



US00D931501S

(12) **United States Design Patent** (10) **Patent No.:** **US D931,501 S**
Xu (45) **Date of Patent:** **** Sep. 21, 2021**

(54) **LED LAMP**

(56) **References Cited**

(71) Applicant: **SHENZHEN SNC OPTO ELECTRONIC CO., LTD.**, Shenzhen (CN)

(72) Inventor: **Jianjun Xu**, Shenzhen (CN)

(73) Assignee: **SHENZHEN SNC OPTO ELECTRONIC CO., LTD.**, Shenzhen (CN)

(**) Term: **15 Years**

(21) Appl. No.: **29/744,732**

(22) Filed: **Jul. 31, 2020**

(30) **Foreign Application Priority Data**

Jul. 22, 2020 (CN) 202030402778.1

(51) **LOC (13) Cl.** **26-04**

(52) **U.S. Cl.**
USPC **D26/2**

(58) **Field of Classification Search**
USPC D26/1-11
CPC H01R 5/00; H01R 13/46; H01R 13/514;
H01R 31/048; H01R 31/02; H01J 5/00;
H01J 5/16; H01J 1/02; H01J 15/00; H01J
5/48; H01J 5/50; H01J 19/54; F21V 5/00;
F21K 9/00; F21K 13/00

See application file for complete search history.

U.S. PATENT DOCUMENTS

D553,266 S * 10/2007 Maxik D26/2
D566,300 S * 4/2008 Lo D26/2
D584,838 S * 1/2009 To D26/2
D646,802 S * 10/2011 Guohui D26/2
D695,426 S * 12/2013 Tu D26/2

* cited by examiner

Primary Examiner — Marcus A Jackson

(57) **CLAIM**

The ornamental design for an LED lamp, as shown and described.

DESCRIPTION

FIG. 1 is a perspective view of an LED lamp showing my new design;

FIG. 2 is another perspective view of the LED lamp shown in FIG. 1;

FIG. 3 is a front elevational view thereof;

FIG. 4 is a rear elevational view thereof;

FIG. 5 is a left side elevational view thereof;

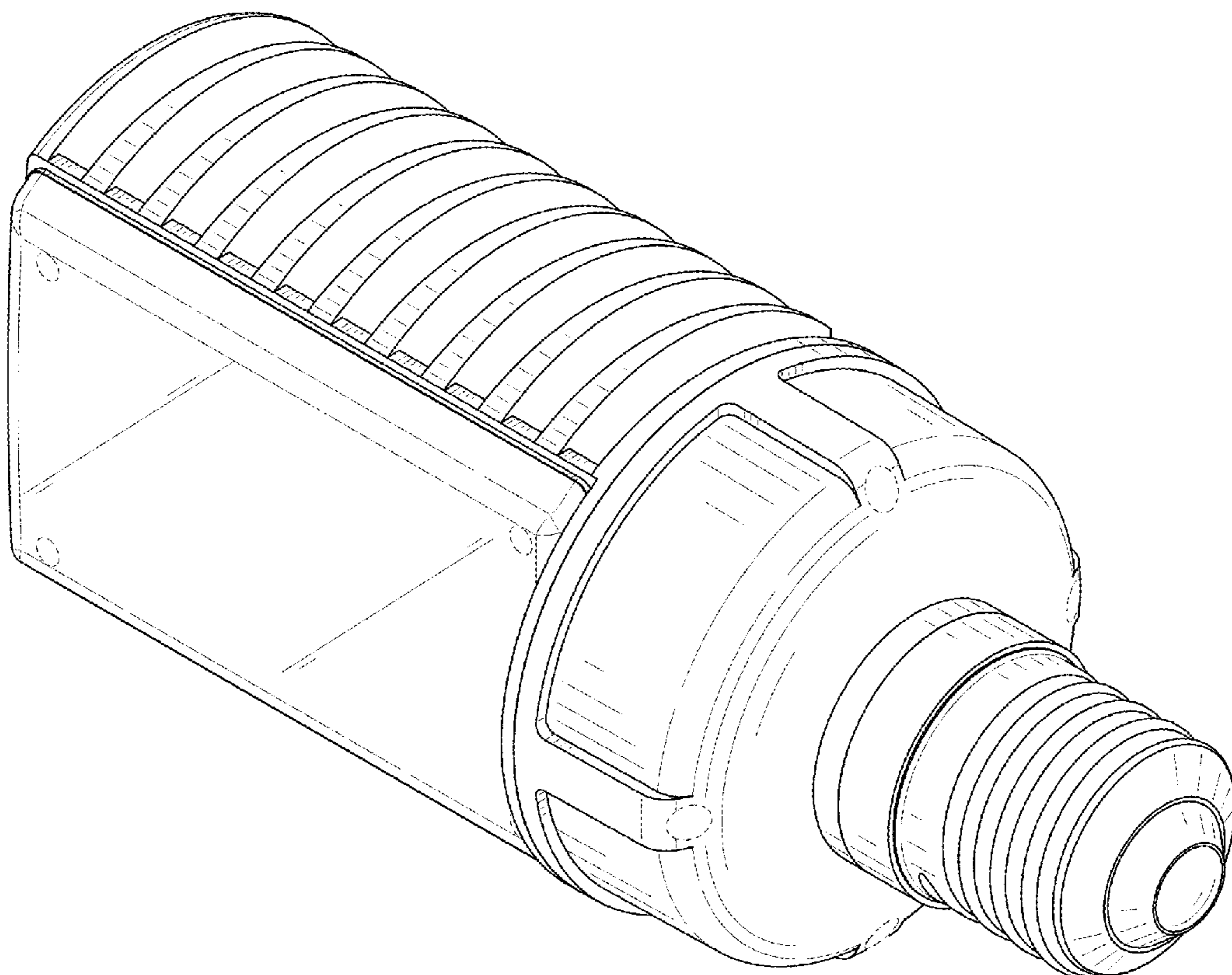
FIG. 6 is a right side elevational view thereof;

FIG. 7 is a top plan view thereof; and,

FIG. 8 is a bottom plan view thereof.

The broken lines in the drawings depict portions of the LED lamp that form no part of the claimed design.

1 Claim, 8 Drawing Sheets



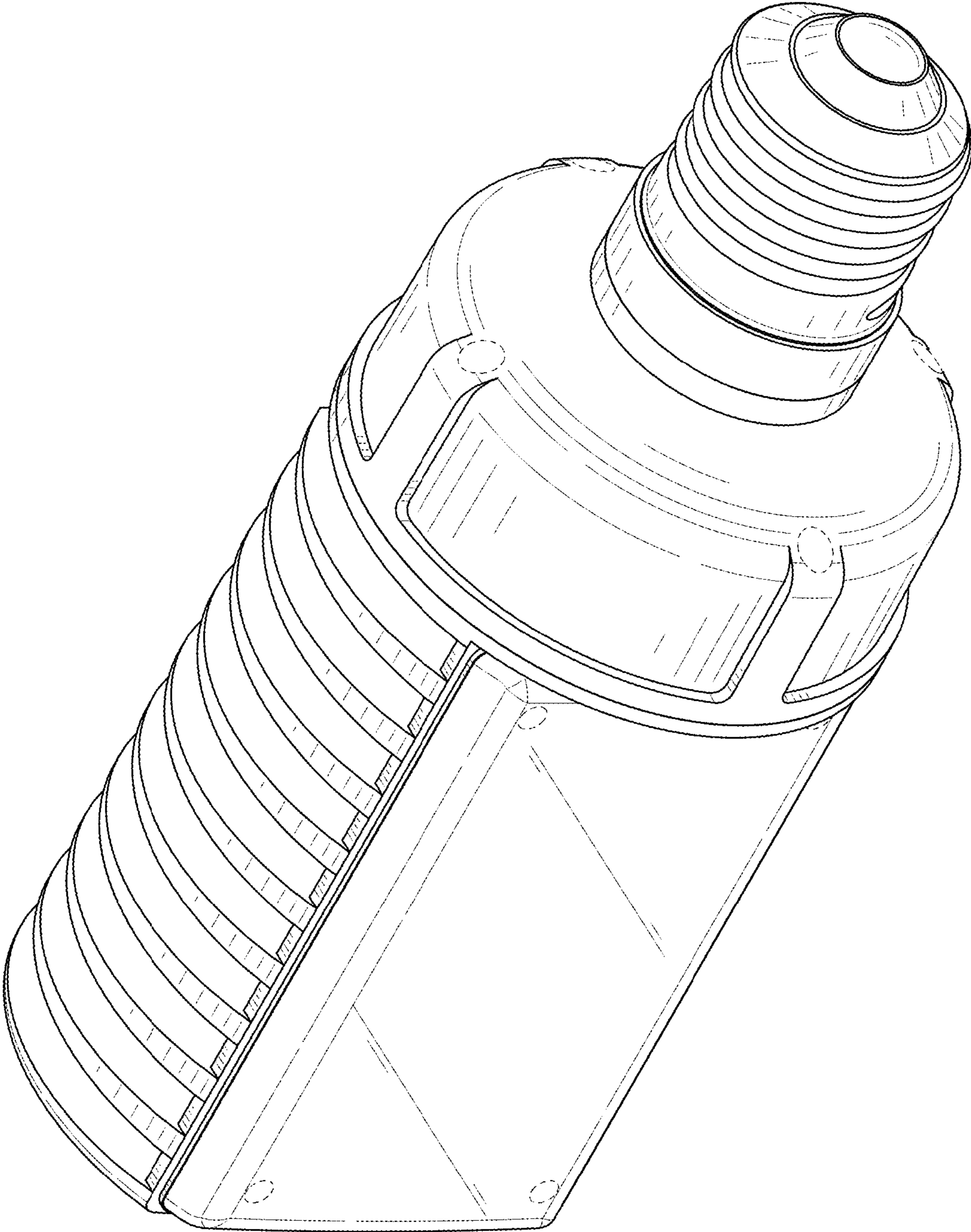


FIG. 1

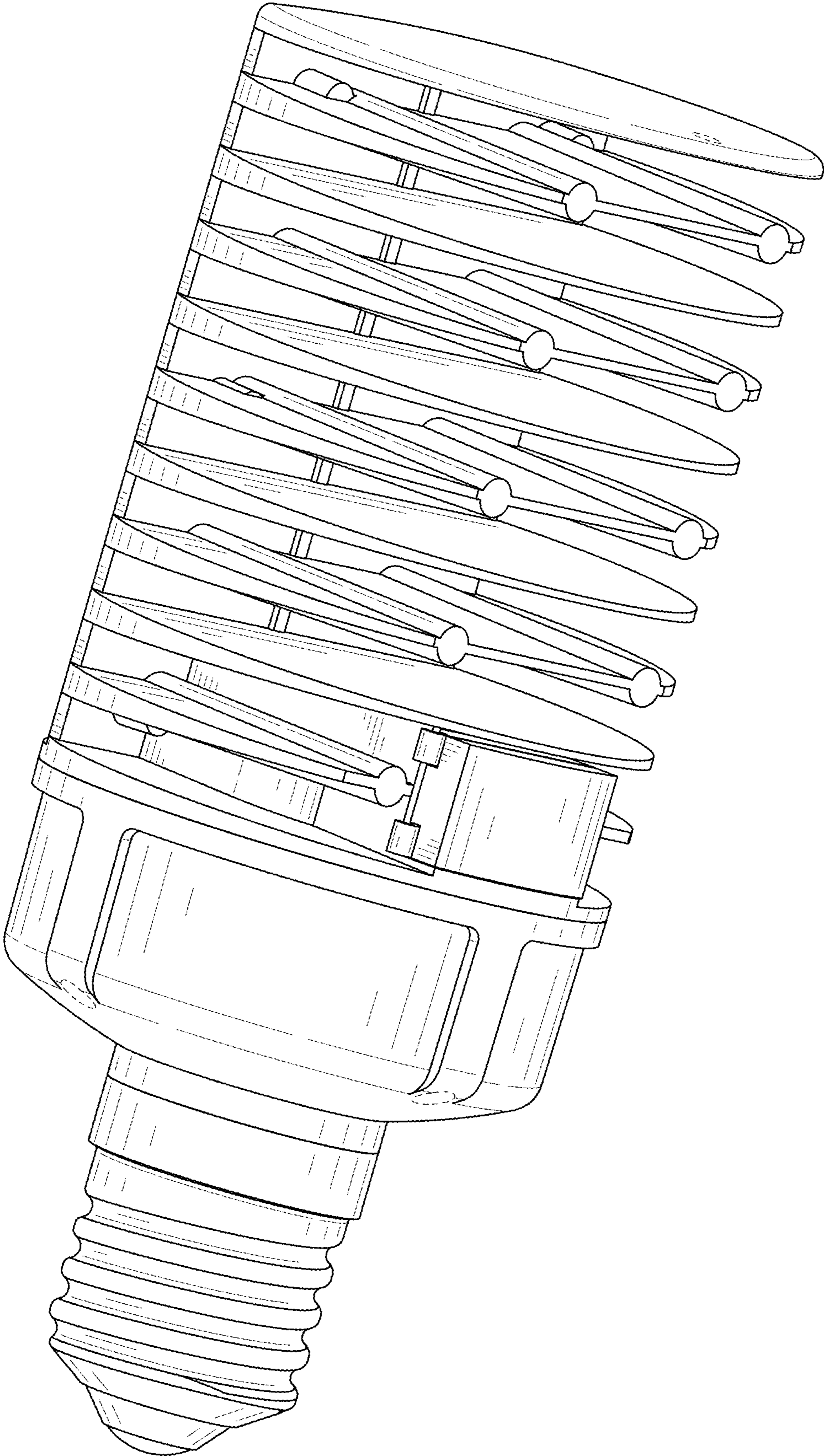


FIG. 2

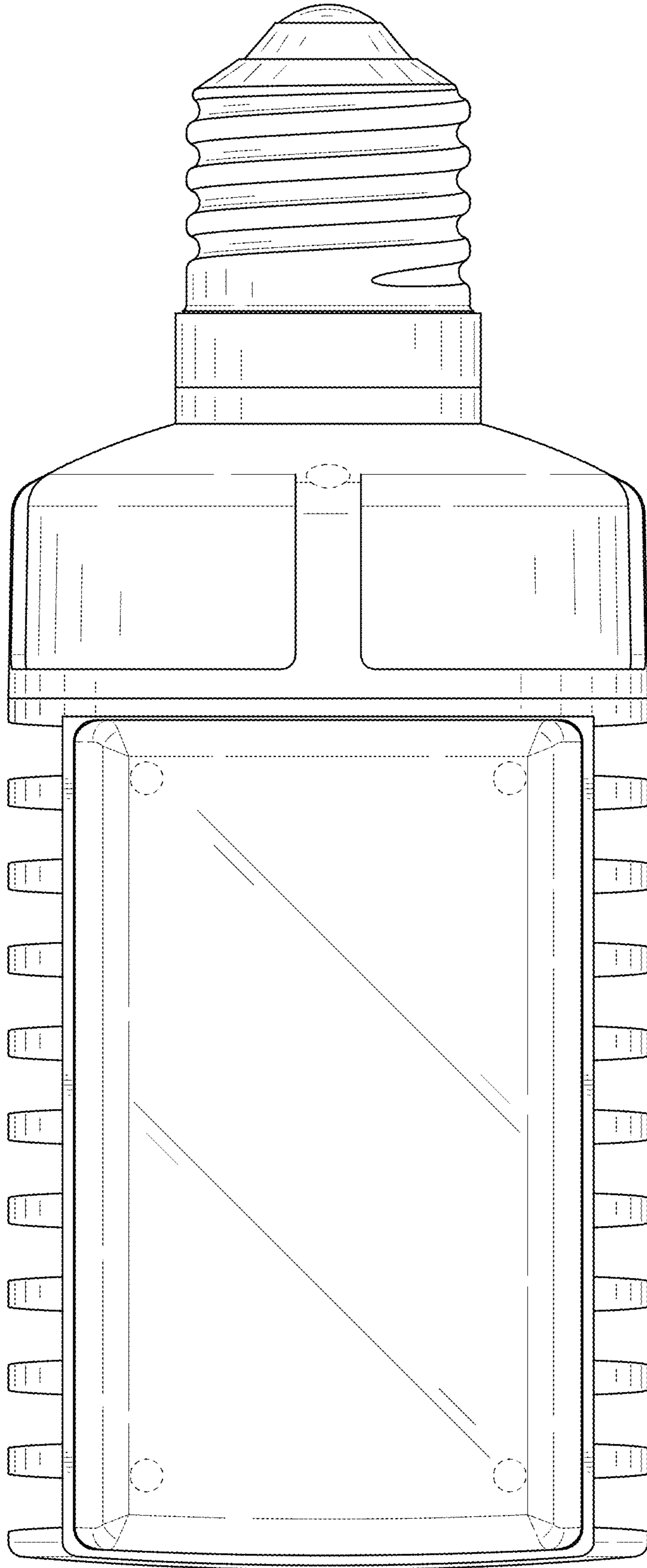


FIG. 3

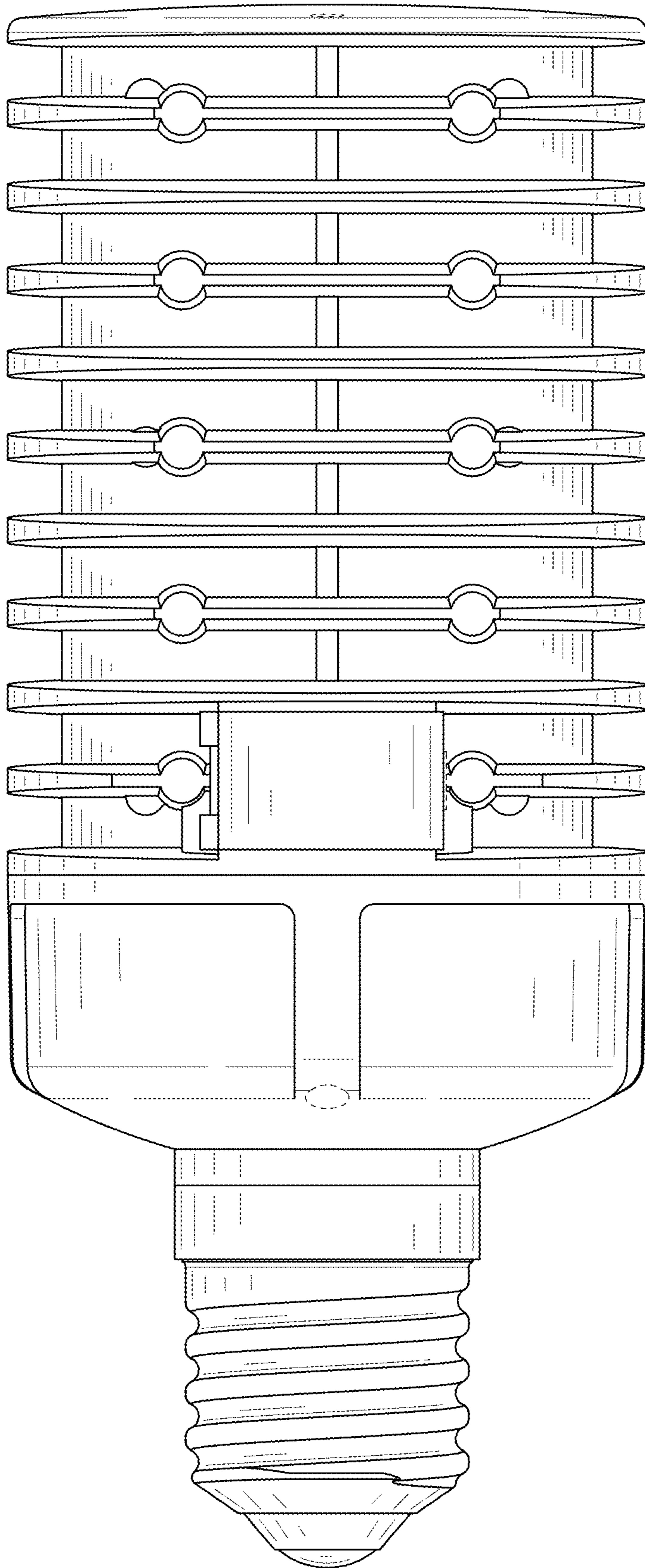


FIG. 4

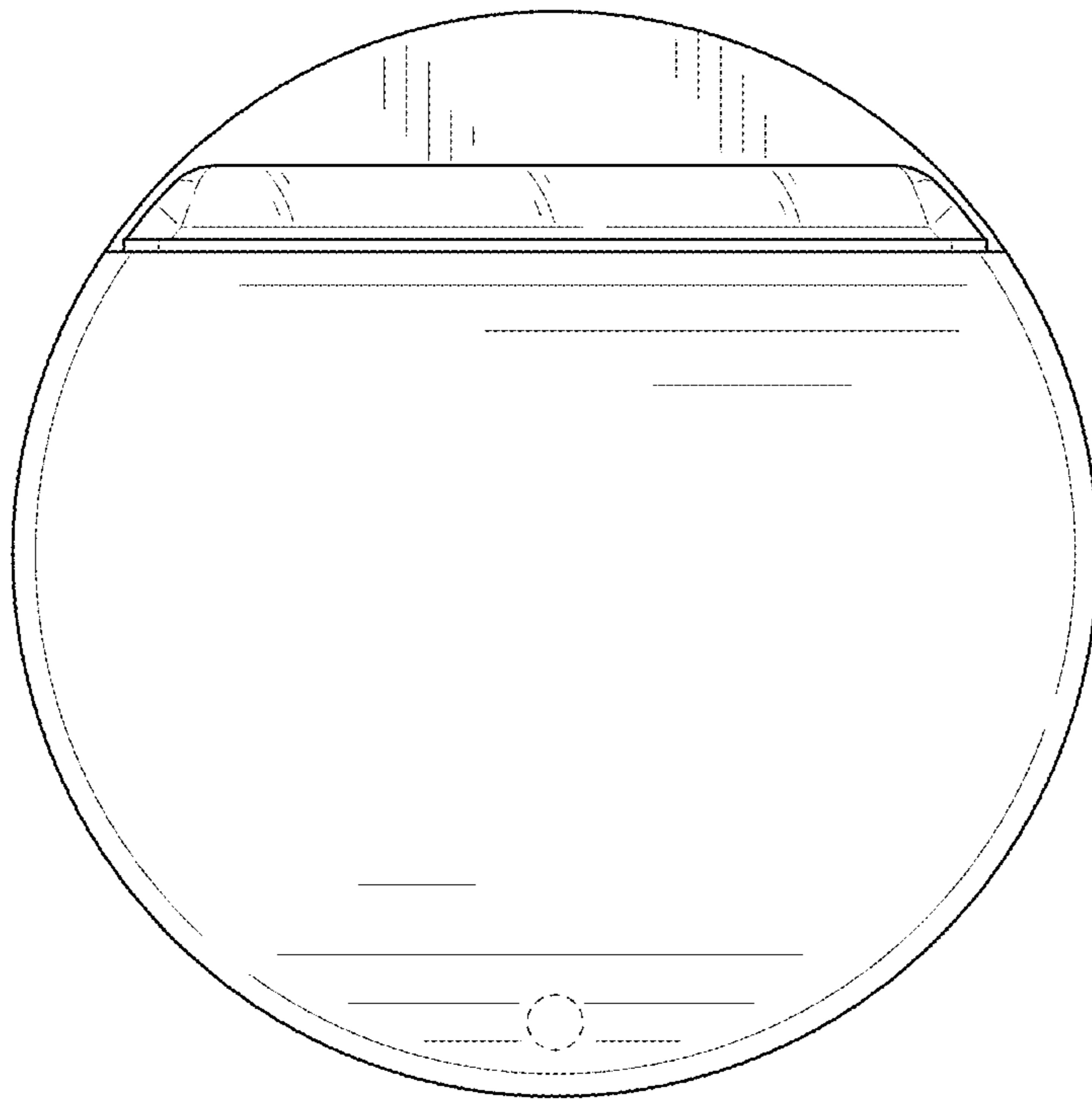


FIG. 5

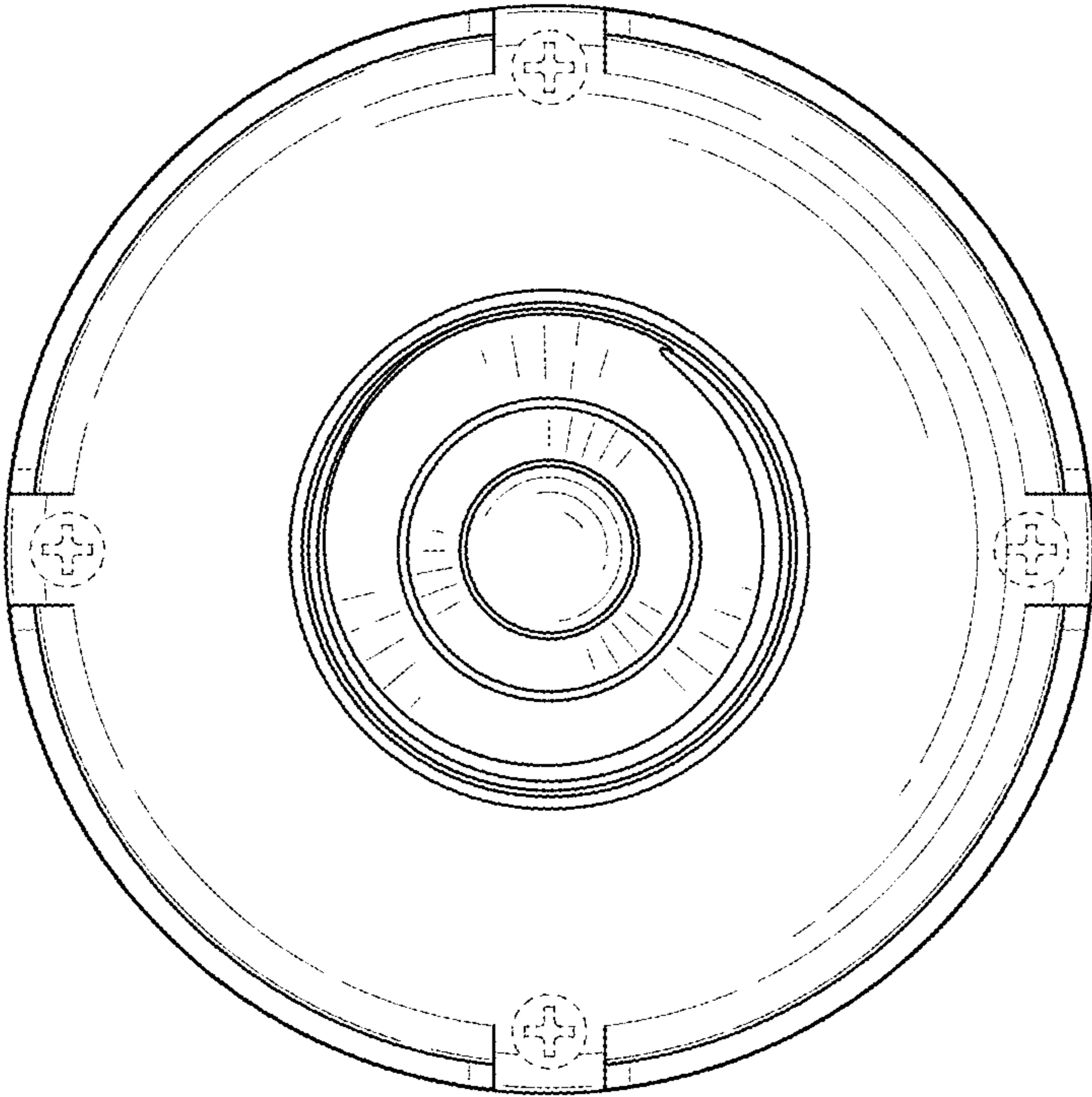


FIG. 6

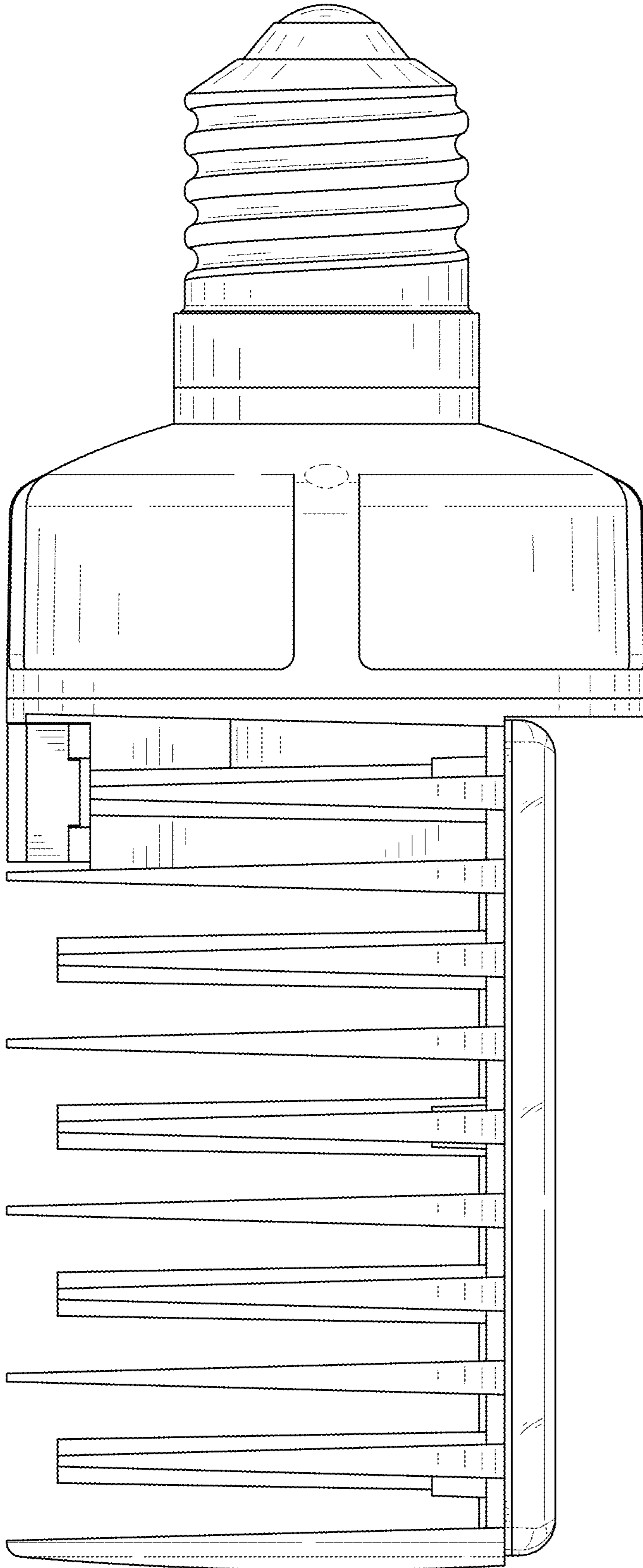


FIG. 7

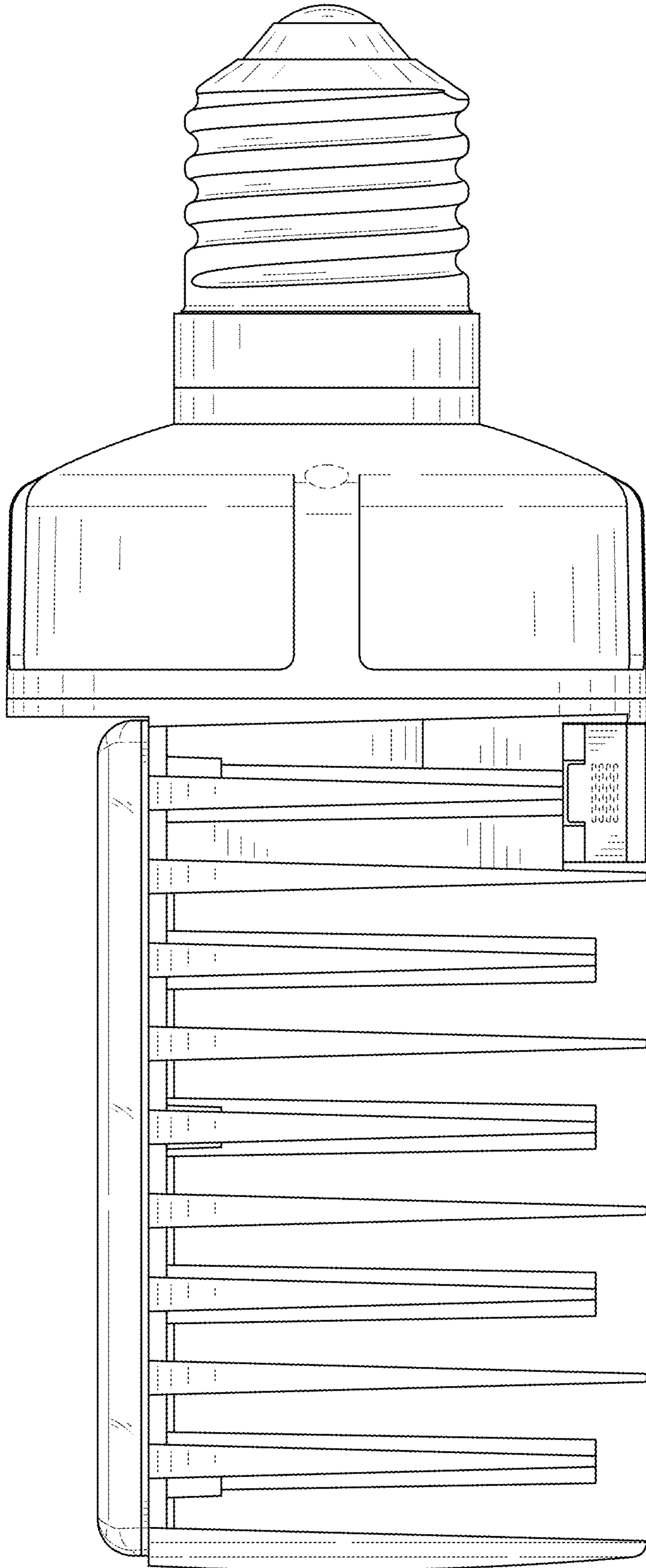


FIG. 8