



US00D931500S

(12) **United States Design Patent** (10) **Patent No.:** **US D931,500 S**
Xu (45) **Date of Patent:** **** Sep. 21, 2021**

(54) **LED LAMP**

D610,271 S * 2/2010 Bi D26/2
D616,120 S * 5/2010 Wada D26/2
D631,571 S * 1/2011 Bobel D26/2

(71) Applicant: **SHENZHEN SNC OPTO ELECTRONIC CO., LTD.**, Shenzhen (CN)

* cited by examiner

(72) Inventor: **Jianjun Xu**, Shenzhen (CN)

Primary Examiner — Marcus A Jackson

(73) Assignee: **SHENZHEN SNC OPTO ELECTRONIC CO., LTD.**, Shenzhen (CN)

(57) **CLAIM**

The ornamental design for an LED lamp, as shown and described.

(**) Term: **15 Years**

(21) Appl. No.: **29/737,069**

DESCRIPTION

(22) Filed: **Jun. 5, 2020**

(30) **Foreign Application Priority Data**

May 24, 2020 (CN) 202030244783.4

(51) **LOC (13) Cl.** **26-04**

(52) **U.S. Cl.**
USPC **D26/2**

(58) **Field of Classification Search**
USPC D26/1-11
CPC H01R 5/00; H01R 13/46; H01R 13/514;
H01R 31/048; H01R 31/02; H01J 5/00;
H01J 5/16; H01J 1/02; H01J 15/00; H01J
5/48; H01J 5/50; H01J 19/54; F21V 5/00;
F21K 9/00; F21K 13/00

See application file for complete search history.

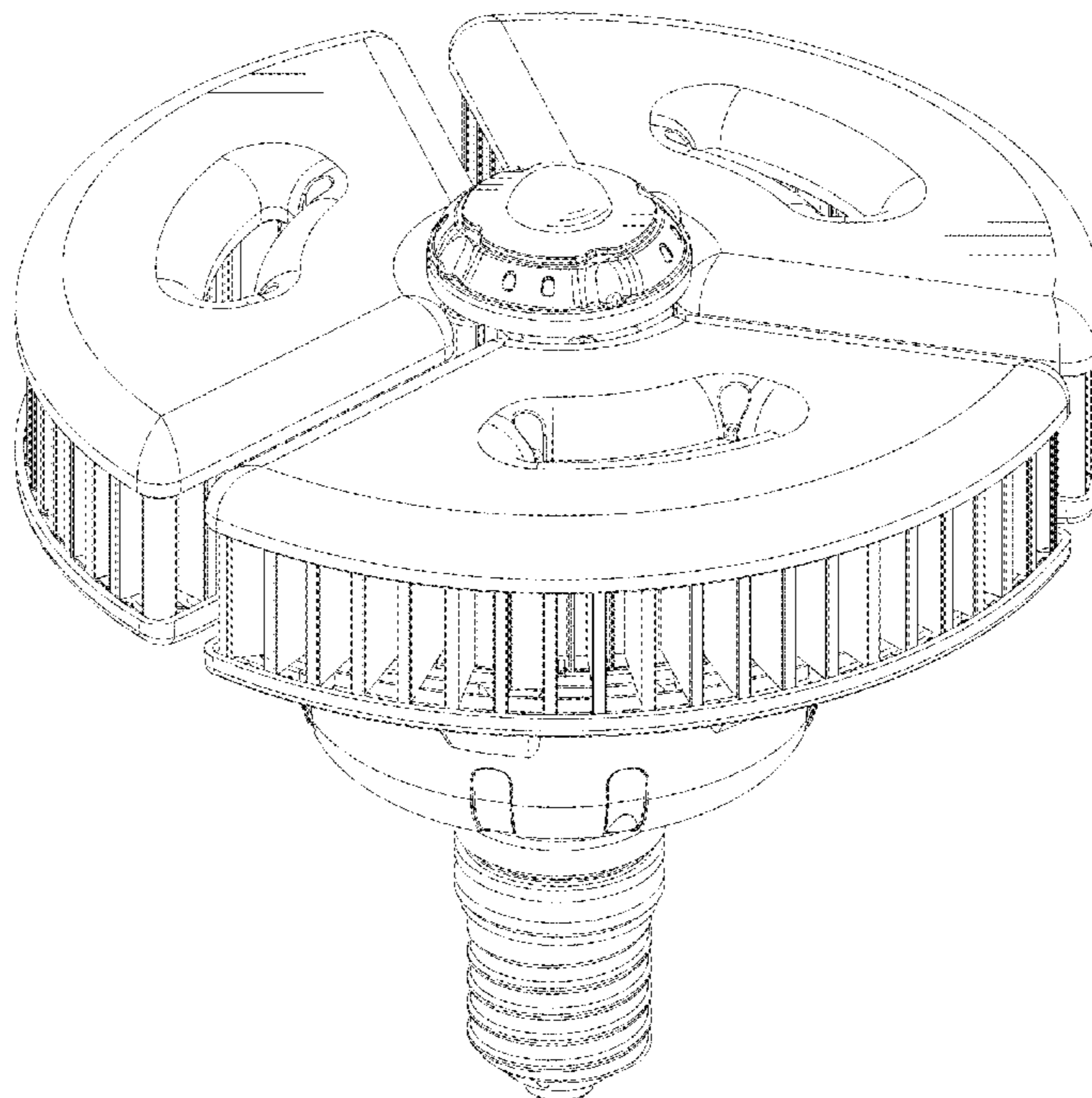
(56) **References Cited**

U.S. PATENT DOCUMENTS

D566,300 S * 4/2008 Lo D26/2
D581,555 S * 11/2008 To D26/2

FIG. 1 is a perspective view of an LED lamp in accordance with a first embodiment showing my new design, and the LED lamp in a first state;
FIG. 2 is a front elevational view thereof;
FIG. 3 is a rear elevational view thereof;
FIG. 4 is a left side elevational view thereof;
FIG. 5 is a right side elevational view thereof;
FIG. 6 is a top plan view thereof;
FIG. 7 is a bottom plan view thereof;
FIG. 8 is a perspective view of the LED lamp in a second state;
FIG. 9 is a perspective view of the LED lamp in accordance with a second embodiment;
FIG. 10 is a front elevational view thereof;
FIG. 11 is a rear elevational view thereof;
FIG. 12 is a left side elevational view thereof;
FIG. 13 is a right side elevational view thereof;
FIG. 14 is a top plan view thereof; and,
FIG. 15 is a bottom plan view thereof.
The broken lines in the drawings depict portions of the LED lamp that form no part of the claimed design.

1 Claim, 15 Drawing Sheets



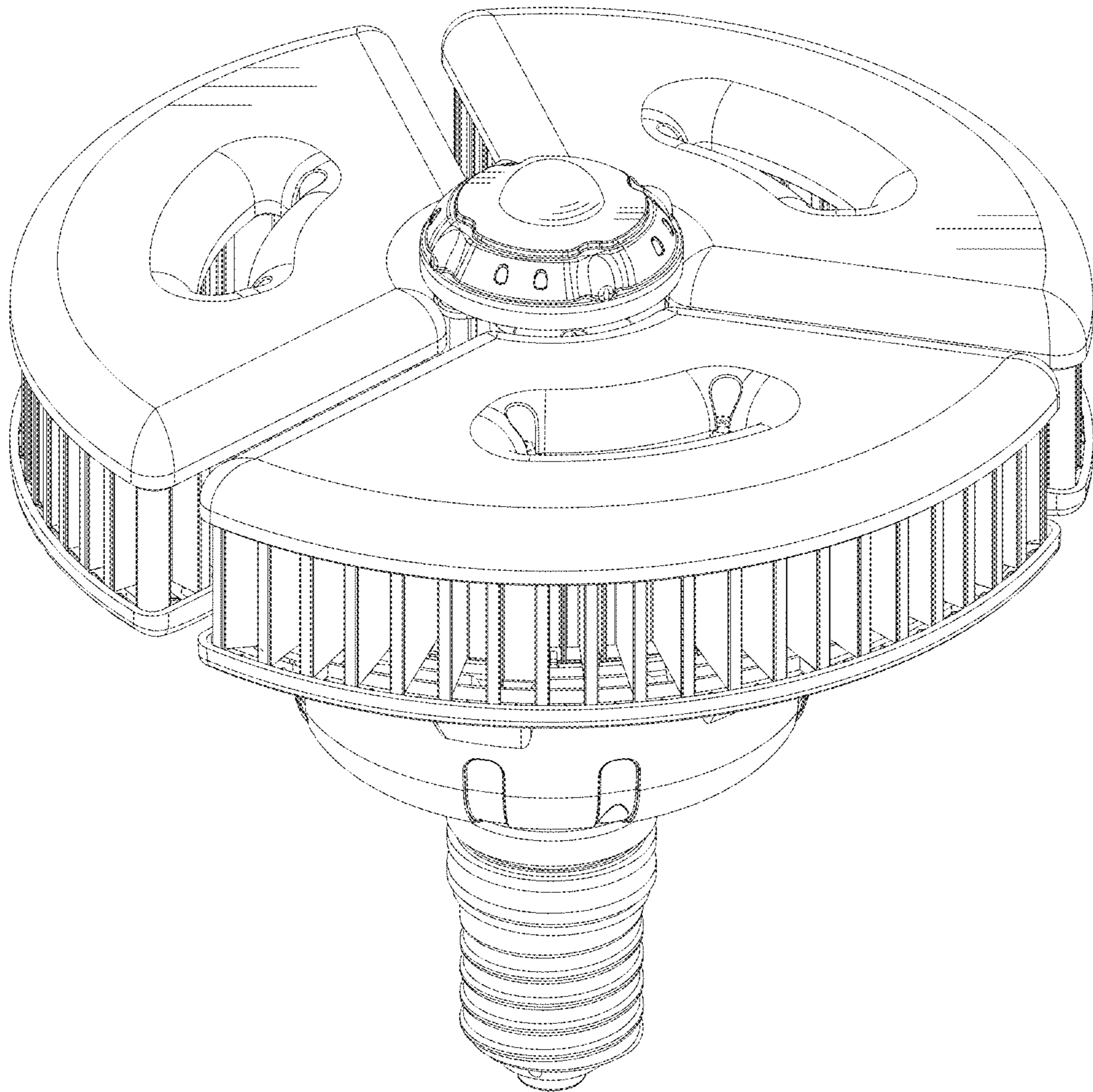


FIG. 1

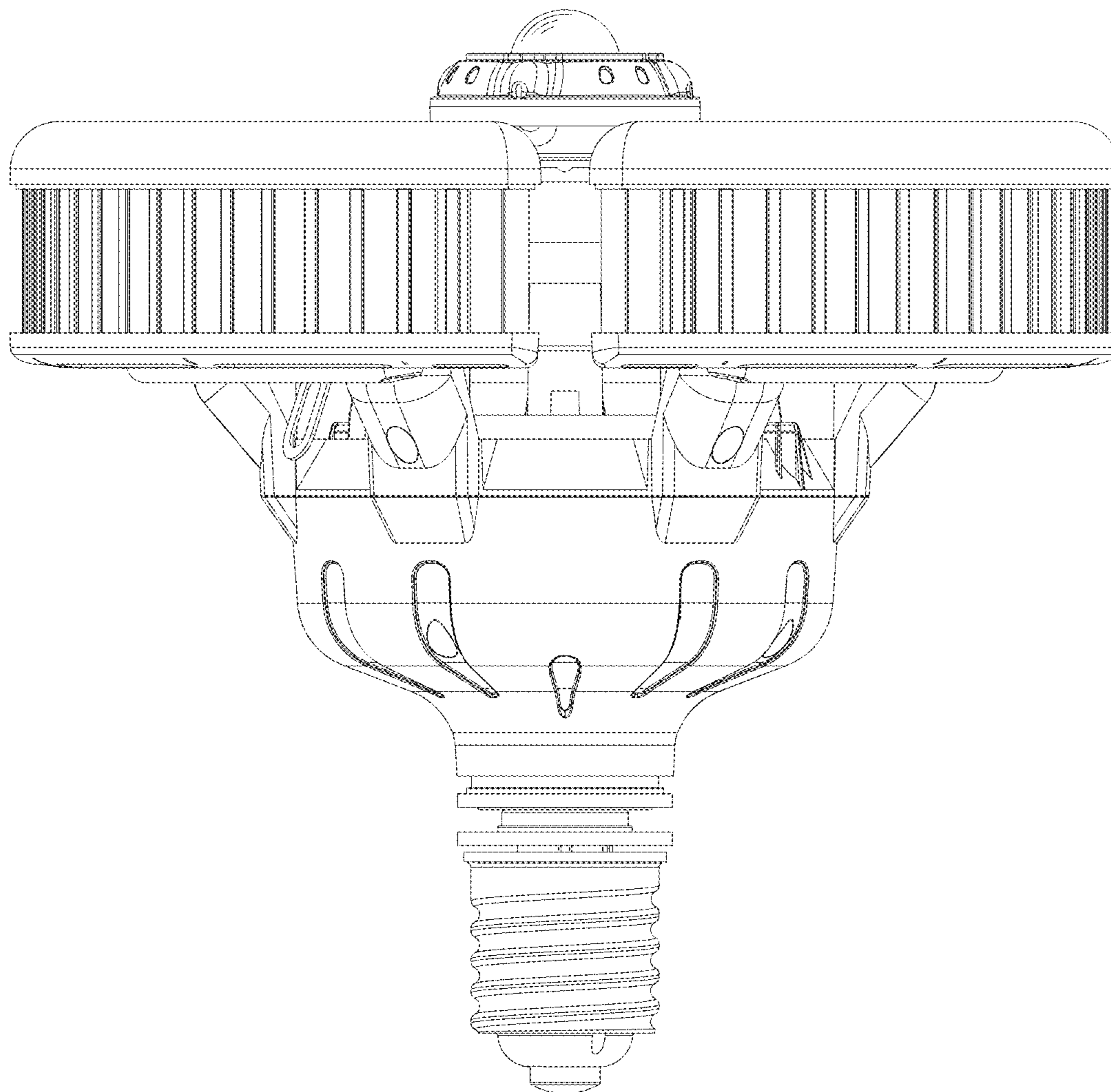


FIG. 2

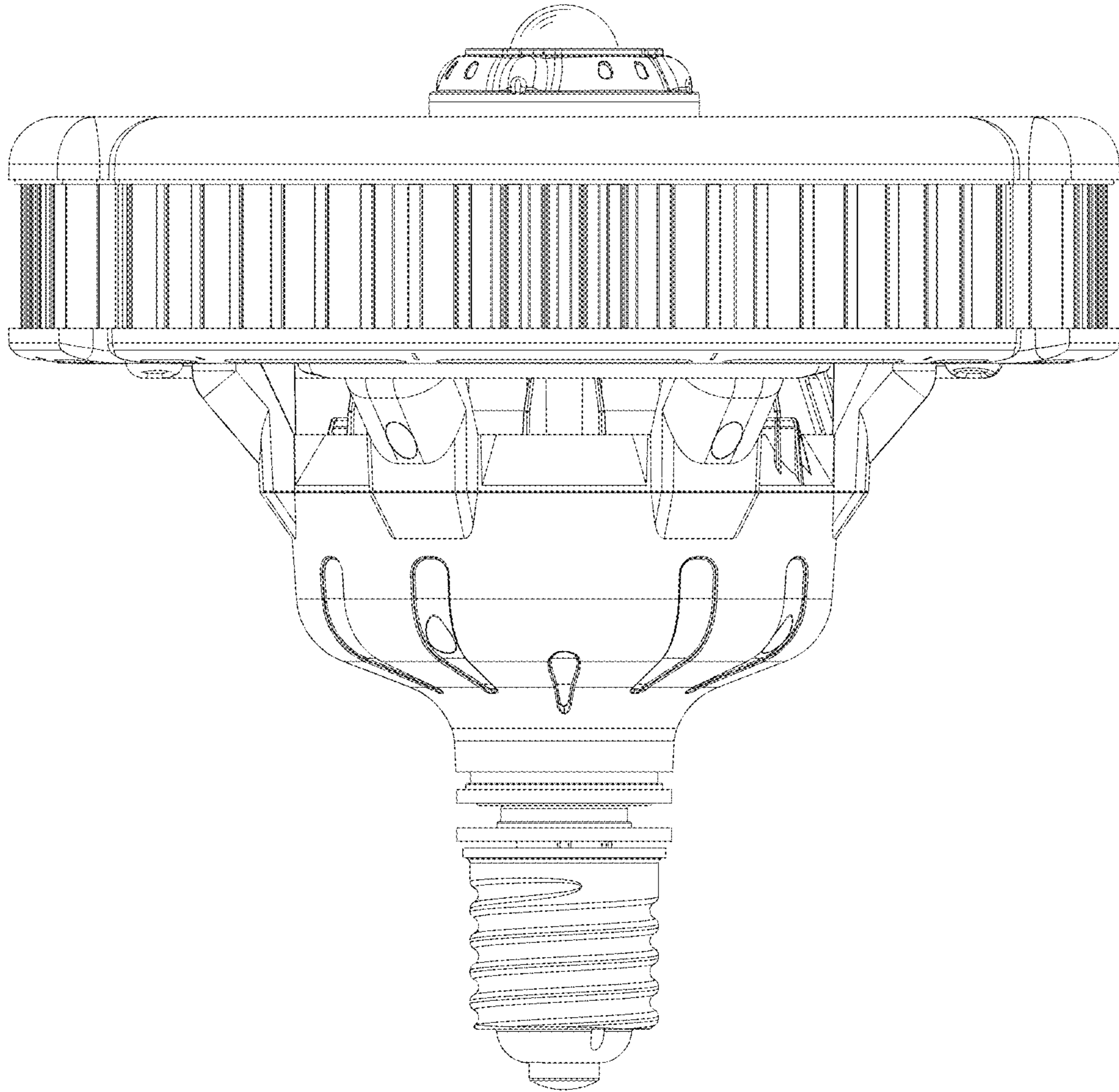


FIG. 3

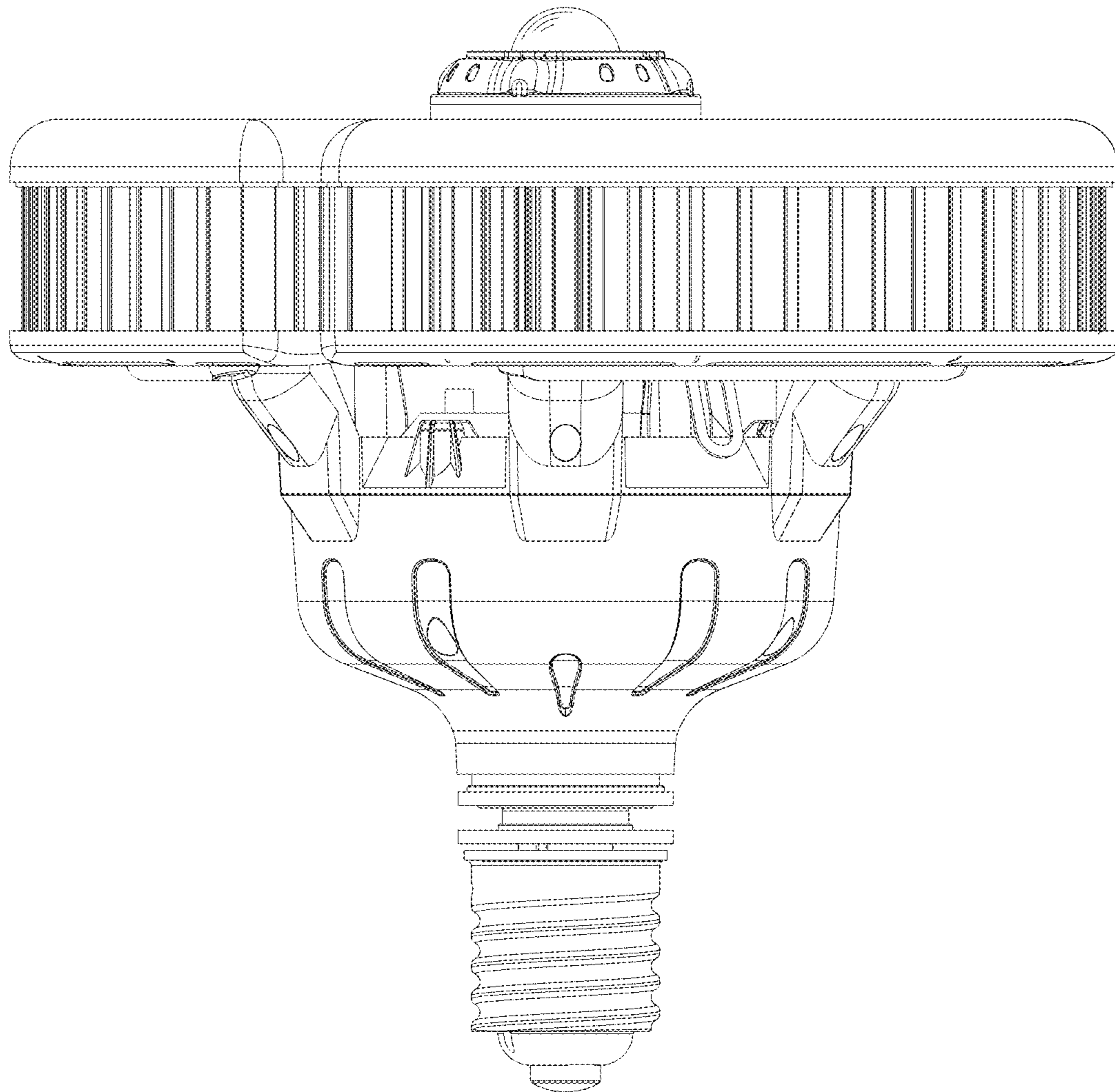


FIG. 4

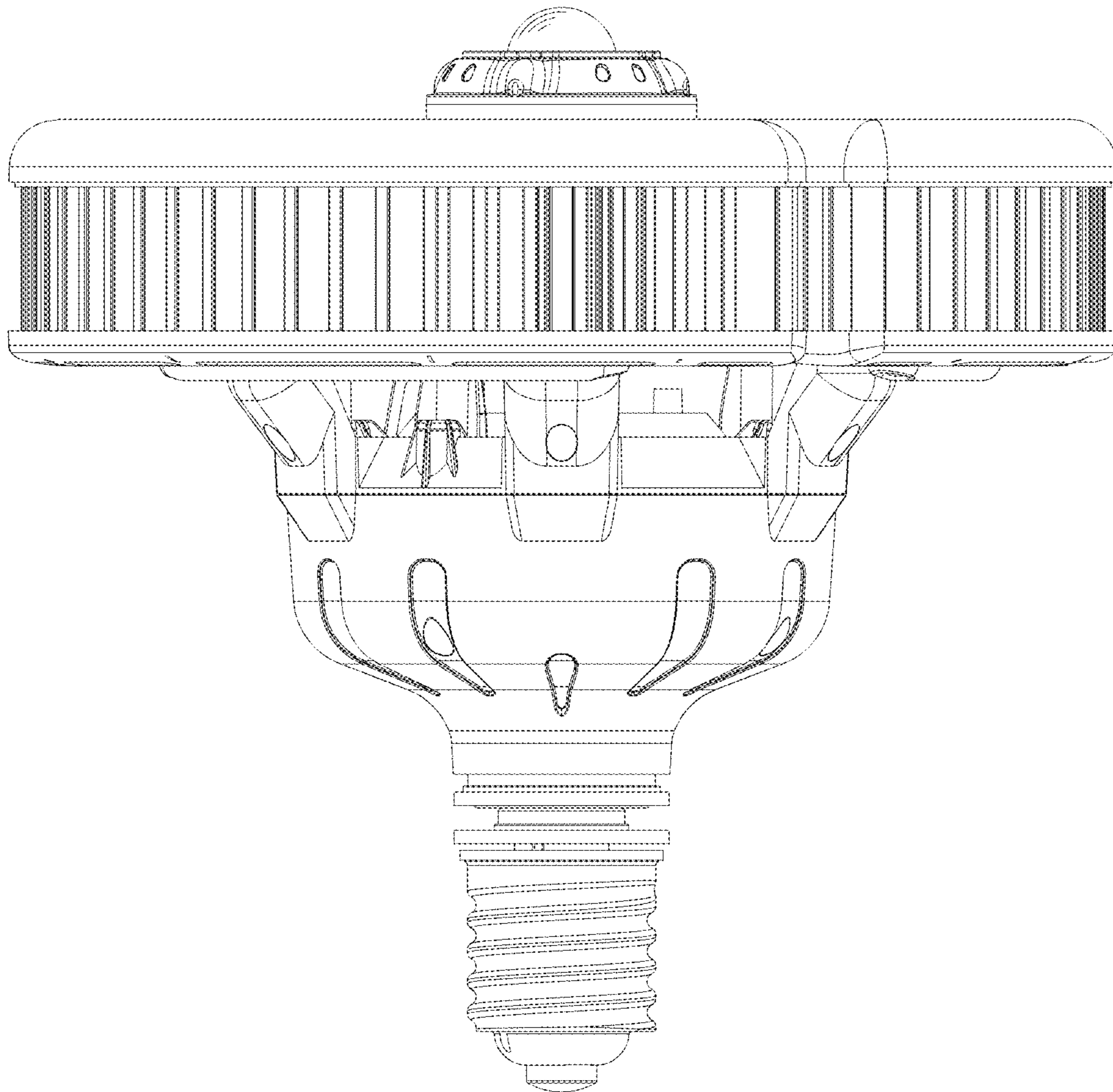


FIG. 5

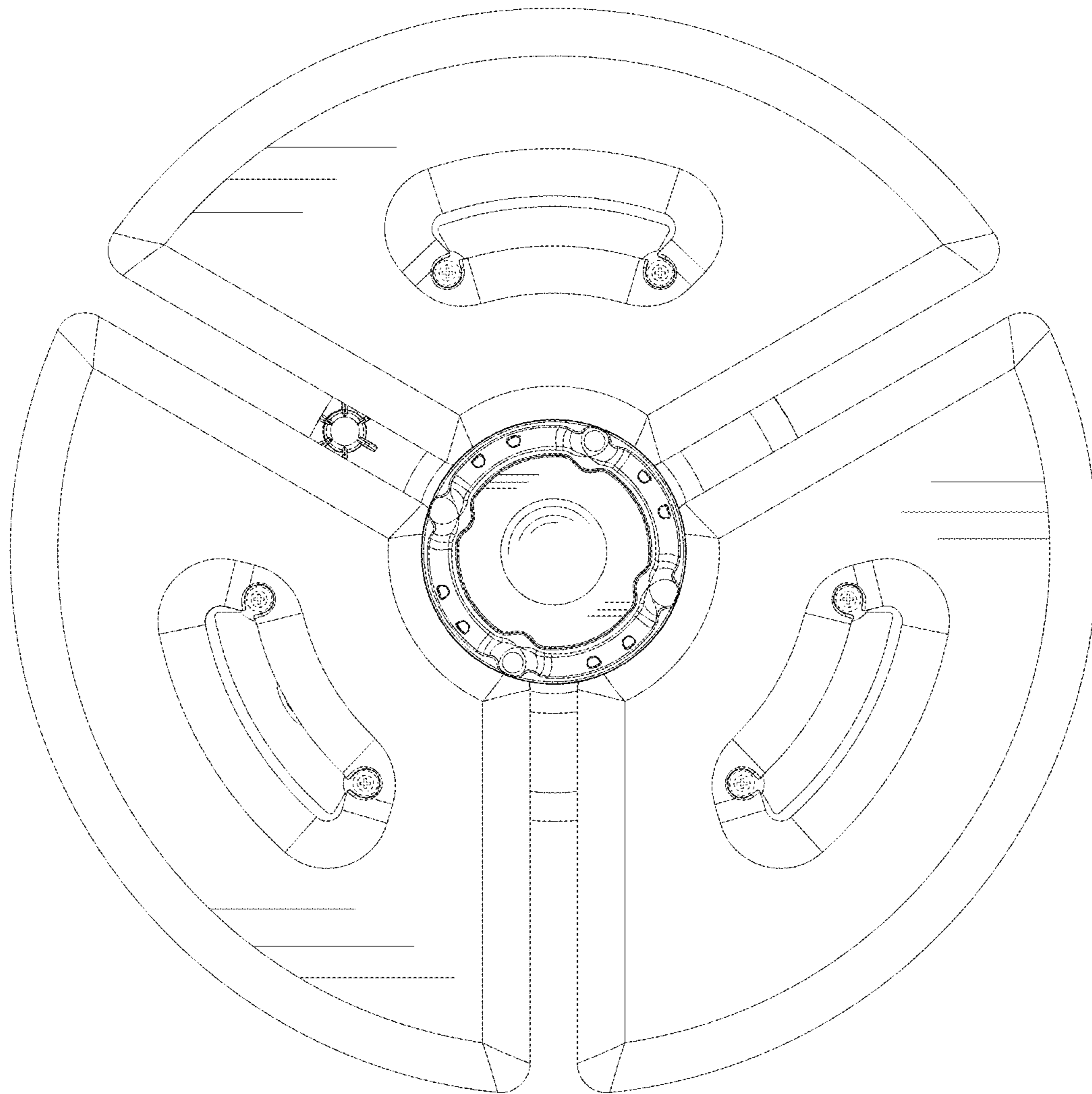


FIG. 6

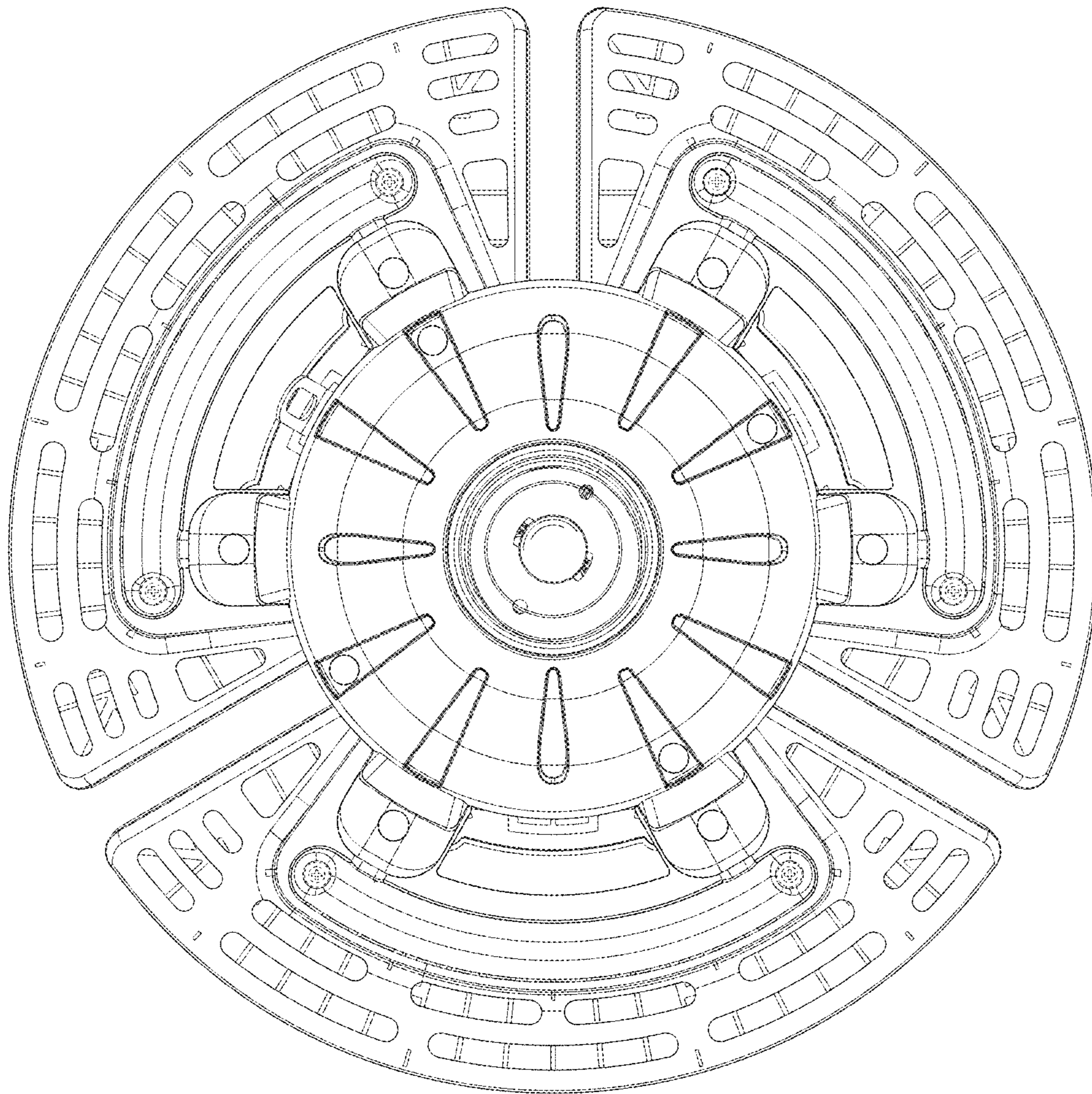


FIG. 7

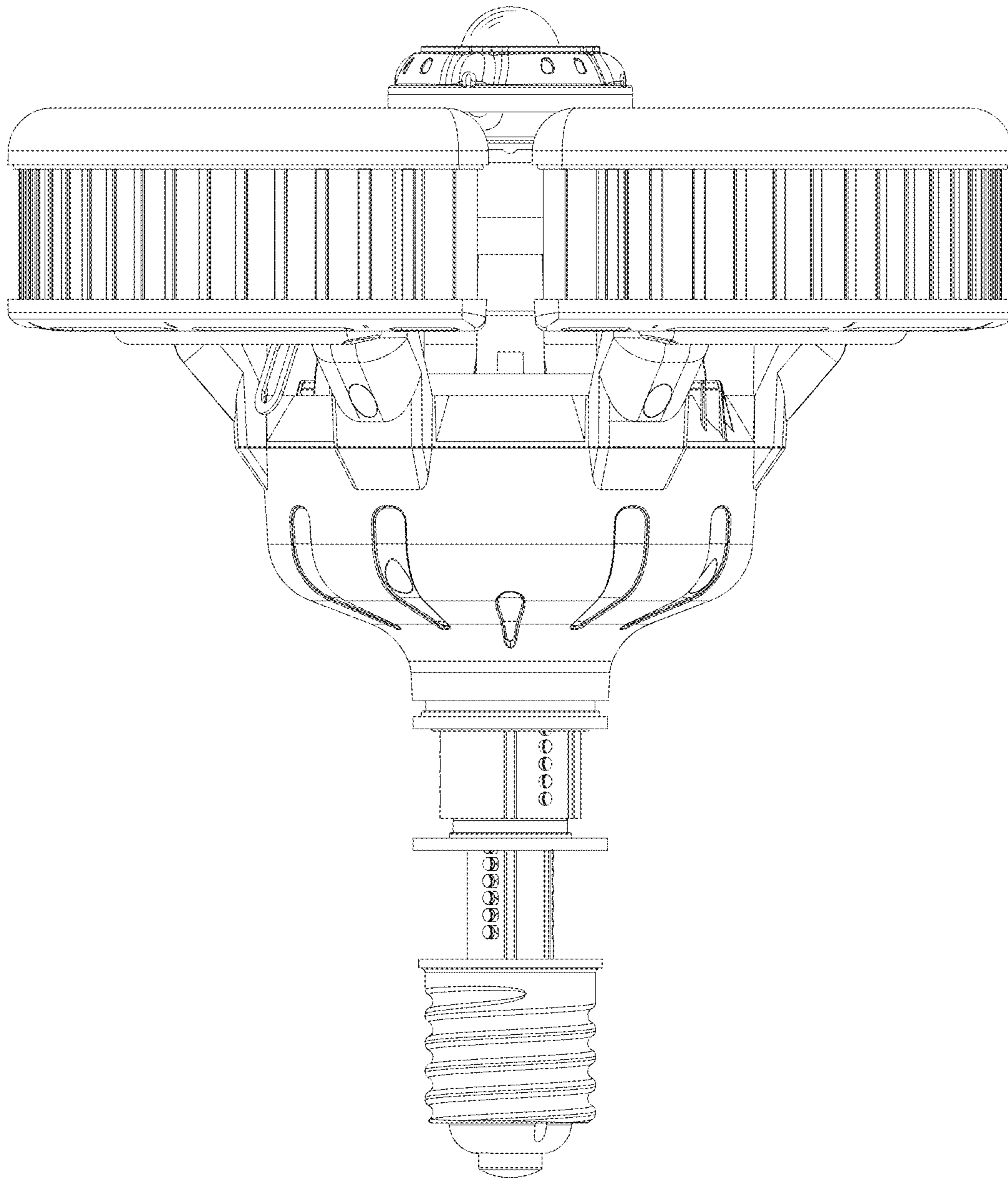


FIG. 8

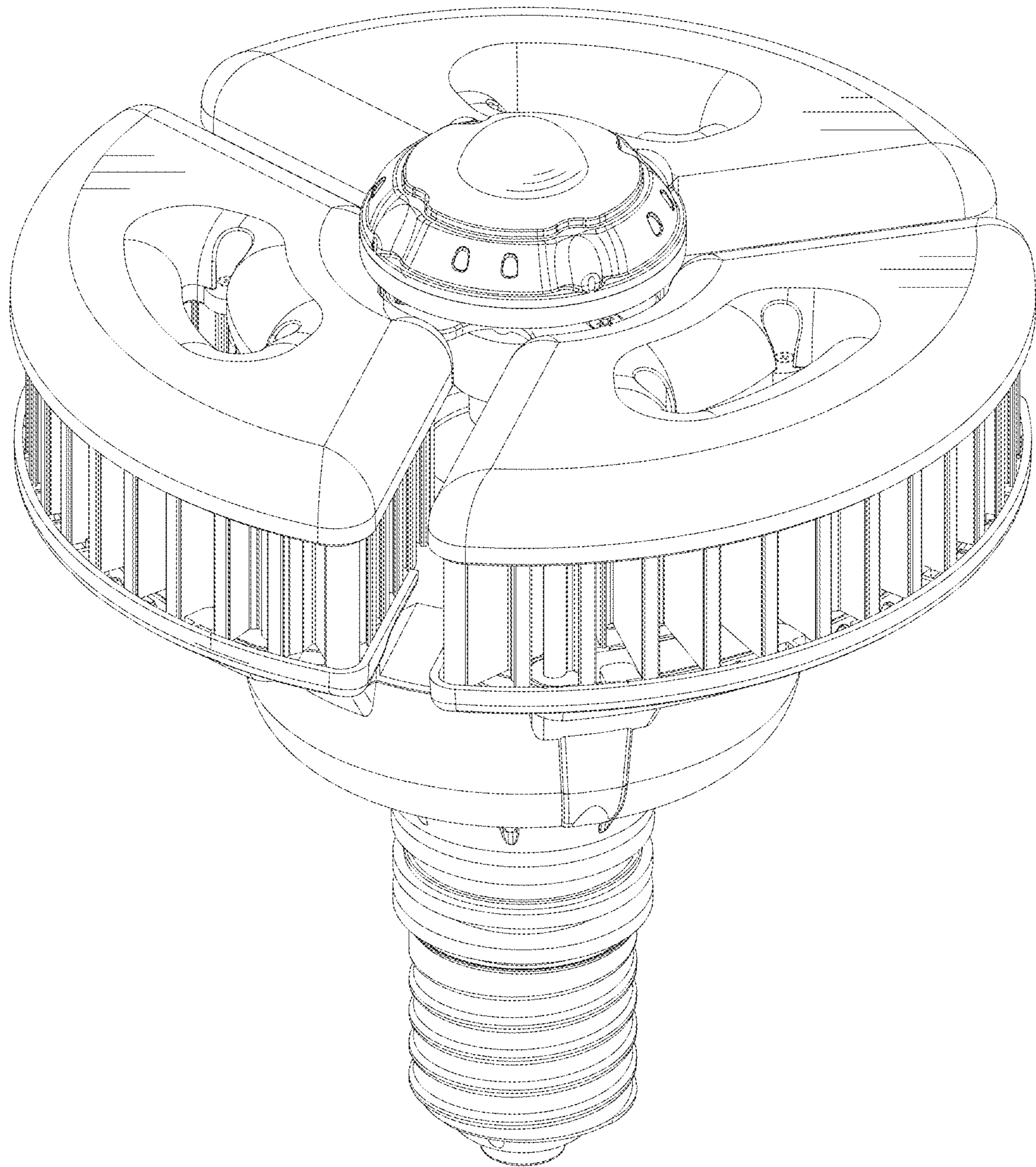


FIG. 9

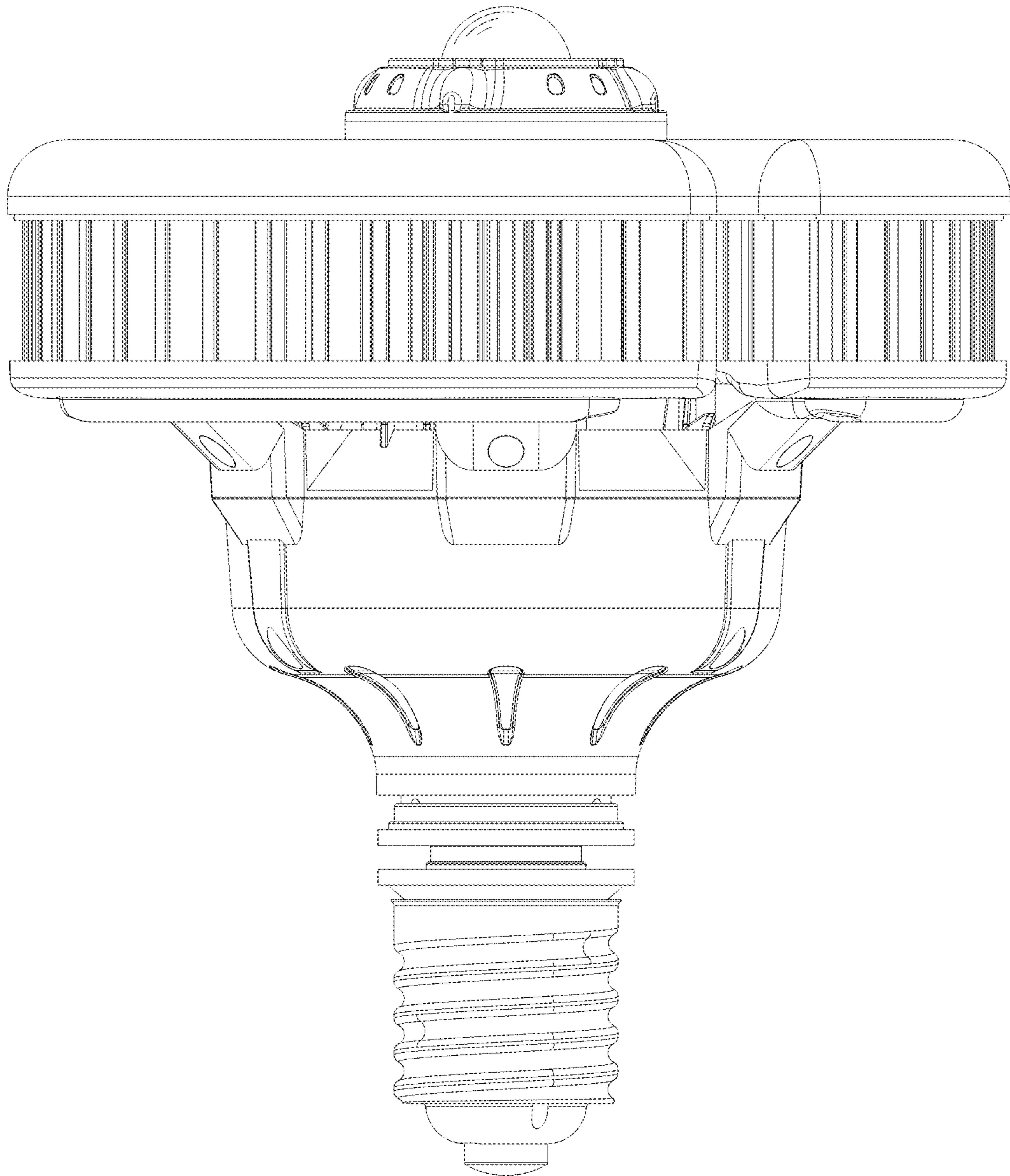


FIG. 10

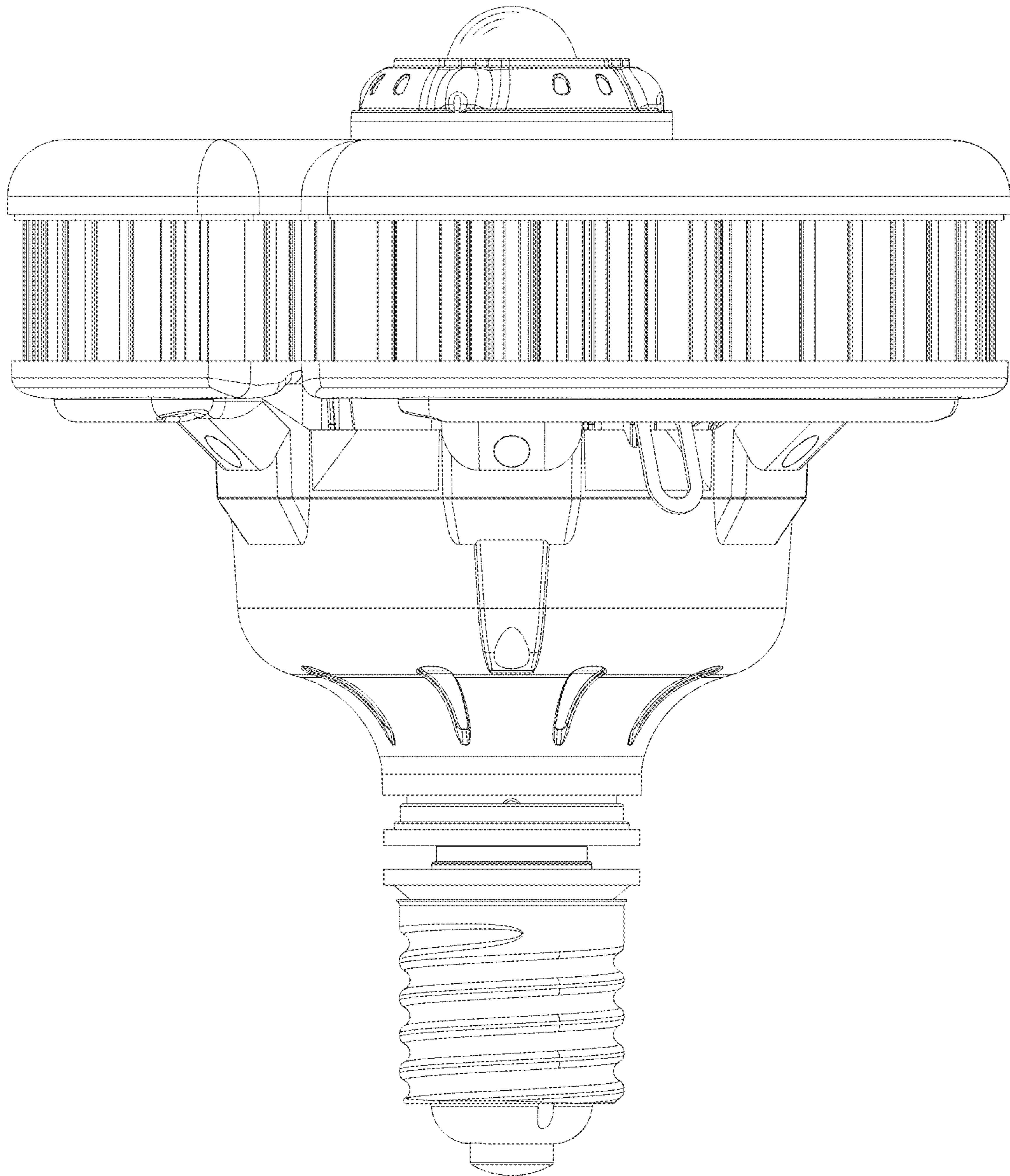


FIG. 11

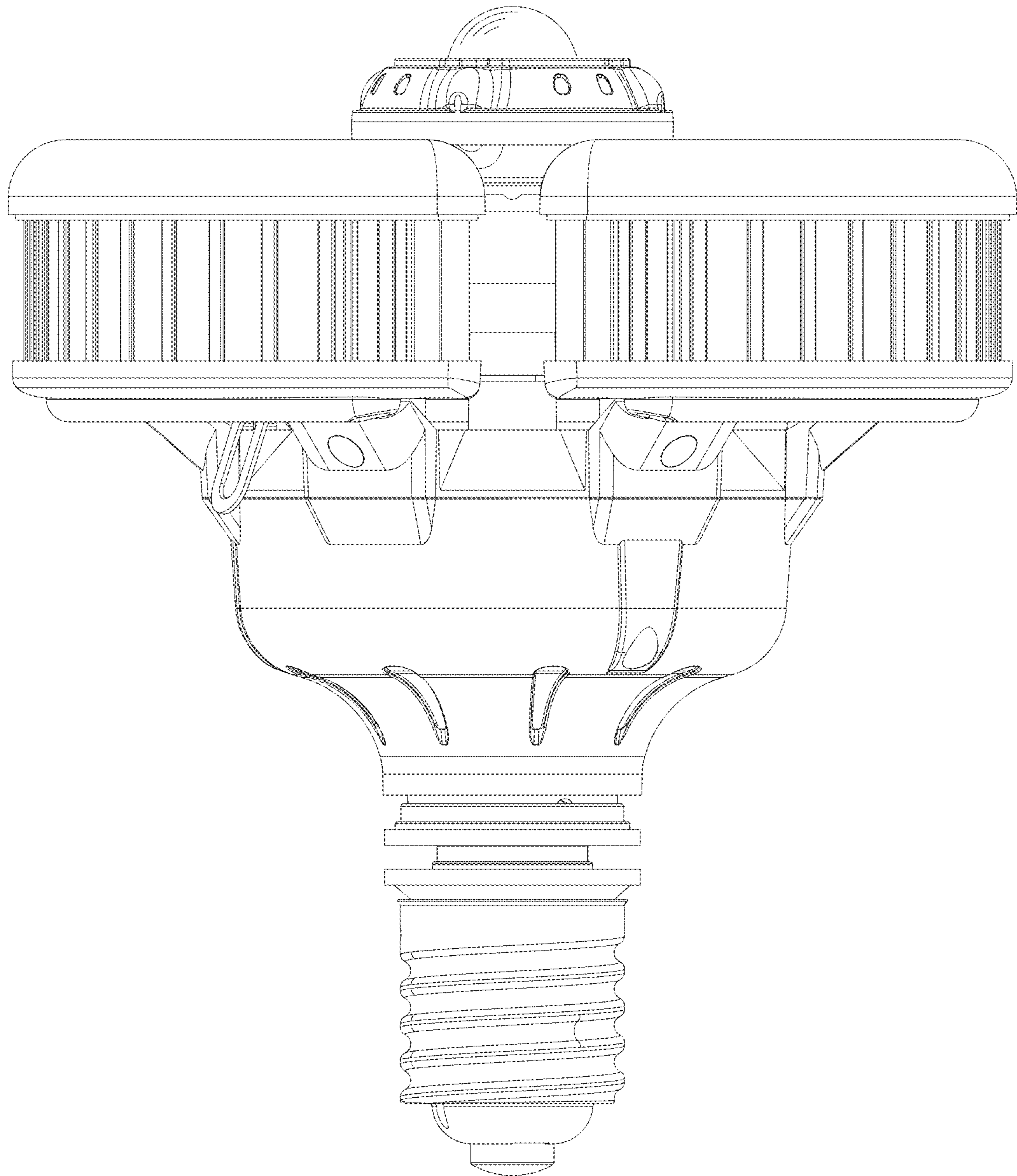


FIG. 12

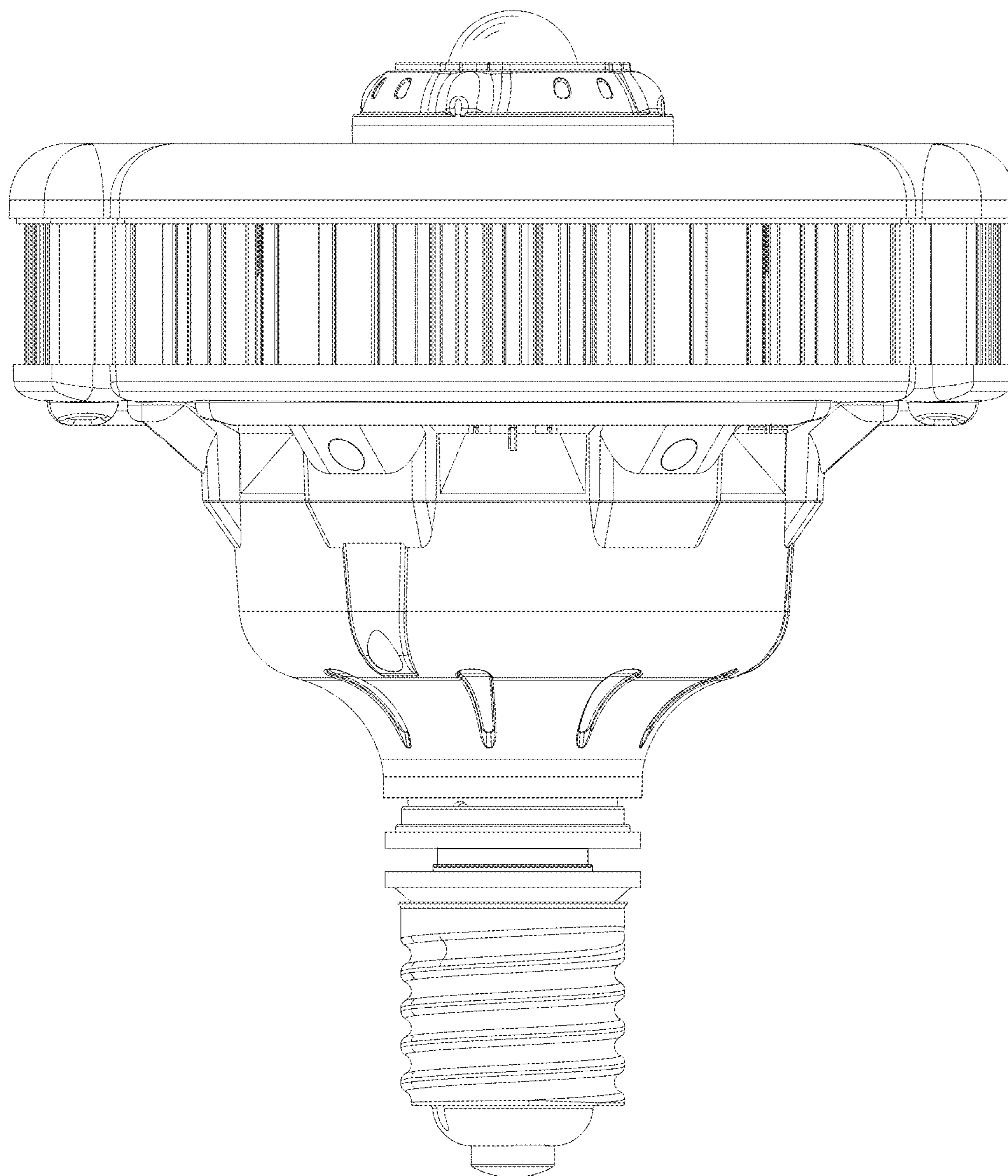


FIG. 13

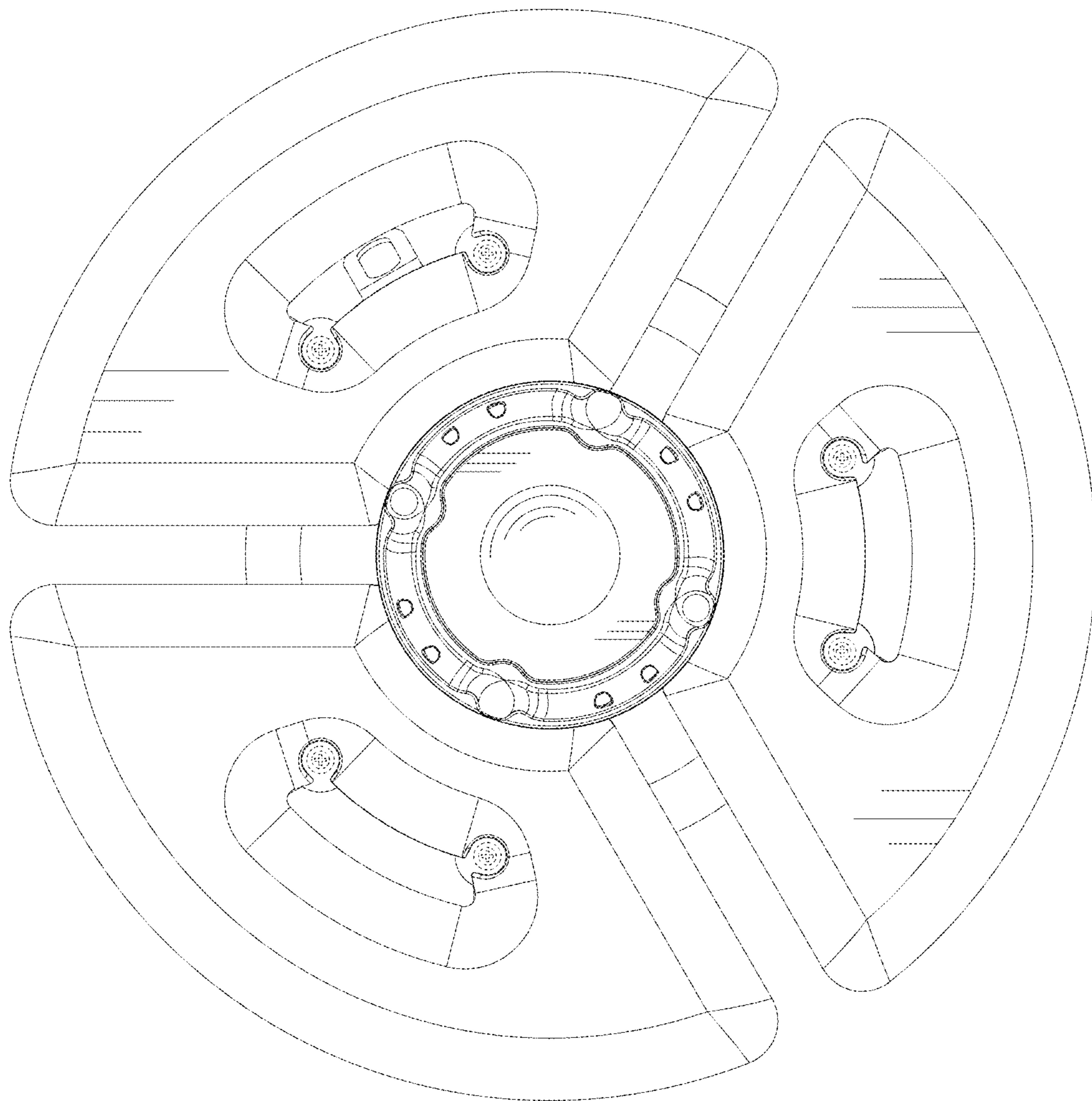


FIG. 14

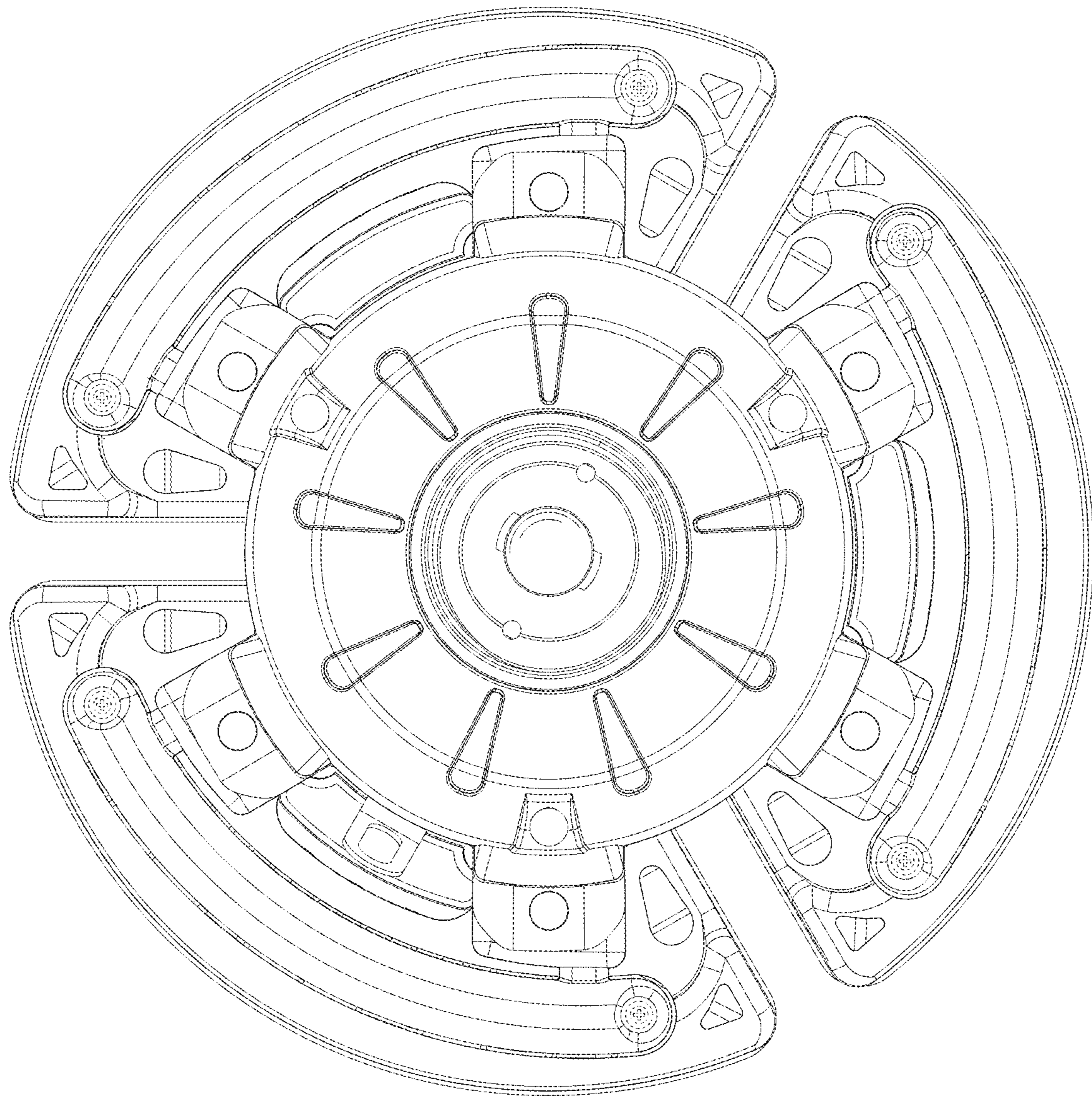


FIG. 15