



US00D931498S

(12) **United States Design Patent**
Cook et al.

(10) **Patent No.:** **US D931,498 S**

(45) **Date of Patent:** **** *Sep. 21, 2021**

(54) **WINDOW WELL EXTENSION**

(71) Applicant: **RockWell LLC**, Springville, UT (US)

(72) Inventors: **Vaughn Allen Cook**, Mapleton, UT (US); **David Wayne Hoagland**, Provo, UT (US); **Rodney William Slade**, Mapleton, UT (US)

(73) Assignee: **ROCKWELL LLC**, Springville, UT (US)

(*) Notice: This patent is subject to a terminal disclaimer.

(**) Term: **15 Years**

(21) Appl. No.: **29/713,876**

(22) Filed: **Nov. 19, 2019**

(51) **LOC (13) Cl.** **25-03**

(52) **U.S. Cl.**
USPC **D25/47.1**

(58) **Field of Classification Search**
USPC **D25/35, 47.1**

(Continued)

(56) **References Cited**

U.S. PATENT DOCUMENTS

3,004,634 A * 10/1961 Evans E04F 17/06
52/107
3,099,900 A * 8/1963 Beck E04F 17/06
52/742.15

(Continued)

FOREIGN PATENT DOCUMENTS

CA 100316 * 2/2003

OTHER PUBLICATIONS

Egress Window Well Photo Gallery Rockwell Window Wells <https://rockwellinc.com/basement-egress-window-wells-gallery/image-gallery> Feb. 2020 (Year: 2020).*

(Continued)

Primary Examiner — Leanne Was-Englehart

(74) *Attorney, Agent, or Firm* — Workman Nydegger

(57) **CLAIM**

The ornamental design for a window well extension, as shown and described.

DESCRIPTION

FIG. 1 is a front left perspective view of a window well extension according to the present invention. The front right perspective view would be a mirror image thereof.

FIG. 2 is a rear left perspective view of the window well extension of FIG. 1. The rear right perspective view would be a mirror image thereof.

FIG. 3 is a top view of the window well extension of FIG. 1.

FIG. 4 is a bottom view of the window well extension of FIG. 1.

FIG. 5 is a rear view of the window well extension of FIG. 1.

FIG. 6 is a front view of the window well extension of FIG. 1.

FIG. 7 is a first side view of the window well extension of FIG. 1.

FIG. 8 is a second, opposite side view of the window well extension of FIG. 1.

FIG. 9 is a rear perspective exploded view of an assembly including the window well extension of FIG. 1, shown with a window well being extended.

FIG. 10 is a rear perspective assembled view of the assembly of FIG. 9.

FIG. 11 is a front perspective view of the assembly of FIG. 10.

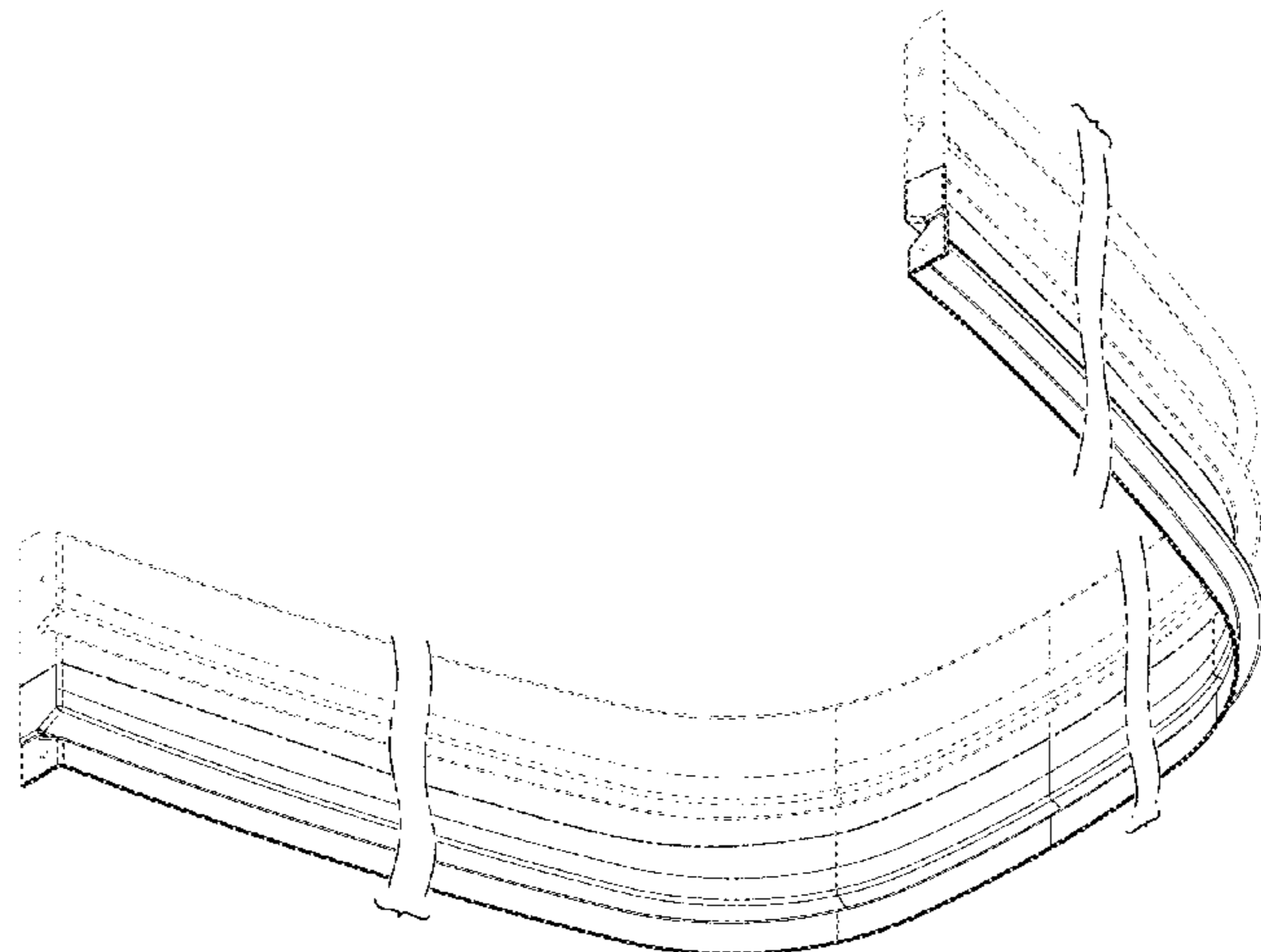
FIG. 12 is a close-up perspective view of the region designated "12" in the assembly of FIG. 10.

FIG. 13 is a close-up perspective view of the region designated "13" in the assembly of FIG. 11; and,

FIG. 14 is a close-up perspective view of the region designated "14" in the assembly of FIG. 11.

The area between the symbolic break lines (dash-dot-dot-dash) forms no part of the claimed design.

(Continued)



US D931,498 S

Page 2

The horizontal dash-dot-dash boundary line is meant to claim that portion of the surface shown in solid lines, up to the dash-dot-dash boundary line.

The dash-dash broken lines depict portions of the window well extension that form no part of the claimed design.

1 Claim, 12 Drawing Sheets

(58) Field of Classification Search

CPC E04F 17/06; B29C 70/345; B29C 70/46;
B29K 2023/12; B29K 2309/08; B29L
2031/10

See application file for complete search history.

(56) References Cited

U.S. PATENT DOCUMENTS

D523,966 S * 6/2006 Kitchen D25/47.1
7,171,786 B2 * 2/2007 George E04F 17/06
52/107

D550,859 S * 9/2007 Oakley D25/47.1
D586,477 S * 2/2009 Kemp D25/47.1
7,549,256 B1 * 6/2009 Watkins E04F 17/06
182/93
7,730,673 B2 * 6/2010 George E04F 17/06
52/107
2005/0115169 A1 * 6/2005 George E04F 17/06
52/107
2005/0252103 A1 * 11/2005 Cook E04F 17/06
52/107
2009/0090160 A1 * 4/2009 Kemp B21D 13/00
72/379.6
2021/0017772 A1 * 1/2021 Cook B29C 70/46

OTHER PUBLICATIONS

Rockwell Denali <https://rockwellinc.com/denali> Jan. 2020 (Year:
2020).*

* cited by examiner

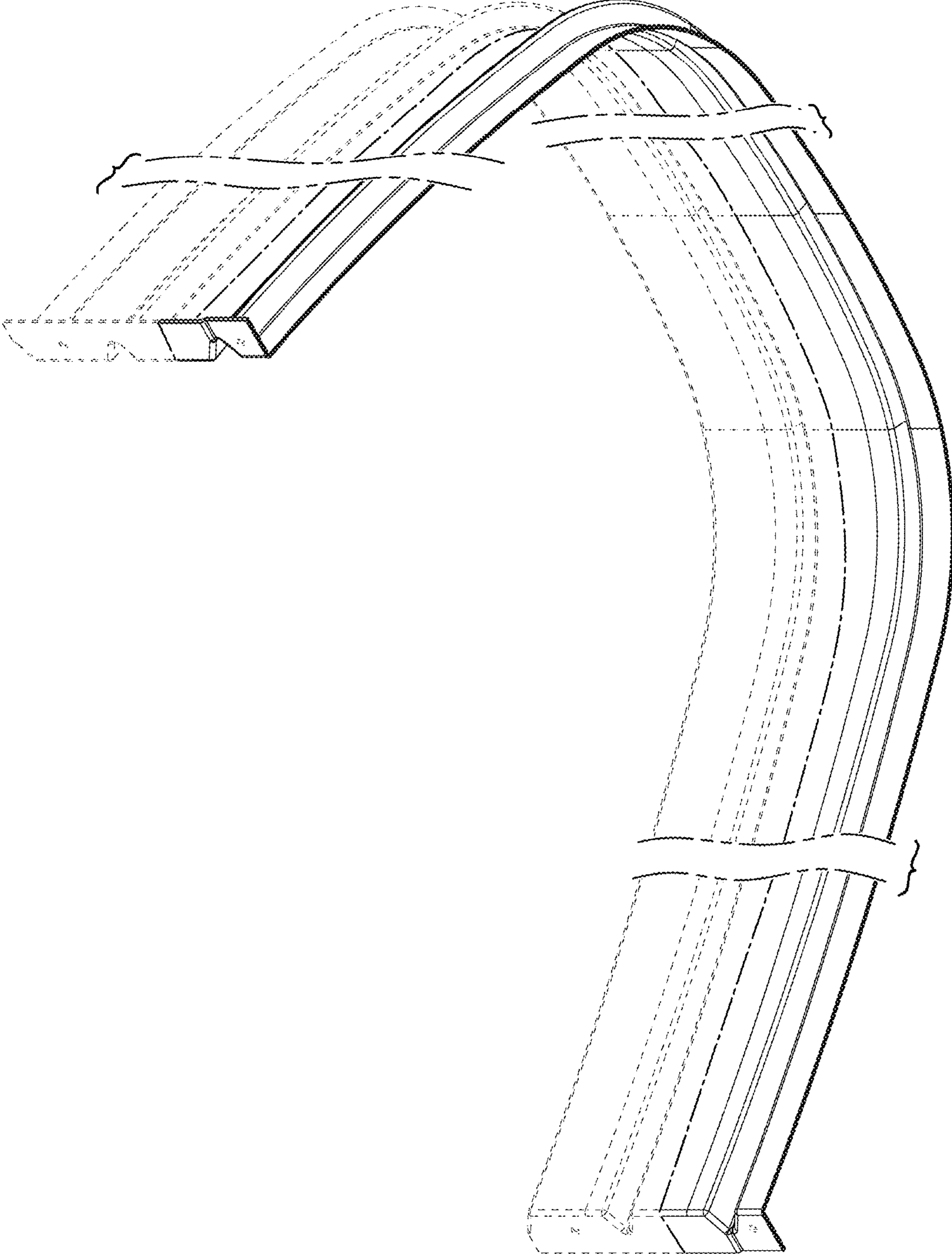


FIG. 1

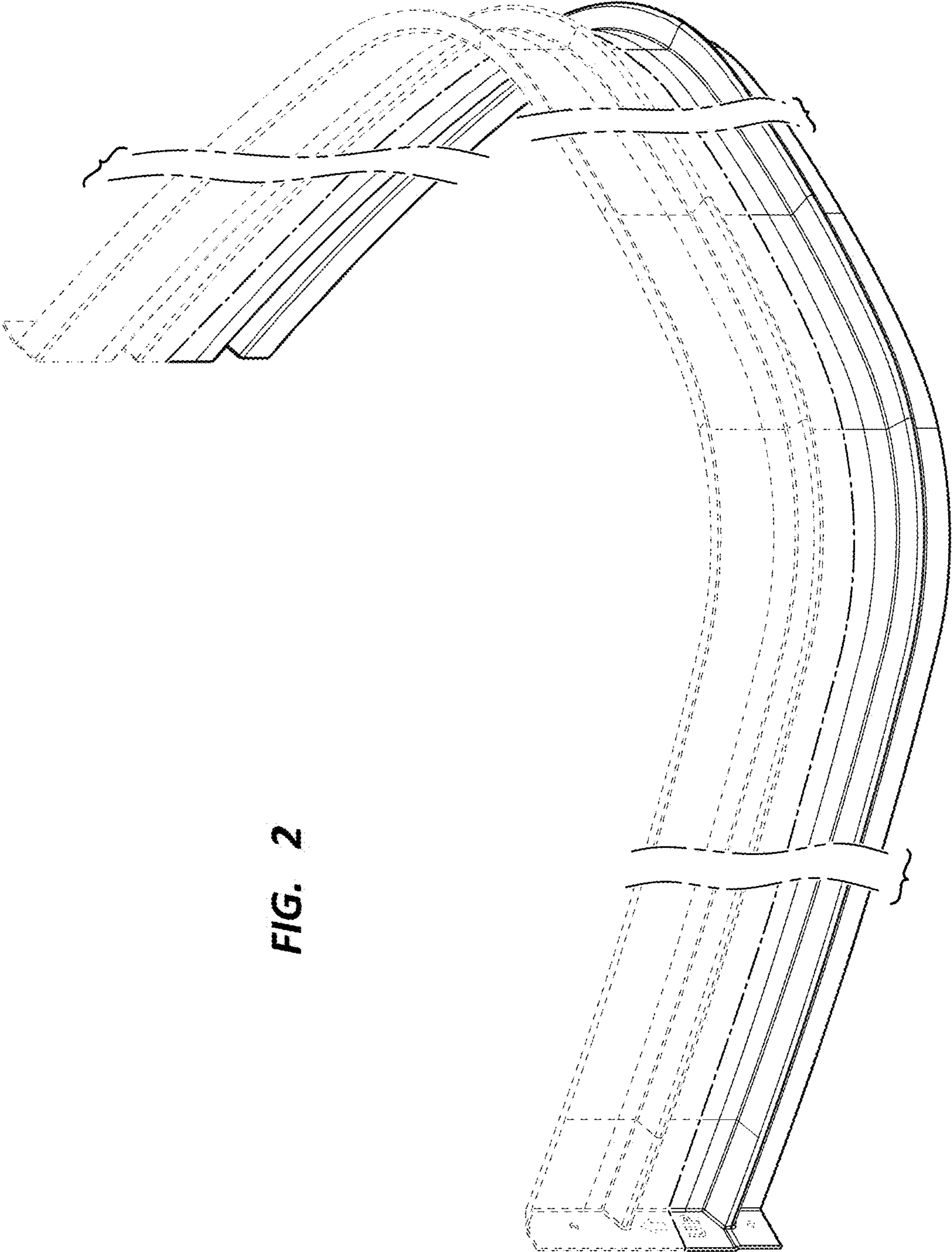


FIG. 2

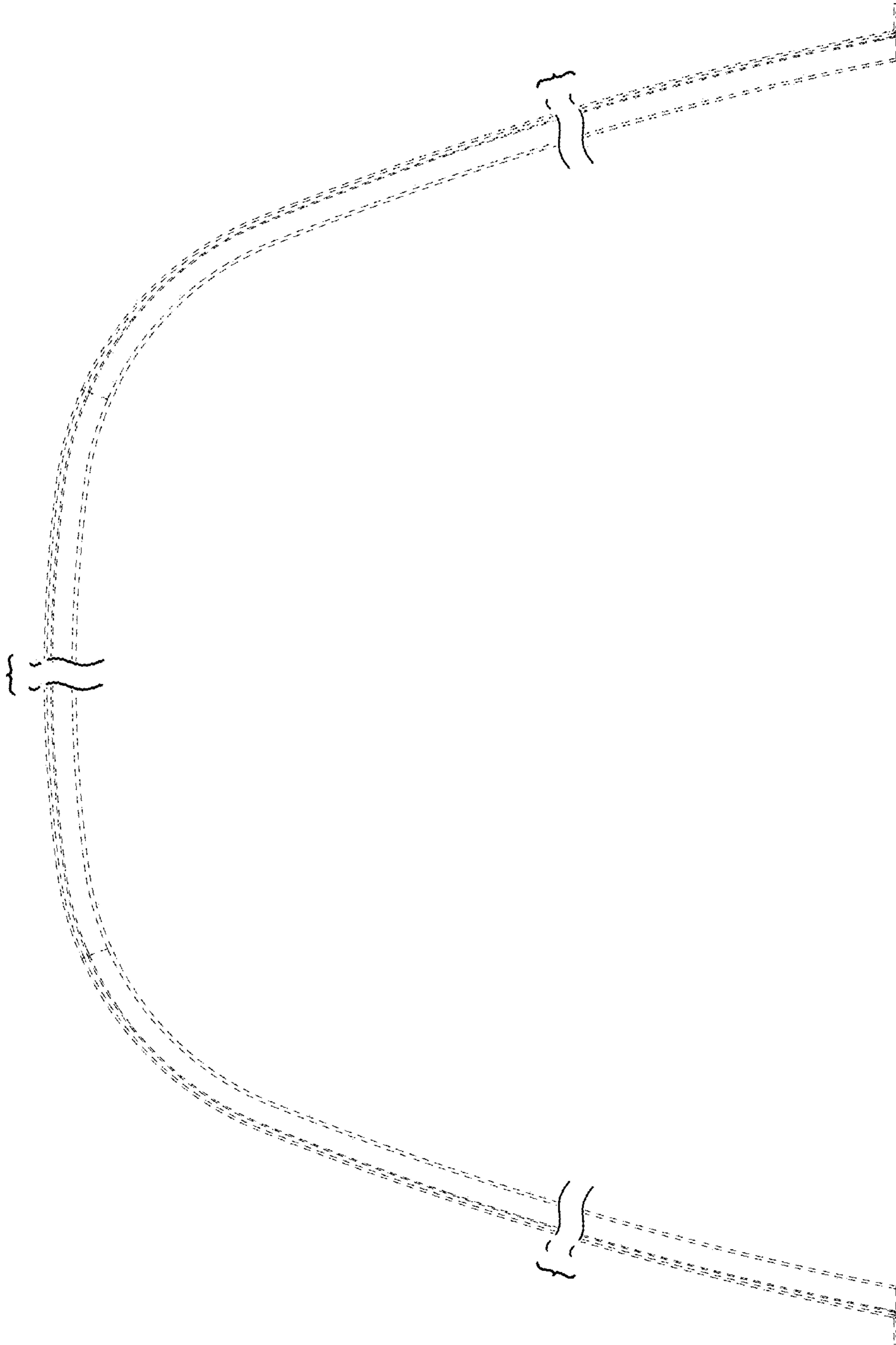


FIG. 3

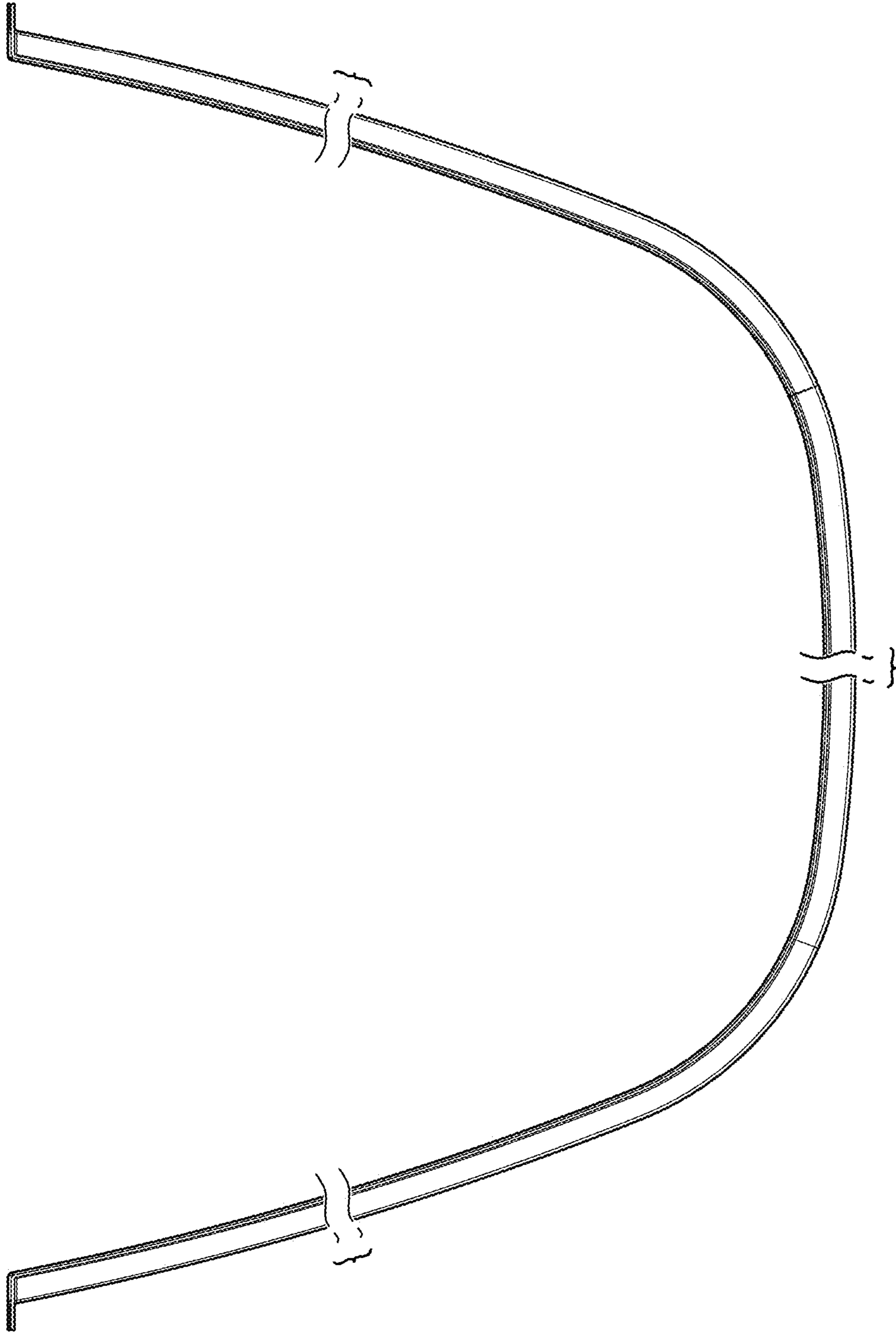


FIG. 4

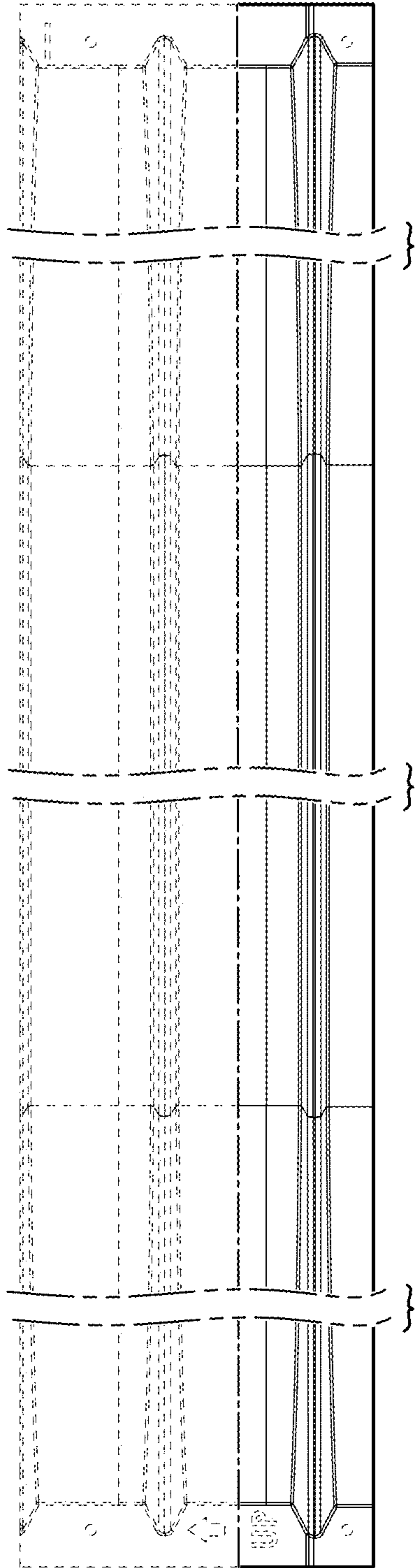


FIG. 5

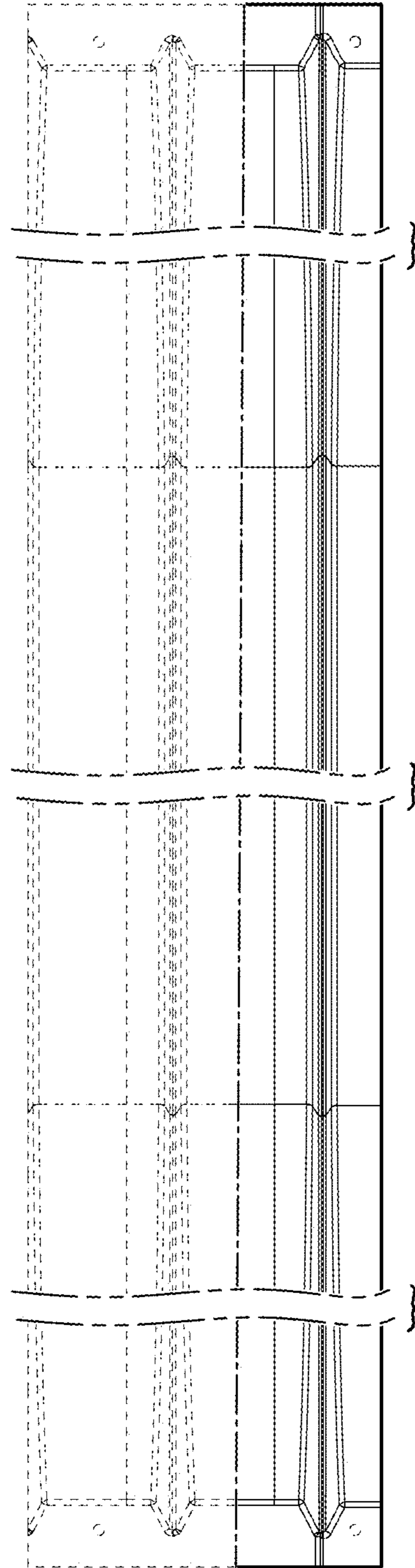


FIG. 6

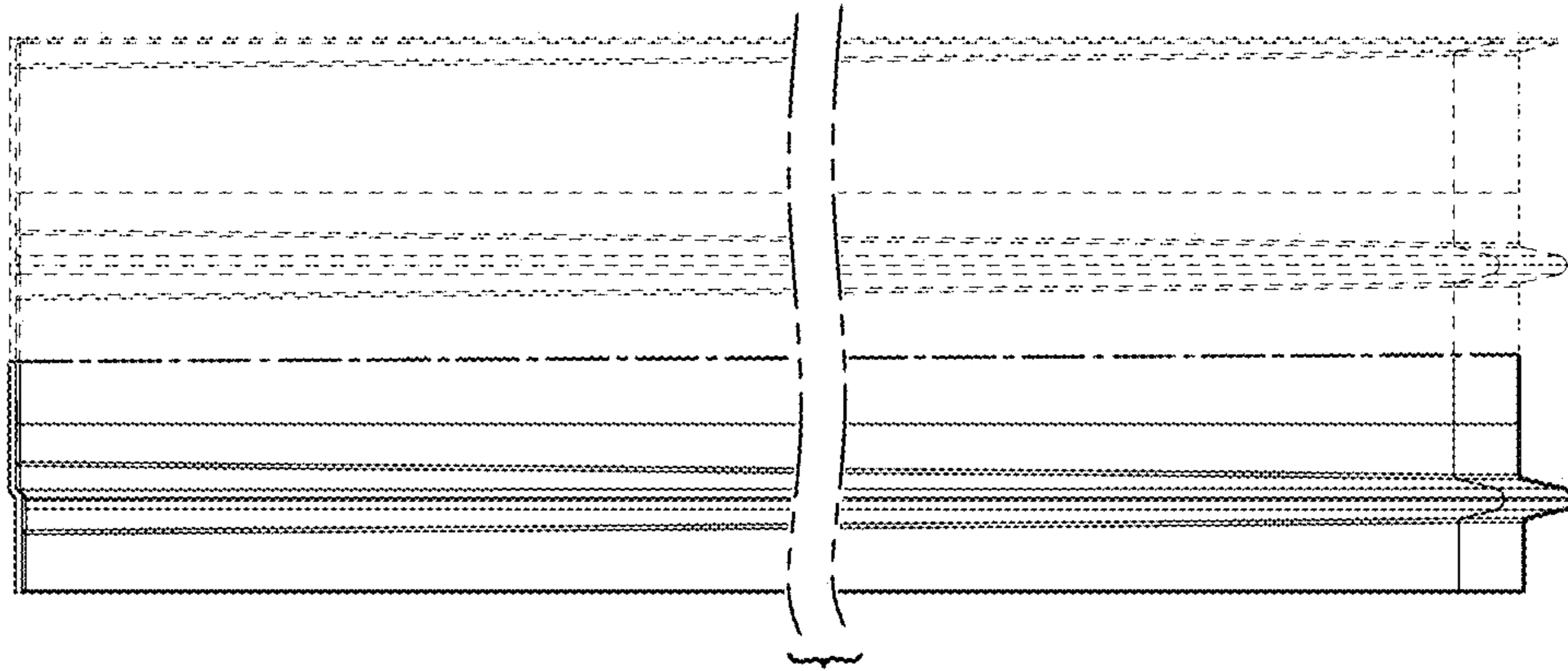


FIG. 7

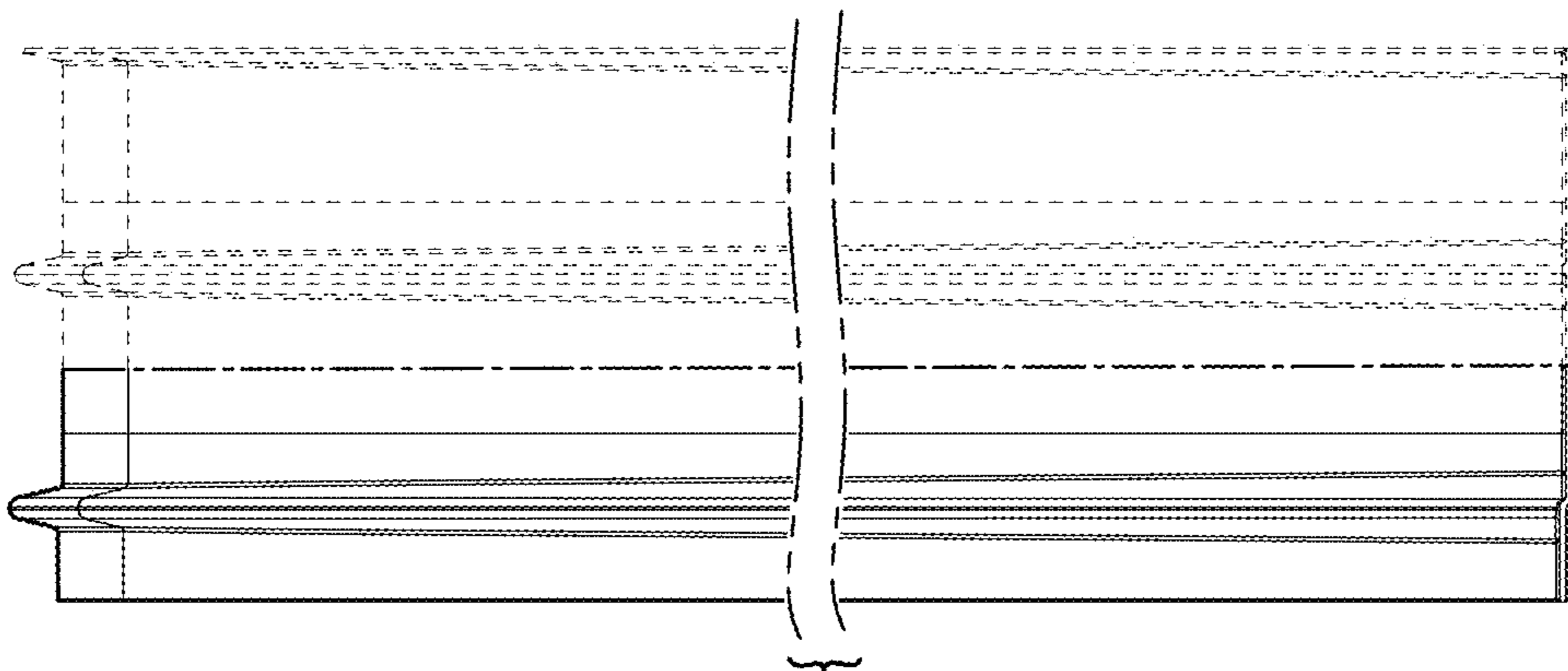


FIG. 8

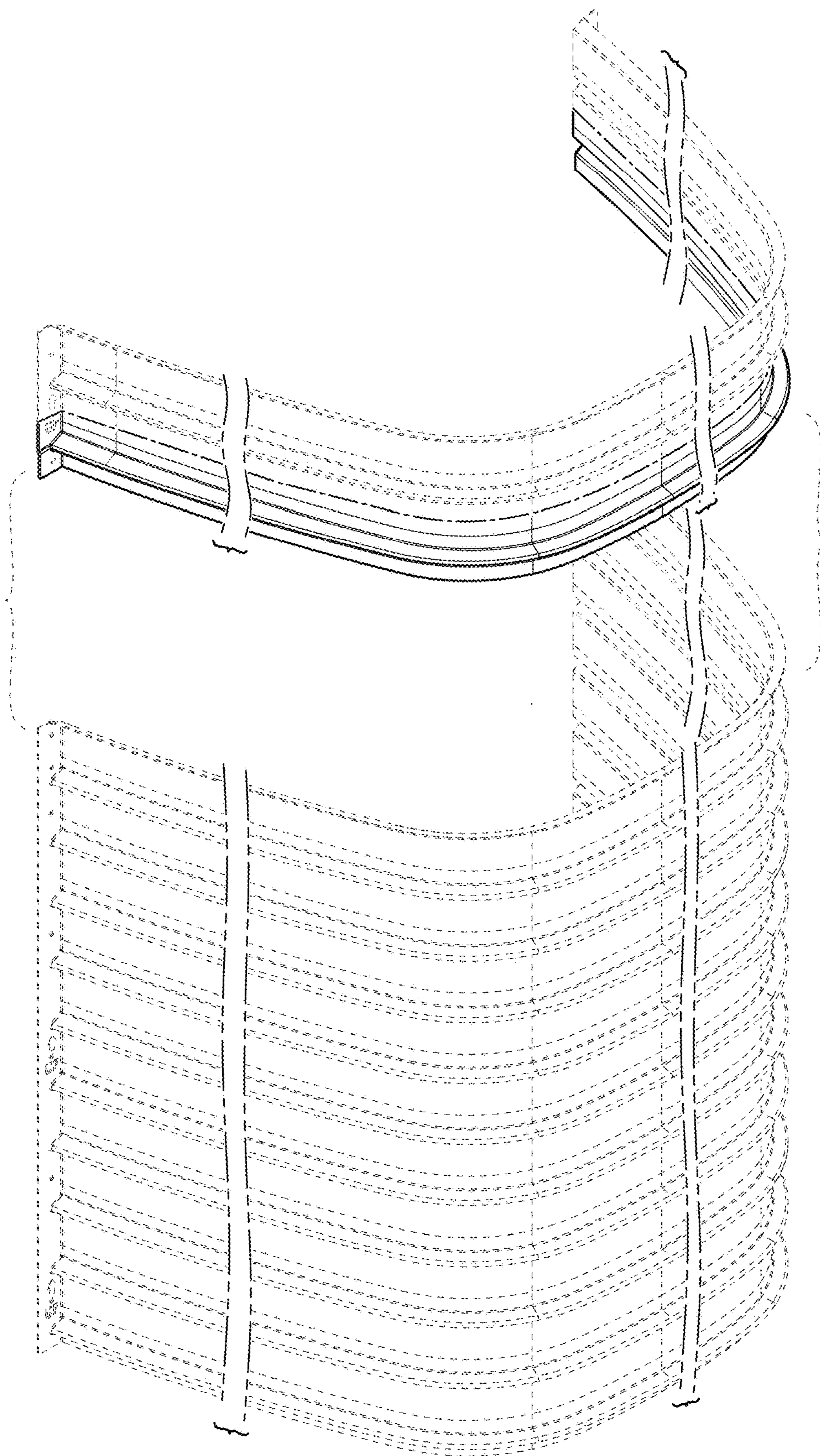


FIG. 9

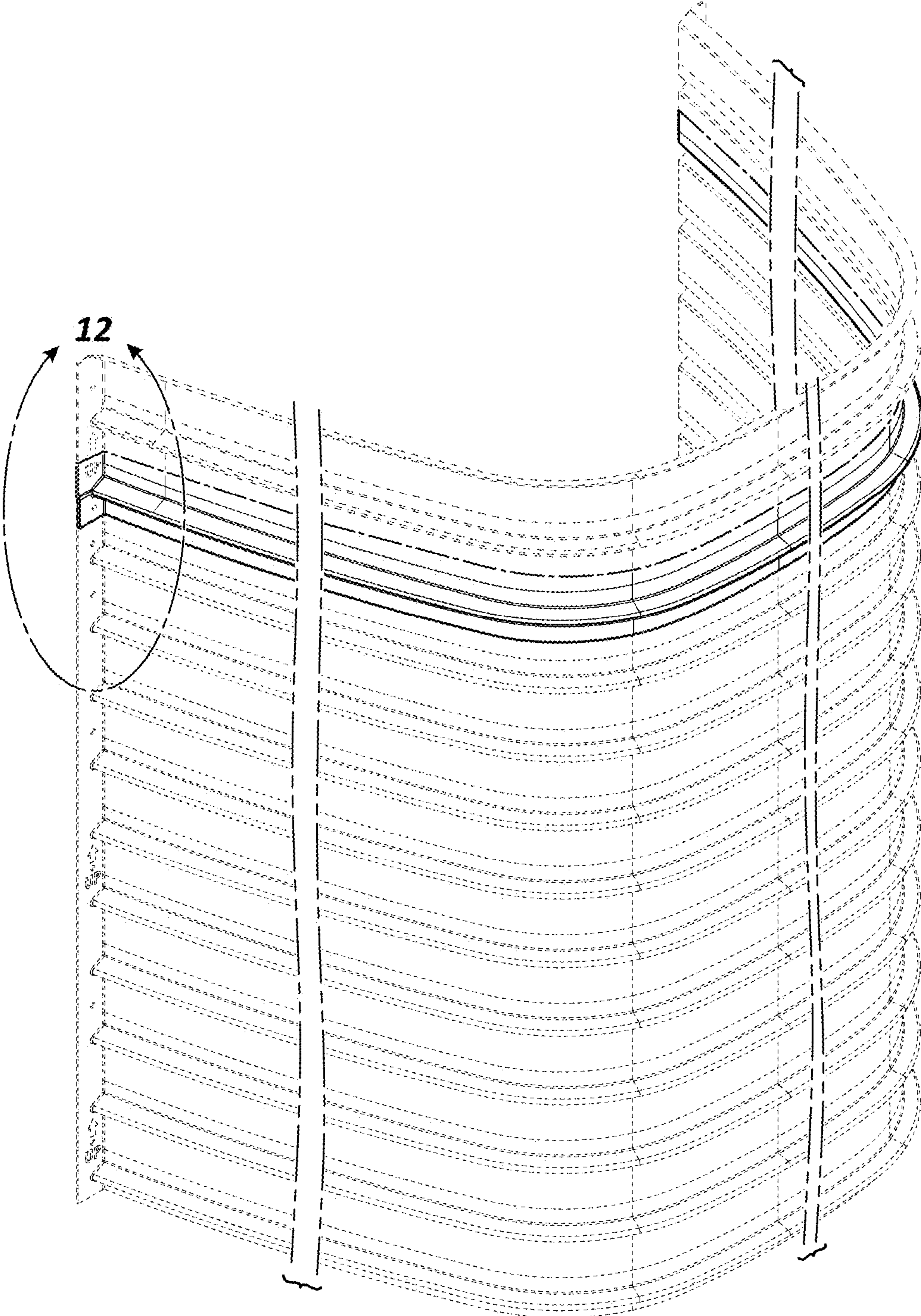


FIG. 10

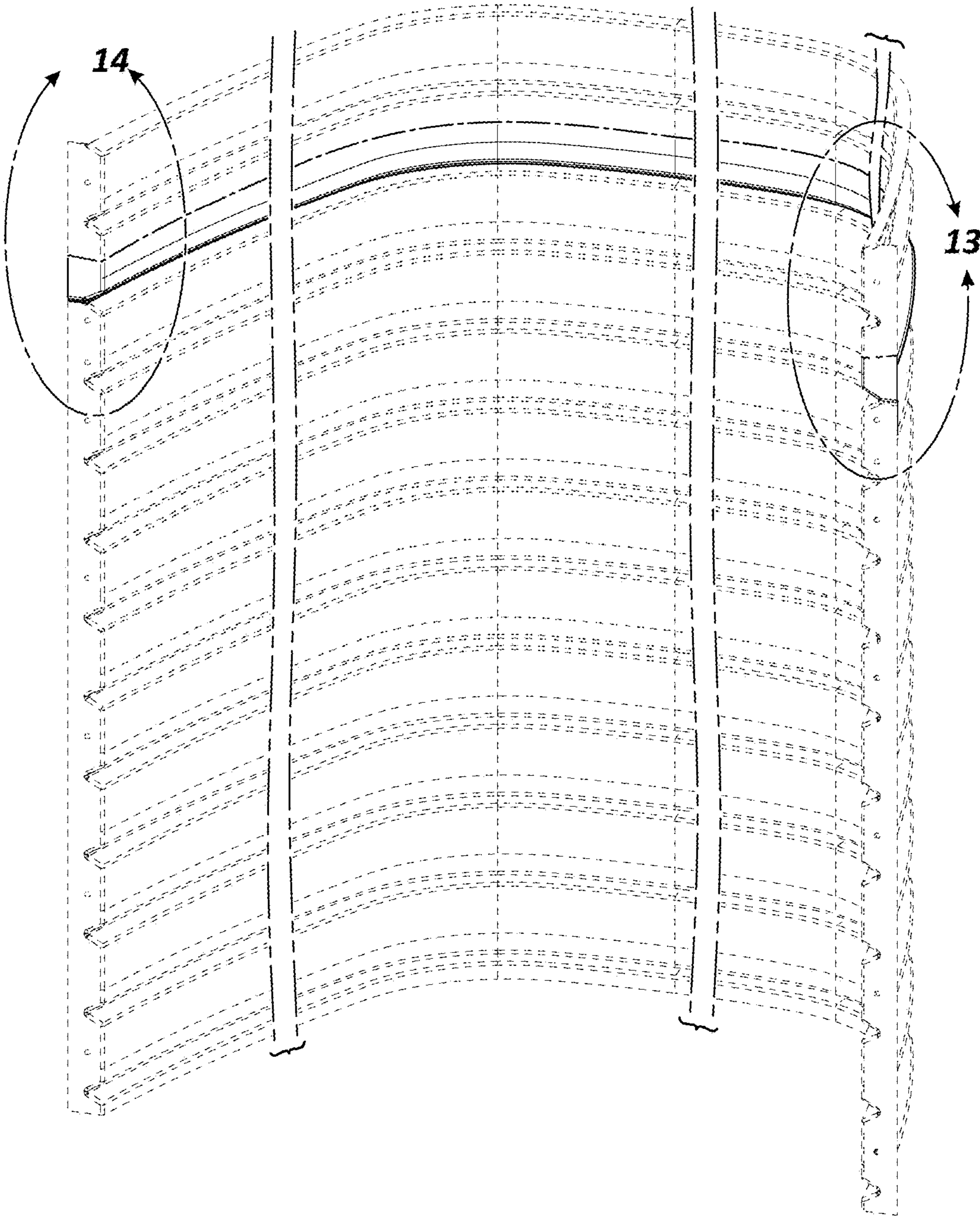


FIG. 11

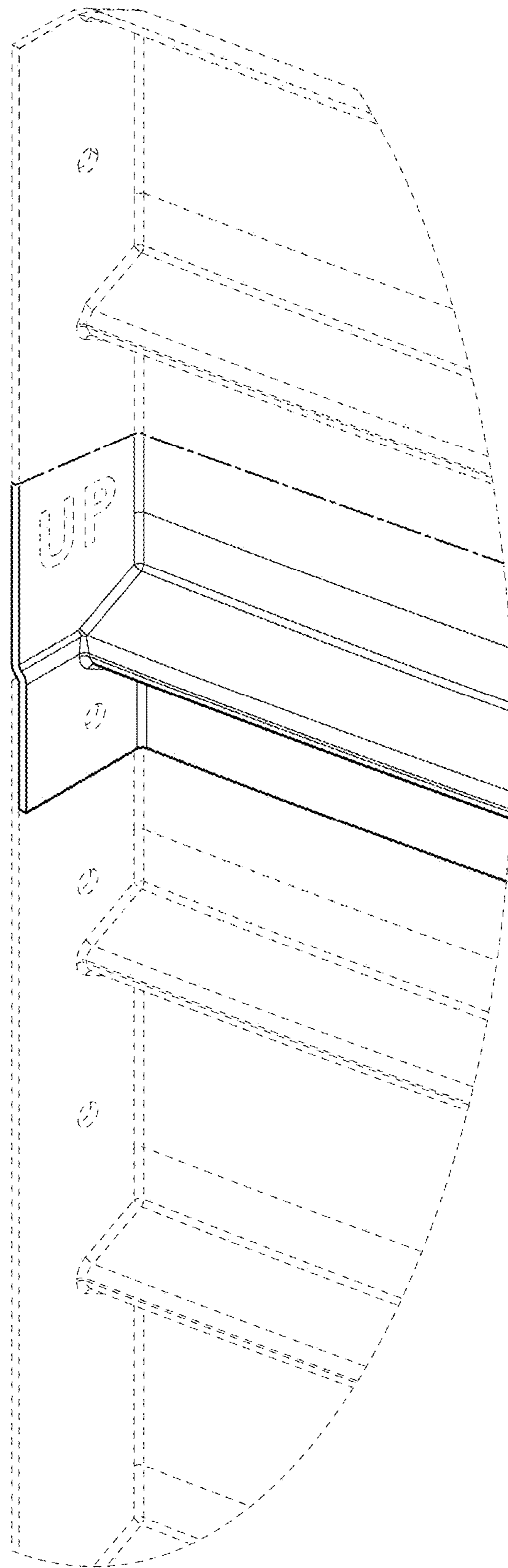


FIG. 12

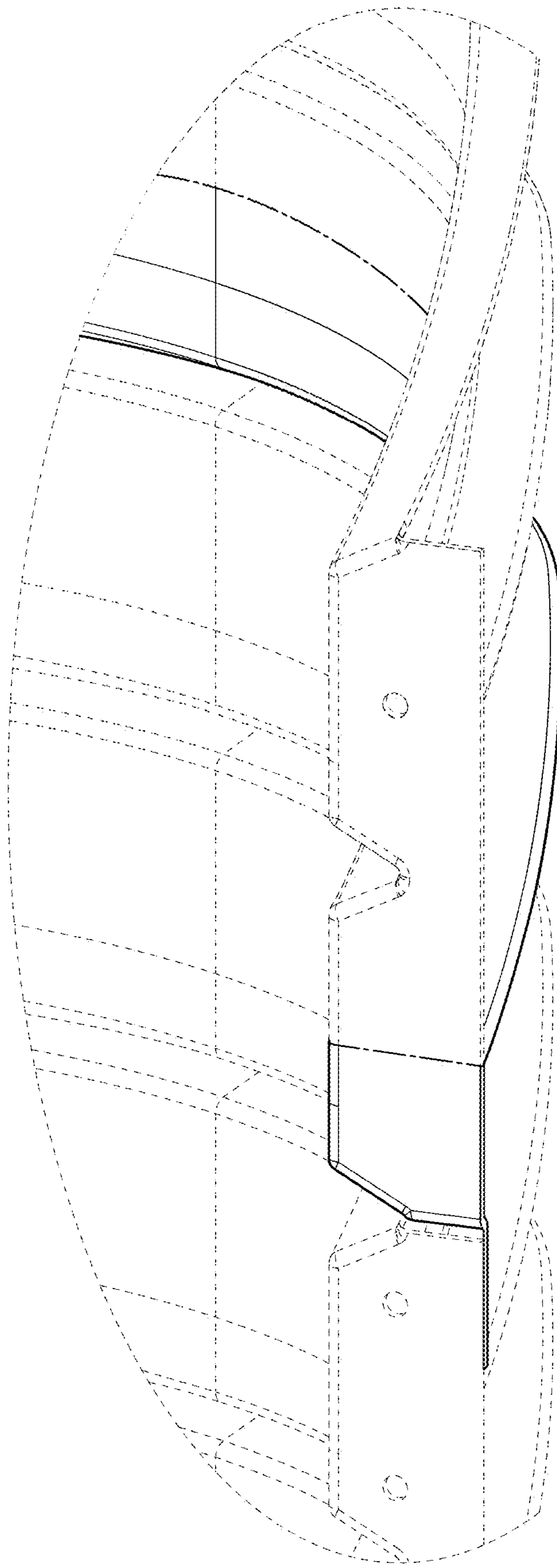


FIG. 13

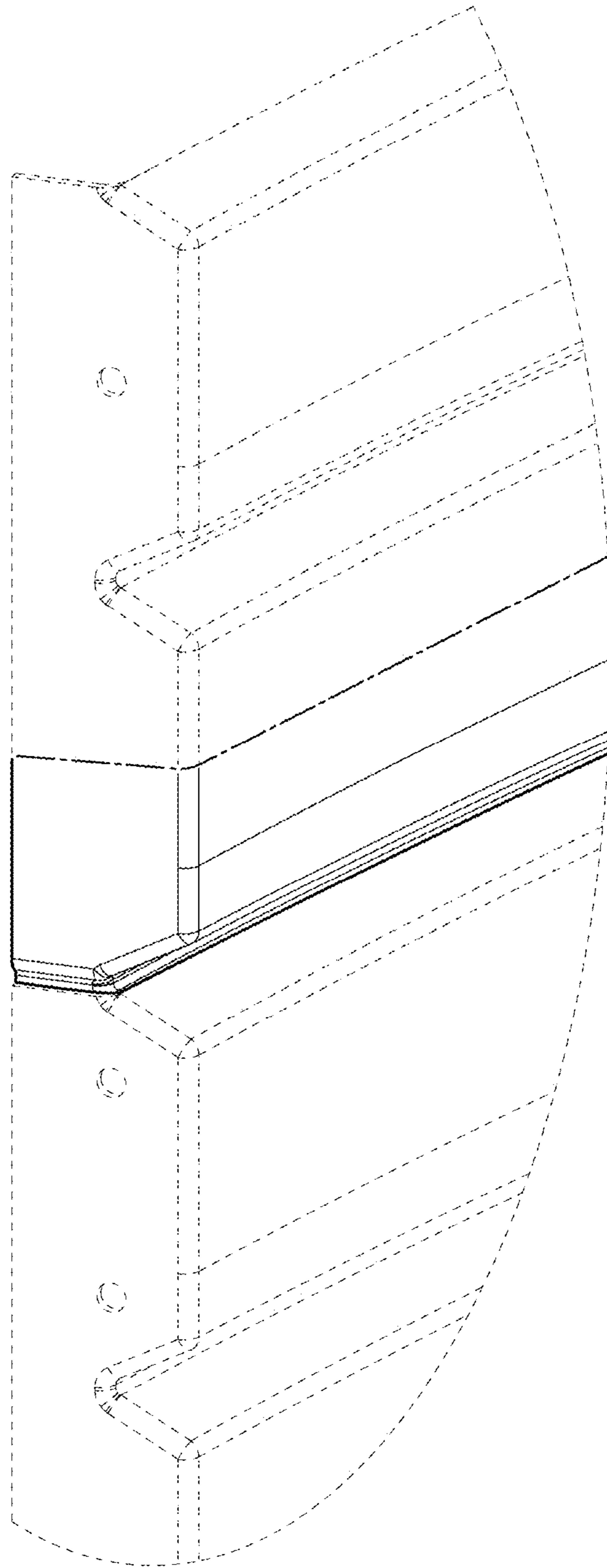


FIG. 14