



US00D931497S

(12) **United States Design Patent** (10) **Patent No.:** **US D931,497 S**
Cook et al. (45) **Date of Patent:** **** *Sep. 21, 2021**

(54) **WINDOW WELL**

OTHER PUBLICATIONS

(71) Applicant: **RockWell LLC**, Springville, UT (US)

Egress Window Well Photo Gallery Rockwell Window Wells <https://rockwellinc.com/basement-egress-window-wells-gallery/image-gallery> Feb. 2020 (Year: 2020).*

(72) Inventors: **Vaughn Allen Cook**, Mapleton, UT (US); **David Wayne Hoagland**, Provo, UT (US); **Rodney William Slade**, Mapleton, UT (US)

(Continued)

(73) Assignee: **ROCKWELL LLC**, Springville, UT (US)

Primary Examiner — Leanne Was-Englehart

(74) *Attorney, Agent, or Firm* — Workman Nydegger

(*) Notice: This patent is subject to a terminal disclaimer.

(57) **CLAIM**

The ornamental design for a window well, as shown and described.

(**) Term: **15 Years**

DESCRIPTION

(21) Appl. No.: **29/713,875**

(22) Filed: **Nov. 19, 2019**

(51) **LOC (13) Cl.** **25-03**

(52) **U.S. Cl.**
USPC **D25/47.1**

(58) **Field of Classification Search**
USPC D25/35, 47.1
CPC E04F 17/06; B29C 70/345; B29C 70/46;
B29K 2023/12; B29K 2309/08; B29L
2031/10
See application file for complete search history.

FIG. 1 is a front left perspective view of a window well according to the present invention. The front right perspective view would be a mirror image thereof.

FIG. 2 is a rear left perspective view of the window well of FIG. 1. The rear right perspective view would be a mirror image thereof.

FIG. 3 is a top view of the window well of FIG. 1.

FIG. 4 is a bottom view of the window well of FIG. 1.

FIG. 5 is a rear view of the window well of FIG. 1.

FIG. 6 is a front view of the window well of FIG. 1.

FIG. 7 is a first side view of the window well of FIG. 1.

FIG. 8 is a close-up view of the region designated "8" in FIG. 7.

FIG. 9 is a second, opposite side view of the window well of FIG. 1; and,

FIG. 10 is a close-up view of the region designated "10" in FIG. 9.

The area between the symbolic break lines (dash-dot-dot-dash) forms no part of the claimed design.

The horizontal dash-dot-dash boundary line is meant to claim that portion of the surface shown in solid lines, up to the dash-dot-dash boundary line.

The dash-dash broken lines depict portions of the window well that form no part of the claimed design.

(56) **References Cited**

U.S. PATENT DOCUMENTS

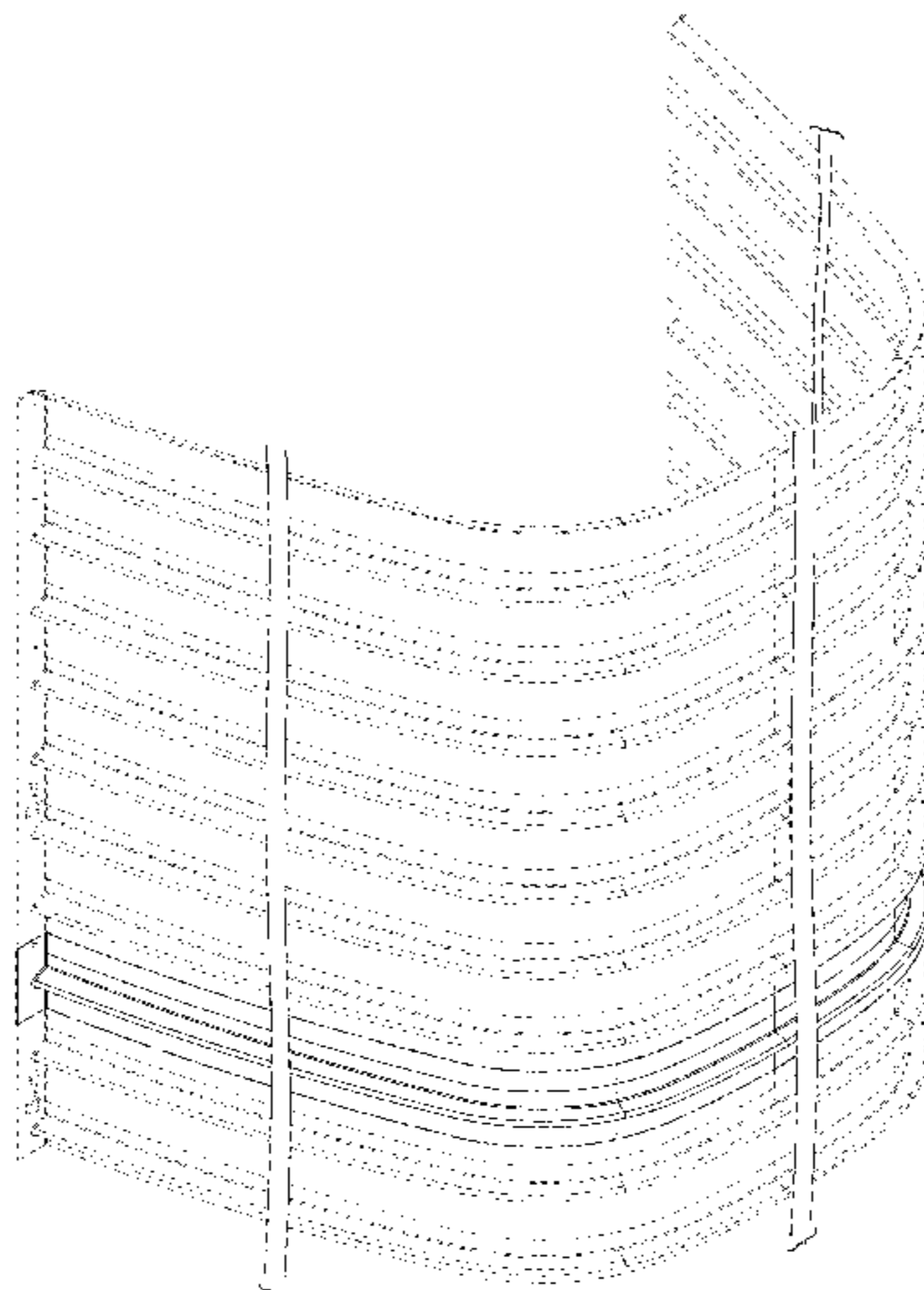
3,004,634	A *	10/1961	Evans	E04F 17/06 52/107
3,099,900	A *	8/1963	Beck	E04F 17/06 52/742.15
D523,966	S *	6/2006	Kitchen	D25/47.1
7,171,786	B2 *	2/2007	George	E04F 17/06 52/107

(Continued)

FOREIGN PATENT DOCUMENTS

CA 100316 * 2/2003

1 Claim, 10 Drawing Sheets



(56)

References Cited

U.S. PATENT DOCUMENTS

D550,859 S * 9/2007 Oakley D25/47.1
D586,477 S * 2/2009 Kemp D25/47.1
7,549,256 B1 * 6/2009 Watkins E04F 17/06
182/93
7,730,673 B2 * 6/2010 George E04F 17/06
52/107
2005/0115169 A1 * 6/2005 George E04F 17/06
52/107
2005/0252103 A1 * 11/2005 Cook E04F 17/06
52/107
2009/0090160 A1 * 4/2009 Kemp B21D 13/00
72/379.6
2021/0017772 A1 * 1/2021 Cook B29C 70/46

OTHER PUBLICATIONS

Rockwell Denali <https://rockwellinc.com/denali> Jan. 2020 (Year: 2020).*

* cited by examiner

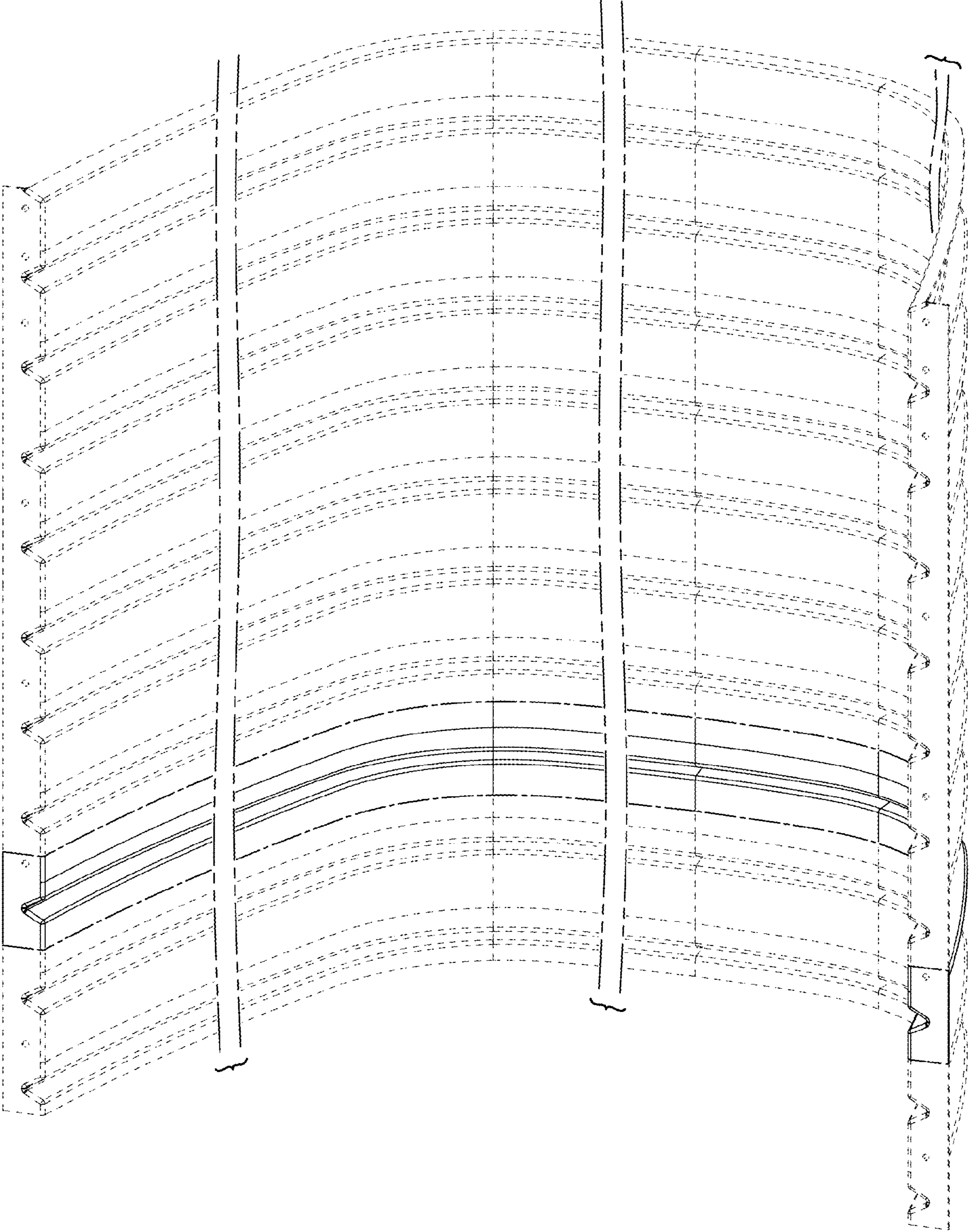


FIG. 1

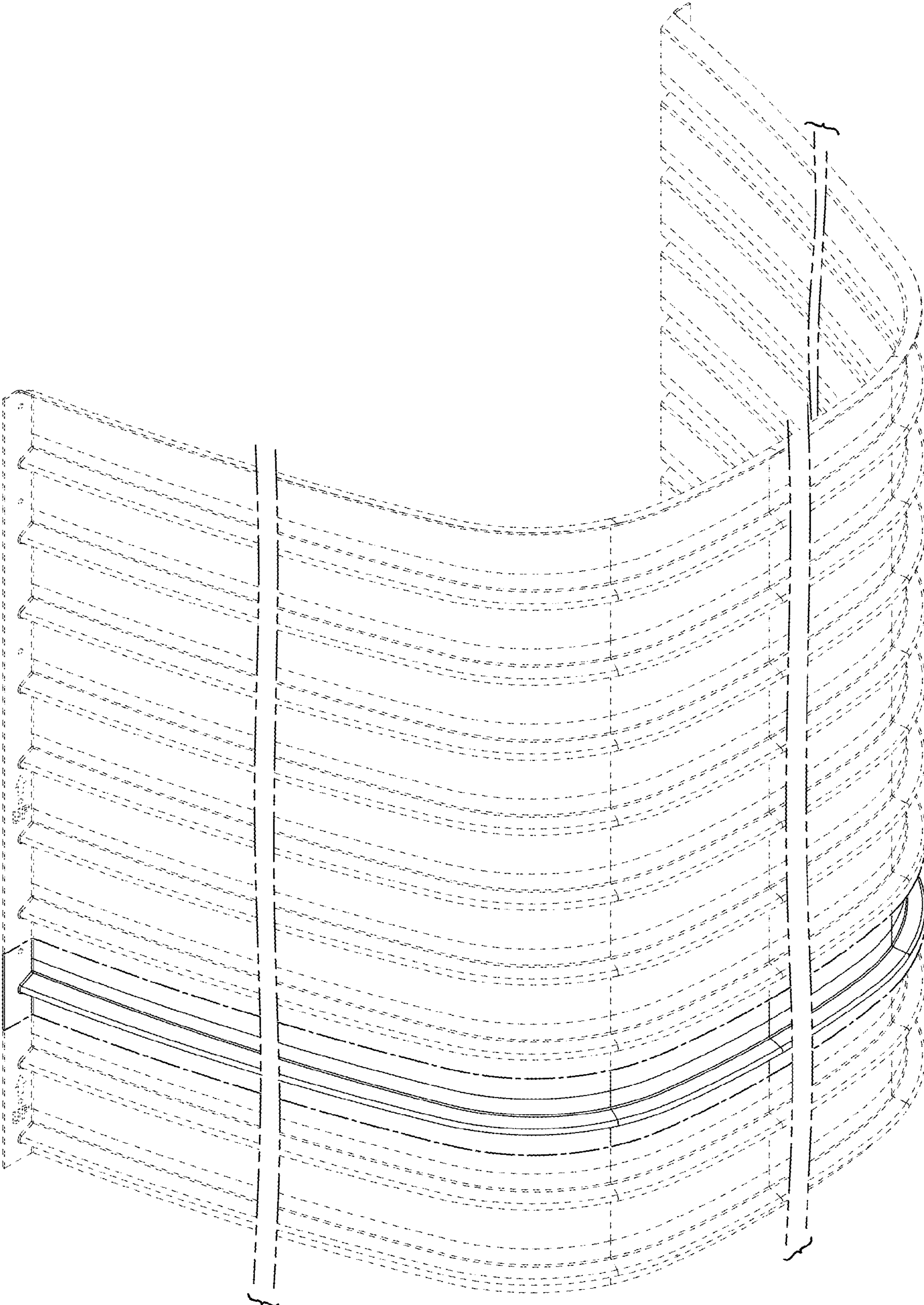


FIG. 2

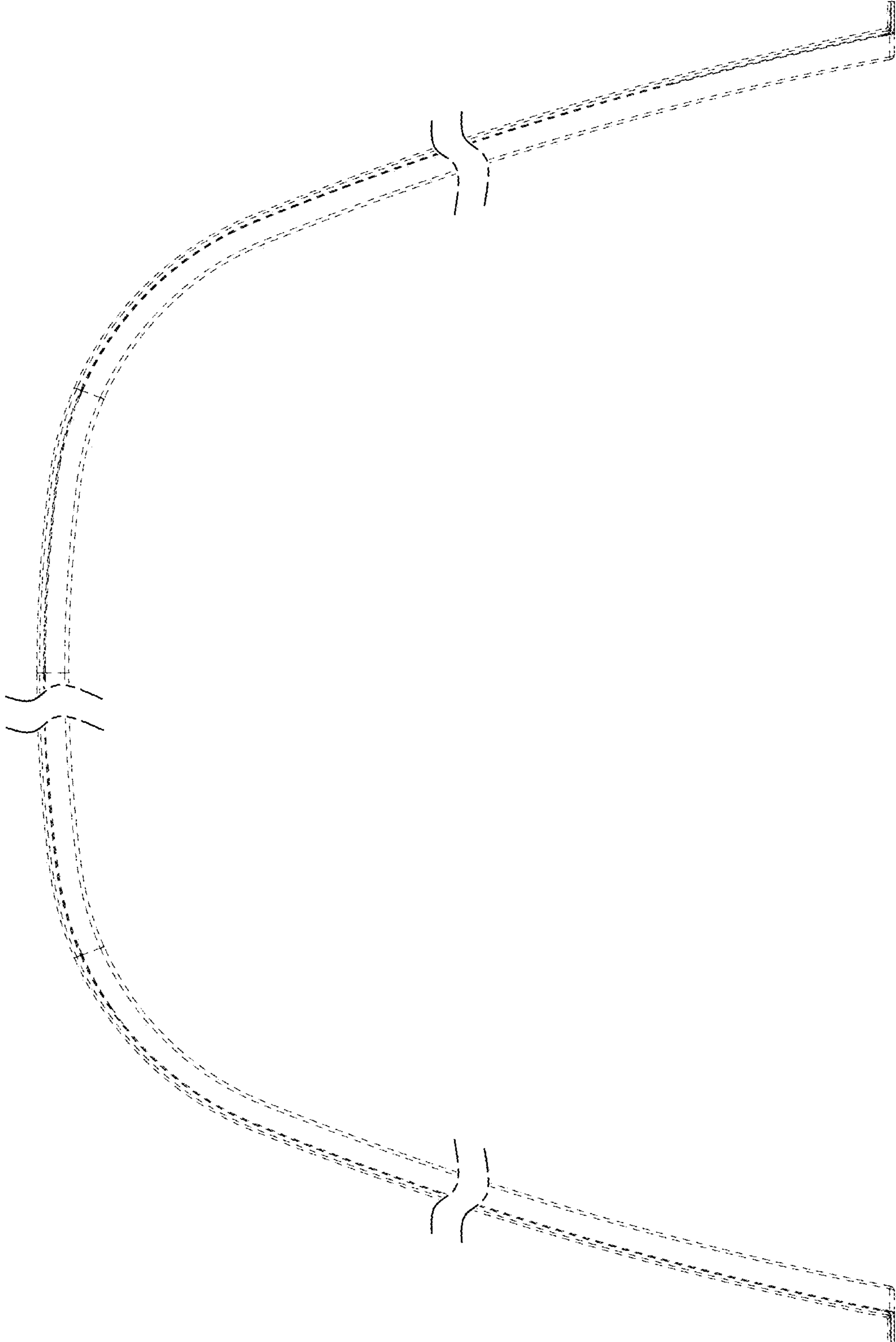


FIG. 3

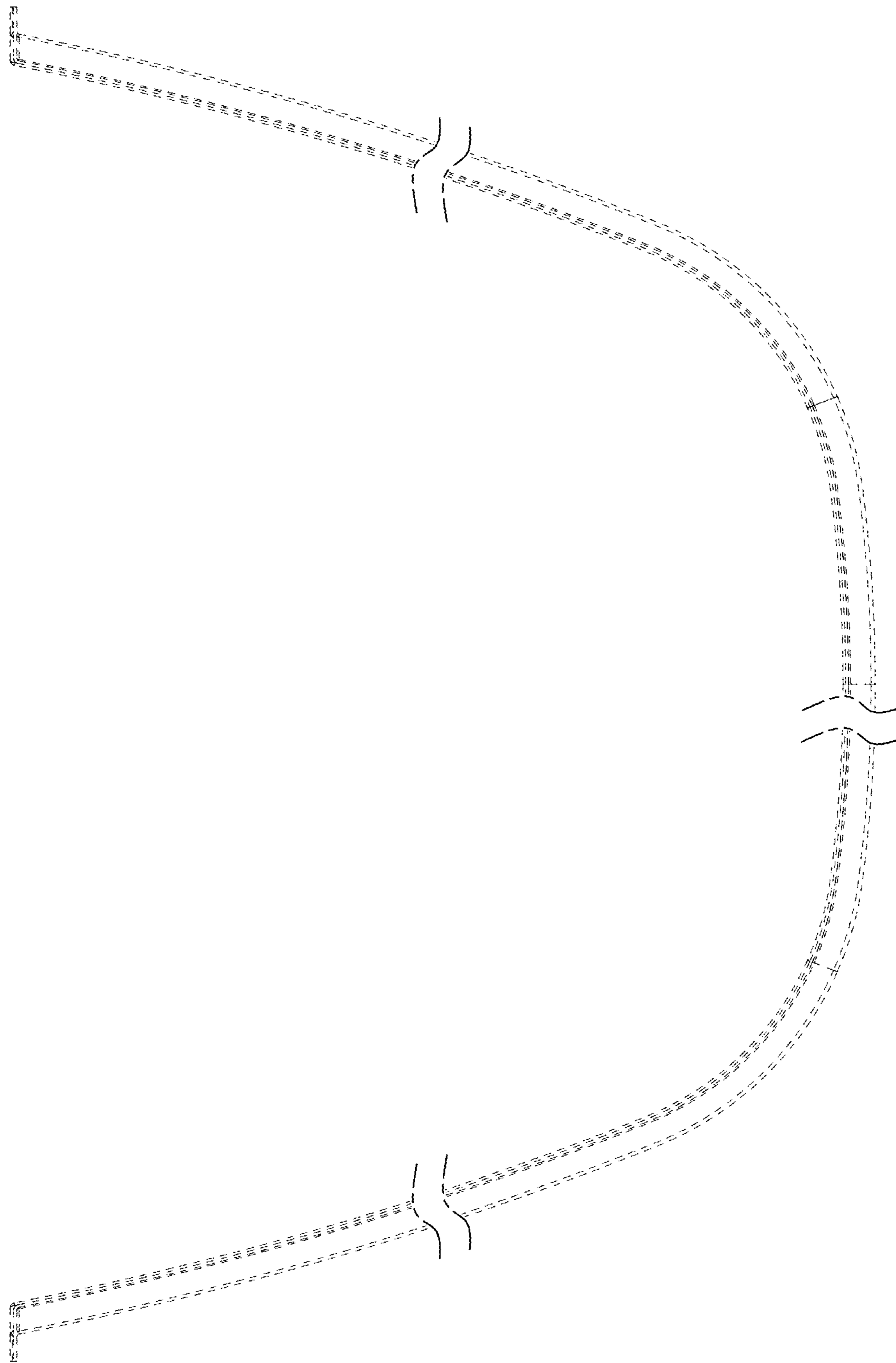


FIG. 4

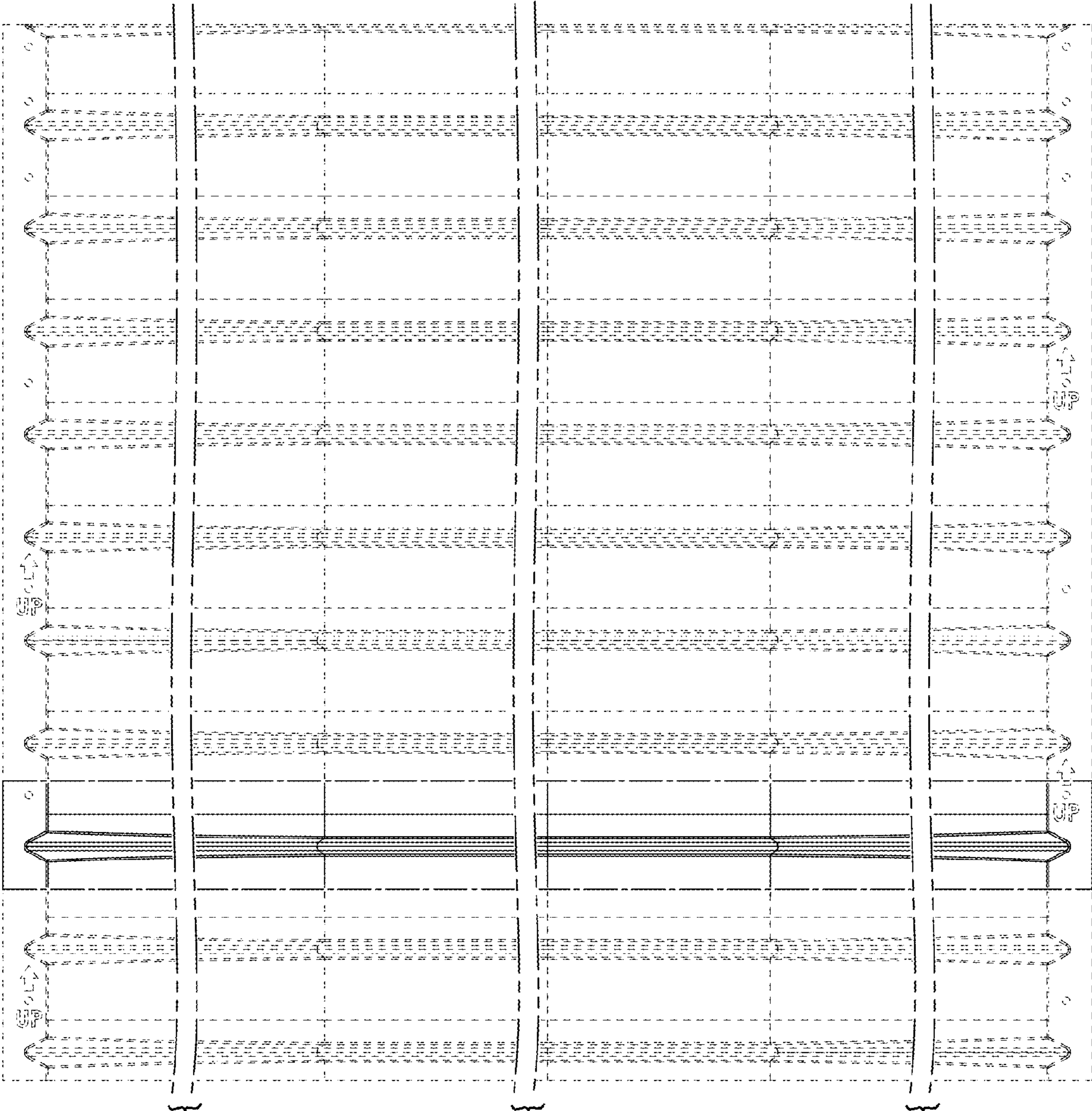


FIG. 5

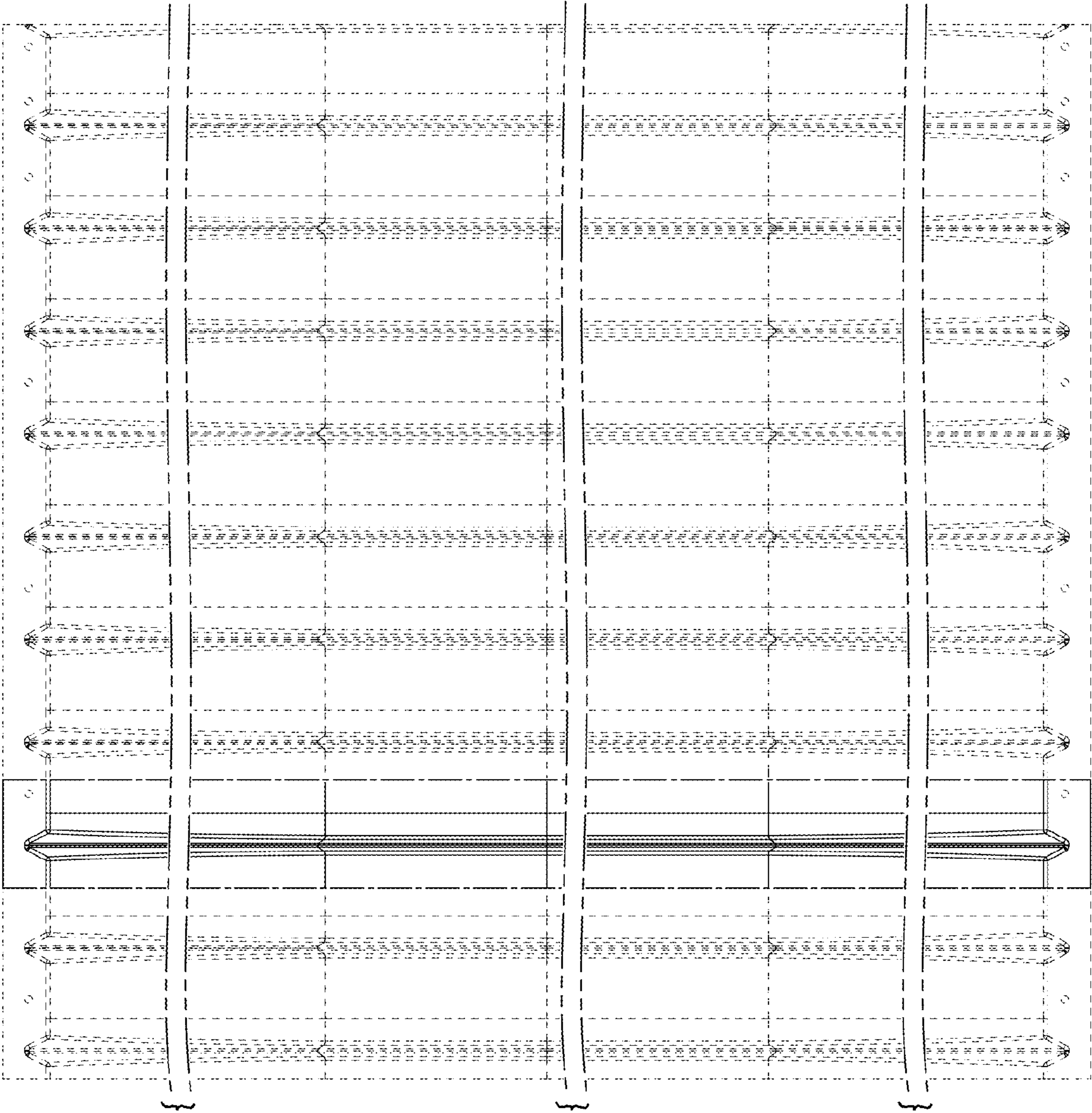


FIG. 6

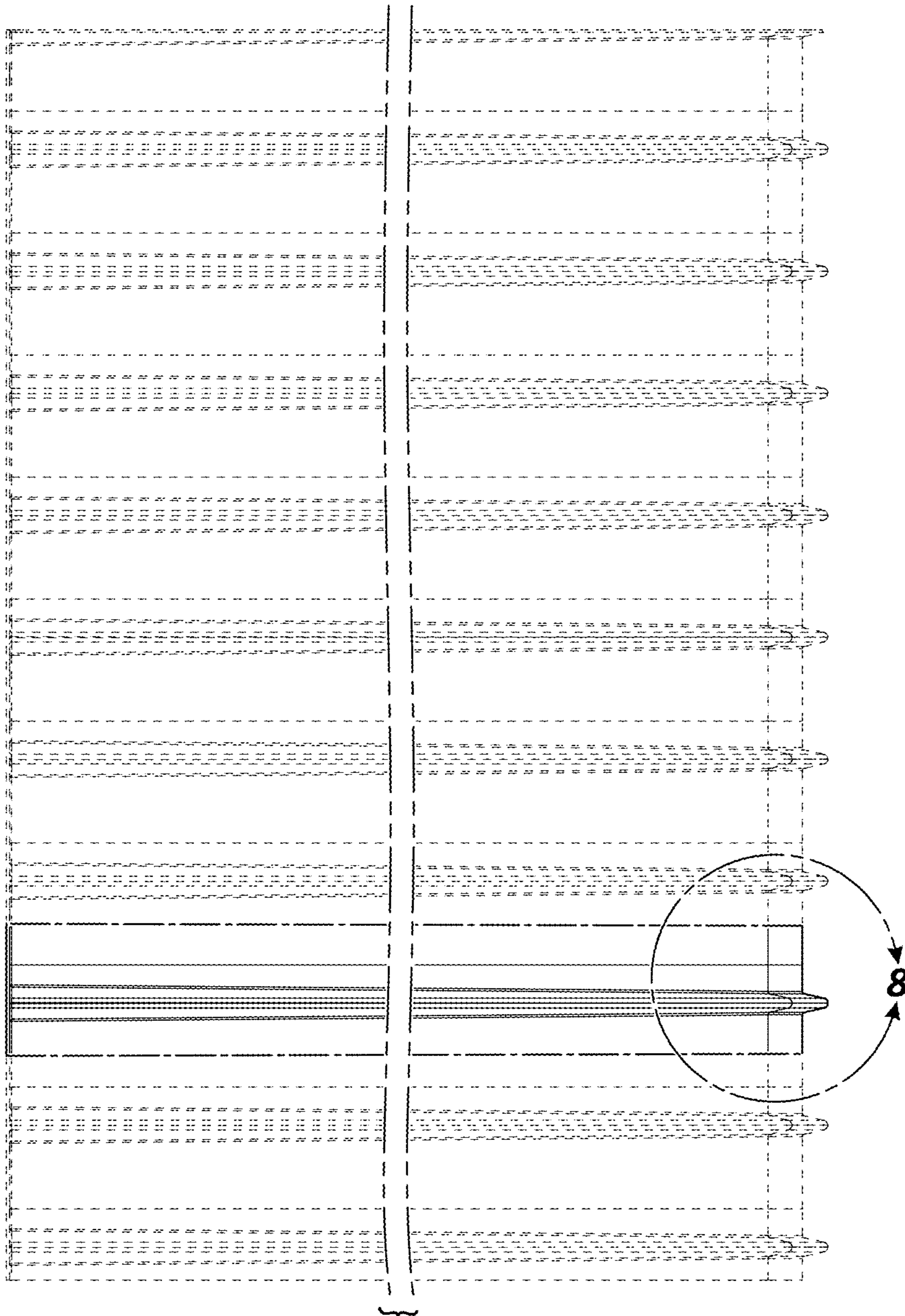


FIG. 7

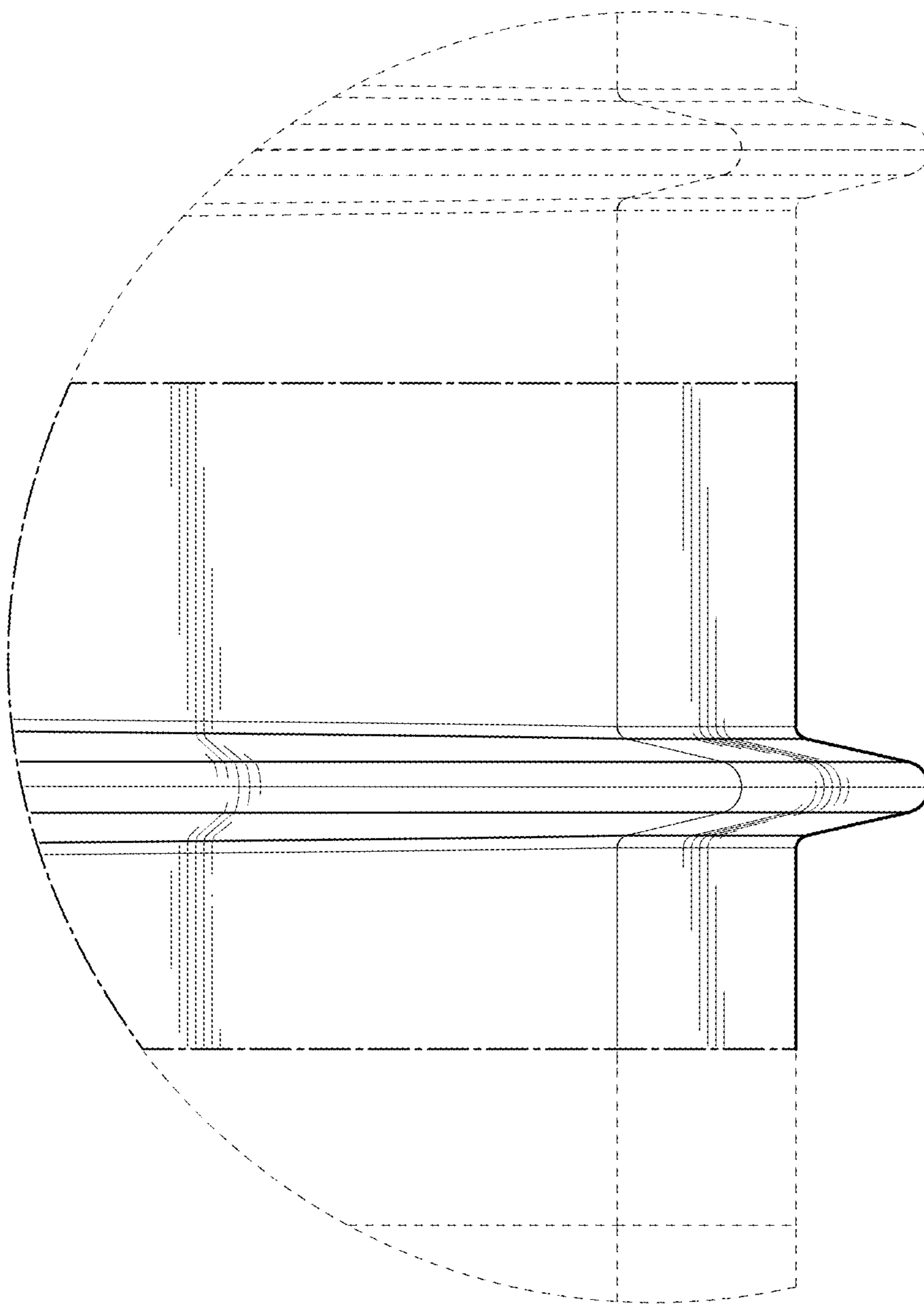


FIG. 8

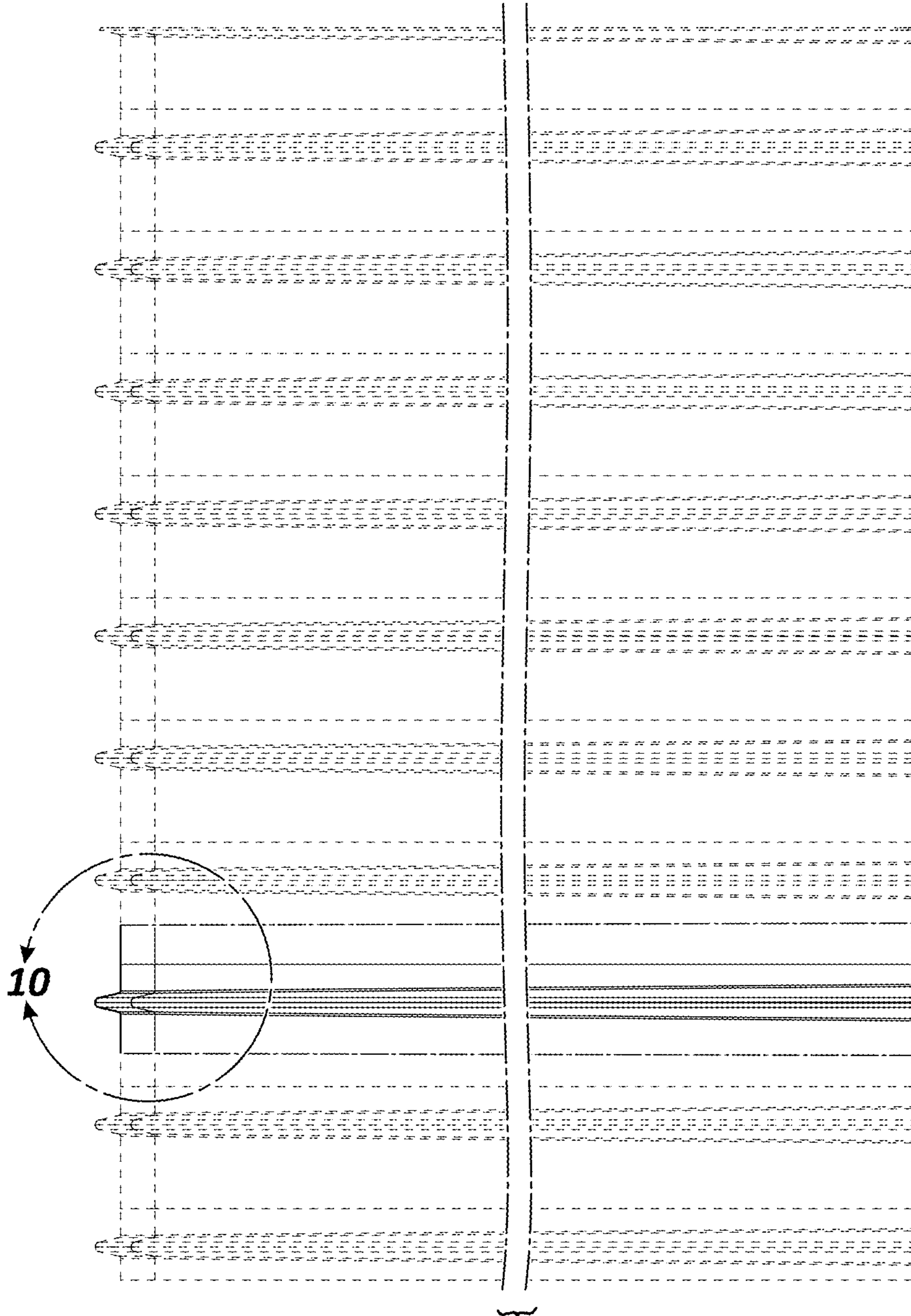


FIG. 9

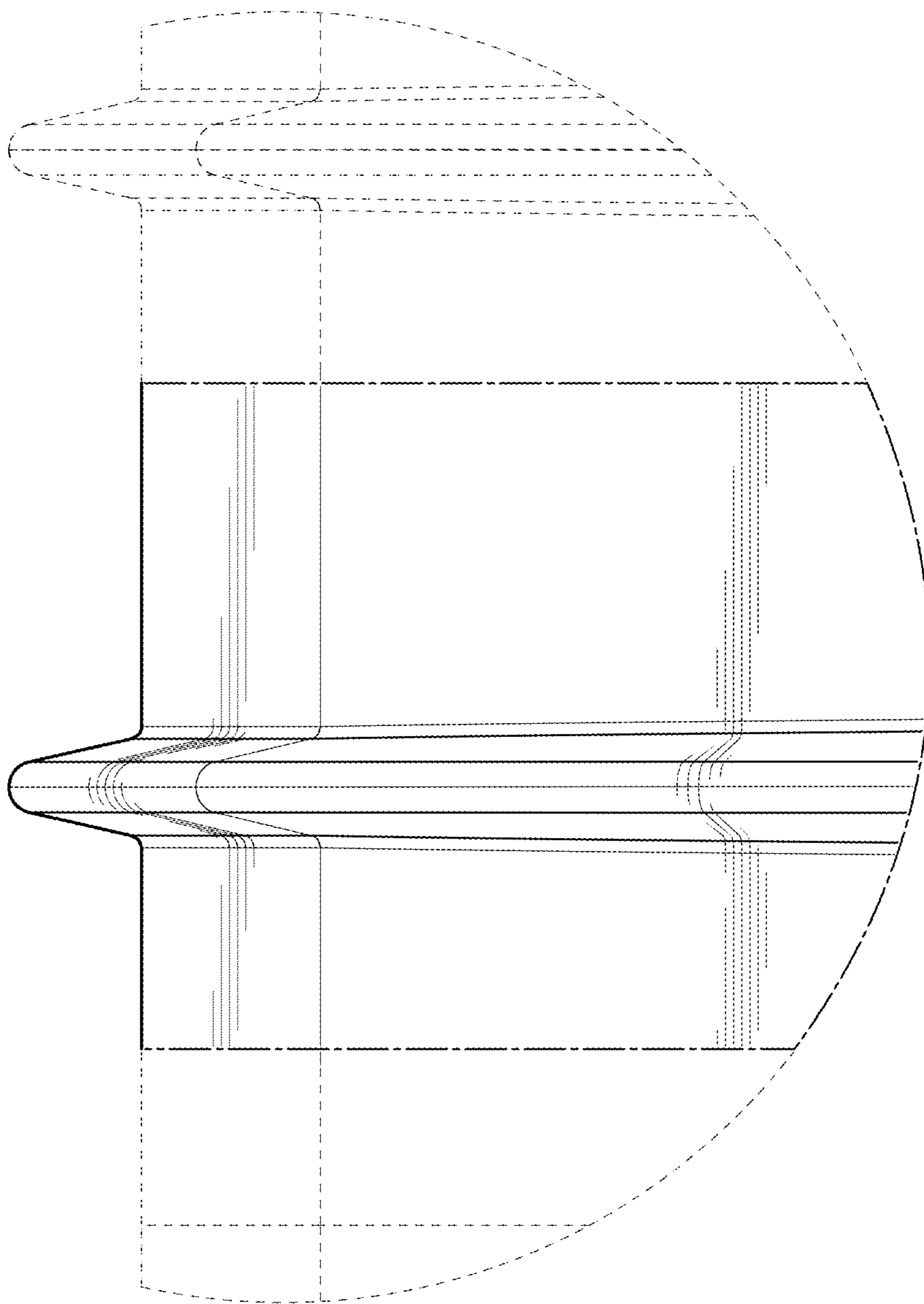


FIG. 10