



US00D931496S

(12) **United States Design Patent** (10) **Patent No.:** **US D931,496 S**
Melin (45) **Date of Patent:** **** Sep. 21, 2021**

(54) **ANTI FLOOD BARRIER** 2209/40; C02F 2303/04; C02F 3/28;
C02F 9/00; E04H 1/1272

(71) Applicant: **NOAQ FLOOD PROTECTION AB,** See application file for complete search history.
Näsviken (SE)

(72) Inventor: **Sigurd Melin,** Näsviken (SE)

(73) Assignee: **NOAQ FLOOD PROTECTION AB,**
Näsviken (SE)

(**) Term: **15 Years**

(21) Appl. No.: **35/508,966**

(22) Filed: **Feb. 25, 2020**

(80) **Hague Agreement Data**

Int. Filing Date: **Feb. 25, 2020**

Int. Reg. No.: **DM/206623**

Int. Reg. Date: **Feb. 25, 2020**

Int. Reg. Pub. Date: **Apr. 3, 2020**

(30) **Foreign Application Priority Data**

Sep. 11, 2019 (EM) 006855656

(51) **LOC (13) Cl.** **25-02**

(52) **U.S. Cl.**
USPC **D25/38.1**

(58) **Field of Classification Search**
USPC D25/38.1, 58, 119, 125, 126, 136, 158,
D25/163, 164, 199; D10/113.3;
D15/150, 152, 199
CPC B01D 15/3804; B01D 15/327;
B01D 15/363; B01D 2313/143; B01D
2313/146; B01D 2315/10; B01D
2317/025; B01D 2317/06; B01D 61/142;
B01D 61/145; B01D 63/082; C02F 1/56;
C02F 11/121; C02F 1/444; C02F 1/5236;
C02F 1/5245; C02F 1/66; C02F 1/722;
C02F 2101/101; C02F 2103/20; C02F
2209/005; C02F 2209/02; C02F 2209/04;
C02F 2209/06; C02F 2209/11; C02F

(56) **References Cited**

U.S. PATENT DOCUMENTS

D498,163	S	*	11/2004	Brown	D10/113.3
D614,984	S	*	5/2010	Christensen	D10/113.3
D631,977	S	*	2/2011	Taylor	D25/38.1
D634,443	S	*	3/2011	Taylor	D25/38.1
D696,791	S	*	12/2013	Taylor	D25/38.1
D722,386	S	*	2/2015	Phelps	D25/38.1
D776,298	S	*	1/2017	Melin	D25/38.1
D850,662	S	*	6/2019	Noel	D25/199
D887,020	S	*	6/2020	Phelps	D25/38.1
2003/0081998	A1	*	5/2003	Yodock, III	E01F 15/083 404/6
2003/0113161	A1	*	6/2003	Yodock, III	E01F 15/086 404/6

(Continued)

Primary Examiner — Khawaja Anwar

(74) Attorney, Agent, or Firm — Fox Rothschild LLP

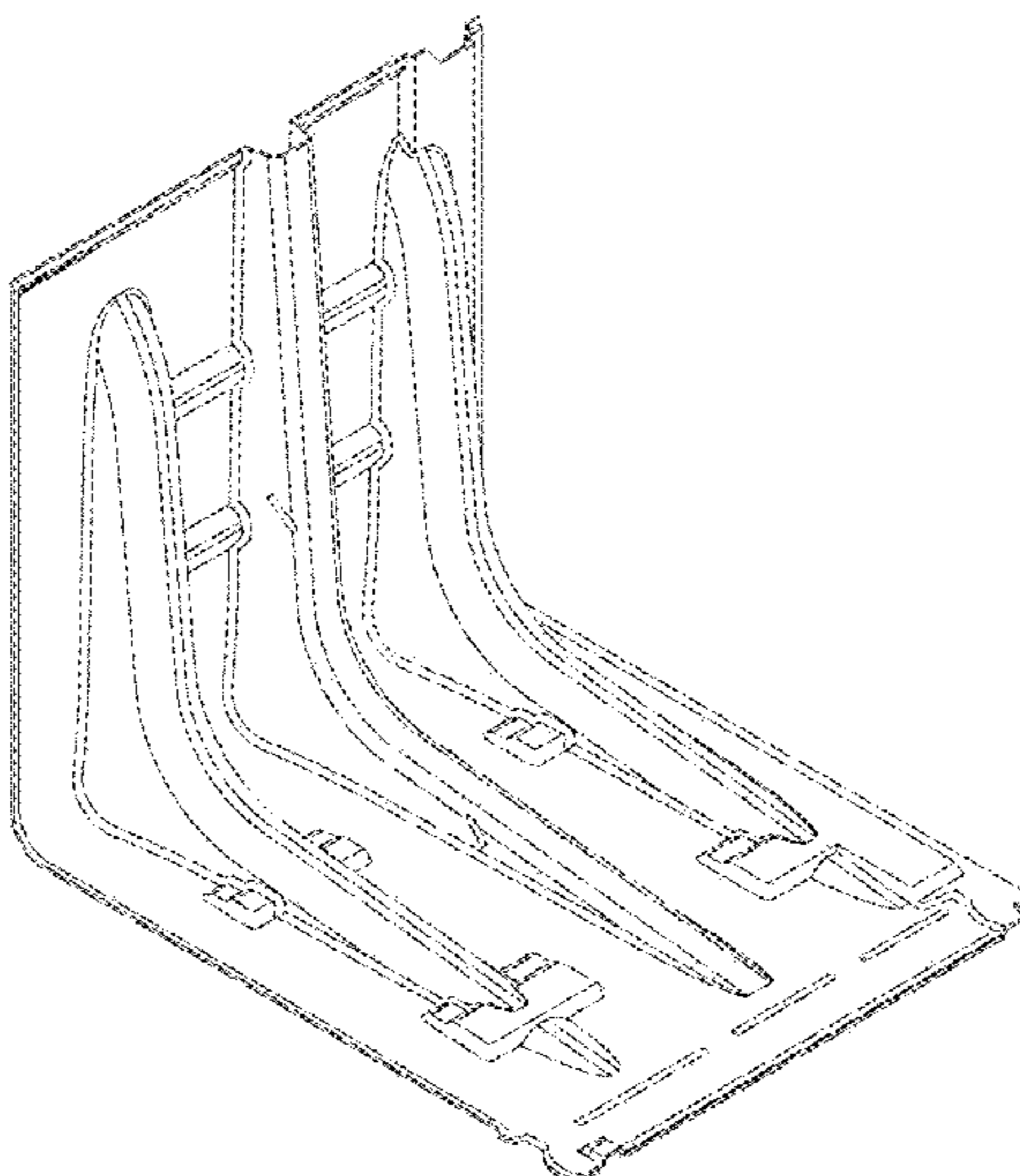
(57) **CLAIM**

The ornamental design for an anti flood barrier, as shown and described.

DESCRIPTION

1. Anti flood barriers
1.1 is a perspective view of an anti flood barrier showing my new design;
1.2 is a side elevation view thereof;
1.3 is a another side elevation view thereof;
1.4 is a front elevation view thereof;
1.5 is a rear elevation view thereof;
1.6 is a top plan view thereof; and
1.7 is a bottom plan view thereof.
The broken lines shown on the drawings are for the purpose of illustrating environmental structure and forms no part of the claimed design.

1 Claim, 7 Drawing Sheets



(56)

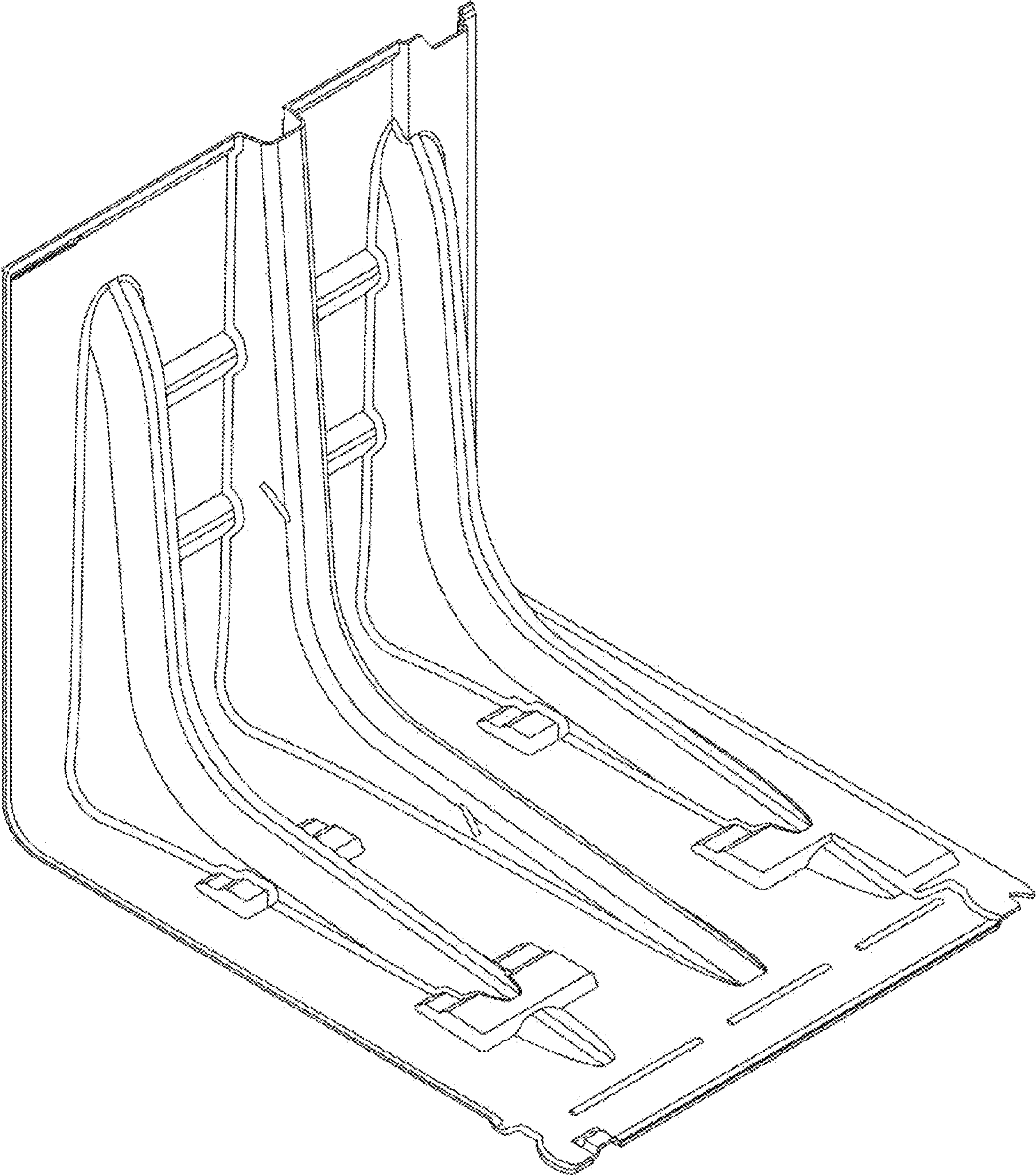
References Cited

U.S. PATENT DOCUMENTS

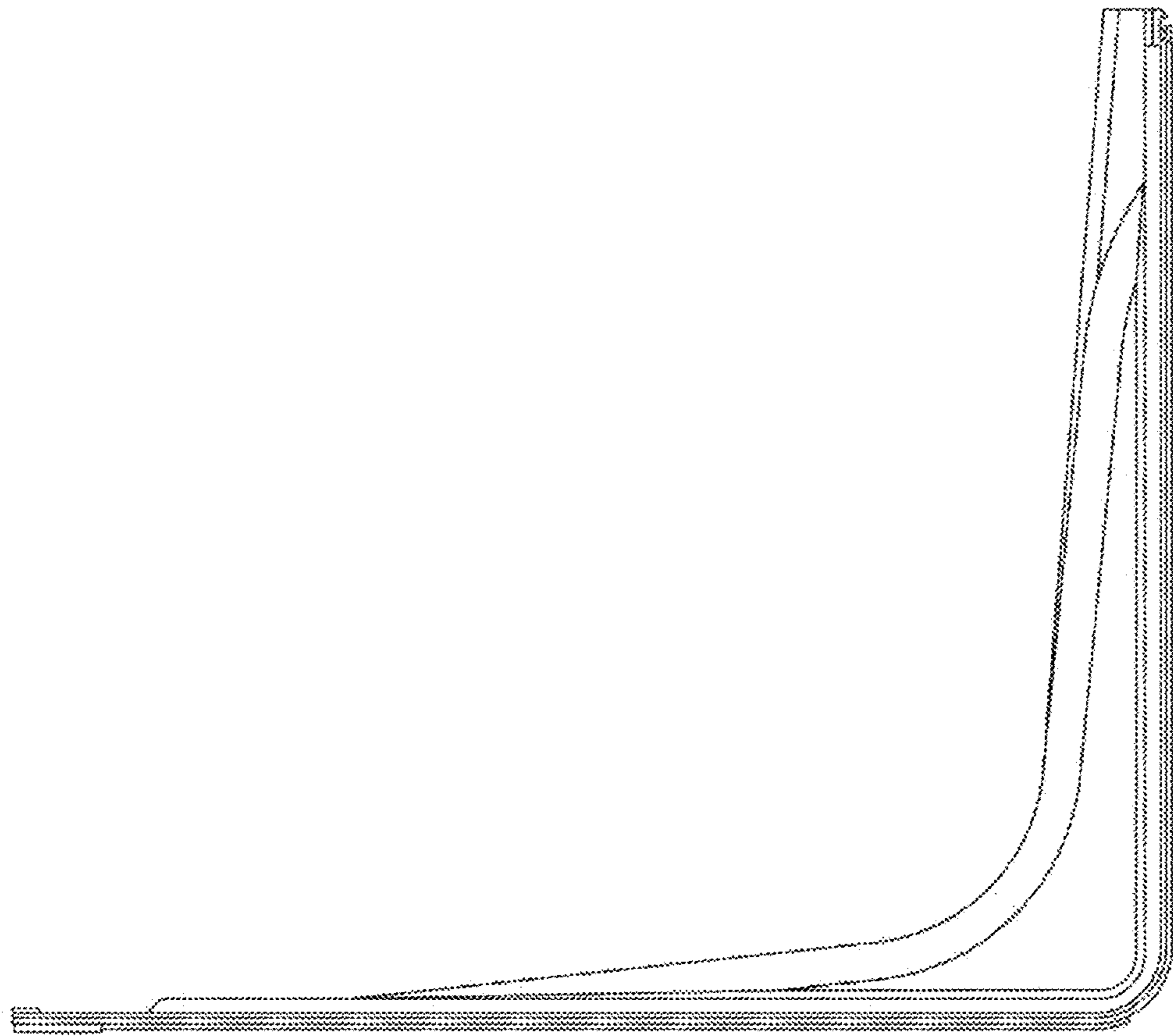
2004/0141807 A1* 7/2004 Yodock, Jr. E01F 15/083
404/6
2006/0201943 A1* 9/2006 Uffner B60B 33/08
220/23.83
2007/0009326 A1* 1/2007 Javanbakhsh E02B 3/106
405/114
2008/0286041 A1* 11/2008 Yodock, Jr. E01F 15/086
404/6
2010/0111602 A1* 5/2010 Yodock, III E01F 15/088
404/6
2010/0150667 A1* 6/2010 Phelps E02B 3/108
405/284

* cited by examiner

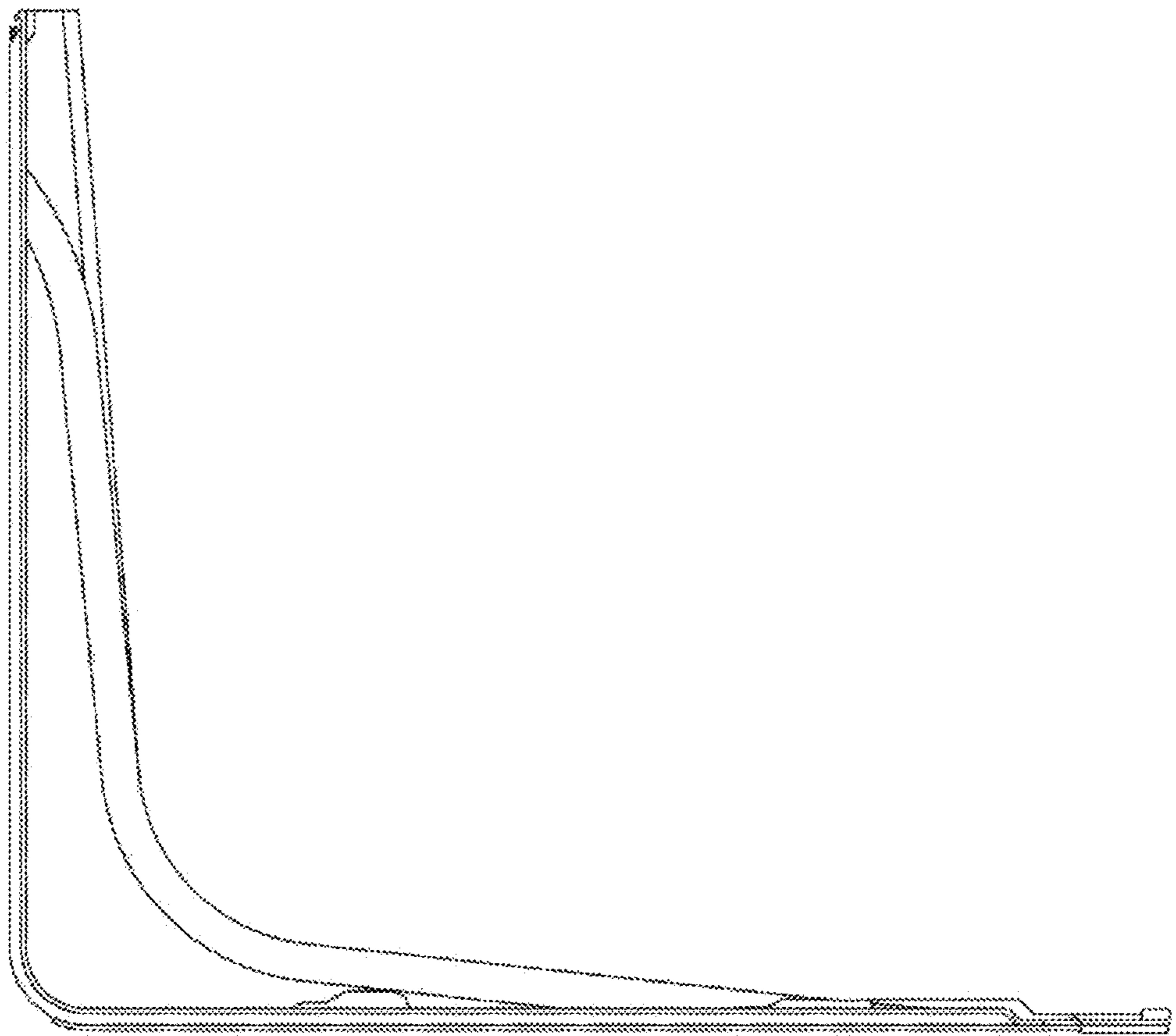
1.1



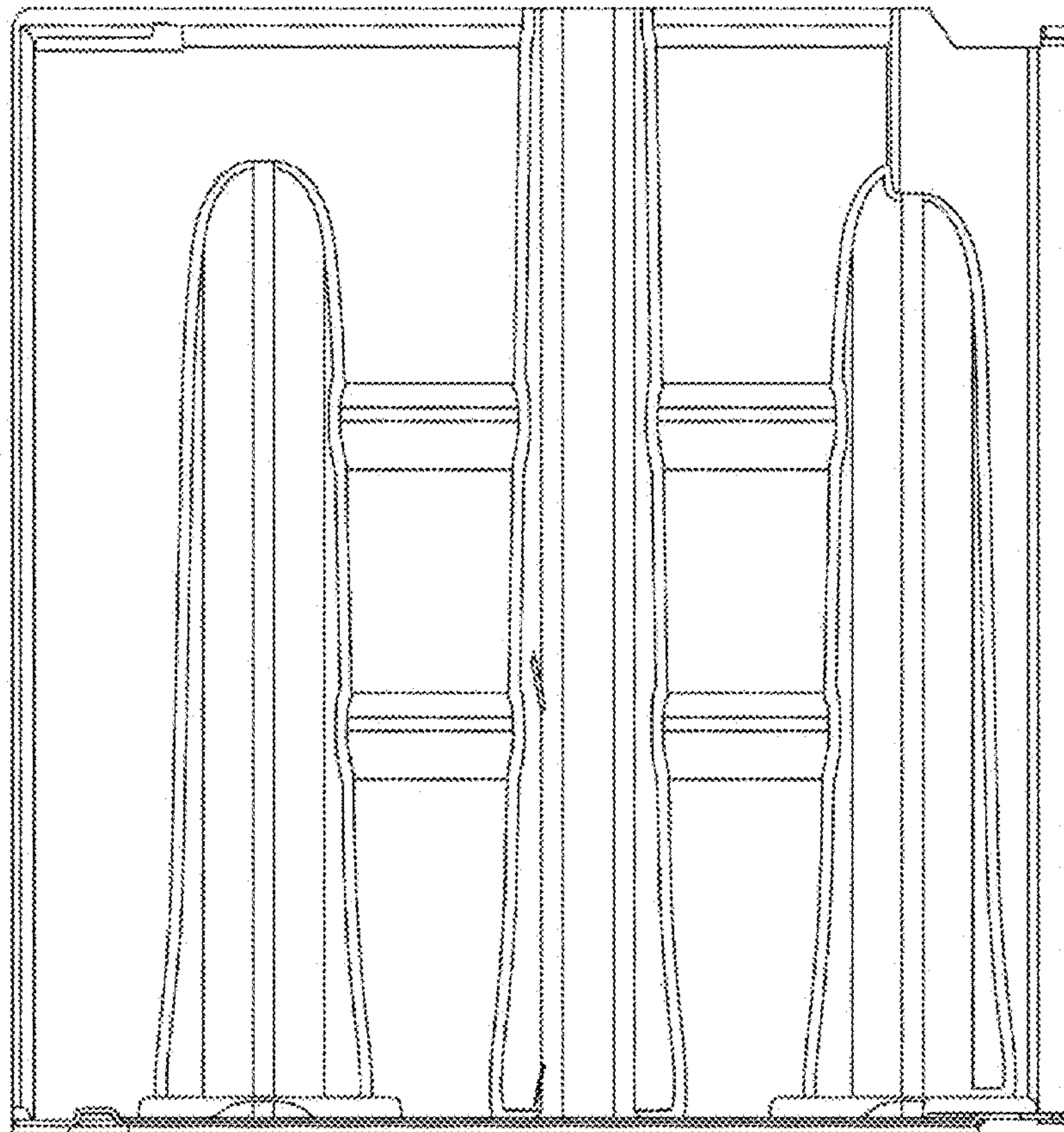
1.2



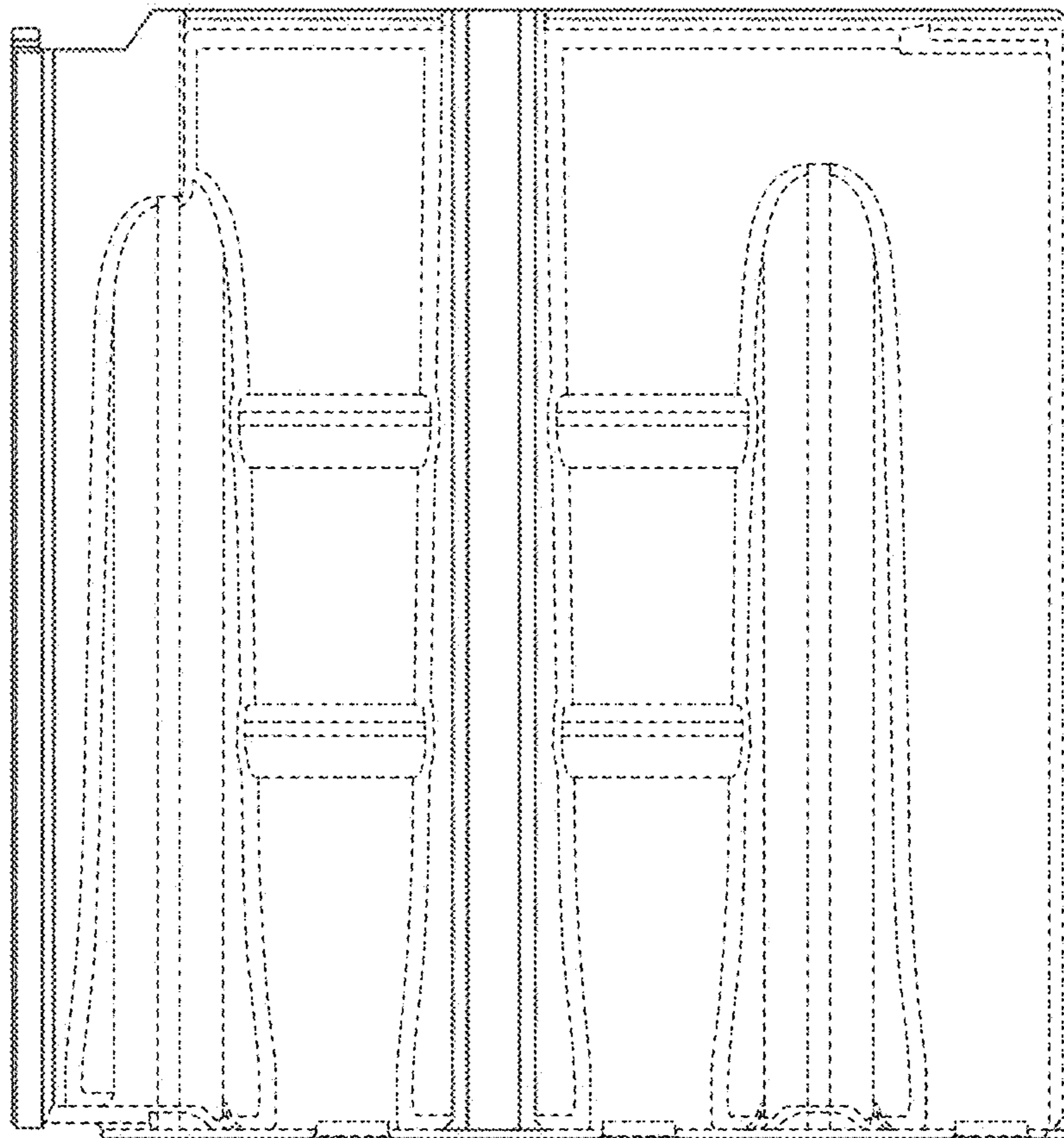
1.3



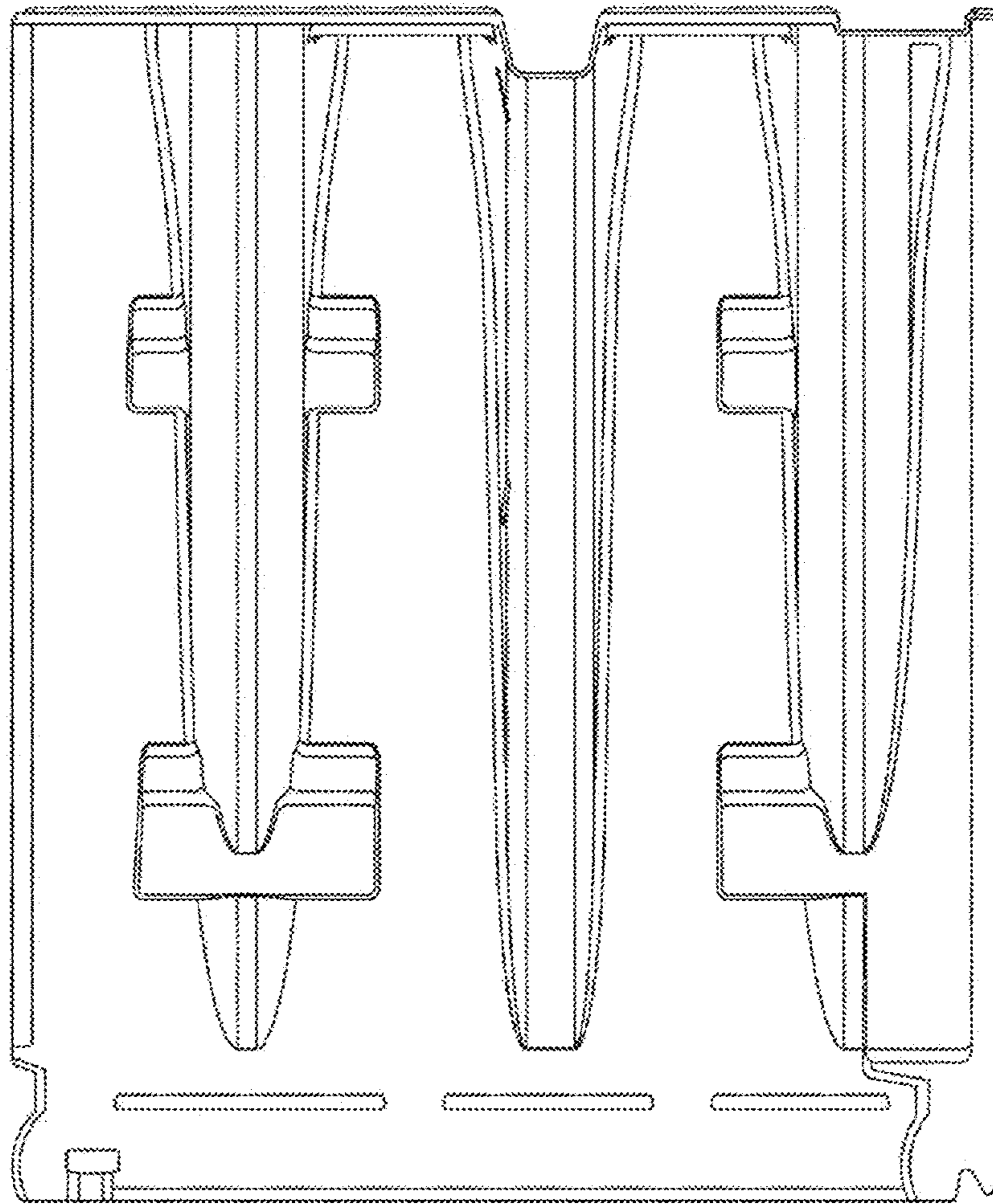
1.4



1.5



1.6



1.7

