



US00D931495S

(12) **United States Design Patent**
Wong

(10) **Patent No.:** **US D931,495 S**

(45) **Date of Patent:** **** Sep. 21, 2021**

(54) **ACOUSTIC BOOTH**

(71) Applicant: **Wintech Metal Processing Sdn Bhd,**
Banting (MY)

(72) Inventor: **Kim Hwa Wong,** Banting (MY)

(73) Assignee: **Wintech Metal Processing Sdn Bhd,**
Banting (MY)

(**) Term: **15 Years**

(21) Appl. No.: **29/689,101**

(22) Filed: **Apr. 26, 2019**

(30) **Foreign Application Priority Data**

Oct. 29, 2018 (MY) 18-01096-0101

(51) **LOC (13) Cl.** **25-03**

(52) **U.S. Cl.**
USPC **D25/16**

(58) **Field of Classification Search**

USPC D25/1, 3, 4, 7-11, 16, 18-21, 31-35;
D12/101-105; D6/332, 337, 640-644;
D16/215; D24/209, 210

CPC E04H 1/00-1277; E04H 1/14; E04H
2001/1283-1294

See application file for complete search history.

(56) **References Cited**

U.S. PATENT DOCUMENTS

D732,692 S * 6/2015 Hallfors D25/16
D844,811 S * 4/2019 Zhu D25/16
D844,815 S * 4/2019 Zhu D25/16
D844,816 S * 4/2019 Zhu D25/16
D846,757 S * 4/2019 Zhu D25/16
D857,233 S * 8/2019 Zhu D25/16
D870,316 S * 12/2019 Haveri D25/16
D880,000 S * 3/2020 Albarran D25/16

D910,205 S * 2/2021 Nakata D25/16
D910,206 S * 2/2021 Nakata D25/16
D911,552 S * 2/2021 Kitada D25/16
D912,844 S * 3/2021 Pucci D25/16

(Continued)

FOREIGN PATENT DOCUMENTS

EM 005403011-0001 * 7/2018

OTHER PUBLICATIONS

Spacio Phone Booths, Jan. 29, 2015, apres furniture, <https://www.apresfurniture.co.uk/spacio-phone-booths> (Year: 2015).*

Primary Examiner — Brett Miller

(74) *Attorney, Agent, or Firm* — Preston Smirman;
Smirman IP Law, PLLC

(57) **CLAIM**

I claim the ornamental design for an acoustic booth, as shown and described.

DESCRIPTION

FIG. 1 is a first perspective view of my design for an acoustic booth;

FIG. 2 is a second perspective view of my design for an acoustic booth;

FIG. 3 is a third perspective view of my design for an acoustic booth;

FIG. 4 is a fourth perspective view of my design for an acoustic booth;

FIG. 5 is a front view of my design for an acoustic booth;

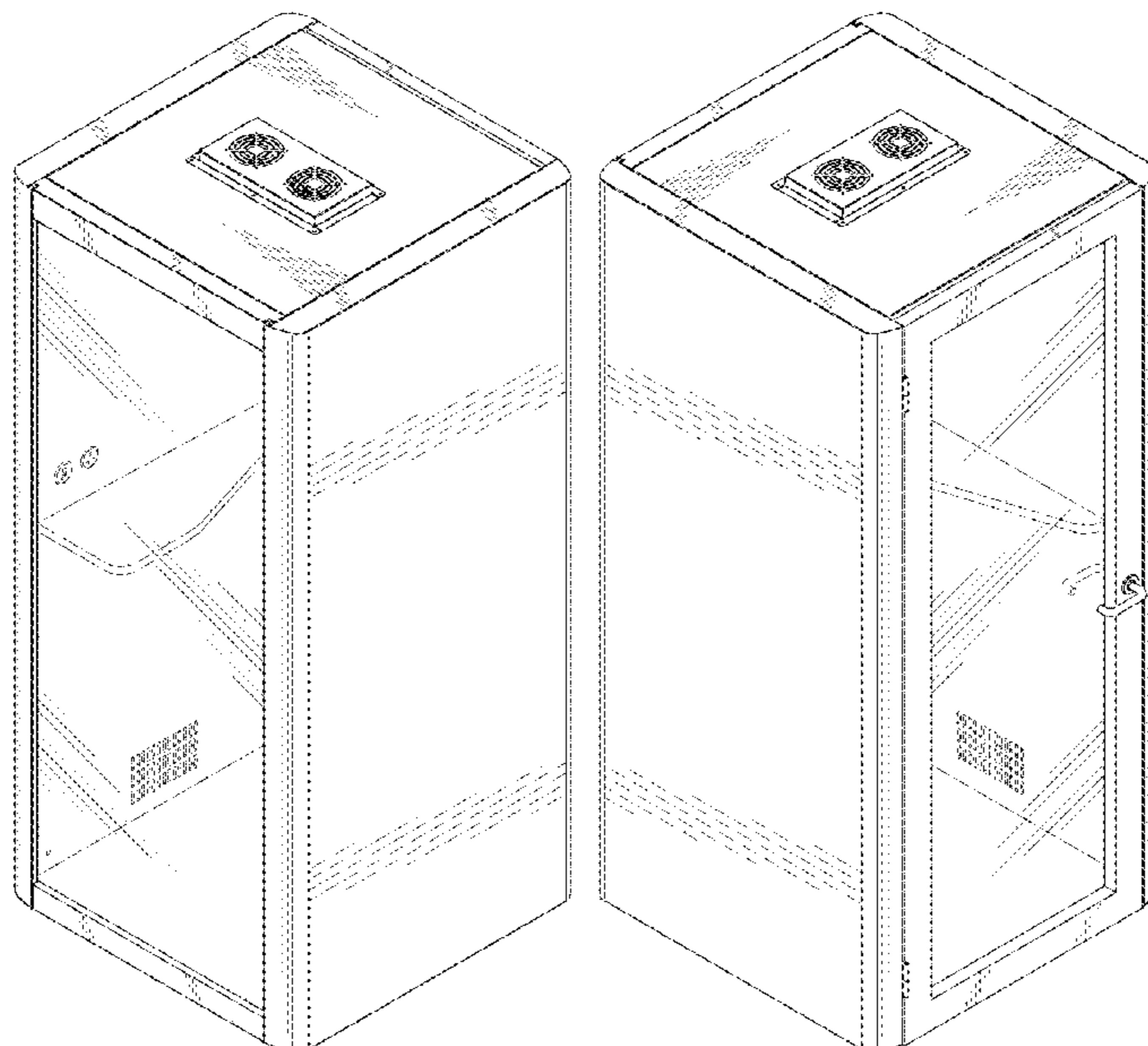
FIG. 6 is a rear view of my design for an acoustic booth;

FIG. 7 is a left side view of my design for an acoustic booth;

FIG. 8 is a right side view of my design for an acoustic booth;

FIG. 9 is a top view of my design for an acoustic booth; and,
FIG. 10 is a bottom view of my design for an acoustic booth.

1 Claim, 10 Drawing Sheets



(56)

References Cited

U.S. PATENT DOCUMENTS

D921,924 S * 6/2021 Ko D25/16
D922,613 S * 6/2021 Pucci D25/16
2016/0312486 A1* 10/2016 Booker E04H 1/125

* cited by examiner

FIG. 1

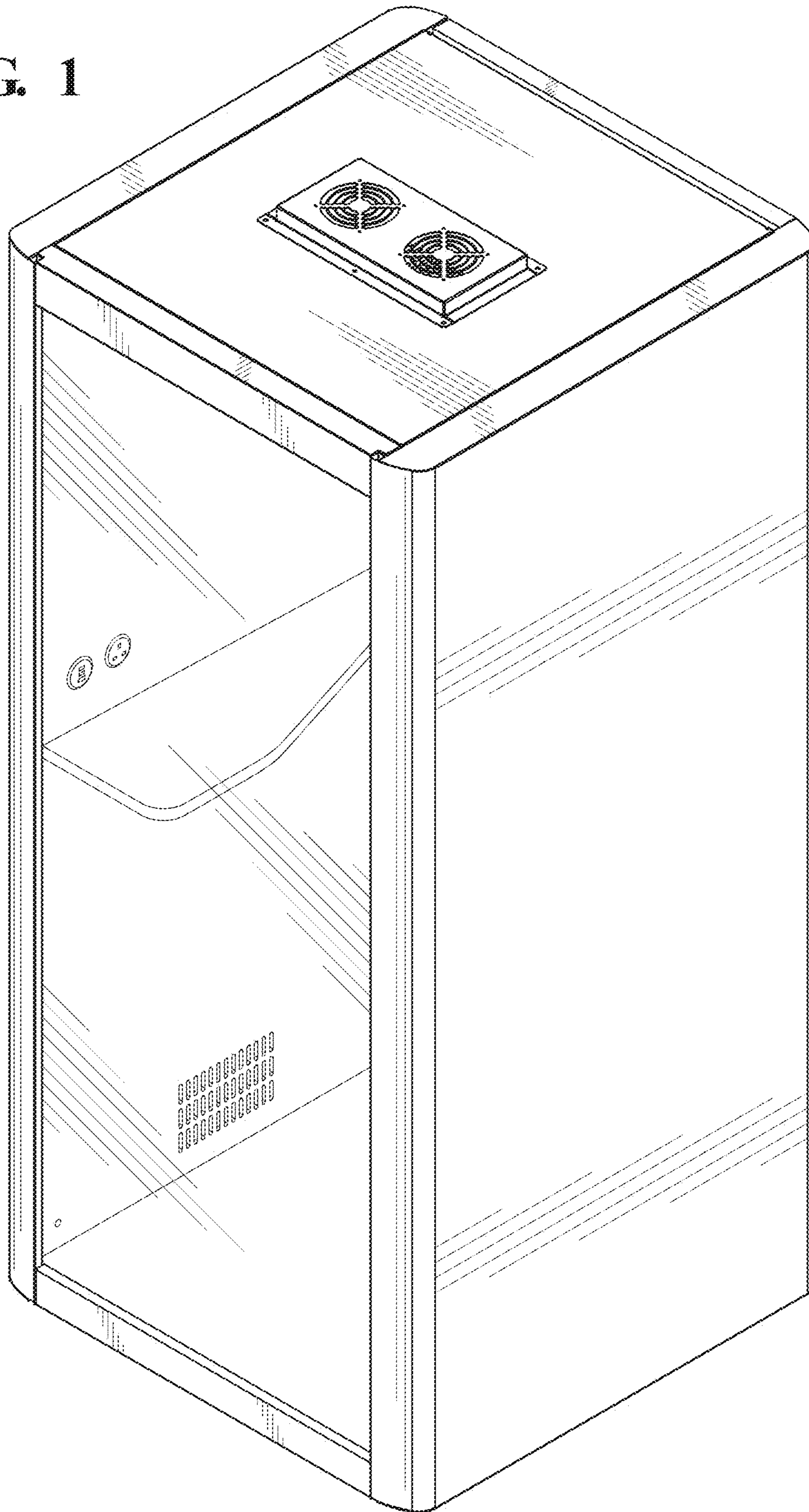


FIG. 2

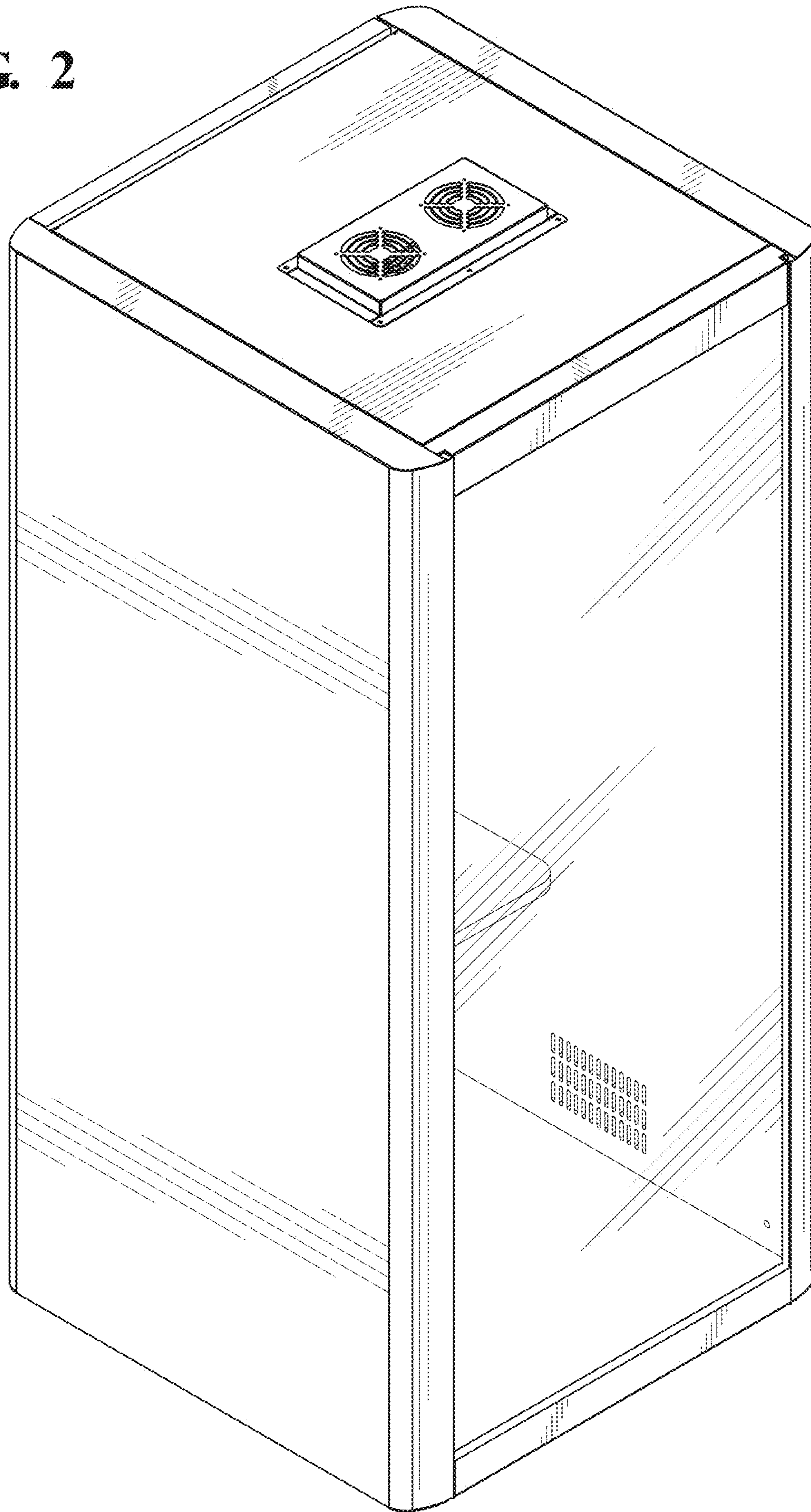


FIG. 3

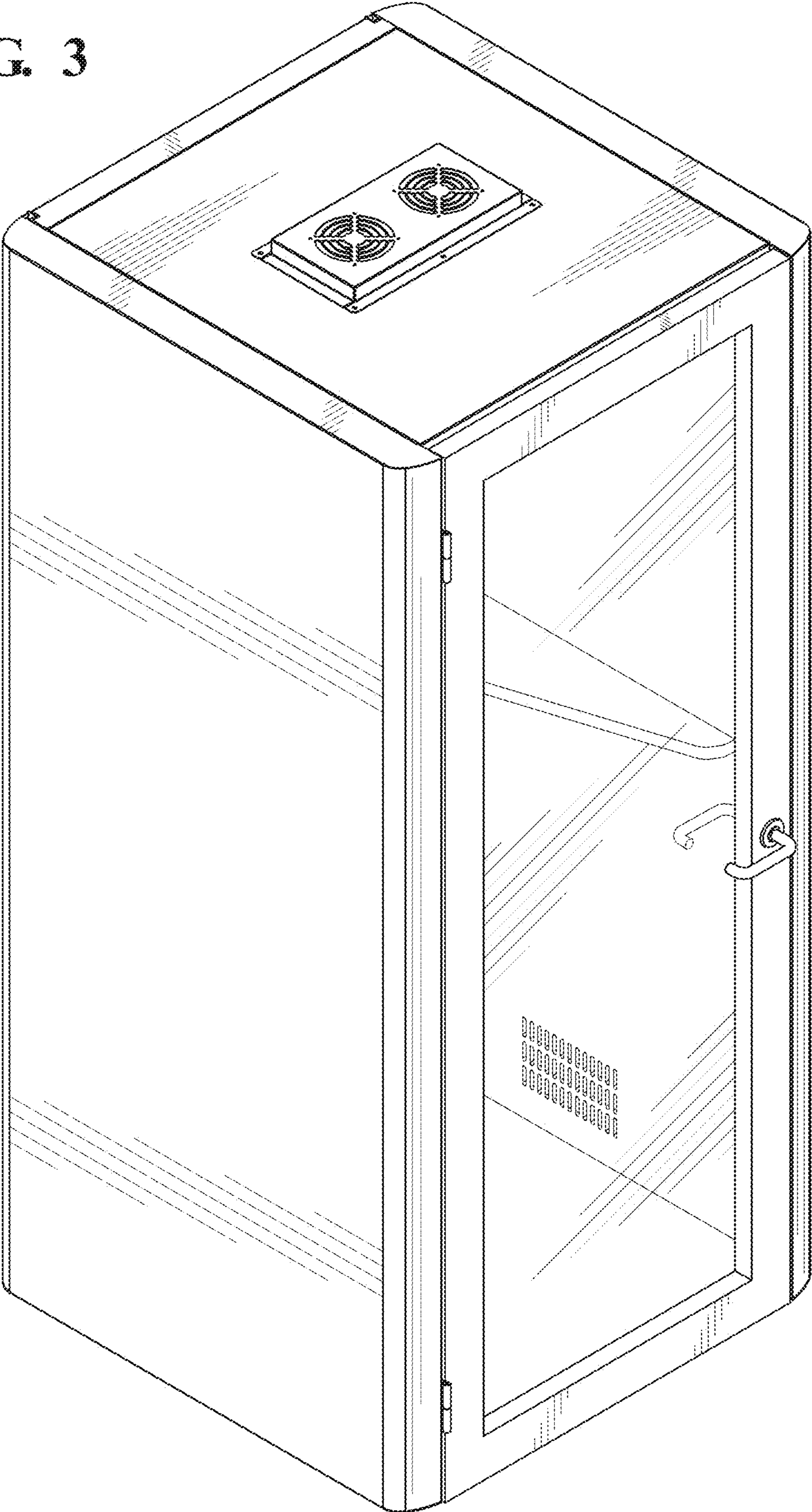


FIG. 4

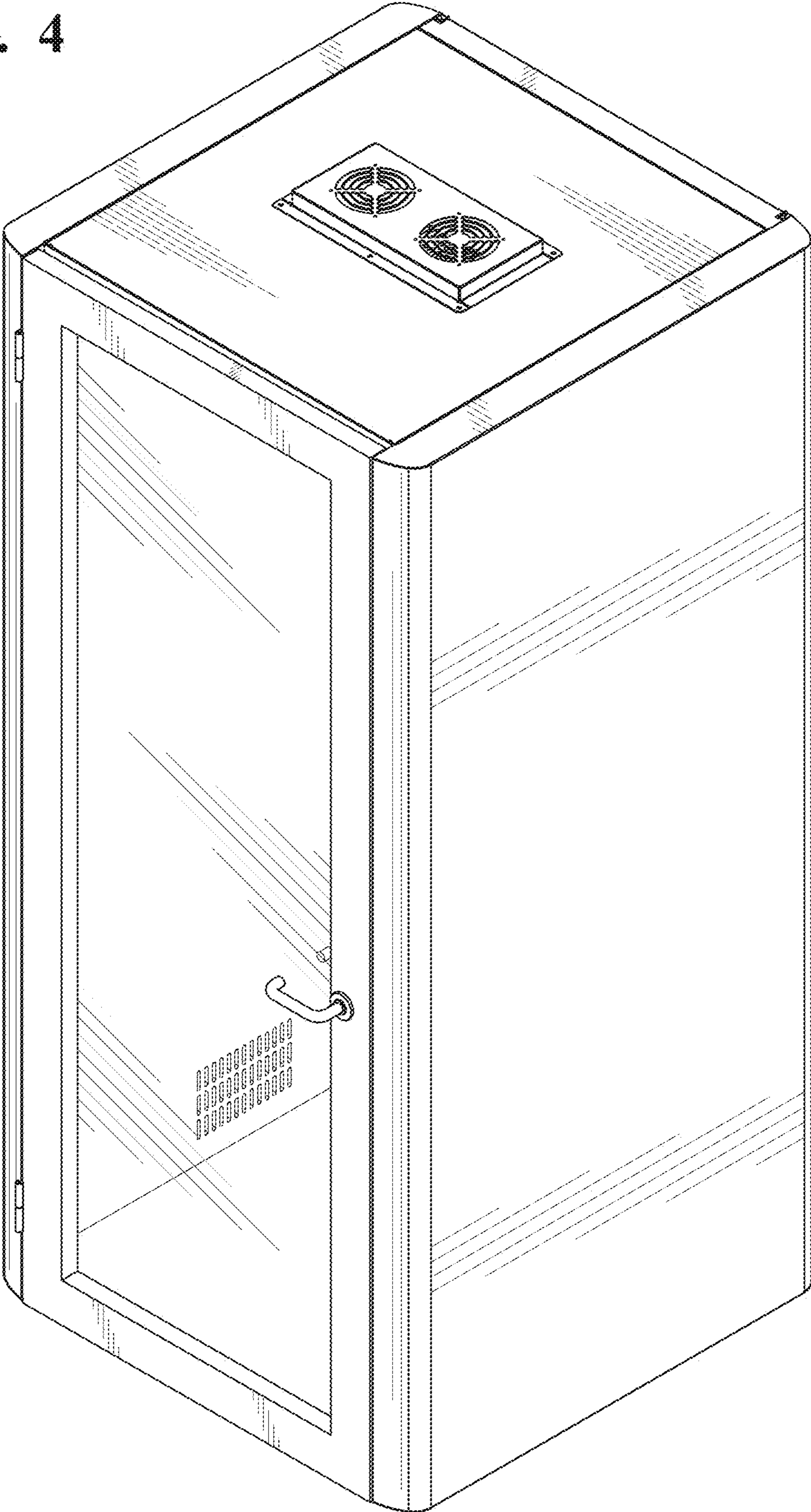


FIG. 5

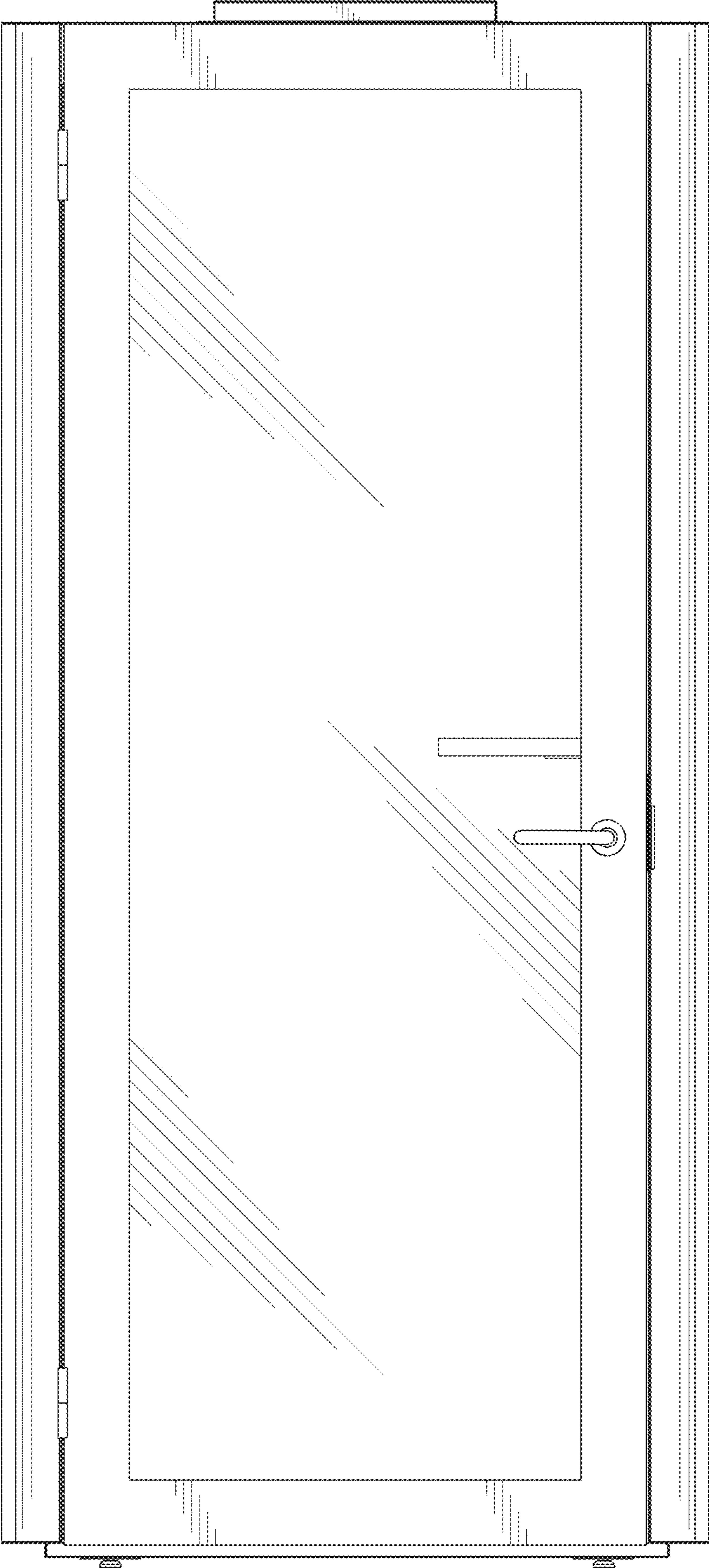


FIG. 6

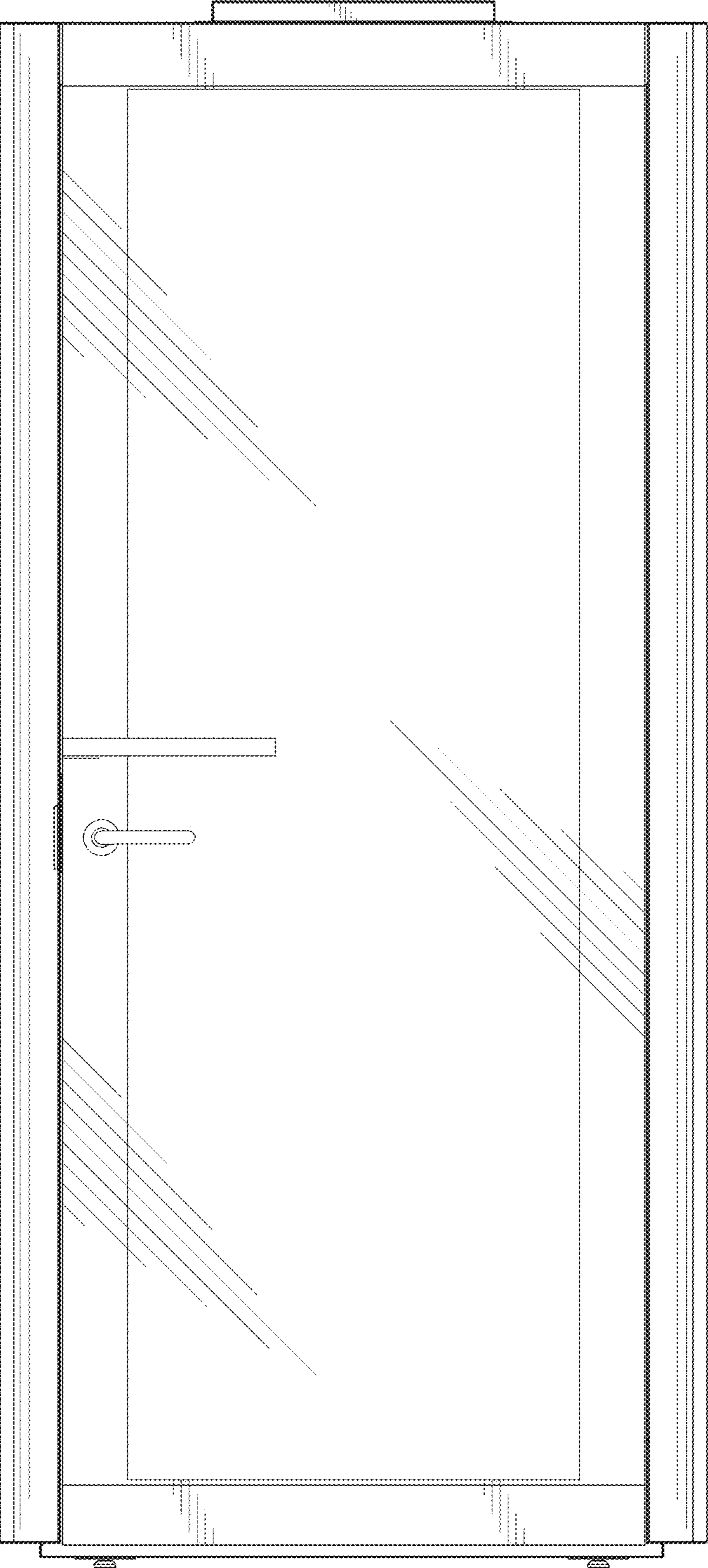


FIG. 7

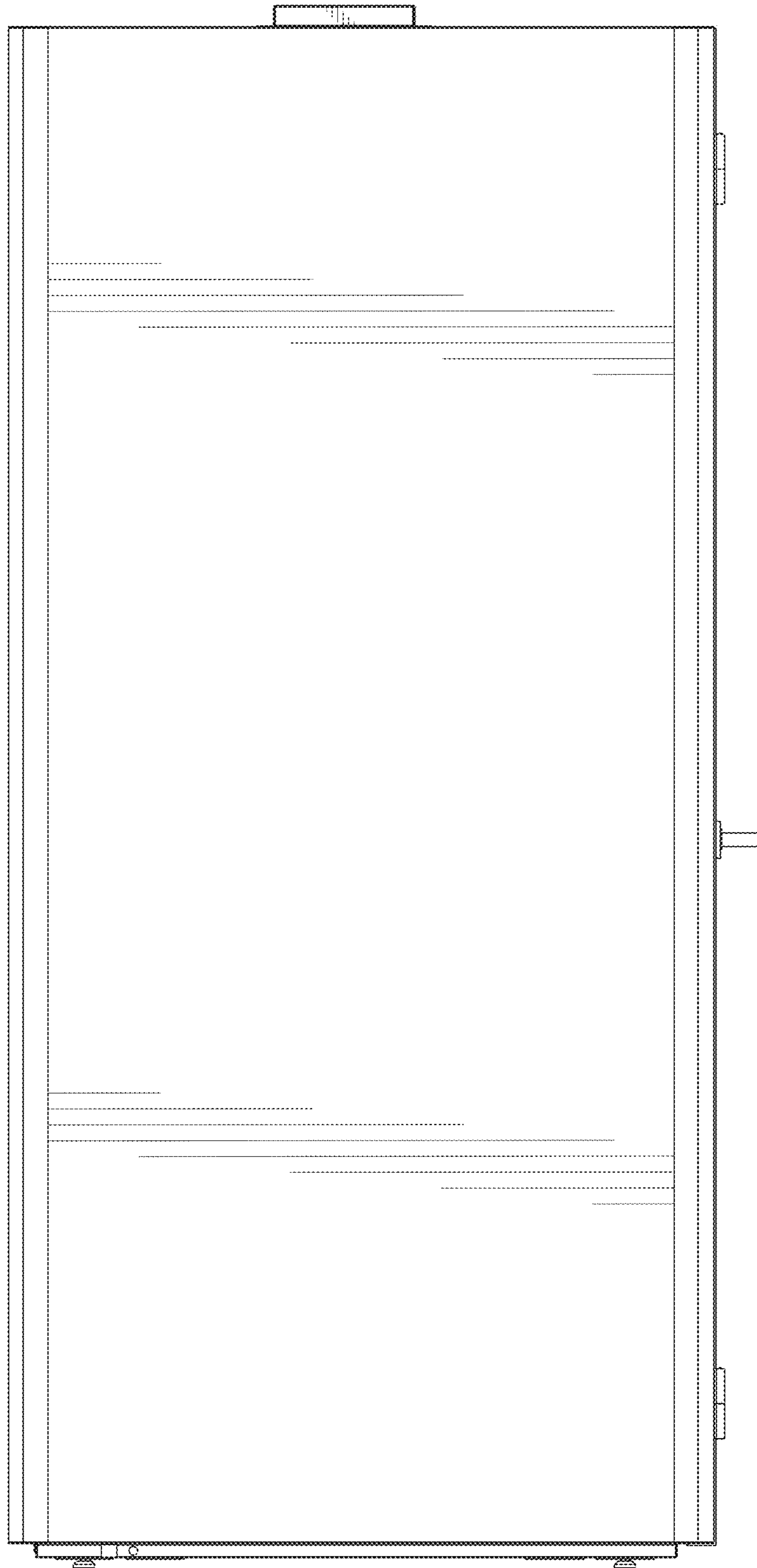
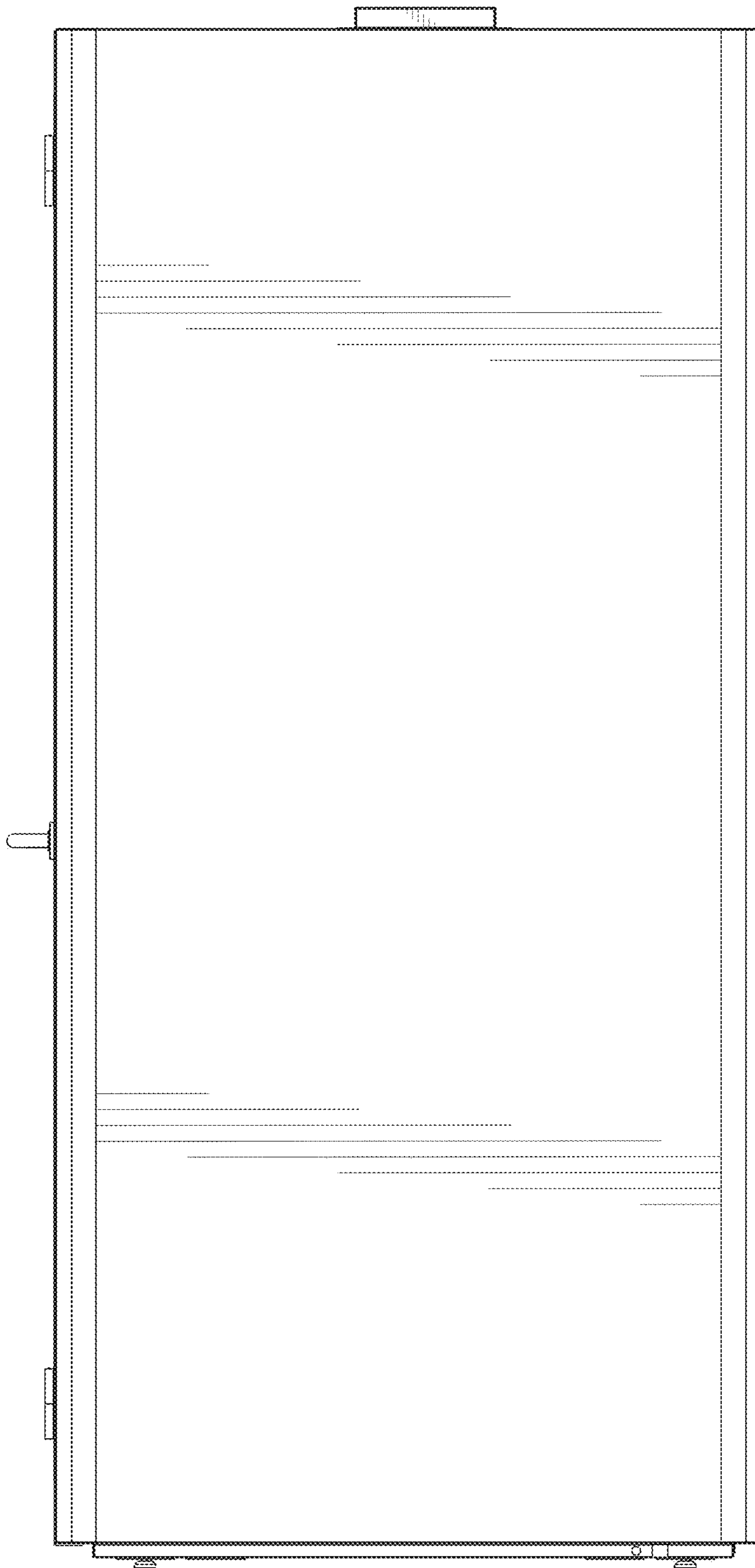


FIG. 8



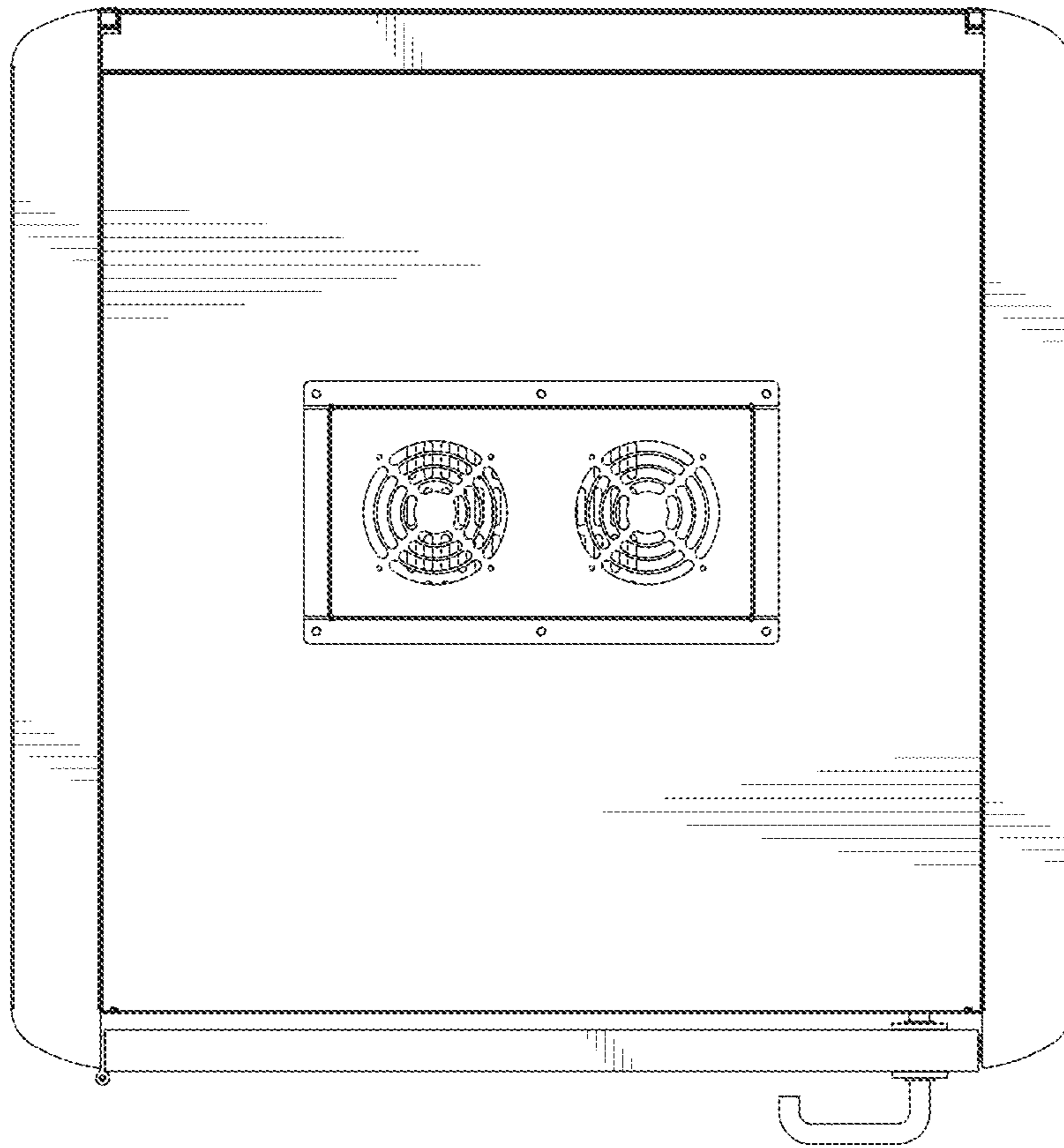


FIG. 9

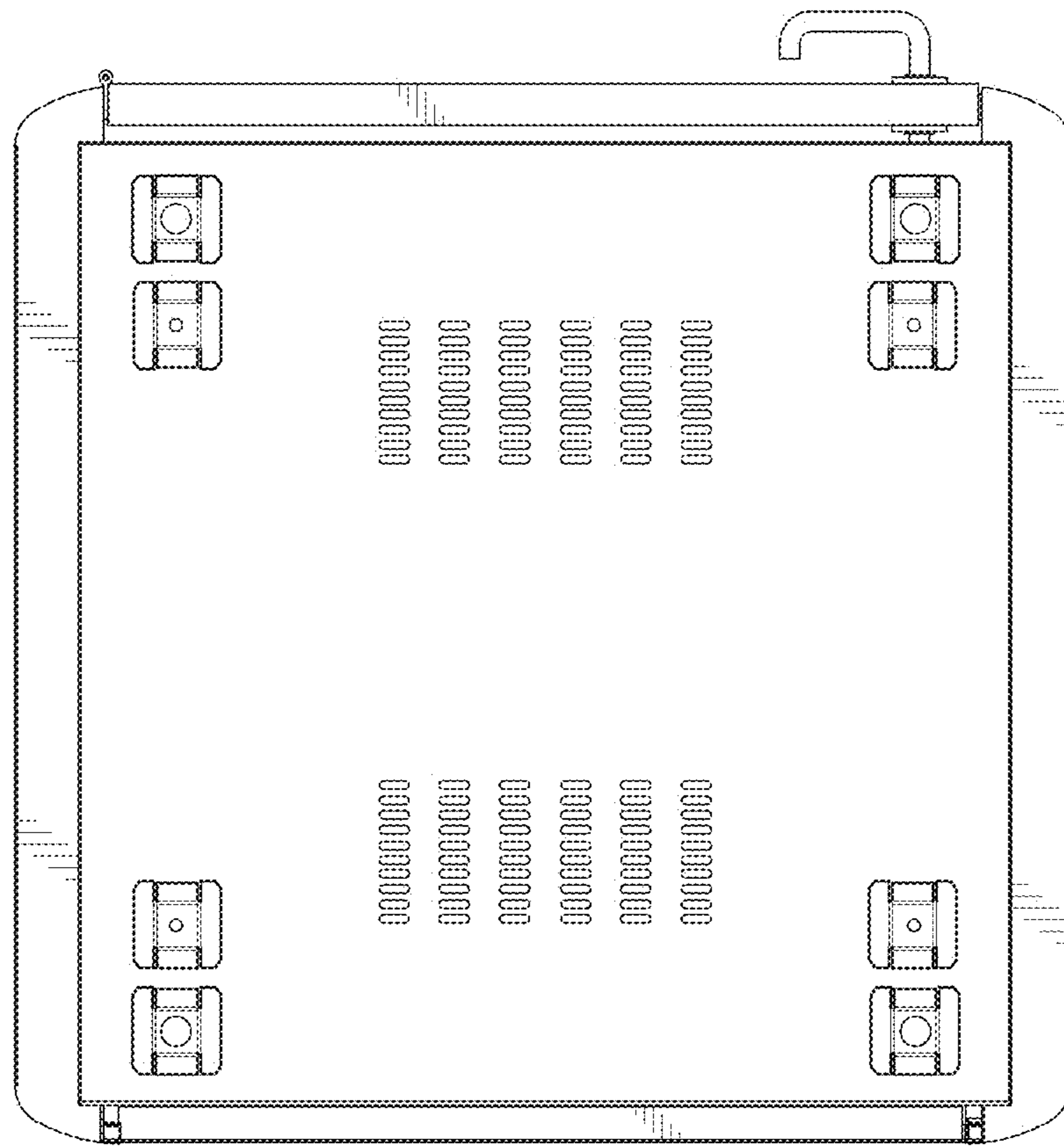


FIG. 10