



US00D931494S

(12) **United States Design Patent** (10) **Patent No.:** **US D931,494 S**  
**Elmoznino** (45) **Date of Patent:** **\*\* Sep. 21, 2021**

(54) **REAGENT TUBE** 8,673,242 B2 \* 3/2014 Shick ..... B65D 41/0471  
422/550  
(71) Applicant: **LIFE TECHNOLOGIES** D709,374 S \* 7/2014 Wilcox ..... D9/453  
**CORPORATION**, Carlsbad, CA (US) D833,875 S \* 11/2018 Harrison ..... D9/503  
D834,950 S \* 12/2018 Aboabdo ..... D9/503  
(72) Inventor: **Michael Elmoznino**, Lyme, CT (US) D850,647 S \* 6/2019 Jackson ..... D24/224  
D902,429 S \* 11/2020 Ganeshan ..... D24/224  
(73) Assignee: **LIFE TECHNOLOGIES** 2002/0141904 A1 \* 10/2002 Rosen ..... B01L 3/50825  
**CORPORATION**, Carlsbad, CA (US) 422/550  
2008/0047908 A1 \* 2/2008 Sekine ..... A61B 5/150213  
210/787  
(\*\*) Term: **15 Years** 2015/0290640 A1 \* 10/2015 Goettke ..... B01L 3/5021  
220/288

(21) Appl. No.: **29/710,653**  
(22) Filed: **Oct. 24, 2019**  
(51) **LOC (13) Cl.** ..... **24-02**  
(52) **U.S. Cl.**  
USPC ..... **D24/224**  
(58) **Field of Classification Search**  
USPC ..... D24/107, 108, 112, 119, 121–123, 127,  
D24/129, 186, 216, 223–225, 231, 232;  
D9/420, 503, 516, 519–521, 542, 558,  
D9/529, 549; D3/203.1–203.8; D7/509  
CPC ..... B01L 3/5021; B01L 3/50825; A61B  
5/150213  
See application file for complete search history.

(56) **References Cited**  
U.S. PATENT DOCUMENTS  
2,790,576 A \* 4/1957 Lawrence ..... B65D 43/0222  
220/799  
D243,628 S \* 3/1977 Biondo ..... D24/224  
4,171,057 A \* 10/1979 Gach ..... B65D 50/048  
215/211  
D274,132 S \* 6/1984 Nightingale, III ..... D9/453  
D401,697 S \* 11/1998 Cloonan ..... D24/224  
D455,963 S \* 4/2002 Schmitt ..... D9/516  
D481,801 S \* 11/2003 Whitley ..... D24/224  
7,387,216 B1 \* 6/2008 Smith ..... B65D 47/0842  
220/254.3  
D668,778 S \* 10/2012 Motadel ..... D24/224  
D688,796 S \* 8/2013 Niunoya ..... D24/127

**OTHER PUBLICATIONS**

Fisherbrand™ Microcentrifuge Tubes with Tether Cap. Online, published date unknown. Retrieved on Feb. 17, 2021 from URL: <https://www.fishersci.ca/shop/products/fisherbrand-microcentrifuge-tubes-tether-cap-12/02707350>.  
5.0 mL tubes with screw cap. Online, published date unknown. Retrieved on Feb. 17, 2021 from URL: <https://www.ddbiolab.com/frontoffice/product?produitId=0H-03-05>.

\* cited by examiner

*Primary Examiner* — Susan Bennett Hattan  
*Assistant Examiner* — Omeed Agilee

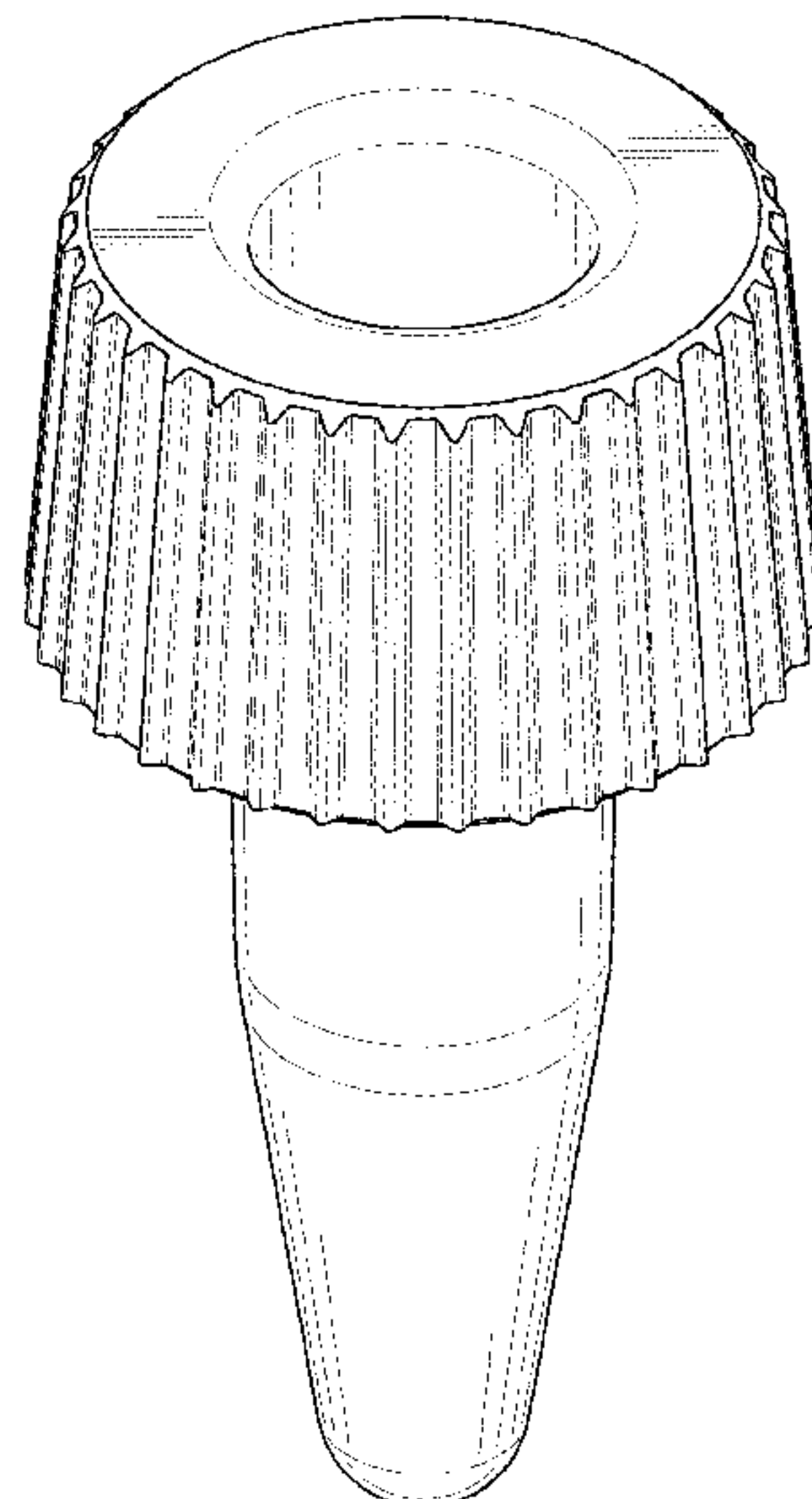
(57) **CLAIM**

The ornamental design for a reagent tube, as shown and described.

**DESCRIPTION**

FIG. 1 is a top perspective view of a reagent tube;  
FIG. 2 is a bottom perspective view thereof;  
FIG. 3 is a side view thereof;  
FIG. 4 is another side view thereof;  
FIG. 5 is a further side view thereof;  
FIG. 6 is an additional side view thereof;  
FIG. 7 is a top view thereof; and,  
FIG. 8 is a bottom view thereof.

**1 Claim, 8 Drawing Sheets**



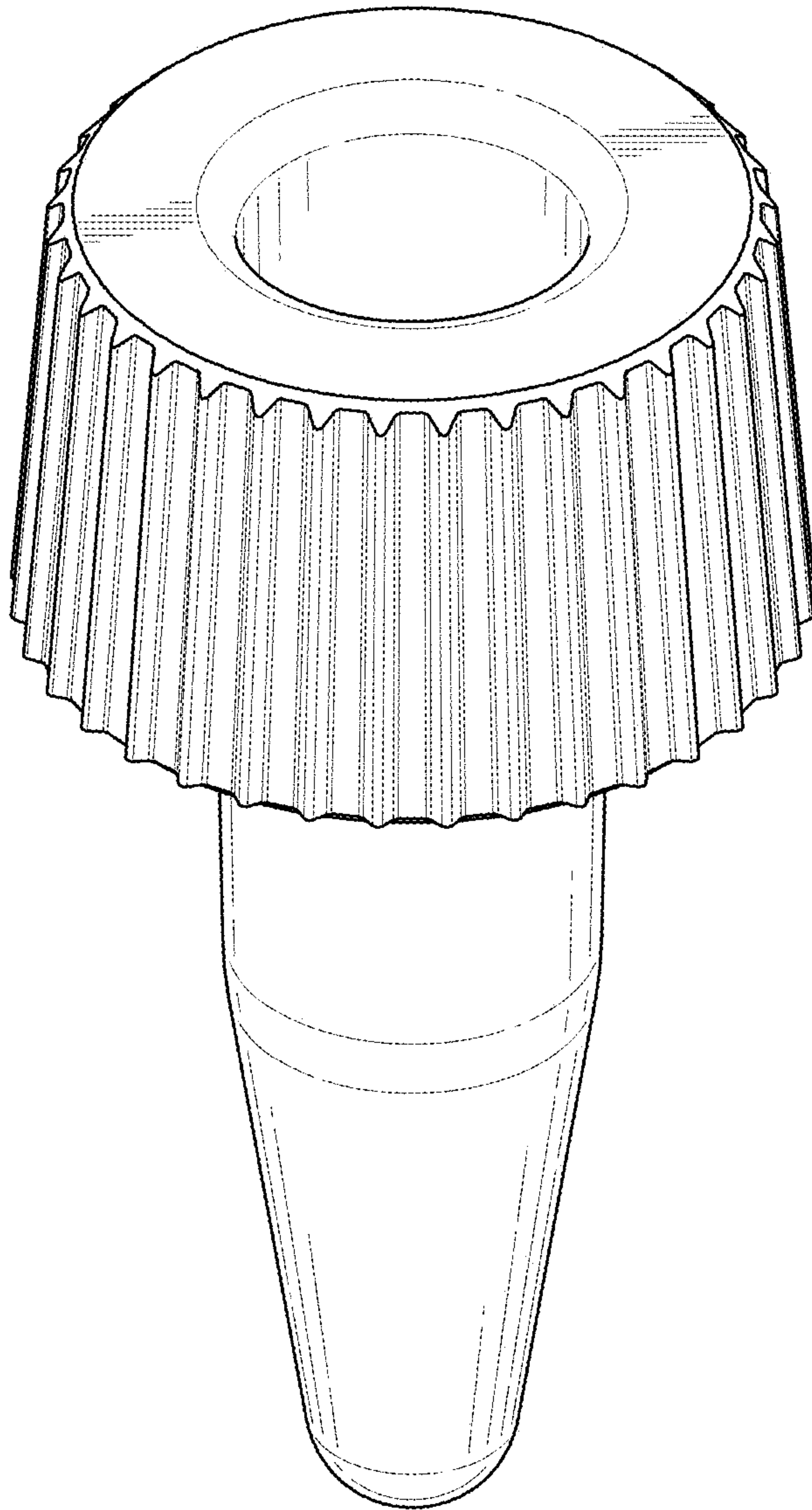


FIG. 1

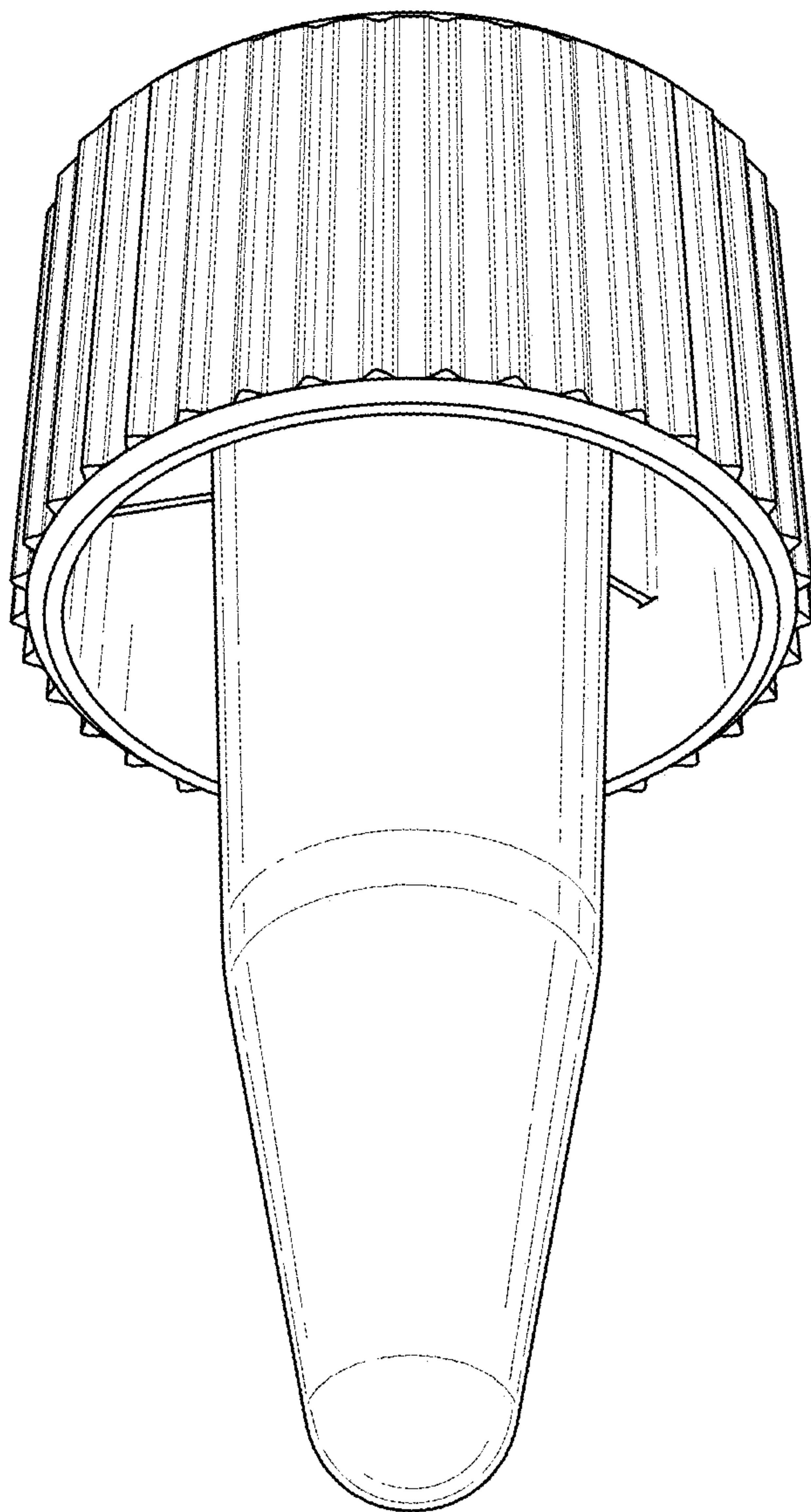


FIG. 2

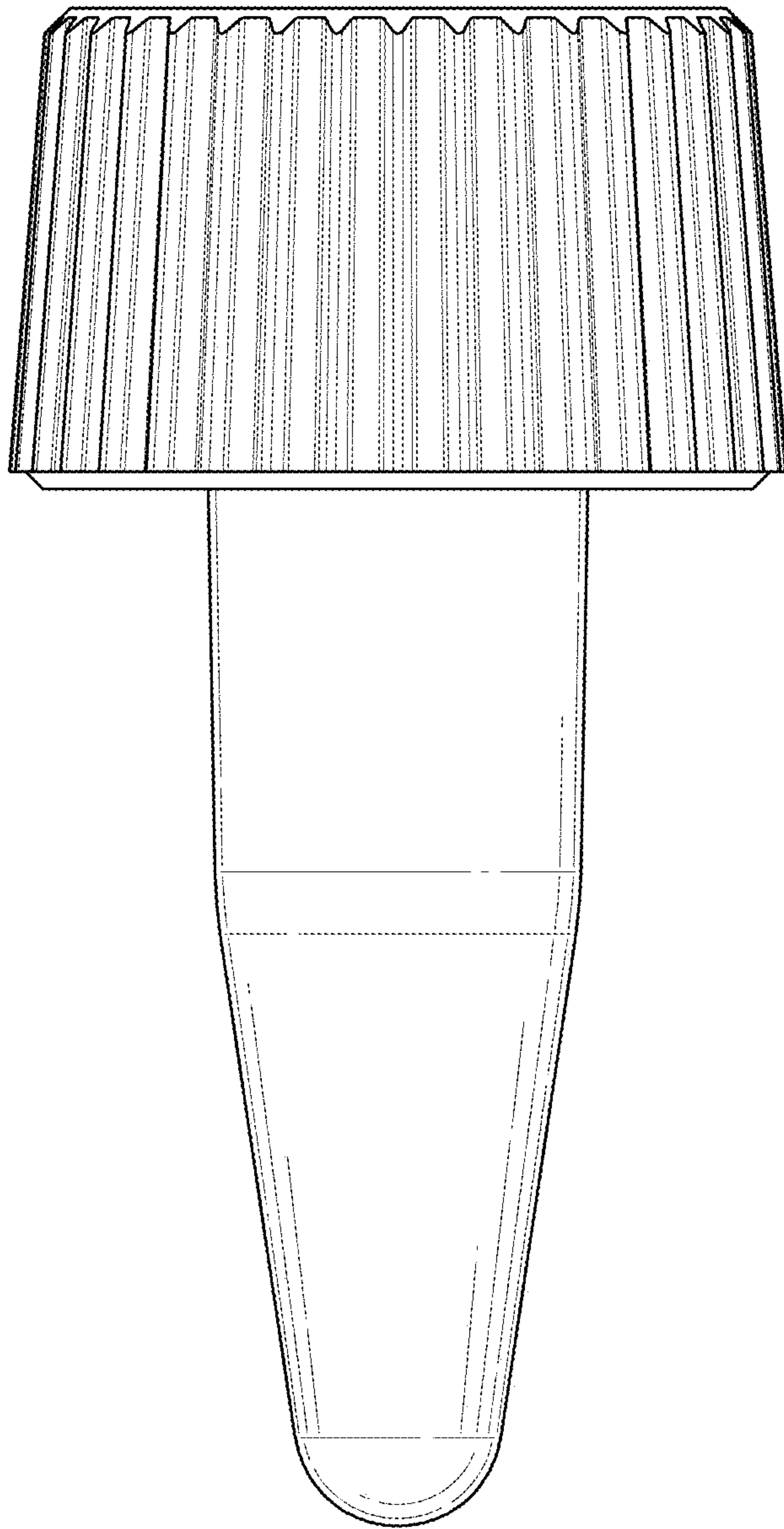


FIG. 3



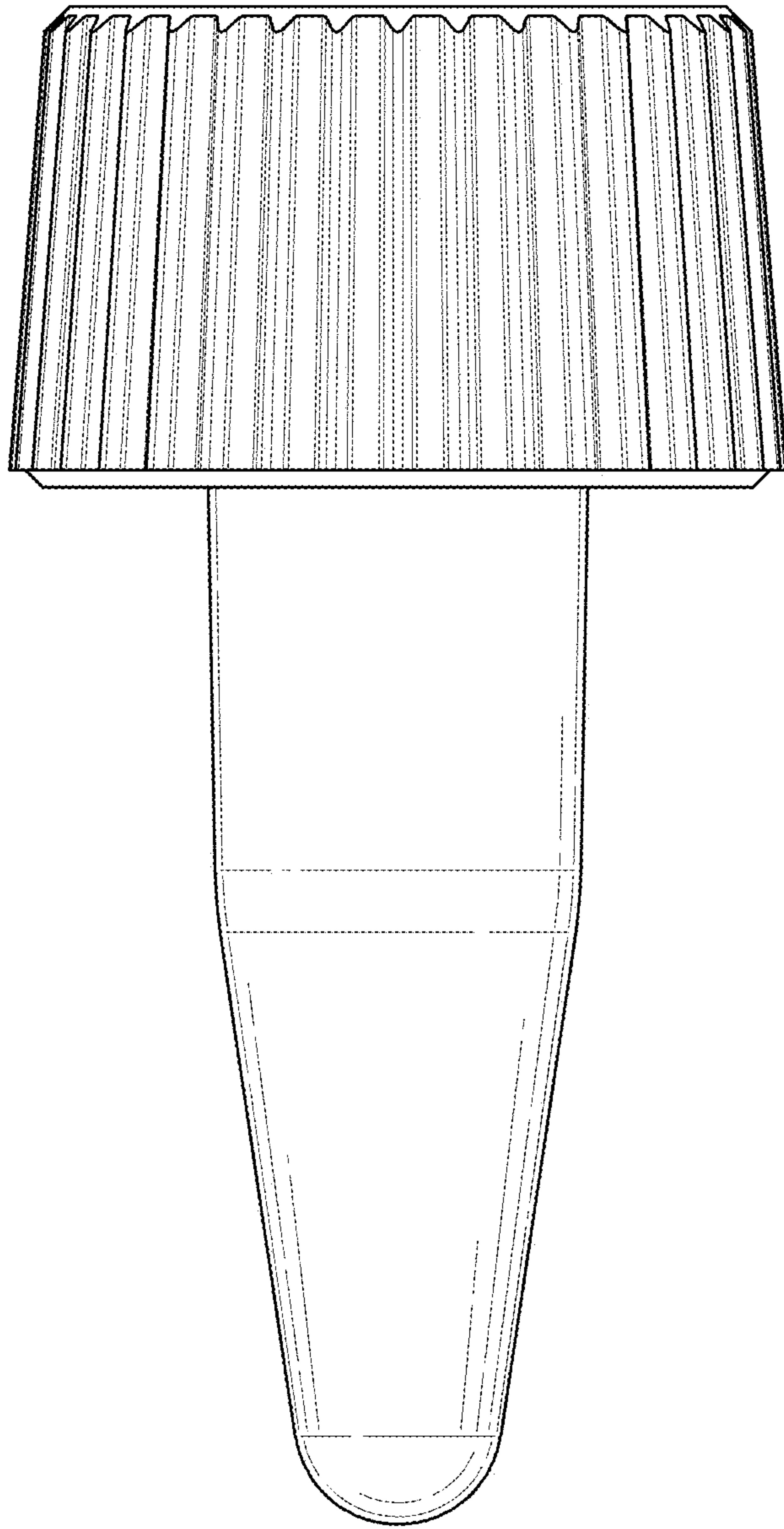


FIG. 4

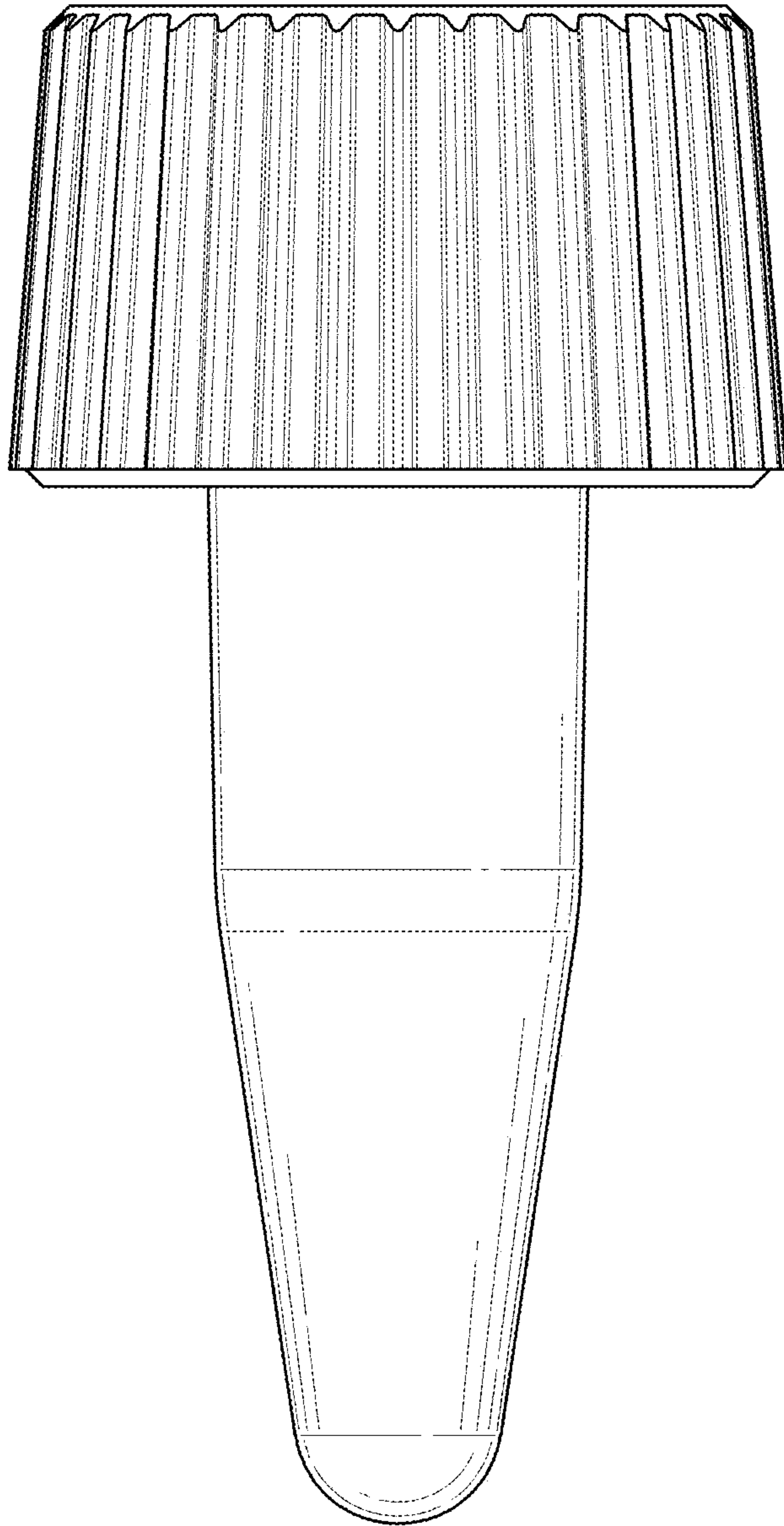


FIG. 5

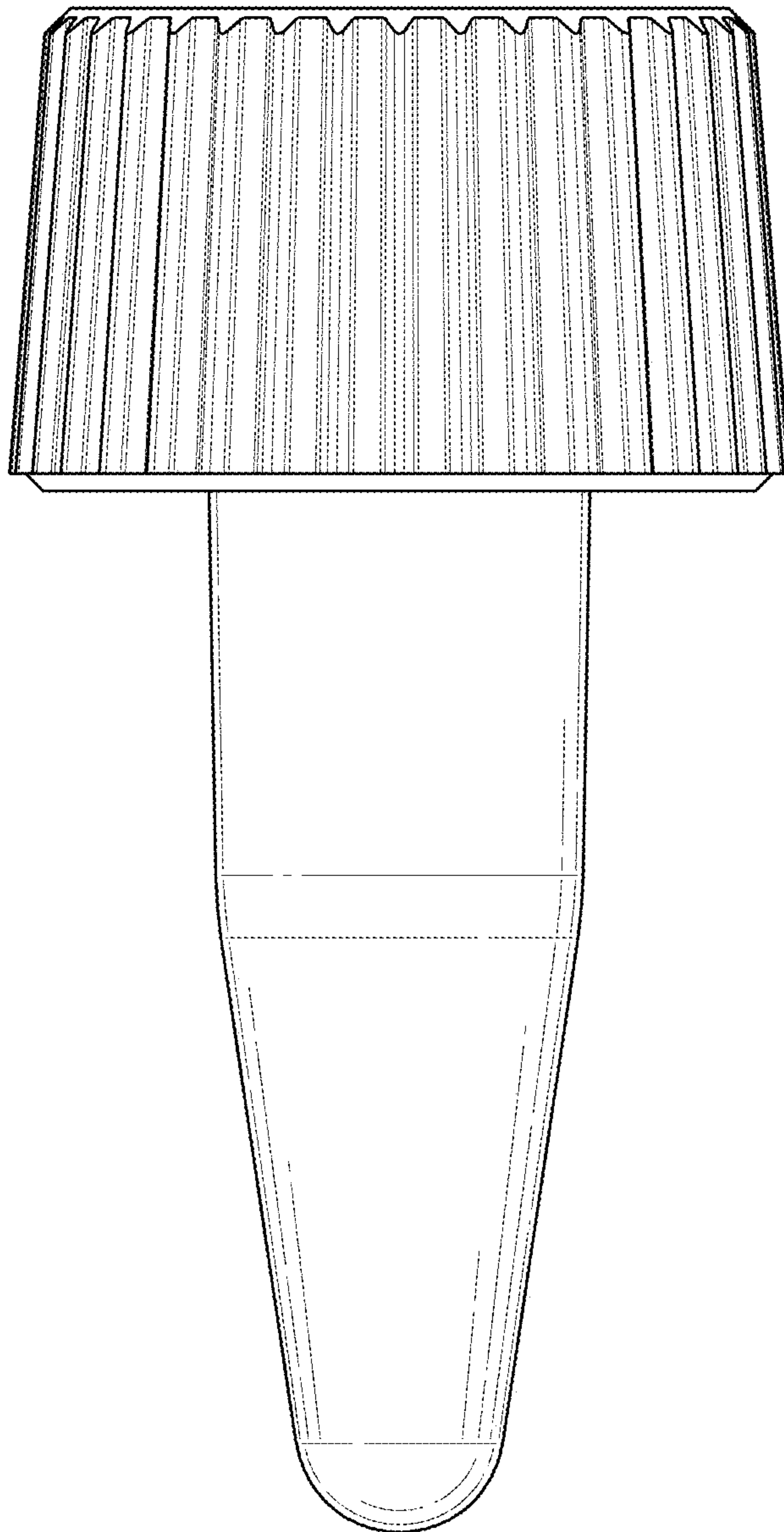


FIG. 6

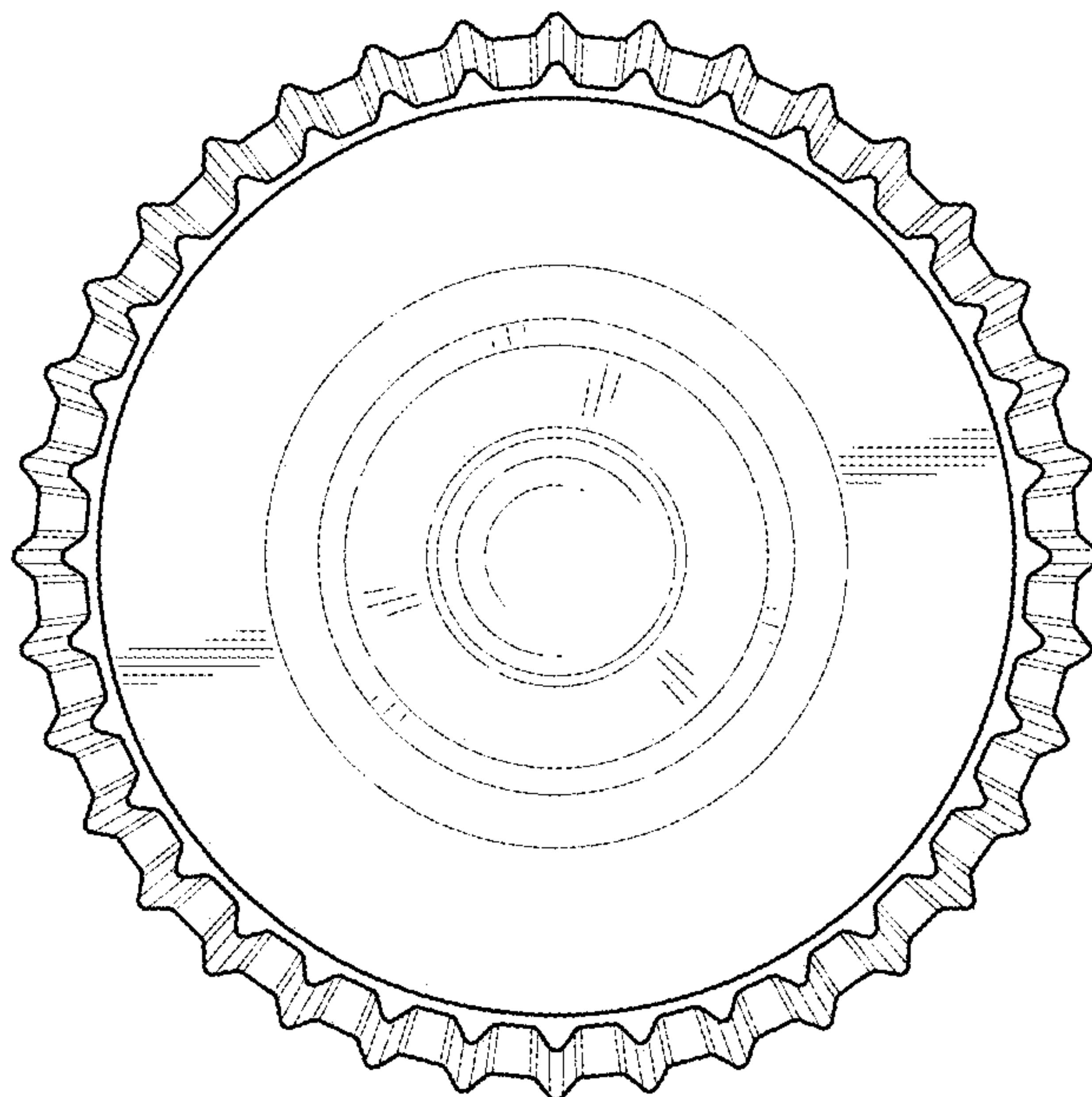


FIG. 7



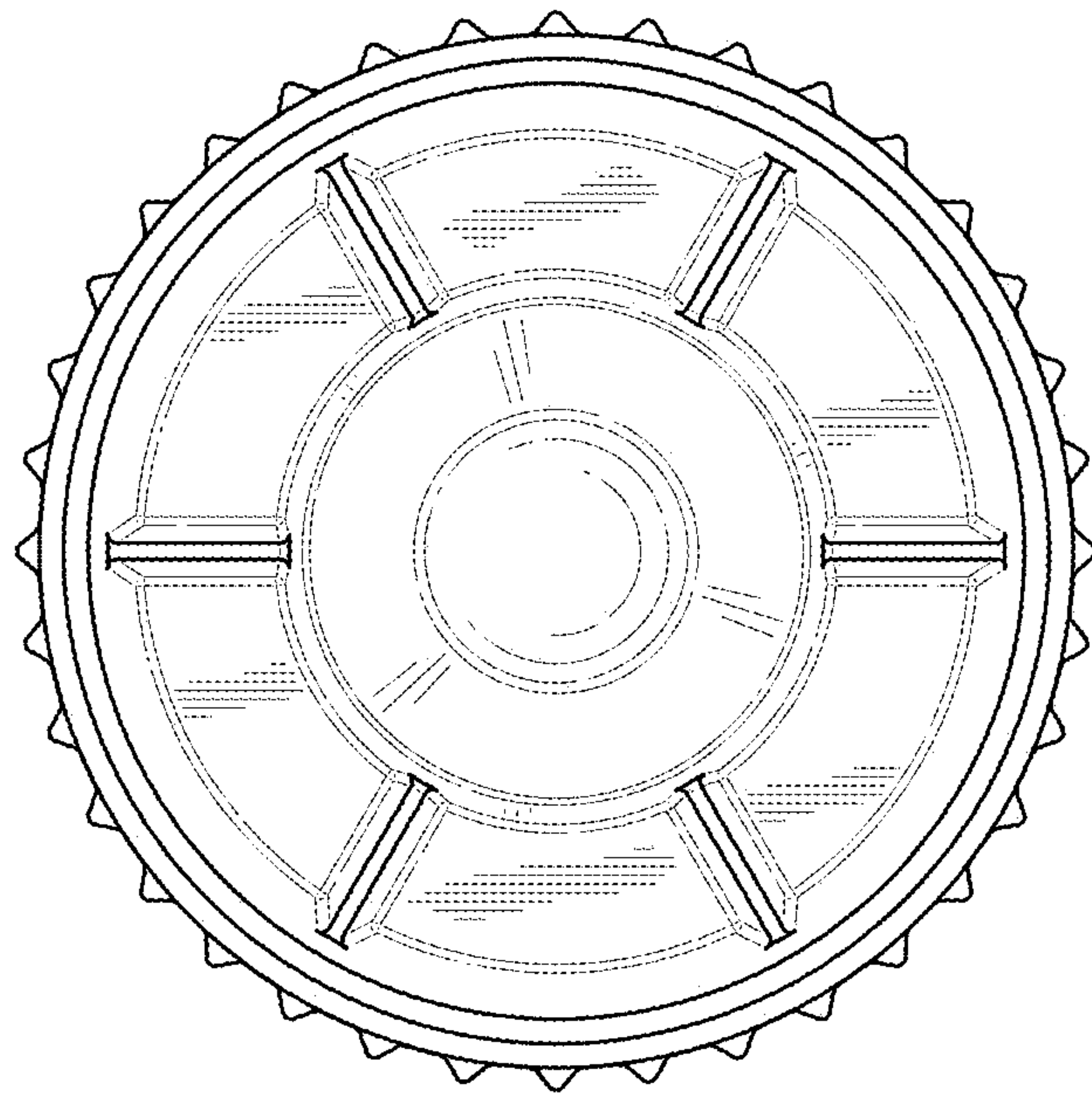


FIG. 8