

US00D931493S

(12) **United States Design Patent** (10) **Patent No.:** **US D931,493 S**
Darbyshire et al. (45) **Date of Patent:** **** Sep. 21, 2021**

(54) **REAGENT CASSETTE**
(71) Applicant: **LEICA BIOSYSTEMS**
MELBOURNE PTY LTD, Mount
Waverley (AU)
(72) Inventors: **Paul Darbyshire**, Bentleigh (AU);
Maxim Stanislaw Pamieta, South
Yarra (AU); **Mark Wilcock**, Parkdale
(AU)

(73) Assignee: **LEICA BIOSYSTEMS**
MELBOURNE PTY LTD, Mount
Waverley (AU)

(**) Term: **15 Years**

(21) Appl. No.: **29/694,971**

(22) Filed: **Jun. 14, 2019**

(30) **Foreign Application Priority Data**

Dec. 14, 2018 (AU) 201817551

(51) **LOC (13) Cl.** **24-02**

(52) **U.S. Cl.**
USPC **D24/224**

(58) **Field of Classification Search**
USPC D24/107, 216, 217, 219, 223-226, 227,
D24/229, 230, 232; D10/81
CPC B01L 9/06; B01L 3/50855; G01N 1/36
See application file for complete search history.

(56) **References Cited**

U.S. PATENT DOCUMENTS

D367,932 S * 3/1996 Lim D24/224
D481,133 S * 10/2003 Blouin D24/216
D482,454 S * 11/2003 Gebrian D24/226
D670,818 S * 11/2012 Galano D24/224
D794,823 S * 8/2017 Nelson D24/233

D811,616 S * 2/2018 Shanafelter D24/227
D837,401 S * 1/2019 Gardner D24/230
D883,513 S * 5/2020 Jenoski D24/227
2009/0008395 A1 * 1/2009 Sattler B01L 3/50855
220/507
2010/0083777 A1 * 4/2010 Walter G01N 35/00732
73/864.91
2013/0272931 A1 * 10/2013 Chien B01L 3/5085
422/547
2019/0086303 A1 * 3/2019 Guo B01L 9/52

OTHER PUBLICATIONS

Exclusive Dispensing Cassettes. Online, published date unknown.
Retrieved on Jul. 31, 2020 from URL: <https://steinle-labtec.com/index.php/multidrop-thermo-scientific/>.*

* cited by examiner

Primary Examiner — Susan Bennett Hattan

Assistant Examiner — Omeed Agilee

(74) *Attorney, Agent, or Firm* — Sughrue Mion, PLLC

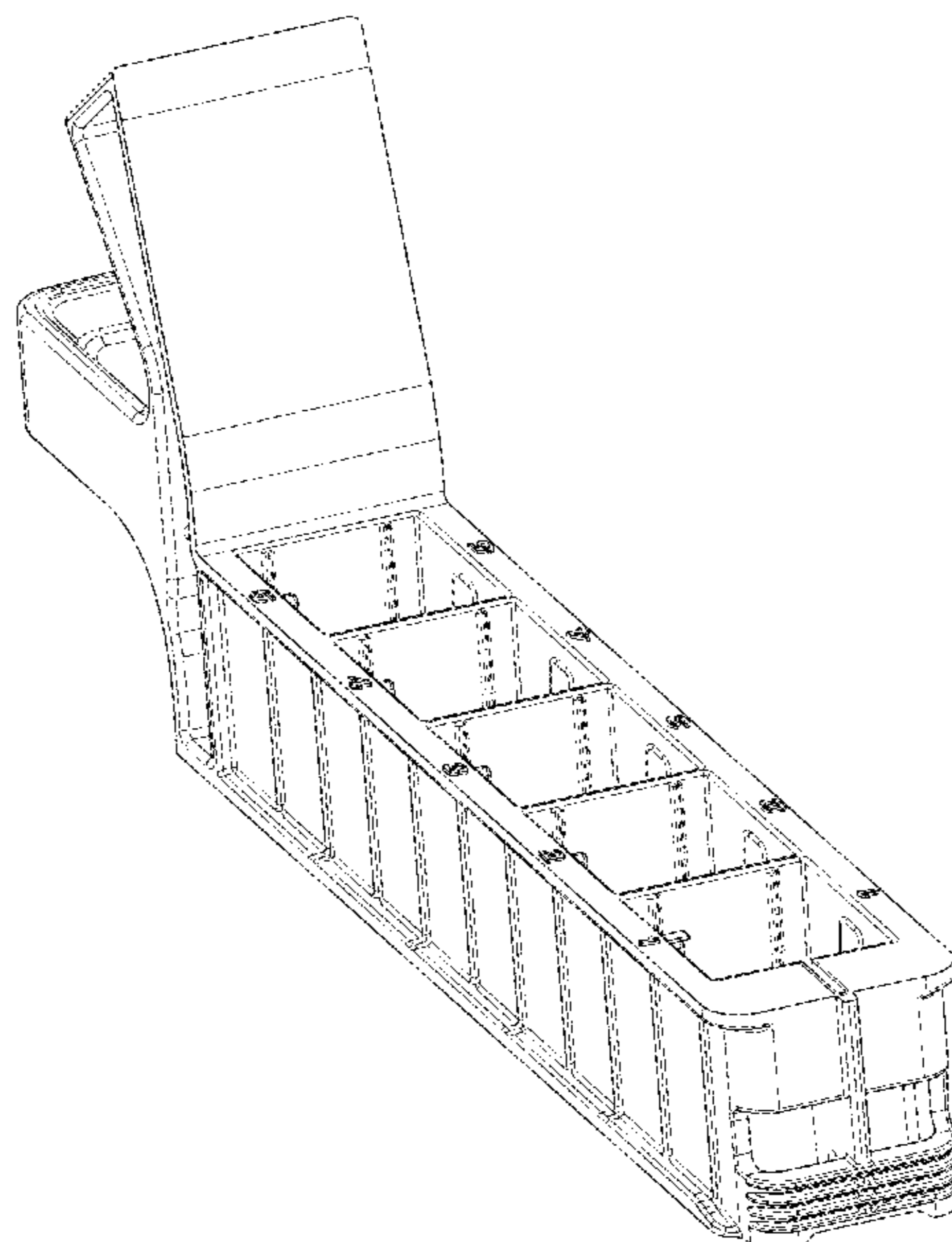
(57) **CLAIM**

The ornamental design for a reagent cassette, as shown and described.

DESCRIPTION

FIG. 1 is a perspective view of the front and left side of a reagent cassette showing our new design;
FIG. 2 is a perspective view of the rear and left side thereof;
FIG. 3 is a right side elevational view thereof;
FIG. 4 is a left side elevational view thereof;
FIG. 5 is a bottom plan view thereof;
FIG. 6 is a top plan view thereof;
FIG. 7 is a rear elevational view thereof; and,
FIG. 8 is a front elevational view thereof.
The broken lines in the Figures depict portions of the reagent cassette that form no part of the claimed design.

1 Claim, 8 Drawing Sheets



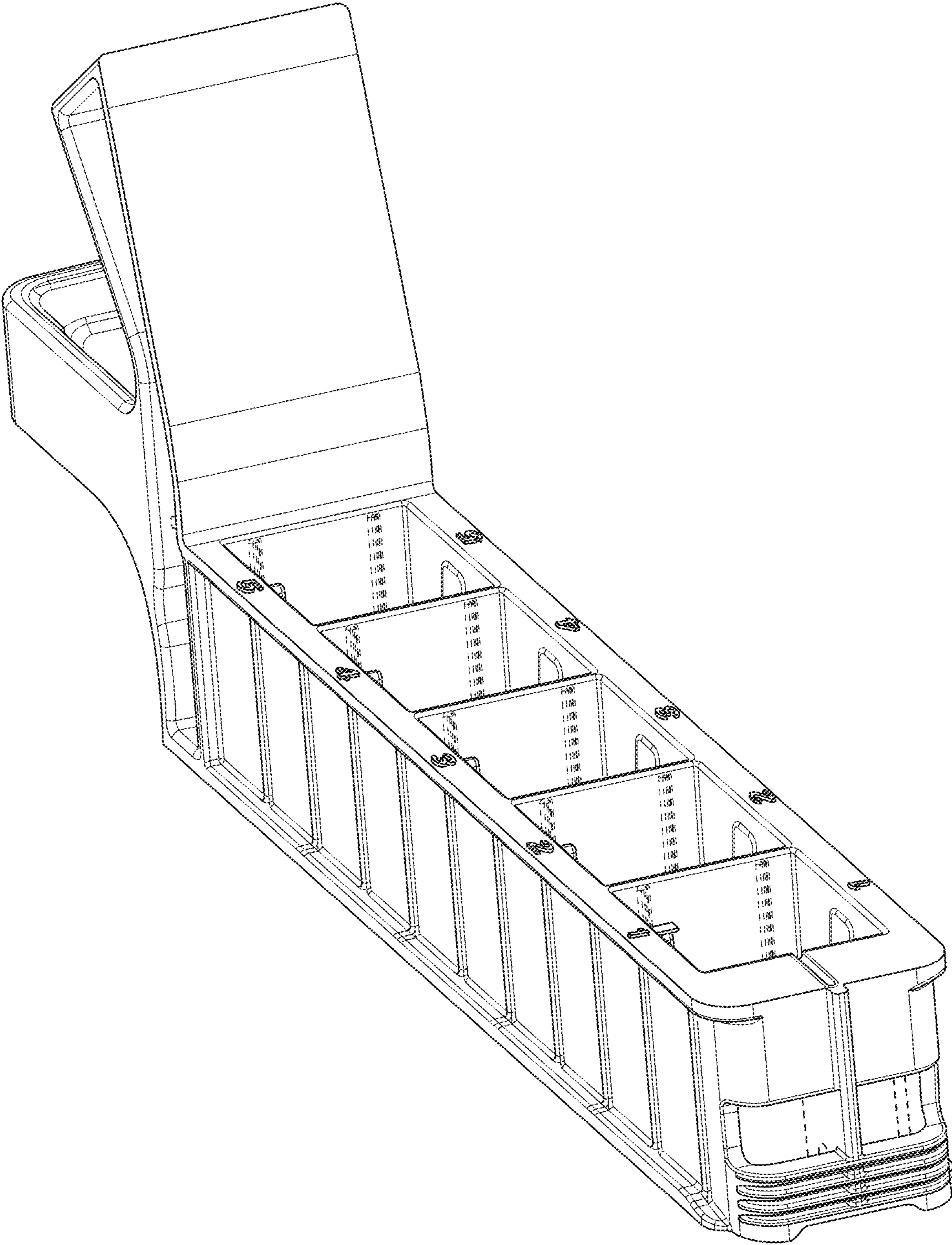


FIG. 1

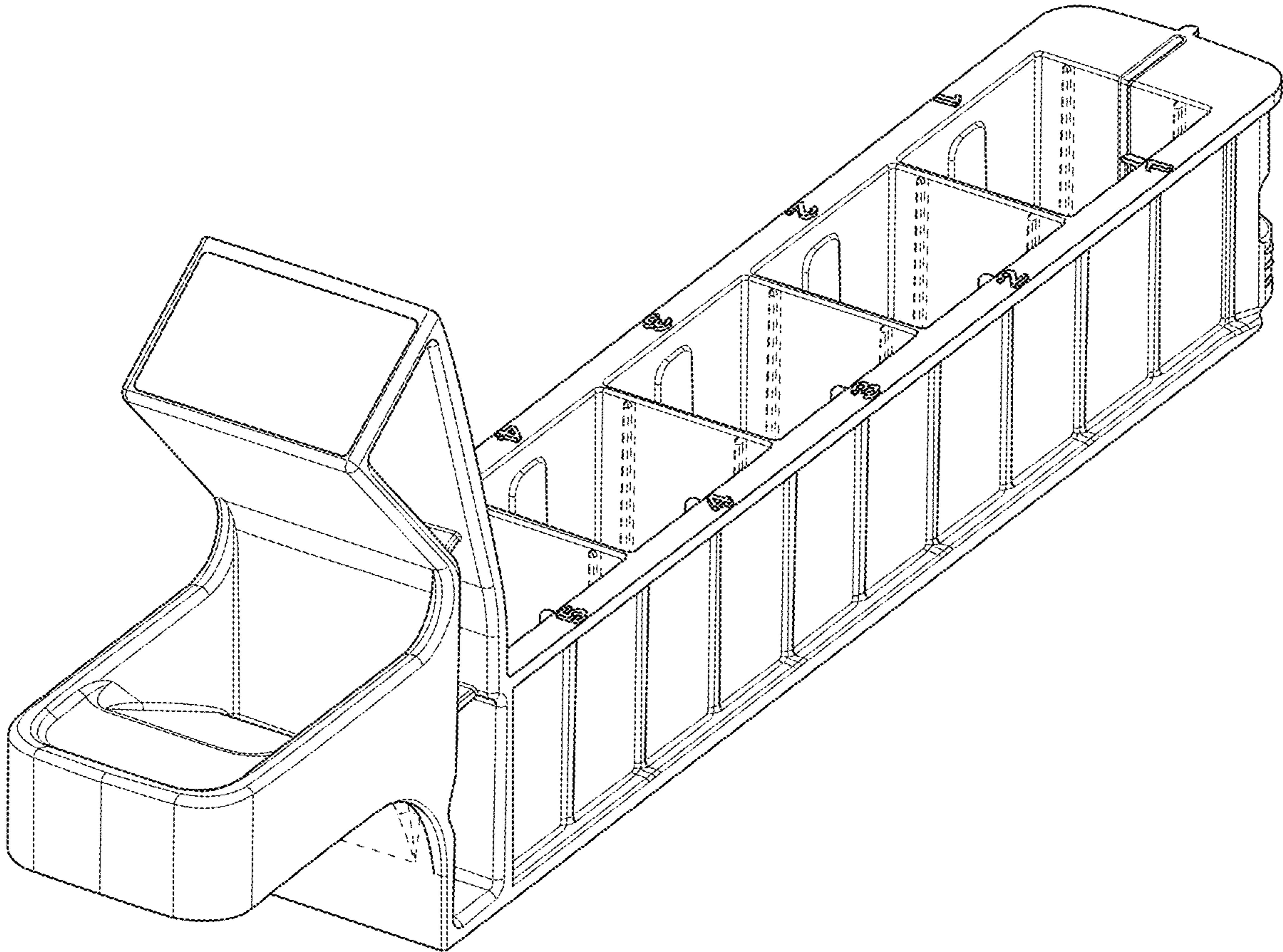


FIG. 2

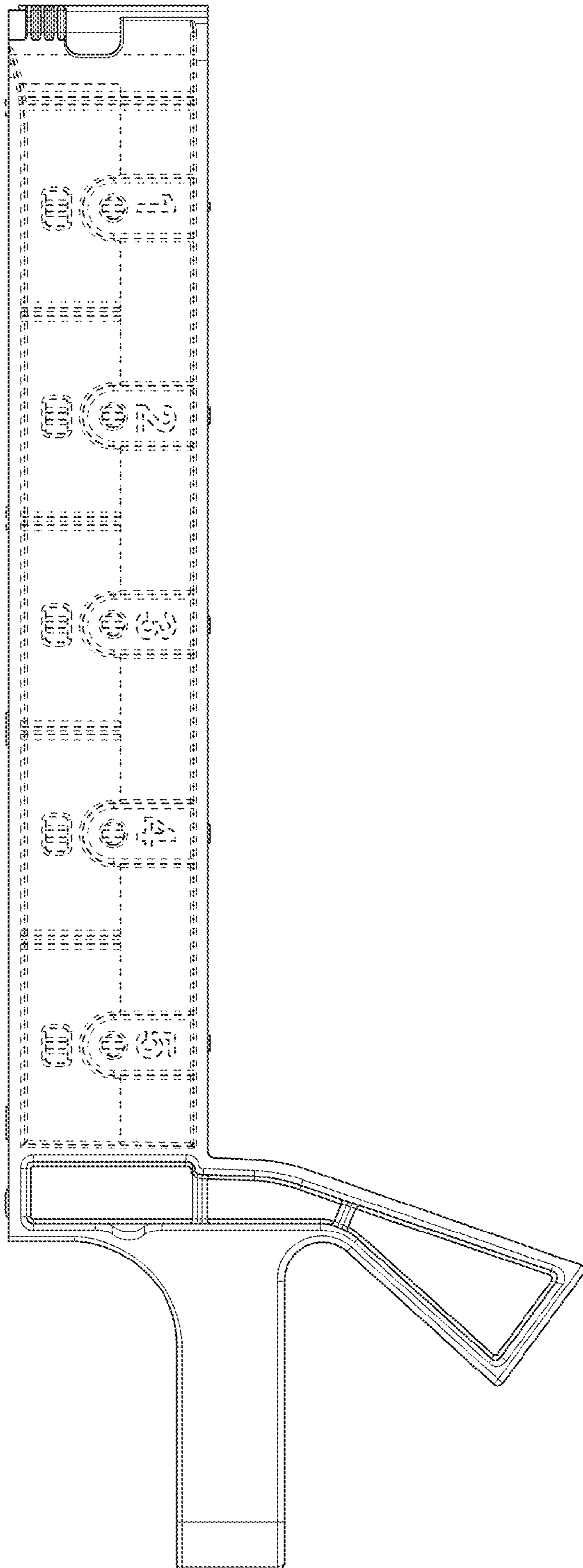


FIG. 3

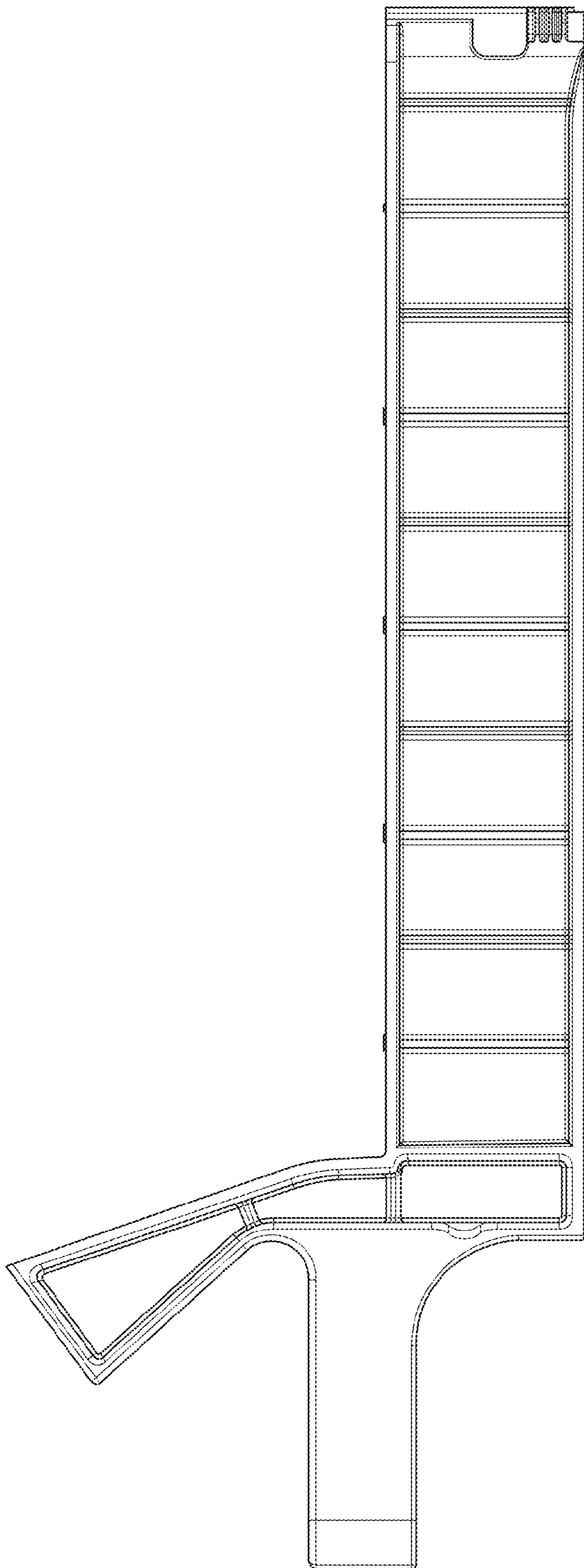


FIG. 4

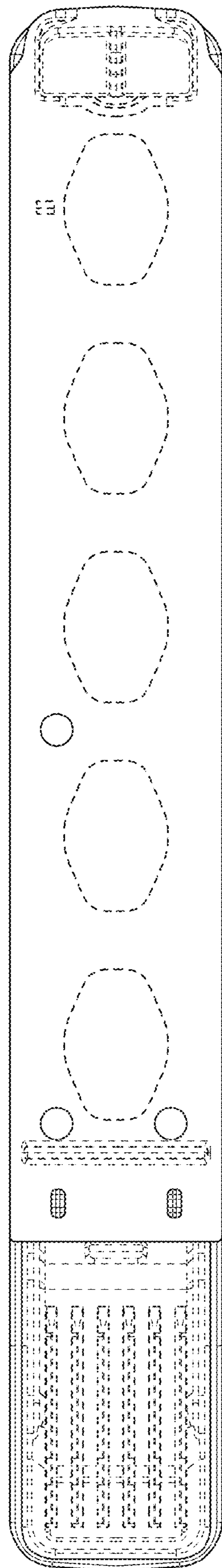


FIG. 5

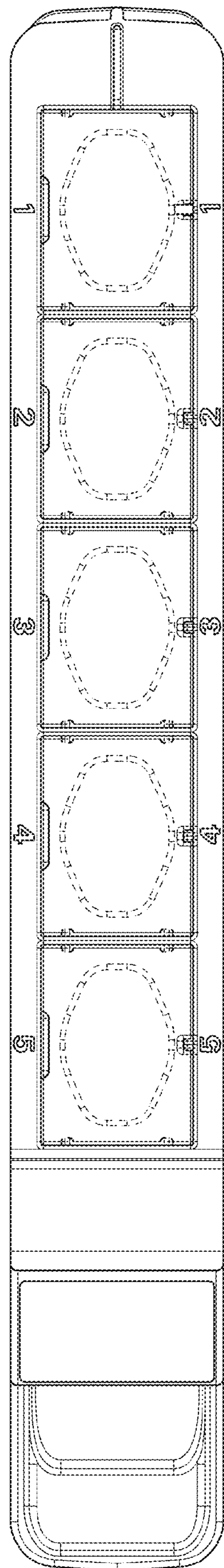


FIG. 6

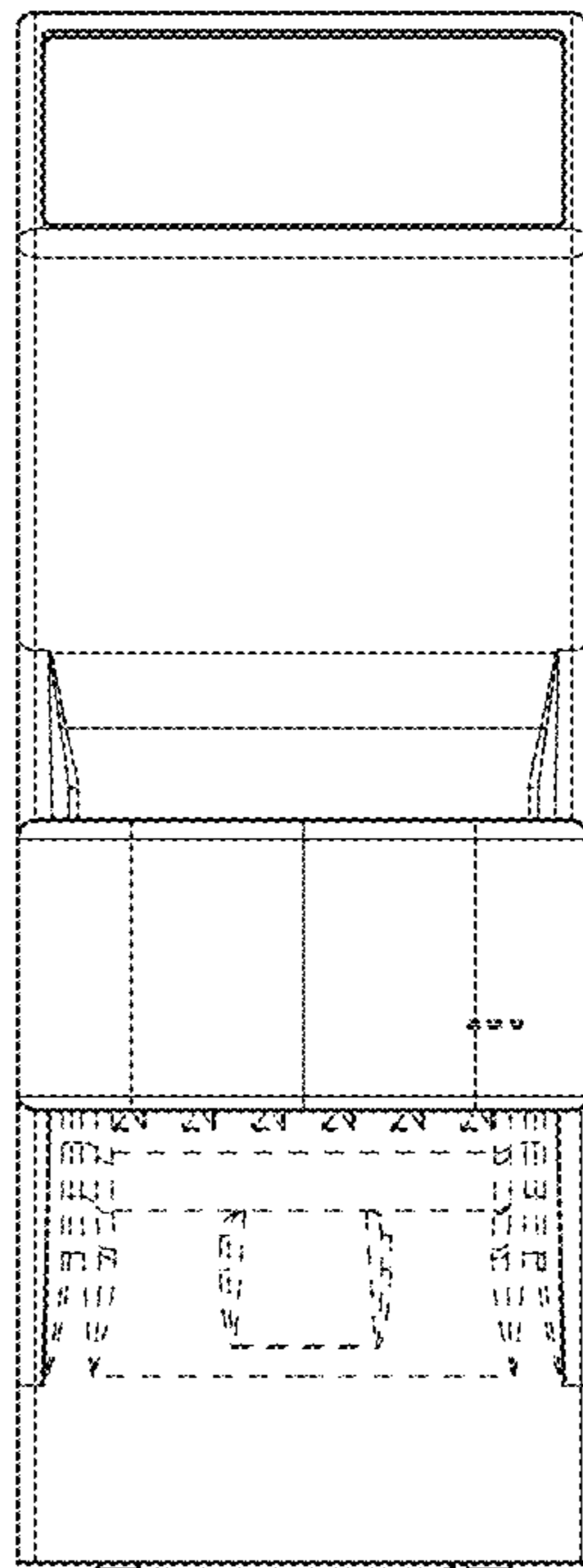


FIG. 7

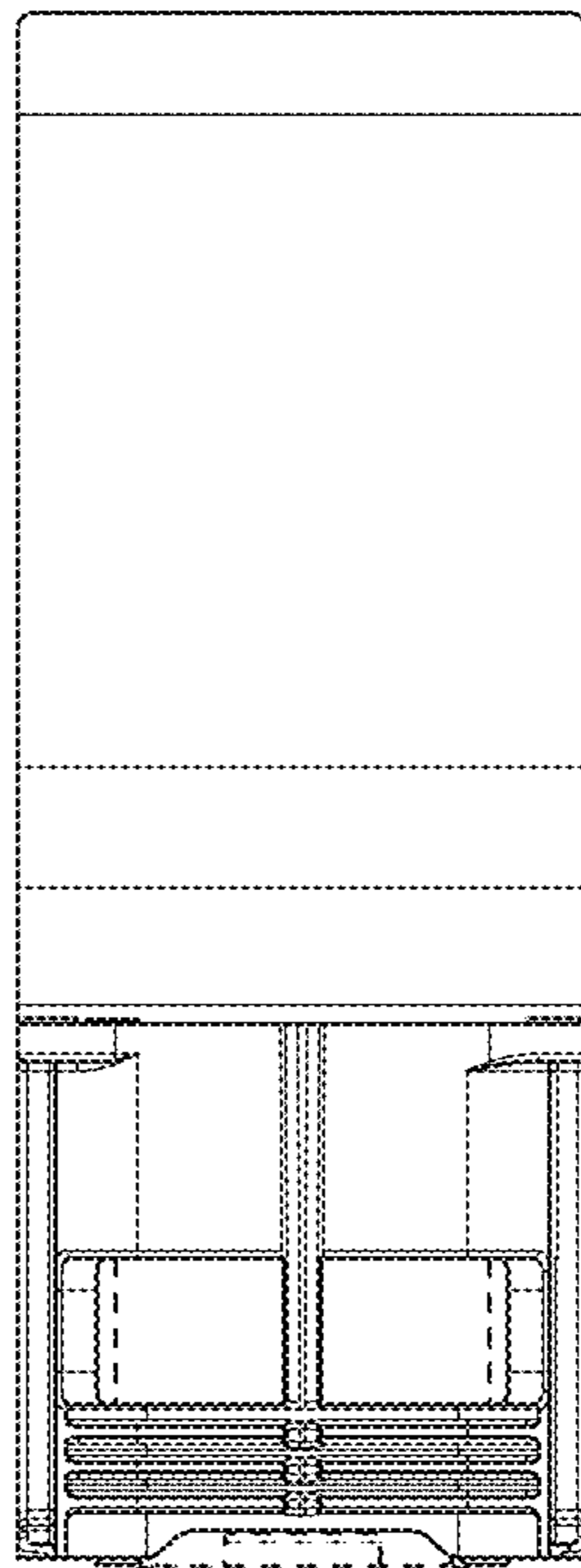


FIG. 8