



US00D931492S

(12) **United States Design Patent** (10) **Patent No.:** **US D931,492 S**
Li (45) **Date of Patent:** **** Sep. 21, 2021**

(54) **MASSAGER HEAD**
(71) Applicant: **Gangxuan Li**, Yongkang (CN)
(72) Inventor: **Gangxuan Li**, Yongkang (CN)
(**) Term: **15 Years**

(21) Appl. No.: **29/727,503**
(22) Filed: **Mar. 11, 2020**

(30) **Foreign Application Priority Data**

Oct. 24, 2019 (CN) 201930581251.7

(51) **LOC (13) Cl.** **28-03**
(52) **U.S. Cl.**
USPC **D24/215**
(58) **Field of Classification Search**
USPC D24/200, 209, 211, 212, 213, 214, 215;
D7/393; D8/307, 310, 378; D9/435, 439
CPC . A61H 2201/0119; A61H 7/002; A61H 7/007
See application file for complete search history.

(56) **References Cited**

U.S. PATENT DOCUMENTS

D186,053 S * 9/1959 Clayton D8/310
D197,889 S * 4/1964 Hass D24/194
3,716,163 A * 2/1973 Marcel B65D 39/0017
215/320
D285,116 S * 8/1986 Hoff D24/214
D334,332 S * 3/1993 Massey D8/107
D357,322 S * 4/1995 Matthews D24/200
D362,307 S * 9/1995 Cirone D24/211
D403,584 S * 1/1999 Bakic D9/454
D444,882 S * 7/2001 Chen D24/211
D444,883 S * 7/2001 Chen D24/211
D449,695 S * 10/2001 Ponton D24/200
D489,979 S * 5/2004 Bourg D9/439
D495,599 S * 9/2004 Biesecker D7/391
D575,639 S * 8/2008 Seeuwen D9/439
D580,756 S * 11/2008 Seebold D9/439

D592,036 S * 5/2009 Dornin D8/307
D592,484 S * 5/2009 Ricereto D8/307
D600,177 S * 9/2009 Komiyama D12/179
D627,898 S * 11/2010 Aulwes D24/214
D628,304 S * 11/2010 Aulwes D24/214
D639,657 S * 6/2011 Hoyt D9/439
D715,955 S * 10/2014 Hsu A61H 19/00
D24/215
D716,465 S * 10/2014 Kanbar A61H 19/40
D24/215
D729,063 S * 5/2015 Koop D9/439
D735,853 S * 8/2015 Pa D24/129
D771,468 S * 11/2016 Gallagher D8/307
D791,958 S * 7/2017 Ho D24/200

(Continued)

OTHER PUBLICATIONS

Amazon, "RENPHO Eye Massager", May 27, 2020. <https://www.amazon.com/RENPHO-Eye-Massager-Mini-Massage/dp/B0897RMFW9#customerReviews>. Shown on p. 1. (Year: 2020).*

(Continued)

Primary Examiner — Cynthia Ramirez
Assistant Examiner — Michael A Maharajh

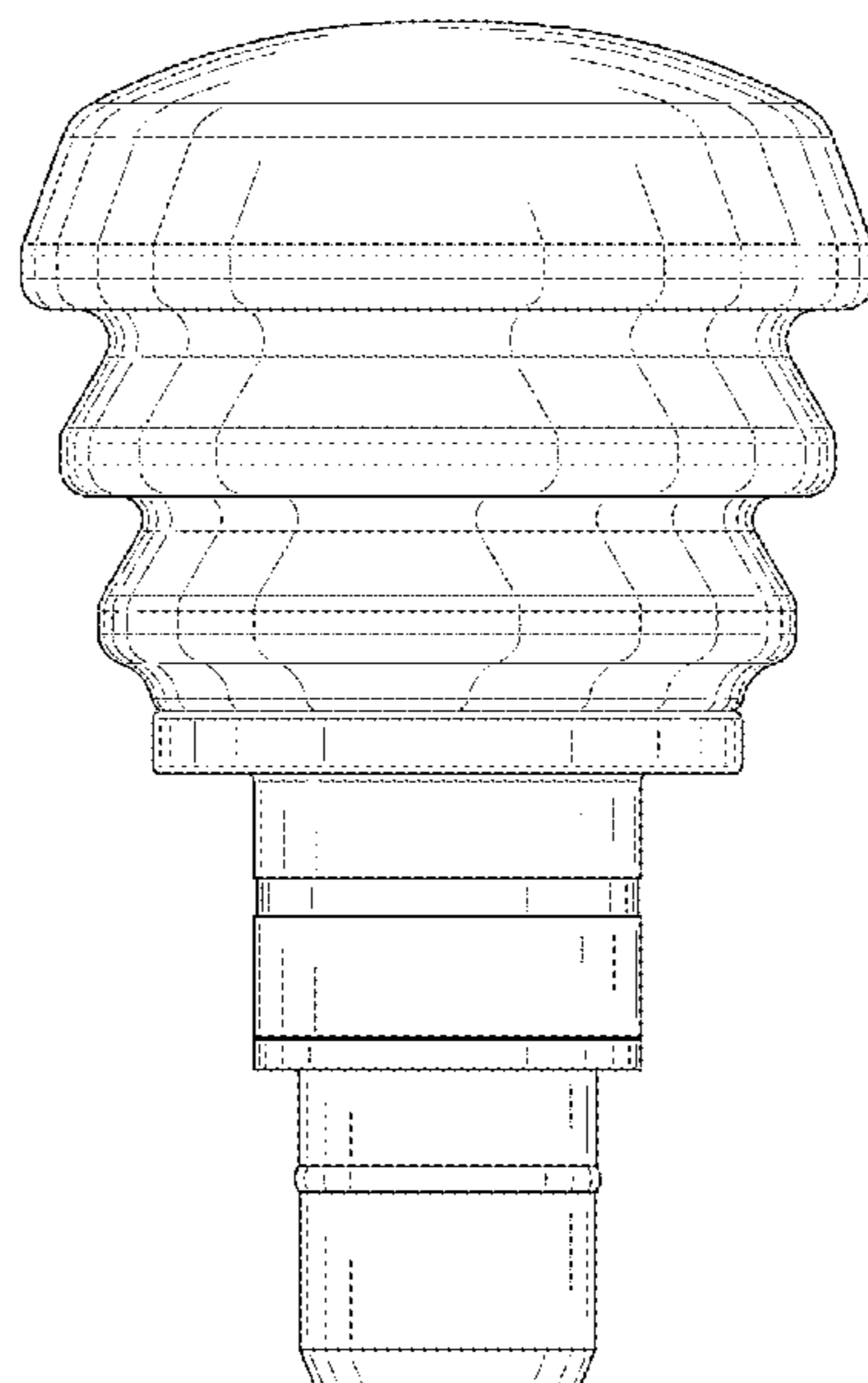
(57) **CLAIM**

The ornamental design for a massager head, as shown and described.

DESCRIPTION

FIG. 1 is a front elevational view of a massager head showing my new design;
FIG. 2 is a rear elevational view thereof;
FIG. 3 is a left side view thereof;
FIG. 4 is a right side view thereof;
FIG. 5 is a top plan view thereof;
FIG. 6 is a bottom plan view thereof; and,
FIG. 7 is a perspective view thereof.

1 Claim, 6 Drawing Sheets



(56)

References Cited

U.S. PATENT DOCUMENTS

D818,600 S * 5/2018 Black D24/214
 D820,992 S * 6/2018 King D24/200
 D823,478 S * 7/2018 Park D24/215
 D825,067 S * 8/2018 Ho D24/200
 D833,029 S * 11/2018 Guenst D24/215
 D837,395 S * 1/2019 Gan D24/214
 D845,500 S * 4/2019 Wersland D24/211
 D849,260 S * 5/2019 Wersland D24/211
 D849,261 S * 5/2019 Wersland D24/211
 D850,639 S * 6/2019 Wersland D24/211
 D850,640 S * 6/2019 Wersland D24/211
 D859,680 S * 9/2019 Wersland D24/211
 D861,182 S * 9/2019 Wersland D24/211
 D861,260 S * 9/2019 Cunniff D30/199
 D865,987 S * 11/2019 Jacobs D24/214
 D872,295 S * 1/2020 Friedman D24/215
 D890,353 S * 7/2020 Nazarian D24/200
 D890,942 S * 7/2020 Wersland D24/211
 D890,943 S * 7/2020 Wersland D24/211
 D896,393 S * 9/2020 Wersland D24/211
 10,758,452 B2 * 9/2020 Wersland A61H 1/00
 D899,926 S * 10/2020 Guduru D9/439

D904,636 S * 12/2020 Delassus D24/214
 D907,792 S * 1/2021 Marton D24/215
 D908,235 S * 1/2021 Marton D24/215
 D910,870 S * 2/2021 Marton D24/215
 D914,229 S * 3/2021 Takeuchi D24/215
 D914,477 S * 3/2021 Watson D8/310
 10,940,081 B2 * 3/2021 Nazarian A61H 1/00
 D917,714 S * 4/2021 Chen D24/215
 D918,404 S * 5/2021 Wersland D24/211
 D918,405 S * 5/2021 Wersland D24/211
 2004/0260213 A1 * 12/2004 Szczepanski A61H 15/0085
 601/46
 2019/0015294 A1 * 1/2019 Nazarian A61H 15/0085
 2019/0017528 A1 * 1/2019 Wersland A61H 23/00
 2019/0350793 A1 * 11/2019 Wersland A61H 23/006
 2020/0352821 A1 * 11/2020 Wersland A61H 23/006
 2021/0085555 A1 * 3/2021 Davis A61H 1/00

OTHER PUBLICATIONS

“Manadesma Rifle Massage Head”, APD Oct. 24, 2019. www.orbit.com. Chinese Design Registration No. 305762131. Shown on p. 1. (Year: 2019).*

* cited by examiner

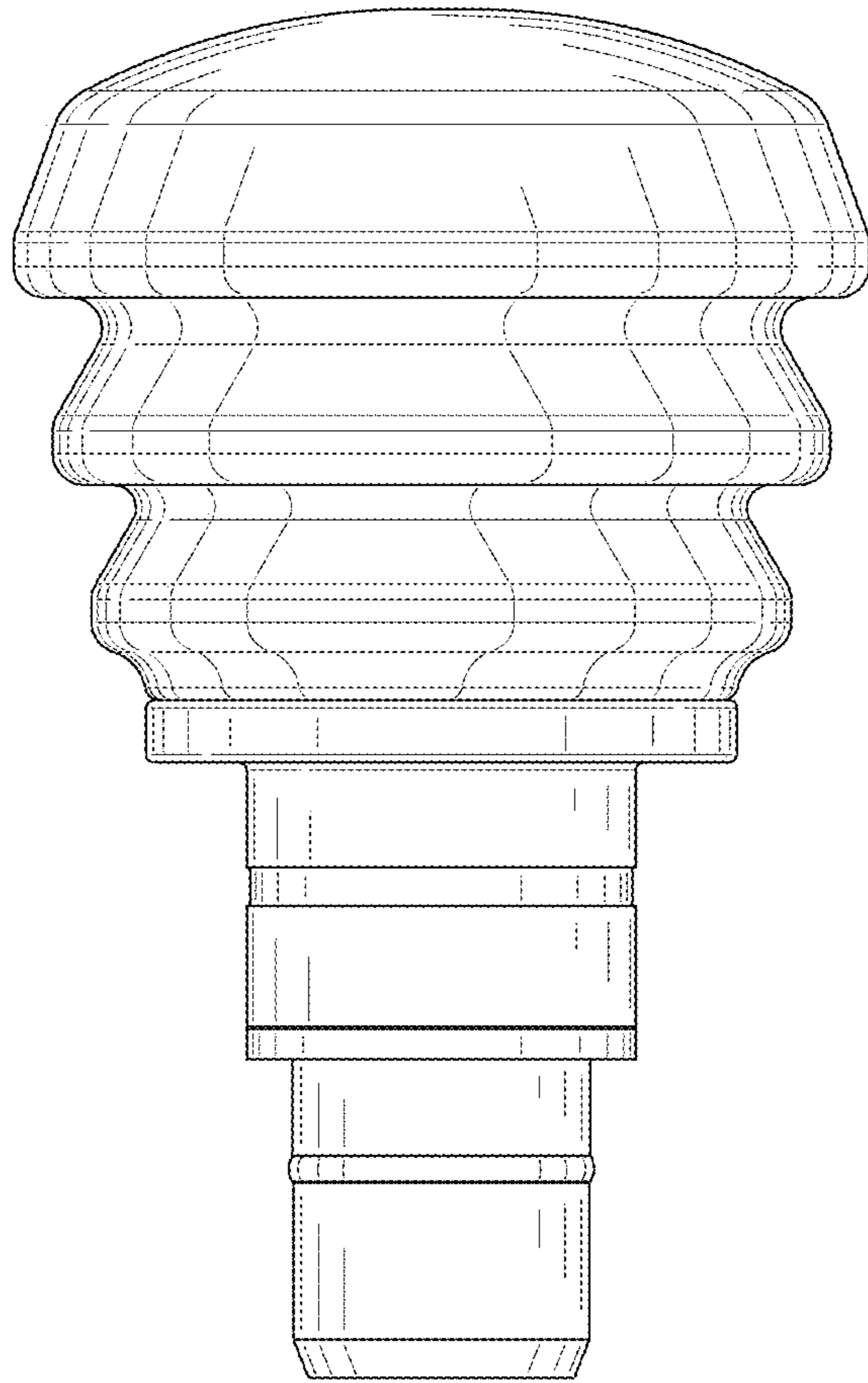


FIG. 1

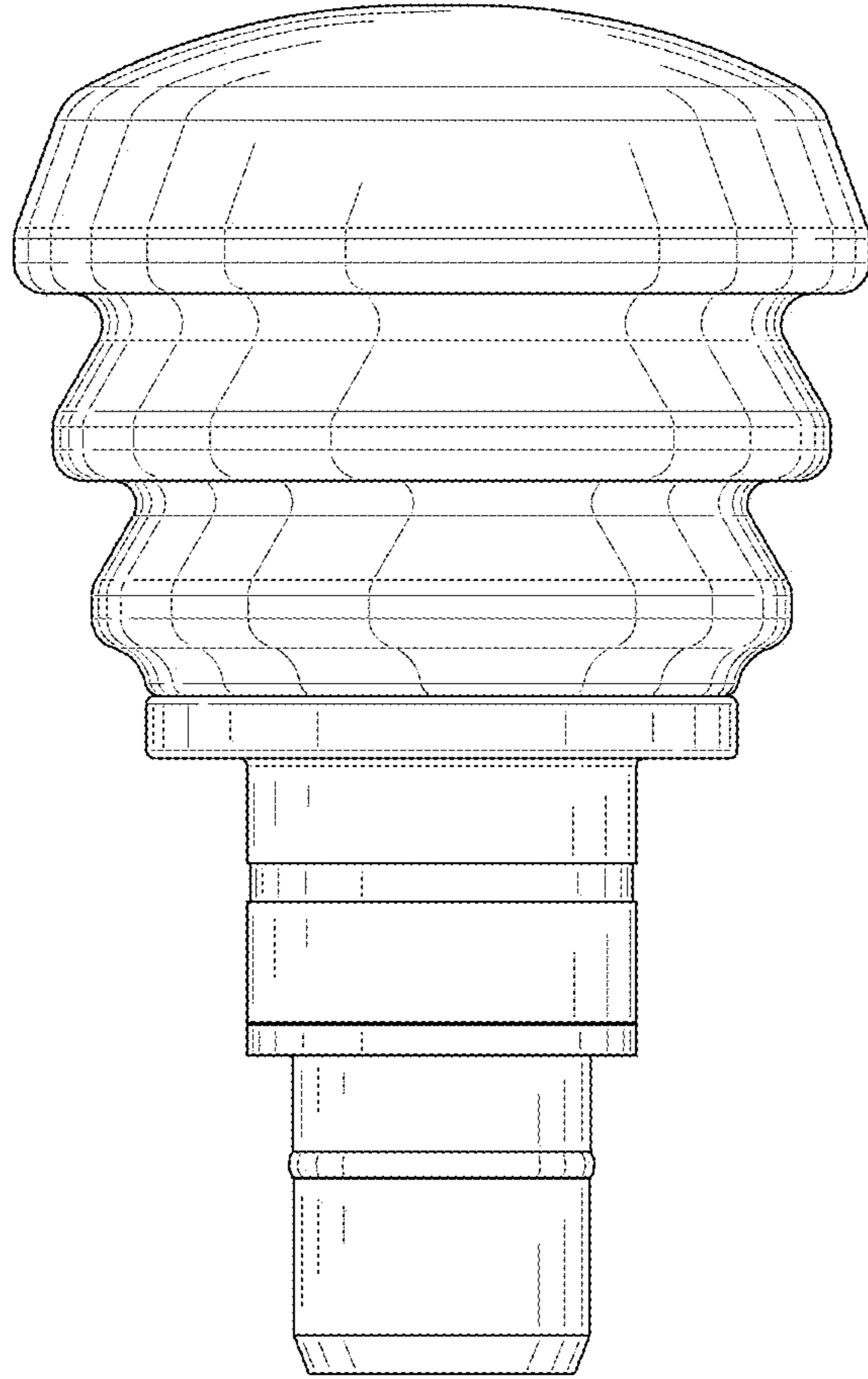


FIG. 2

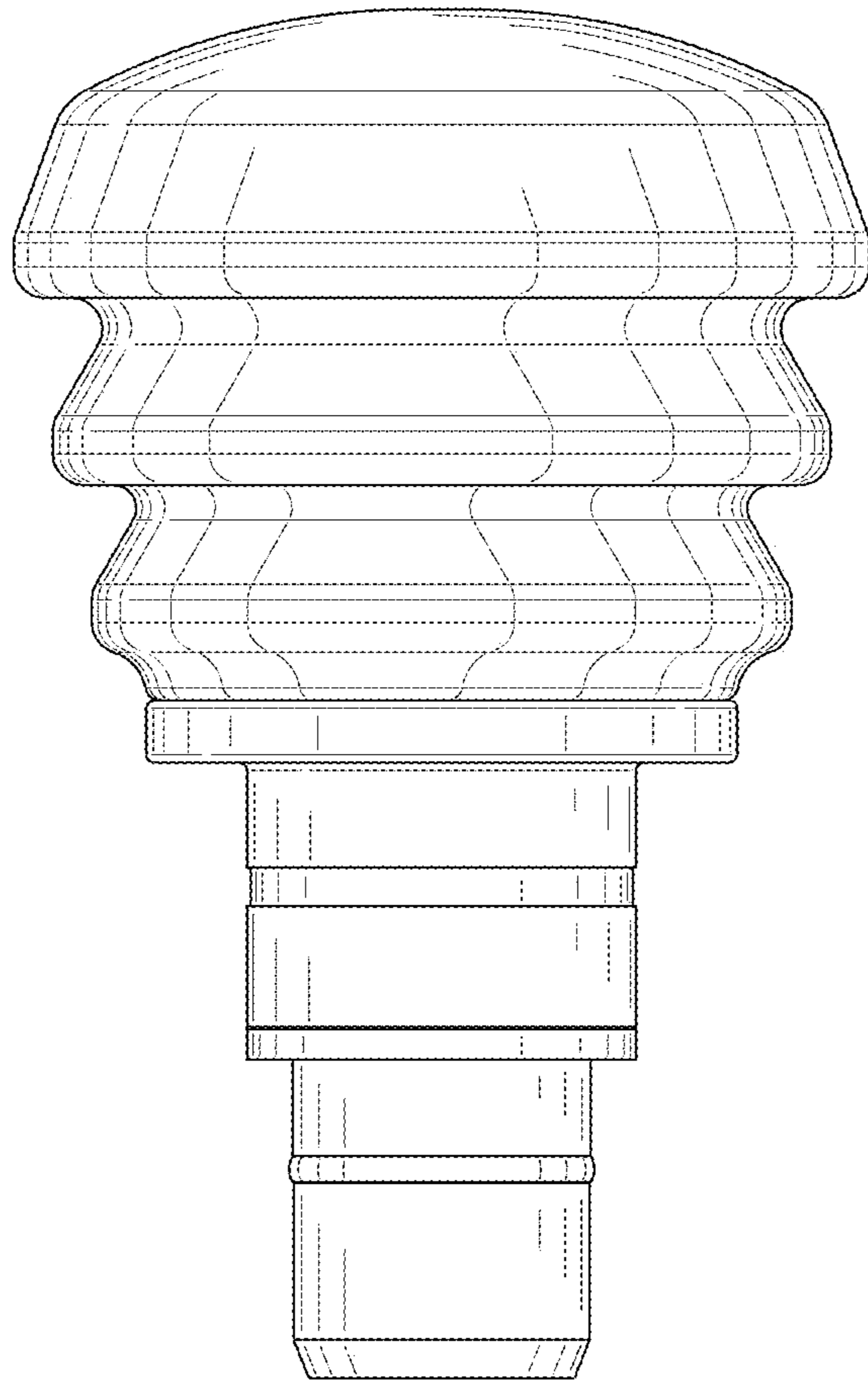


FIG. 3

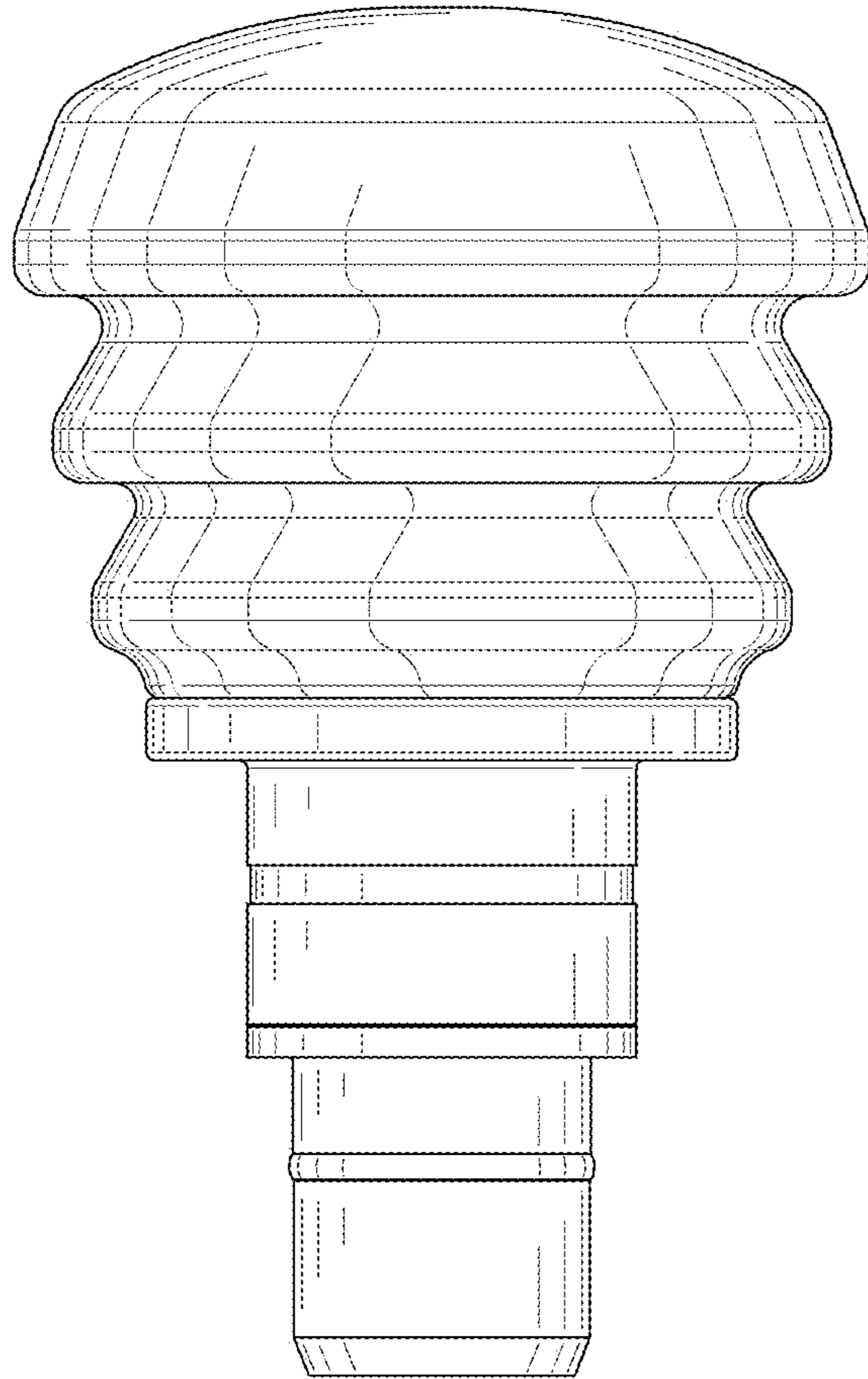


FIG. 4

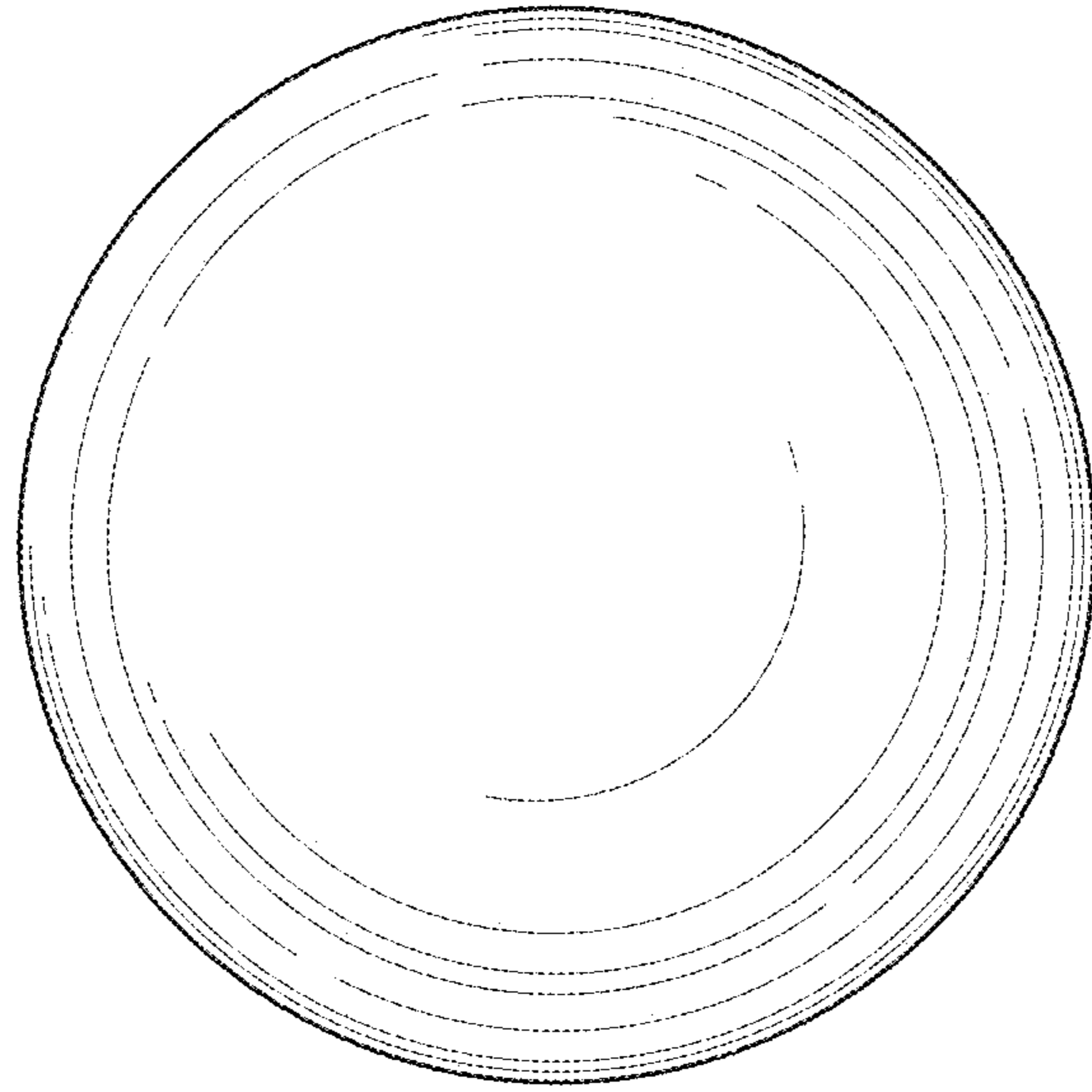


FIG. 5

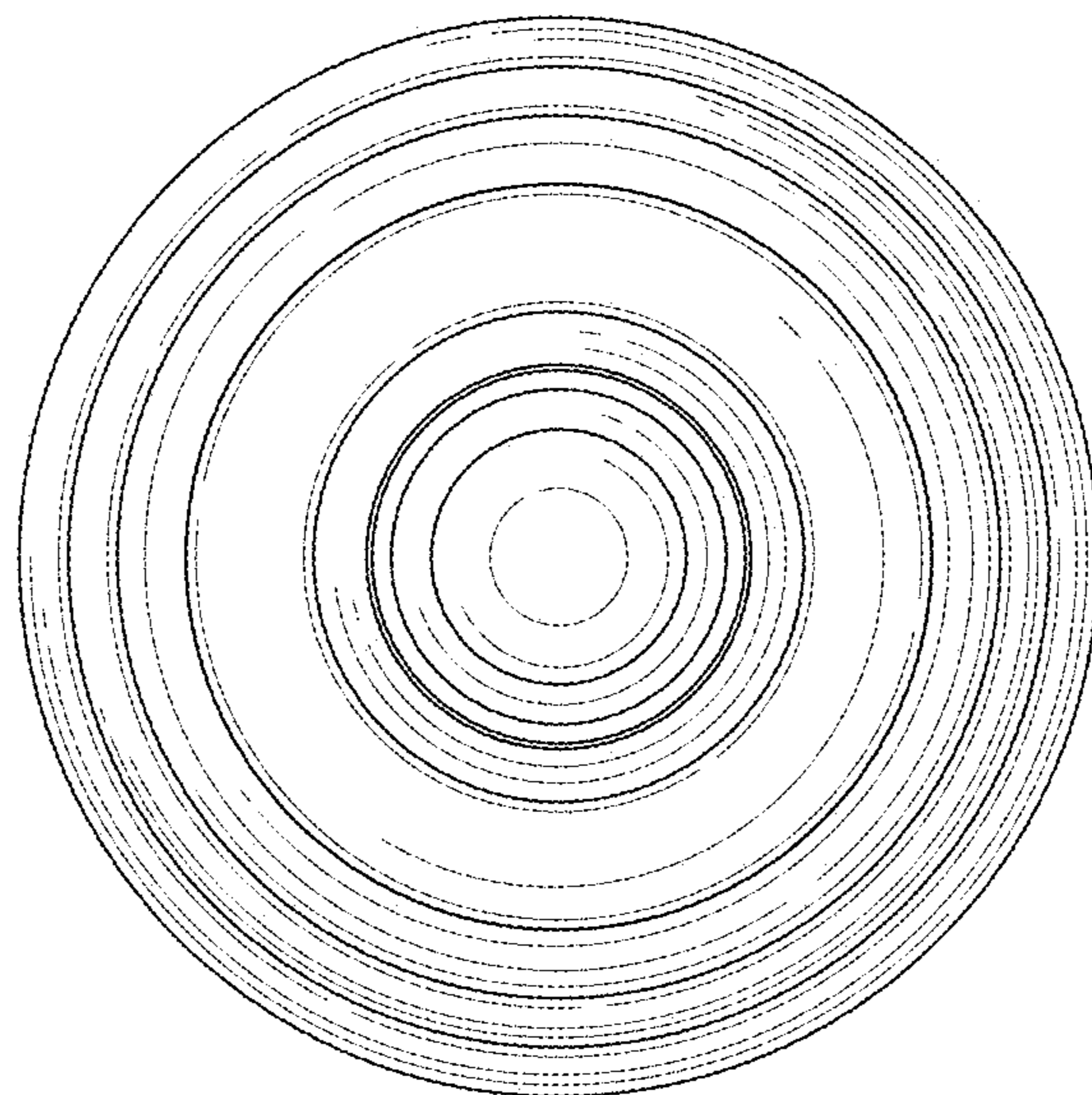


FIG. 6

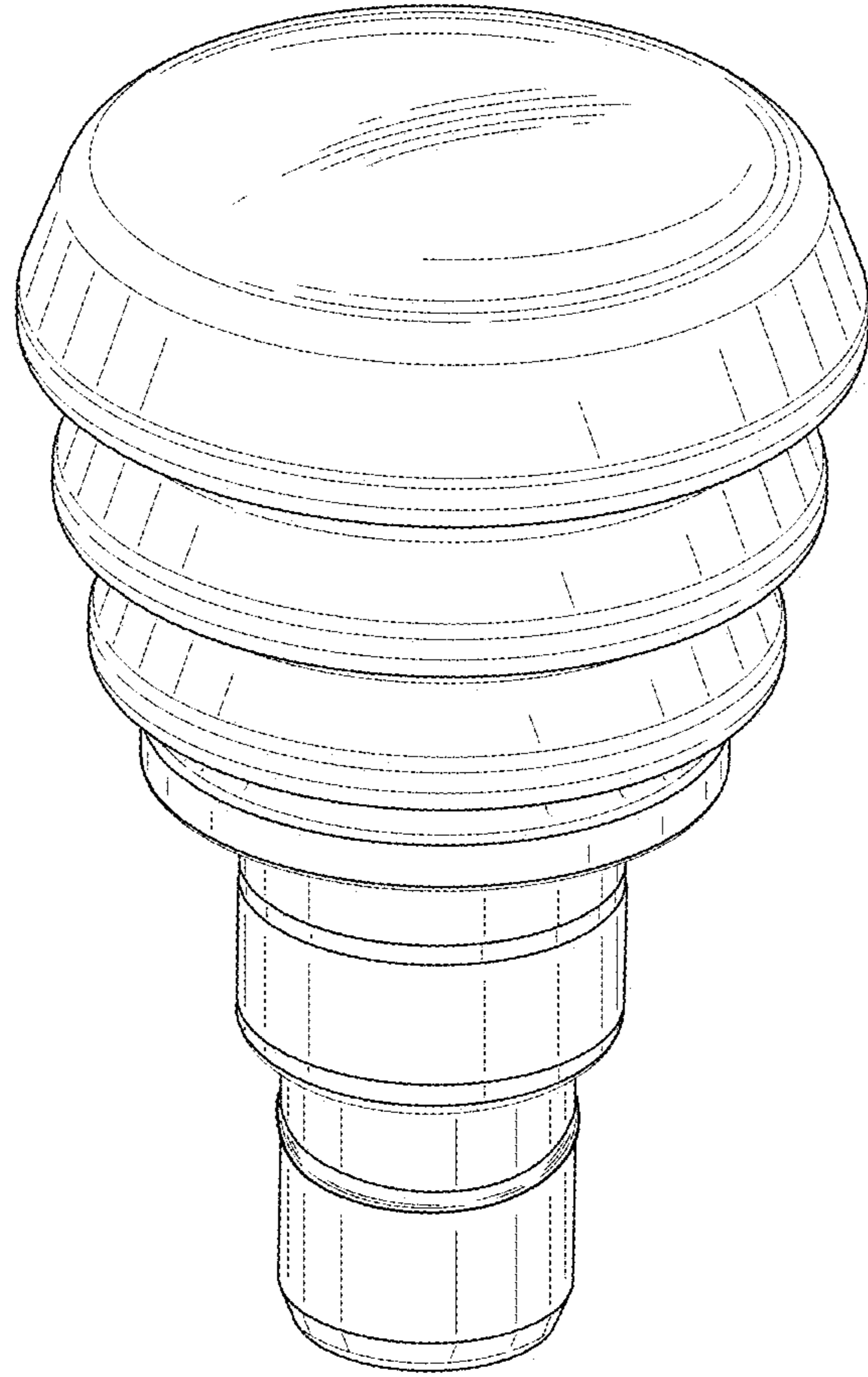


FIG. 7