



US00D931487S

(12) **United States Design Patent**  
**Li**

(10) **Patent No.:** **US D931,487 S**

(45) **Date of Patent:** **\*\* Sep. 21, 2021**

(54) **FASCIA GUN**

(71) Applicant: **Gangxuan Li**, Yongkang (CN)

(72) Inventor: **Gangxuan Li**, Yongkang (CN)

(\*\*) Term: **15 Years**

(21) Appl. No.: **29/702,687**

(22) Filed: **Aug. 21, 2019**

(30) **Foreign Application Priority Data**

Jul. 19, 2019 (CN) ..... 201930380104.3

(51) **LOC (13) Cl.** ..... **28-03**

(52) **U.S. Cl.**  
USPC ..... **D24/215**

(58) **Field of Classification Search**  
USPC ..... D24/200, 211, 212, 213, 214, 215;  
D8/14.1  
CPC ..... A61H 2015/0014; A61H 15/00; A61H  
2015/0042  
See application file for complete search history.

(56) **References Cited**

**U.S. PATENT DOCUMENTS**

D616,558 S *	5/2010	Tsai	.....	D24/200
10,314,762 B1 *	6/2019	Marton	.....	A61H 23/006
D855,822 S *	8/2019	Marton	.....	D24/215
D872,869 S *	1/2020	Lu	.....	D24/215
D873,432 S *	1/2020	Duan	.....	D24/214
D874,015 S *	1/2020	Marton	.....	D24/215
D875,961 S *	2/2020	Li	.....	D24/211
D877,351 S *	3/2020	Wersland	.....	D24/215
D879,985 S *	3/2020	Wersland	.....	D24/214
D879,986 S *	3/2020	Wersland	.....	D24/214
D880,714 S *	4/2020	Wersland	.....	D24/215
D880,715 S *	4/2020	Wersland	.....	D24/215
D880,716 S *	4/2020	Wersland	.....	D24/215
D884,205 S *	5/2020	Zhuang	.....	D24/215

D884,207 S *	5/2020	Ma	.....	D24/215
D884,915 S *	5/2020	Wersland	.....	D24/215
D885,601 S *	5/2020	Wersland	.....	D24/215
D886,317 S *	6/2020	Marton	.....	D24/215
D887,573 S *	6/2020	Wersland	.....	D24/215
D893,738 S *	8/2020	Zhuang	.....	D24/215
D895,133 S *	9/2020	Xu	.....	D24/215
D895,135 S *	9/2020	Xu	.....	D24/215
D895,831 S *	9/2020	Chen	.....	D24/215
D896,396 S *	9/2020	Wersland	.....	D24/215
D898,209 S *	10/2020	Xu	.....	D24/214
D898,933 S *	10/2020	Xu	.....	D24/215
D899,620 S *	10/2020	Huang	.....	D24/215
D905,863 S *	12/2020	Lin	.....	D24/215
D906,533 S *	12/2020	Xu	.....	D24/215
D907,229 S *	1/2021	Zhang	.....	D24/215
D907,230 S *	1/2021	Zhang	.....	D24/215
D908,908 S *	1/2021	Xu	.....	D24/215
D910,194 S *	2/2021	Radtke	.....	D24/215
D911,535 S *	2/2021	Yu	.....	D24/200

(Continued)

*Primary Examiner* — Cynthia Ramirez  
*Assistant Examiner* — Michael A Maharajh

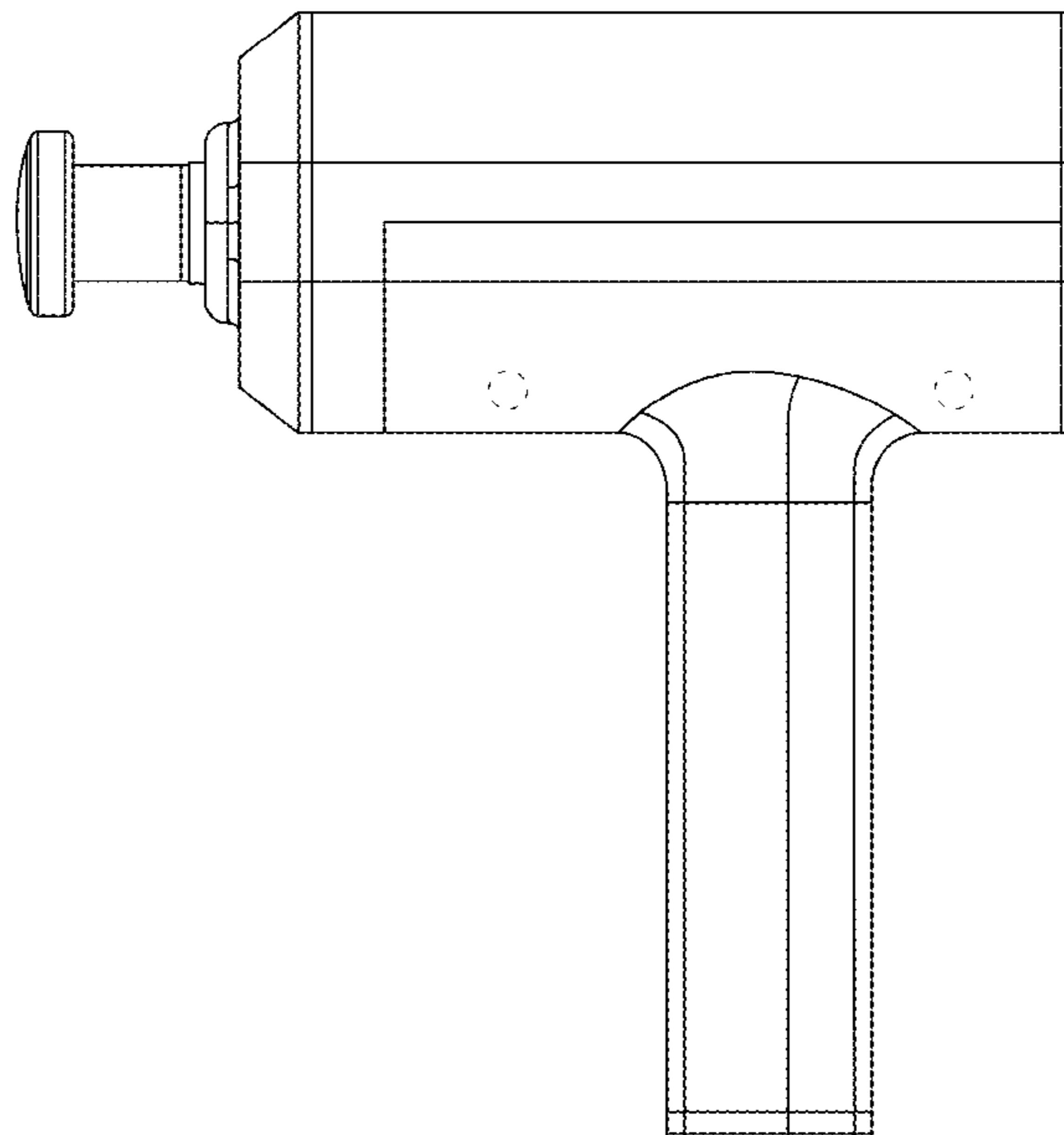
(57) **CLAIM**

The ornamental design for a fascia gun, as shown and described.

**DESCRIPTION**

FIG. 1 is a front elevational view of a fascia gun showing my new design;  
FIG. 2 is a rear elevational view thereof;  
FIG. 3 is a left side view thereof;  
FIG. 4 is a right side view thereof;  
FIG. 5 is a top plan view thereof;  
FIG. 6 is a bottom plan view thereof; and,  
FIG. 7 is a perspective view thereof.  
The broken lines shown in the figures are for the purpose of illustrating portions of the Fascia Gun, which form no part of the claimed design.

**1 Claim, 7 Drawing Sheets**



(56)

**References Cited**

U.S. PATENT DOCUMENTS

D912,267 S \* 3/2021 Tang ..... D24/215  
D912,268 S \* 3/2021 Xiang ..... D24/215  
2018/0200141 A1\* 7/2018 Wersland ..... A61H 23/006

\* cited by examiner

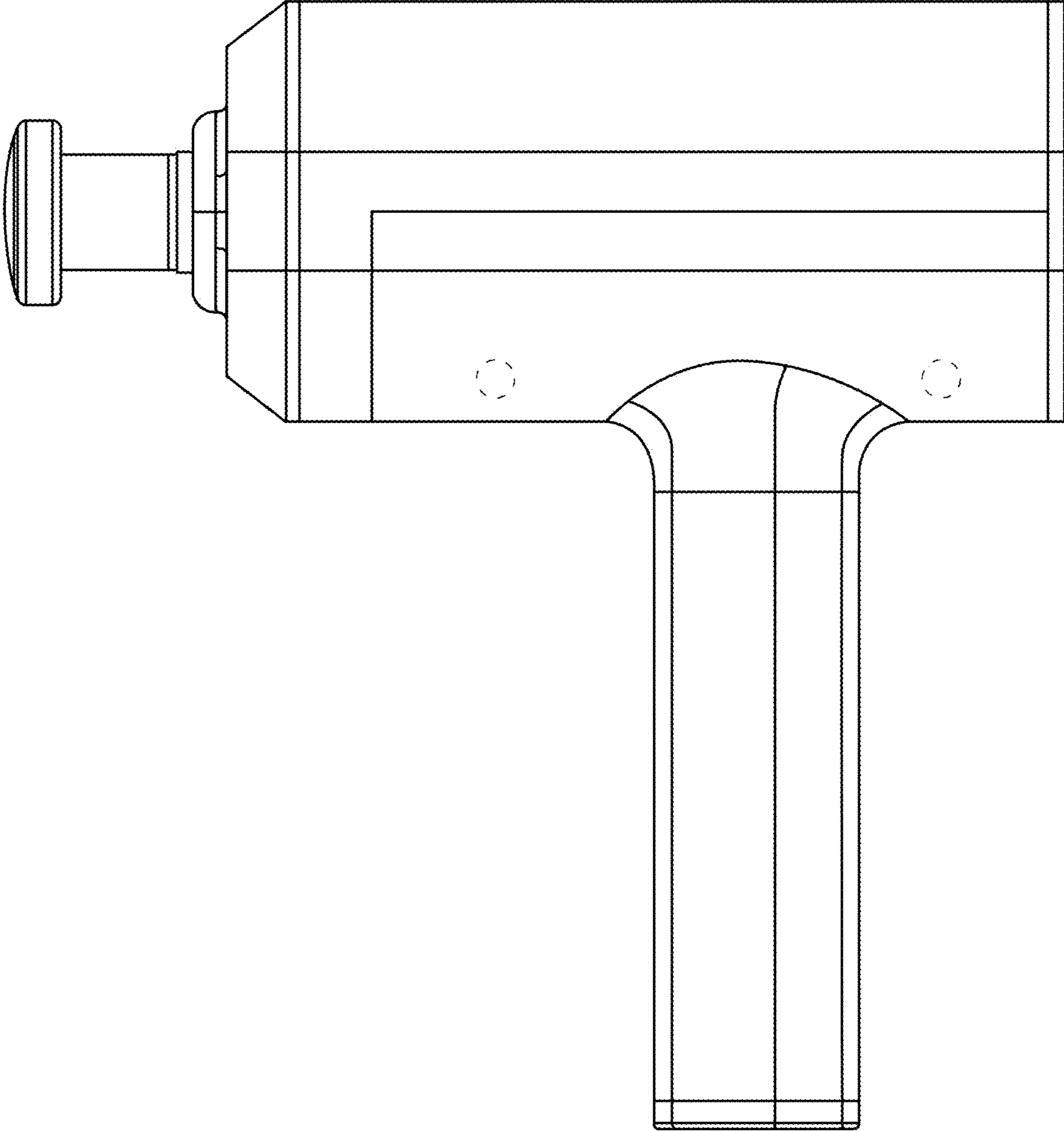


FIG.1

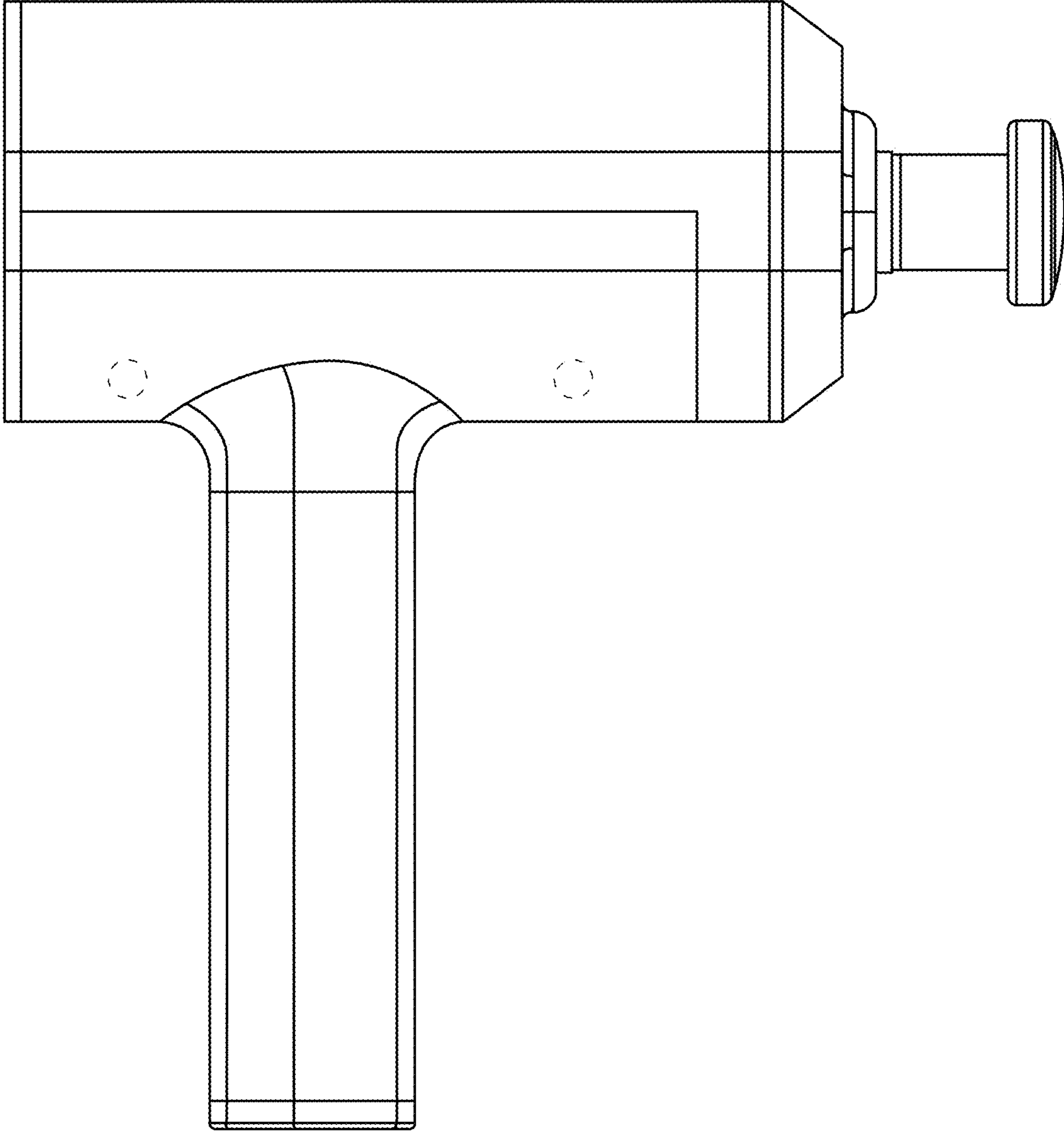


FIG.2

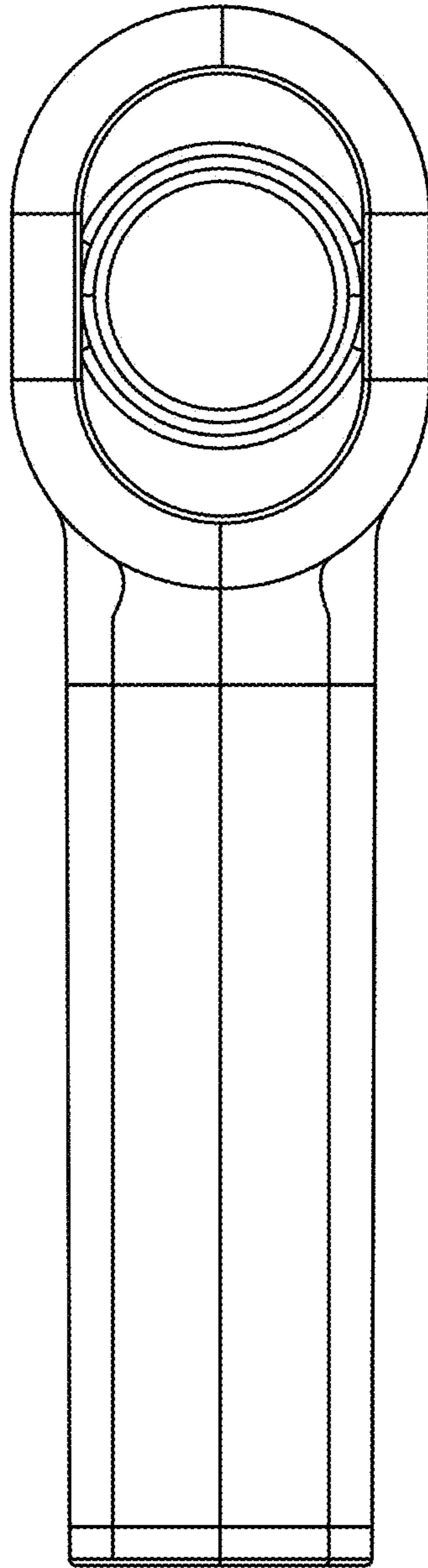


FIG.3

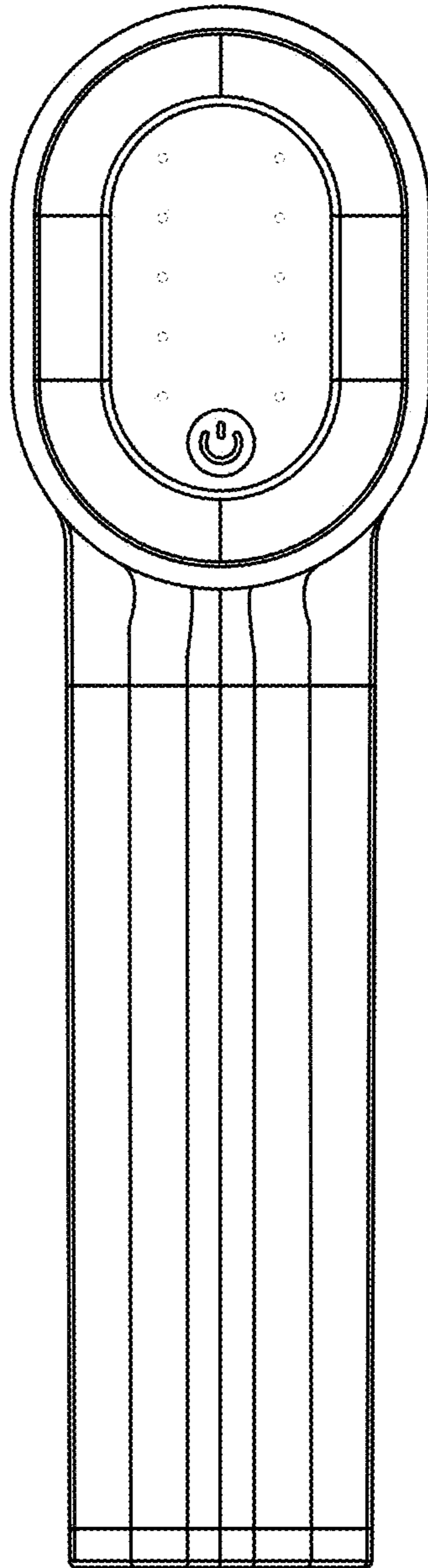


FIG.4



FIG.5

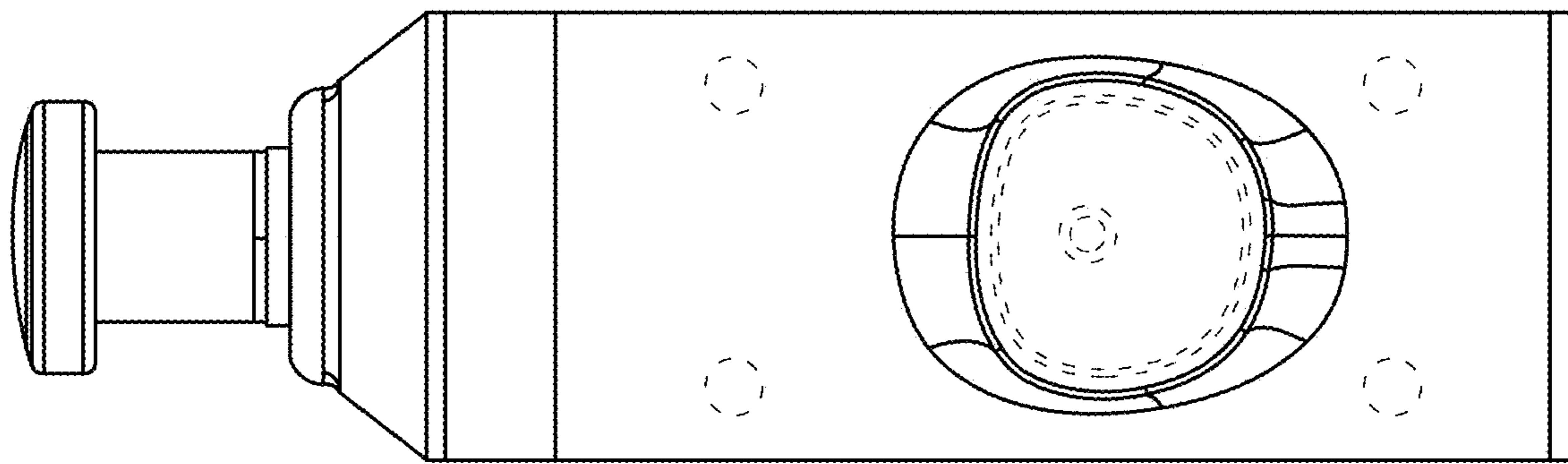


FIG.6



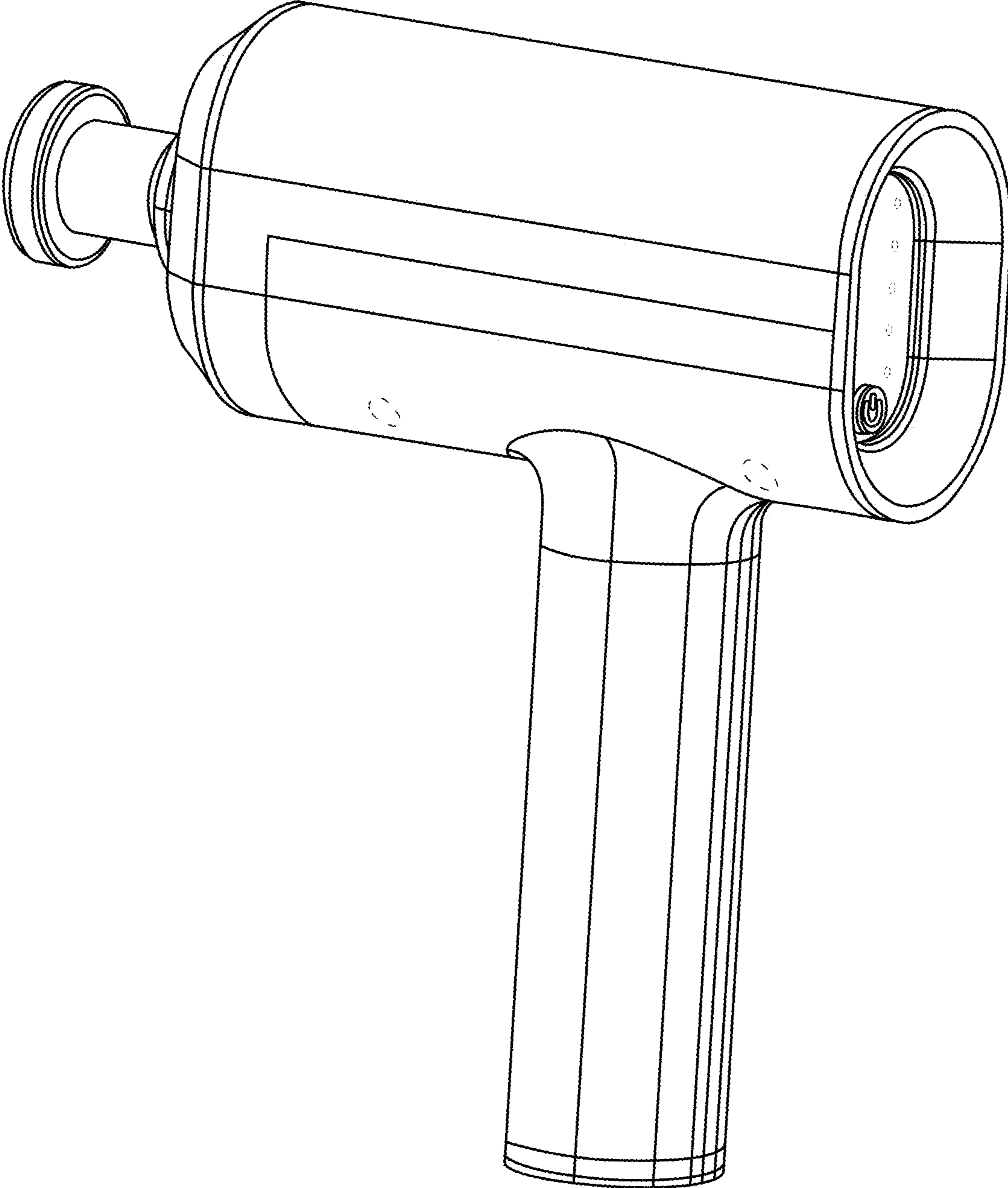


FIG.7