

US00D931481S

(12) **United States Design Patent** (10) **Patent No.:** **US D931,481 S**
Li (45) **Date of Patent:** **** Sep. 21, 2021**

(54) **FASCIA GUN**
(71) Applicant: **Gangxuan Li**, Yongkang (CN)
(72) Inventor: **Gangxuan Li**, Yongkang (CN)
(**) Term: **15 Years**
(21) Appl. No.: **29/706,002**
(22) Filed: **Sep. 17, 2019**

D884,915 S * 5/2020 Wersland D24/215
D885,601 S * 5/2020 Wersland D24/215
D886,317 S * 6/2020 Marton D24/215
D887,573 S * 6/2020 Wersland D24/215
D893,738 S * 8/2020 Zhuang D24/215
D895,132 S * 9/2020 Hu D24/215
D895,133 S * 9/2020 Xu D24/215
D895,135 S * 9/2020 Xu D24/215
D895,829 S * 9/2020 Hu D24/215
D895,831 S * 9/2020 Chen D24/215
D896,396 S * 9/2020 Wersland D24/215

(Continued)

(30) **Foreign Application Priority Data**

Mar. 18, 2019 (CN) 201930111811.2

(51) **LOC (13) Cl.** **28-03**
(52) **U.S. Cl.**
USPC **D24/211**
(58) **Field of Classification Search**
USPC D24/200, 211, 212, 213, 214, 215;
D8/14.1
CPC A61H 2015/0014; A61H 15/00; A61H
2015/0042
See application file for complete search history.

(56) **References Cited**

U.S. PATENT DOCUMENTS

D616,558 S * 5/2010 Tsai D24/200
D847,364 S * 4/2019 Lee D24/215
10,314,762 B1 * 6/2019 Marton A61H 23/006
D855,822 S * 8/2019 Marton D24/215
D866,790 S * 11/2019 Lee D24/215
D872,869 S * 1/2020 Lu D24/215
D873,432 S * 1/2020 Duan D24/214
D874,015 S * 1/2020 Marton D24/215
D875,961 S * 2/2020 Li D24/211
D877,351 S * 3/2020 Wersland D24/215
D879,985 S * 3/2020 Wersland D24/214
D879,986 S * 3/2020 Wersland D24/214
D880,714 S * 4/2020 Wersland D24/215
D880,715 S * 4/2020 Wersland D24/215
D880,716 S * 4/2020 Wersland D24/215
D884,207 S * 5/2020 Ma D24/215

OTHER PUBLICATIONS

Amazon, "PhysioPro Massage Gun", Aug. 26, 2019. https://www.amazon.com/Massage-Gun-Athletes-Instructional-Massager/dp/B089G79417/ref=sr_1_29?dchild=1&keywords=anyhow+massage+gun&qid=1618489545&sr=8-29. Shown on p. 1. (Year: 2019).*

(Continued)

Primary Examiner — Cynthia Ramirez
Assistant Examiner — Michael A Maharajh

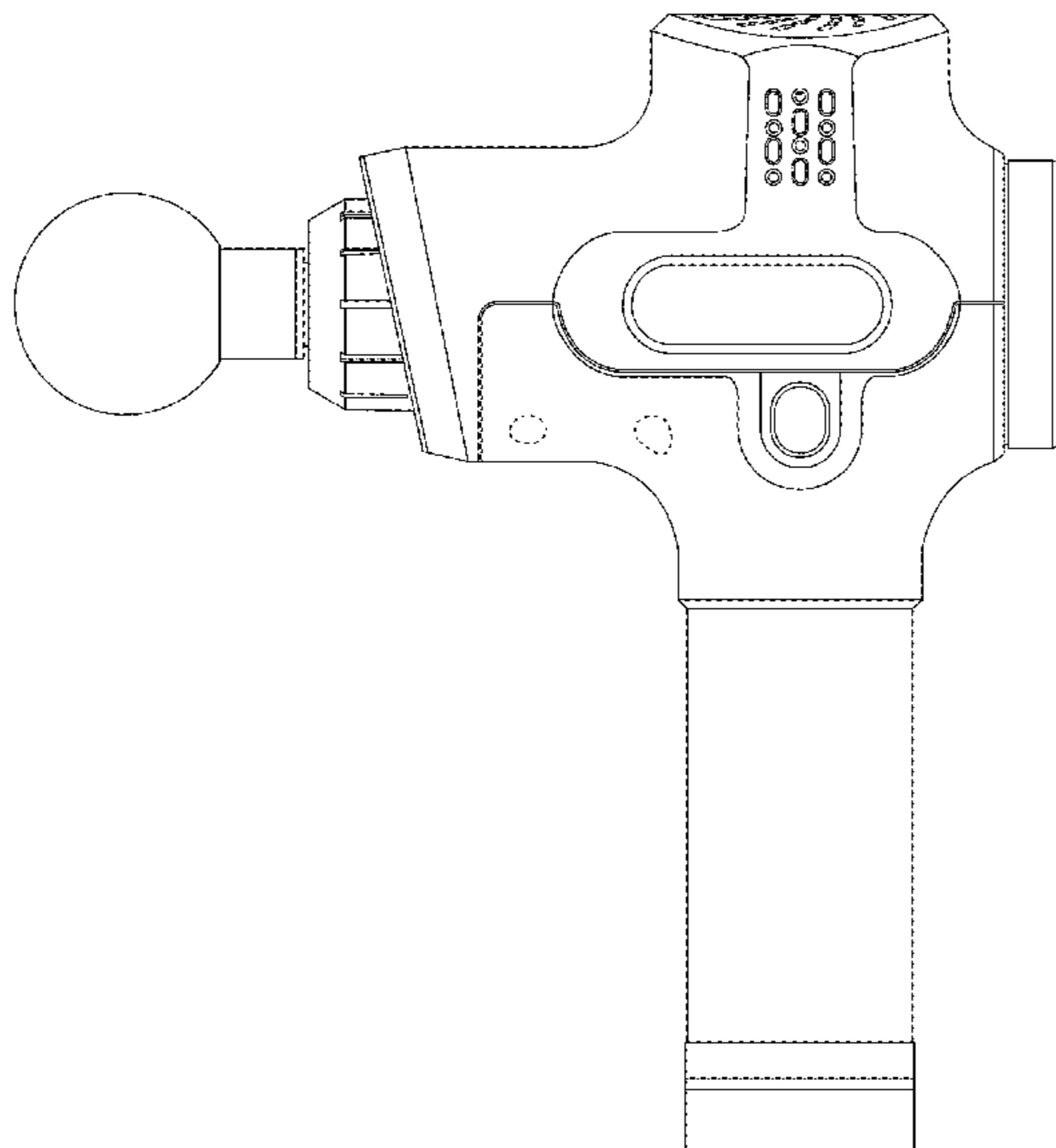
(57) **CLAIM**

The ornamental design for a fascia gun, as shown and described.

DESCRIPTION

FIG. 1 is a front elevational view of a fascia gun showing my new design;
FIG. 2 is a rear elevational view thereof;
FIG. 3 is a left side view thereof;
FIG. 4 is a right side view thereof;
FIG. 5 is a top plan view thereof;
FIG. 6 is a bottom plan view thereof; and,
FIG. 7 is a perspective view thereof.
The broken lines shown in the figures are for the purpose of illustrating portions of the fascia gun, which form no part of the claimed design.

1 Claim, 7 Drawing Sheets



(56)

References Cited

U.S. PATENT DOCUMENTS

D898,209	S	*	10/2020	Xu	D24/214
D898,933	S	*	10/2020	Xu	D24/215
D899,620	S	*	10/2020	Huang	D24/215
D900,329	S	*	10/2020	Xu	D24/215
D905,863	S	*	12/2020	Lin	D24/215
D906,533	S	*	12/2020	Xu	D24/215
D907,229	S	*	1/2021	Zhang	D24/215
D907,230	S	*	1/2021	Zhang	D24/215
D908,908	S	*	1/2021	Xu	D24/215
D910,194	S	*	2/2021	Radtke	D24/215
D911,535	S	*	2/2021	Yu	D24/200
D912,267	S	*	3/2021	Tang	D24/215
D912,268	S	*	3/2021	Xiang	D24/215
D912,835	S	*	3/2021	Ren	D24/200
D913,516	S	*	3/2021	Zhang	D24/215
D913,517	S	*	3/2021	Yu	D24/215
2018/0200141	A1	*	7/2018	Wersland	A61H 23/006

OTHER PUBLICATIONS

Amazon, "Anyhow Professional Massage Gun", Oct. 23, 2019.
https://www.amazon.com/Anyow-Professional-Percussion-Massager-Relaxation/dp/B07XXVFHXS/ref=cm_cr_arp_d_product_top?ie=UTF8. Shown on p. 1. (Year: 2019).*

* cited by examiner

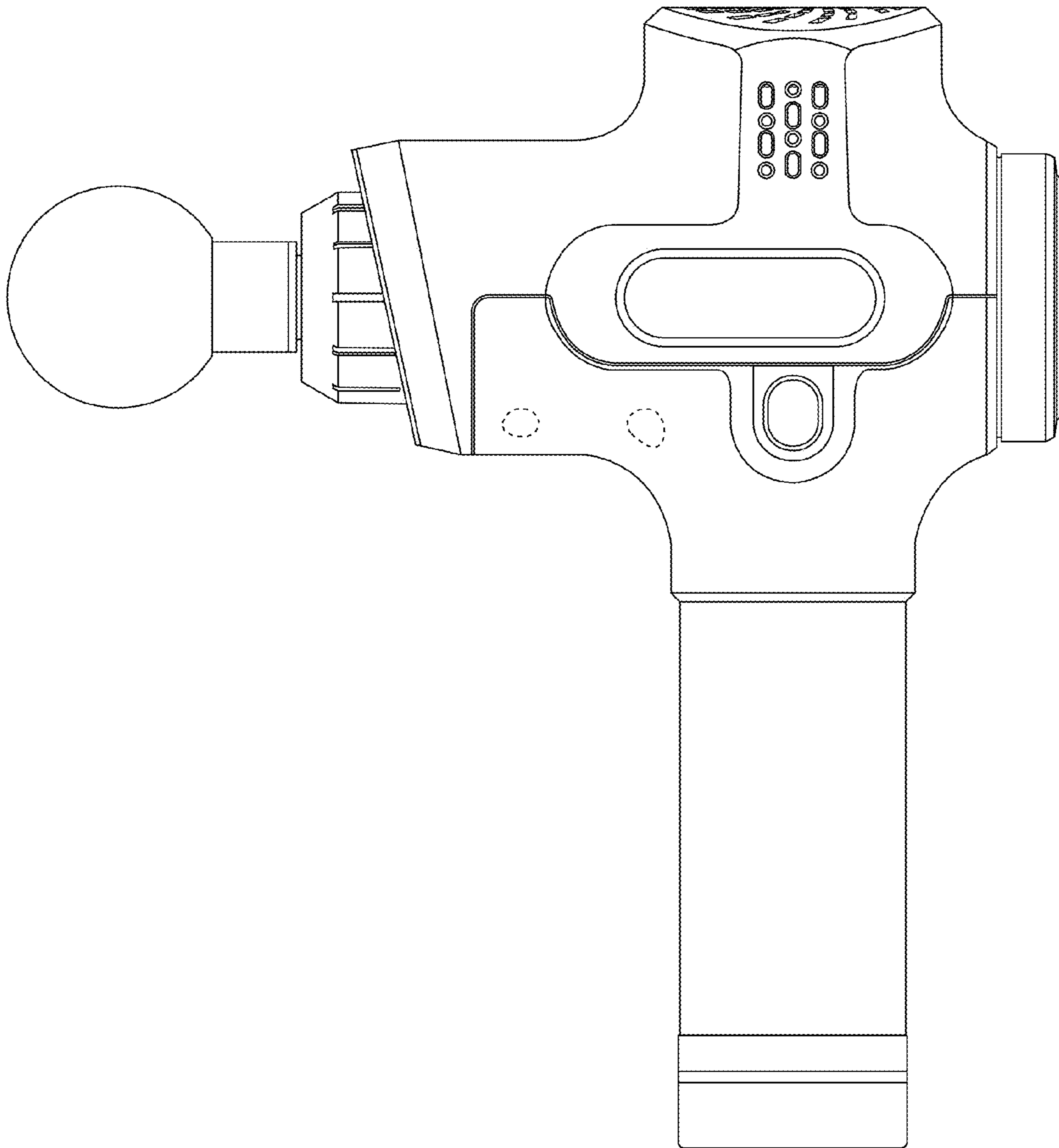


FIG.1

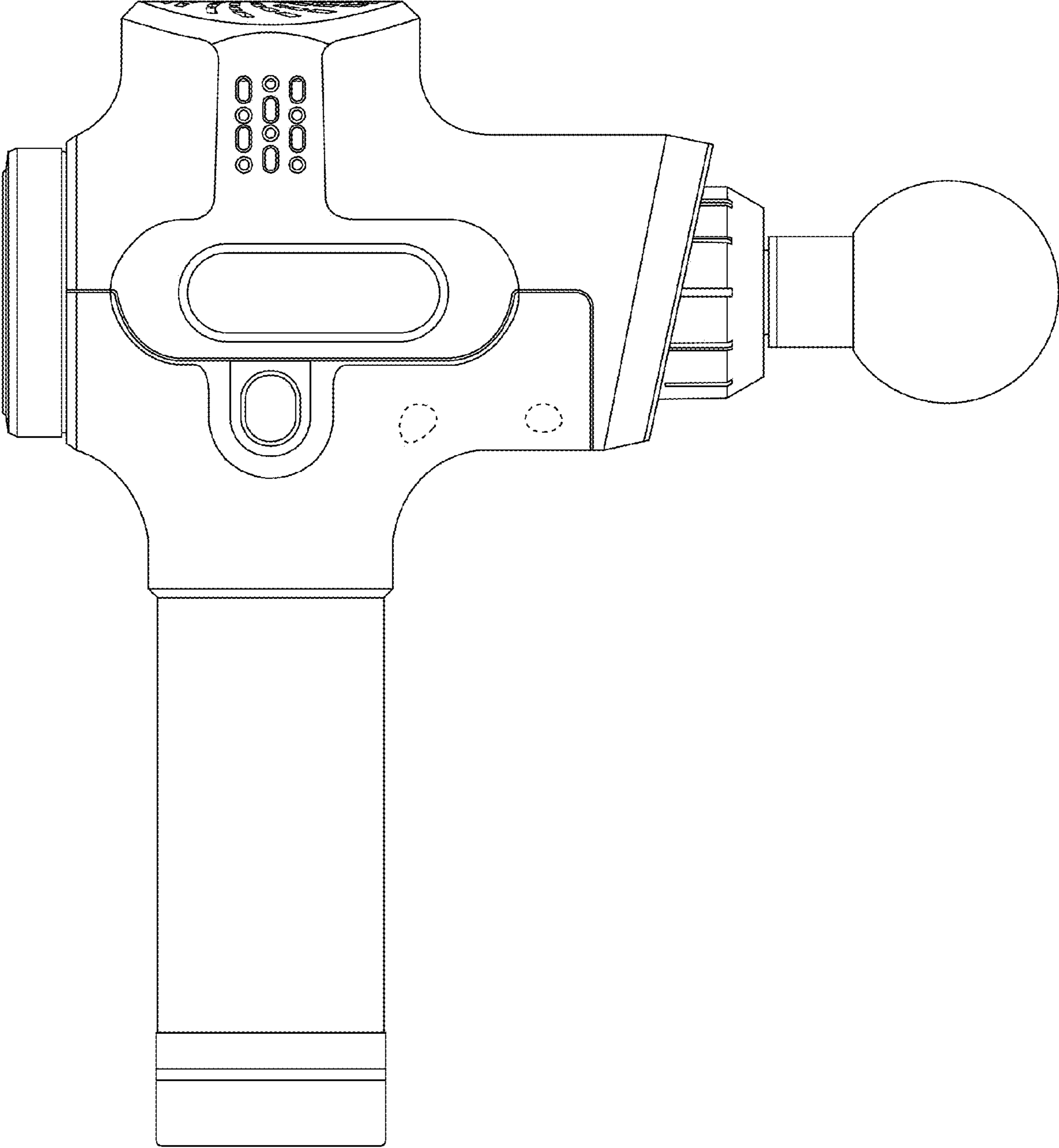


FIG.2

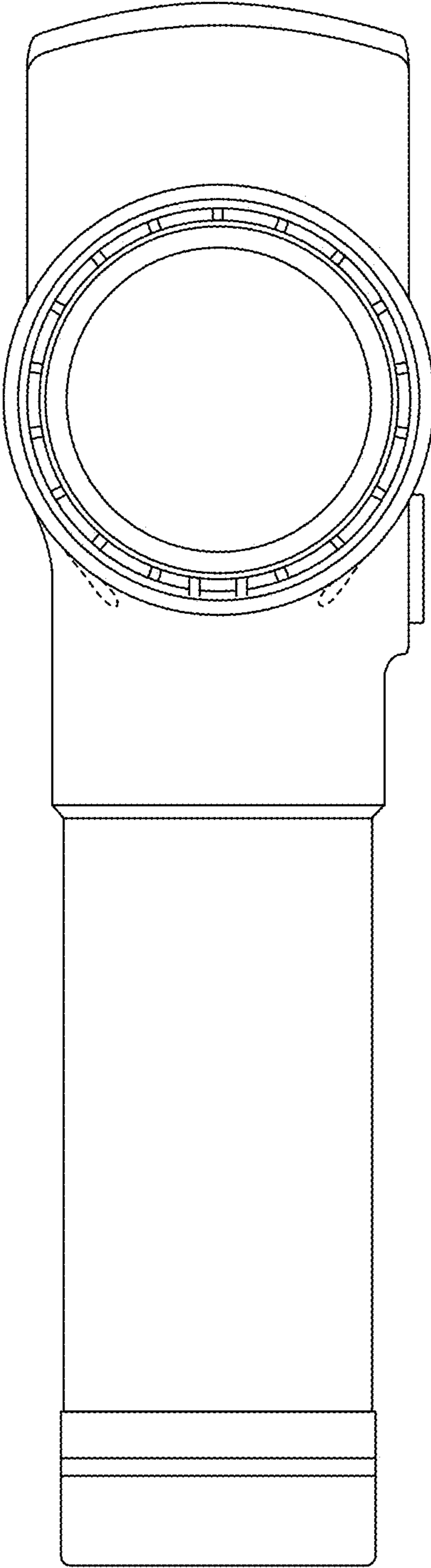


FIG.3

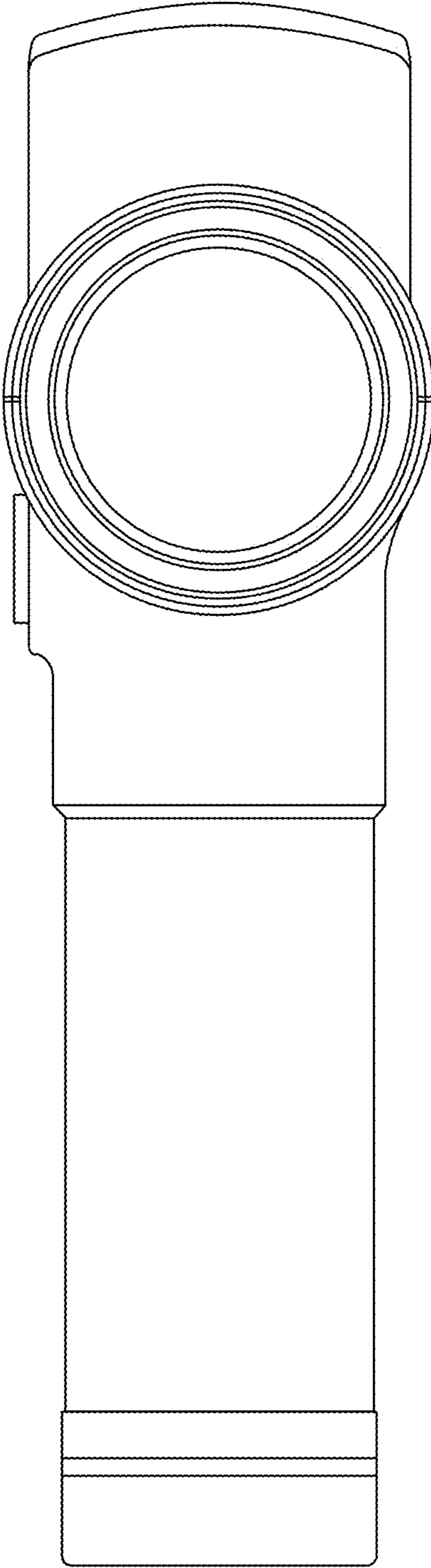


FIG.4

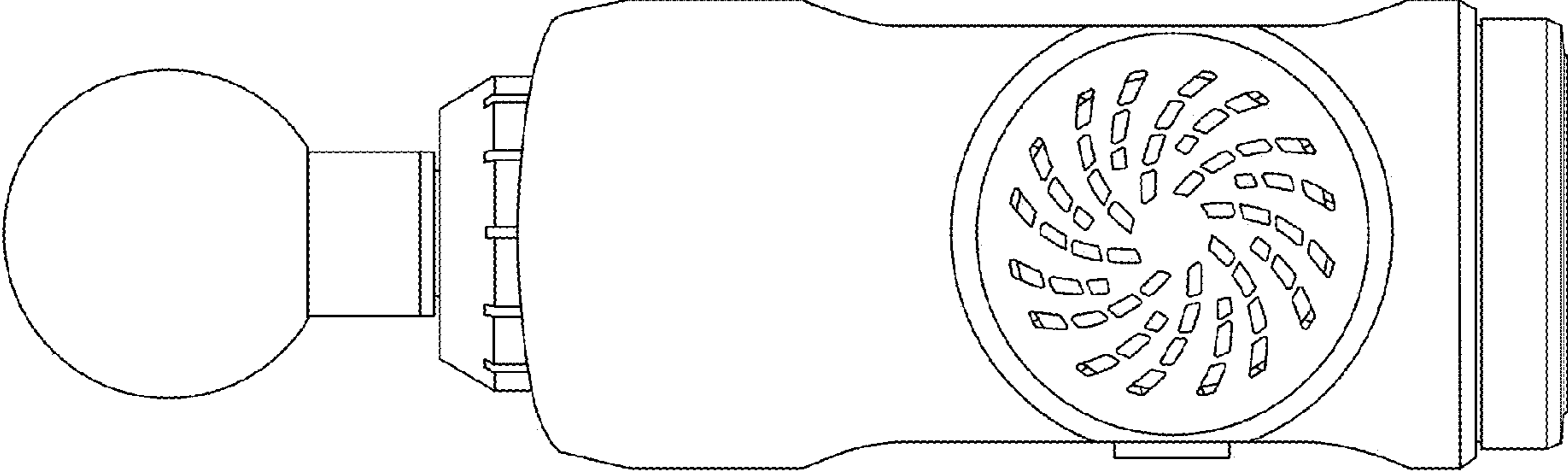


FIG.5

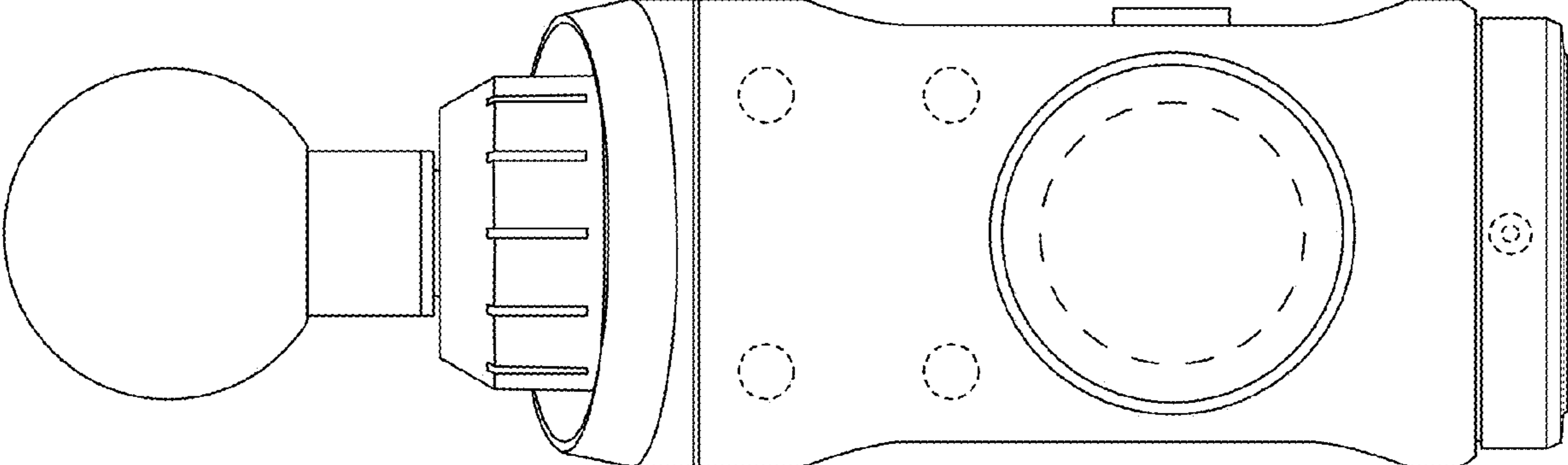


FIG.6

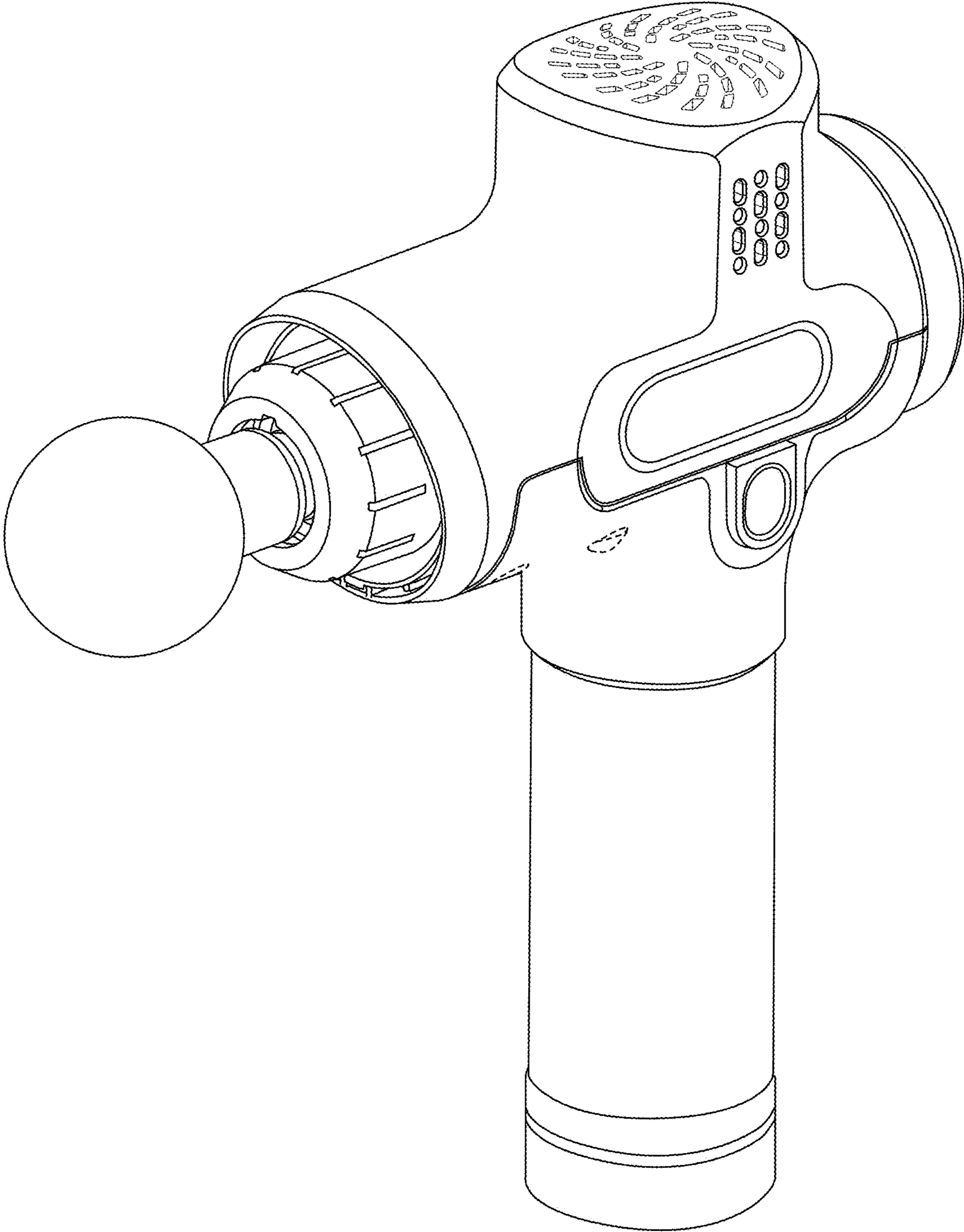


FIG.7