



US00D931474S

(12) **United States Design Patent**
Li

(10) **Patent No.:** **US D931,474 S**

(45) **Date of Patent:** **** Sep. 21, 2021**

(54) **BUNION CORRECTOR**

(71) Applicant: **SHENZHEN LIANGZILIXING INDUSTRIAL CO., LTD.**, Shenzhen (CN)

(72) Inventor: **Hongliang Li**, Shenzhen (CN)

(73) Assignee: **SHENZHEN LIANGZILIXING INDUSTRIAL CO., LTD.**, Shenzhen (CN)

(**) Term: **15 Years**

(21) Appl. No.: **29/686,403**

(22) Filed: **Apr. 4, 2019**

(51) **LOC (13) Cl.** **24-04**

(52) **U.S. Cl.**
USPC **D24/192**

(58) **Field of Classification Search**
USPC D24/188-192
CPC A61F 5/0111; A61F 5/0113; A61F 5/01;
A61F 5/0102; A61F 5/0127; A61F
5/0585; A61F 5/019; A61F 13/064; A61F
13/065; A61F 5/10; A61F 13/063; A61F
13/068; A63B 21/0442; A63B 21/0557;
A63B 21/4025; A63B 21/4015
See application file for complete search history.

(56) **References Cited**

U.S. PATENT DOCUMENTS

1,471,041 A * 10/1923 Levitt A61F 5/019
128/894
2,492,312 A * 12/1949 Muller A61F 5/019
602/30

D613,909 S * 4/2010 Oban D29/121.2
D683,036 S * 5/2013 Rust Huthmaker D24/192
D717,961 S * 11/2014 Rupert D24/192
D778,446 S * 2/2017 Kumar D24/171
D880,706 S * 4/2020 Kersen D24/192
2006/0155233 A1* 7/2006 Huber A61F 5/0102
602/30

* cited by examiner

Primary Examiner — Jennifer L Watkins

(74) *Attorney, Agent, or Firm* — Law Offices of Steven W. Weinrieb

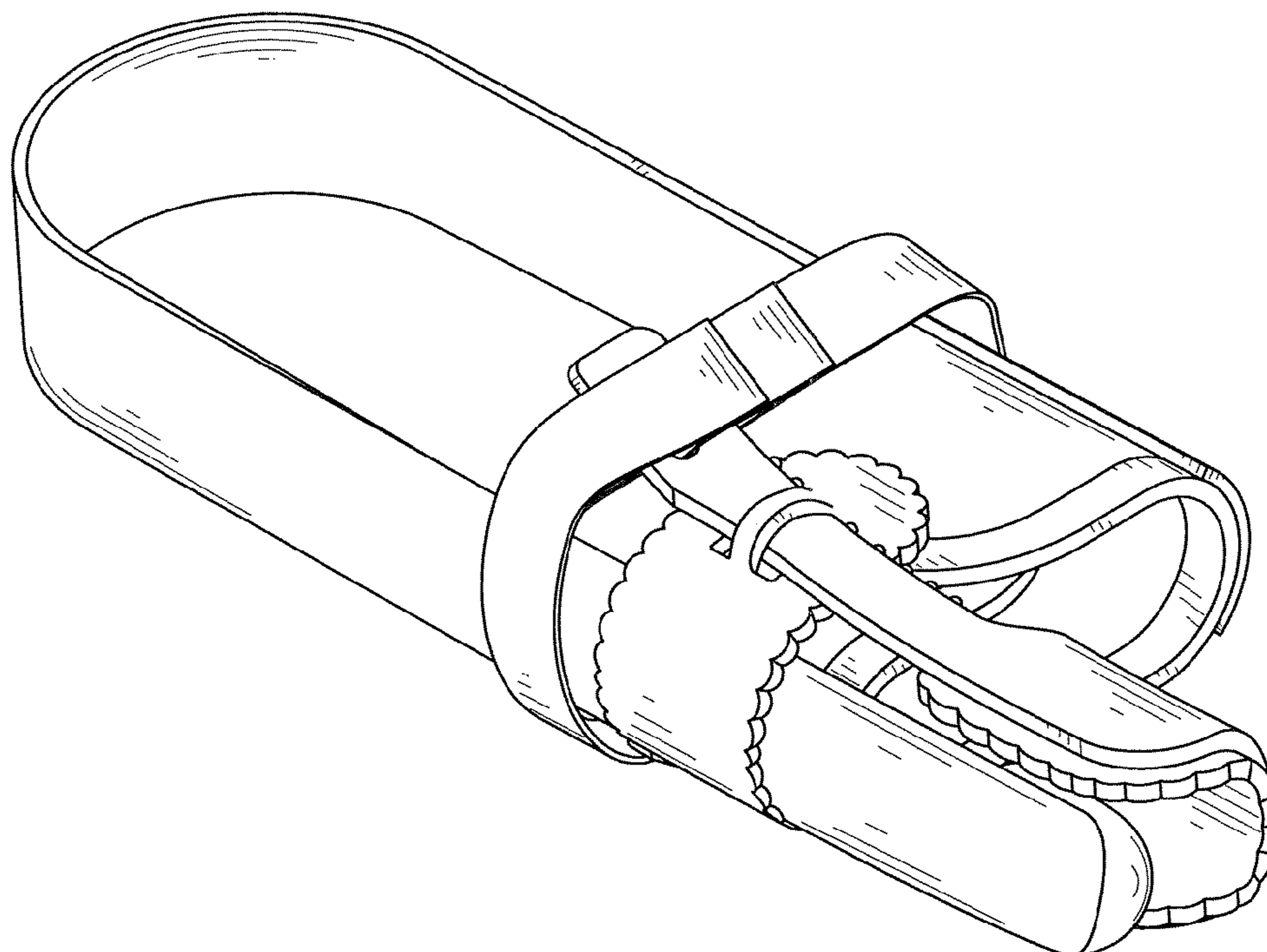
(57) **CLAIM**

The ornamental design for a bunion corrector, as shown and described.

DESCRIPTION

FIG. 1 is a front, right side, top perspective view of a bunion corrector showing my new design;
FIG. 2 is a rear, left side, bottom perspective view thereof;
FIG. 3 is a top plan view thereof;
FIG. 4 is a bottom plan view thereof;
FIG. 5 is a right side elevational view thereof;
FIG. 6 is a left side elevational view thereof;
FIG. 7 is a rear elevational view thereof;
FIG. 8 is a front elevational view thereof; and,
FIG. 9 is a front, right side, top perspective view thereof showing the bunion corrector in use.
The broken lines showing a human leg in FIG. 9 depicts environment and forms no part of the claimed design.

1 Claim, 9 Drawing Sheets



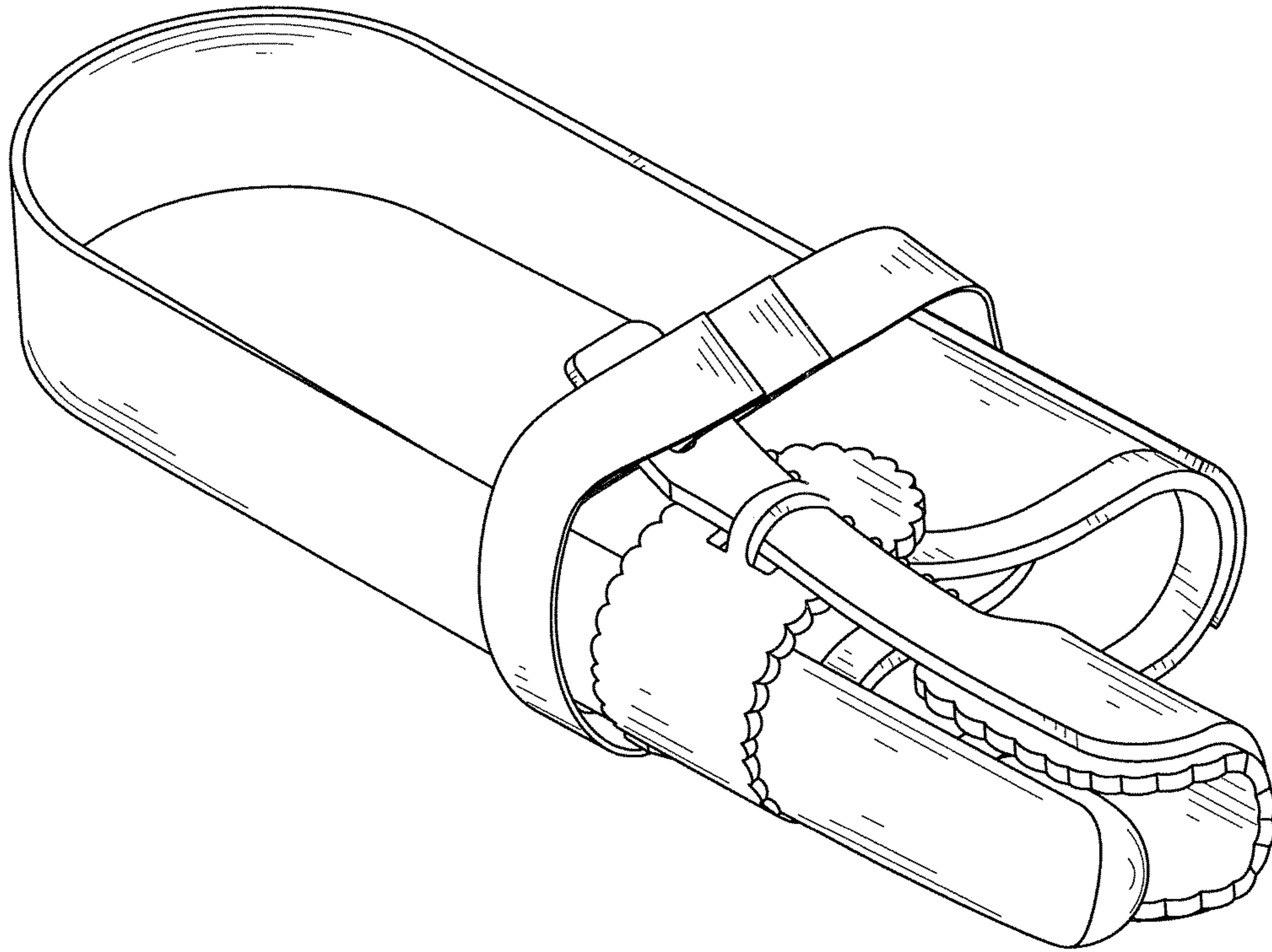


FIG. 1

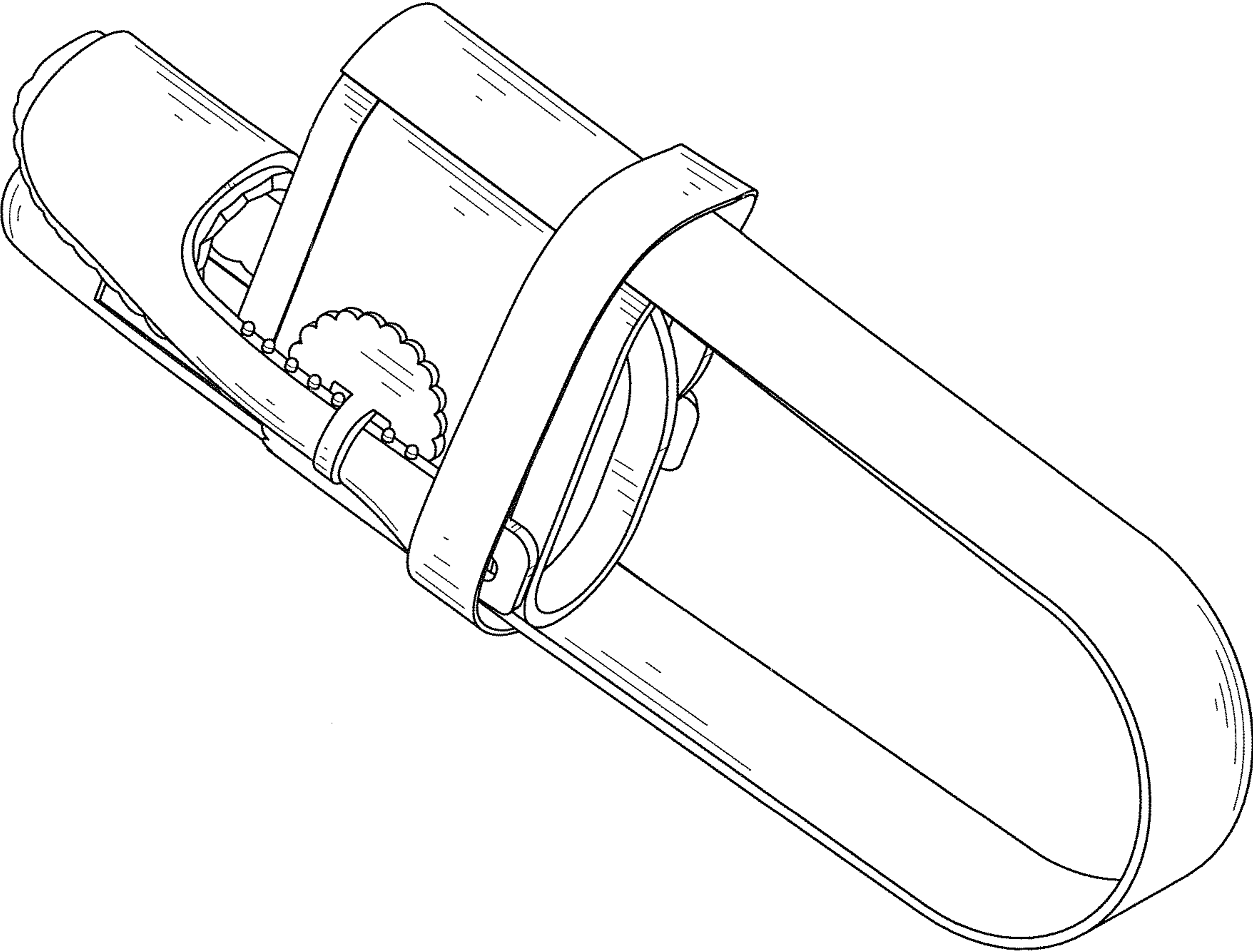


FIG. 2

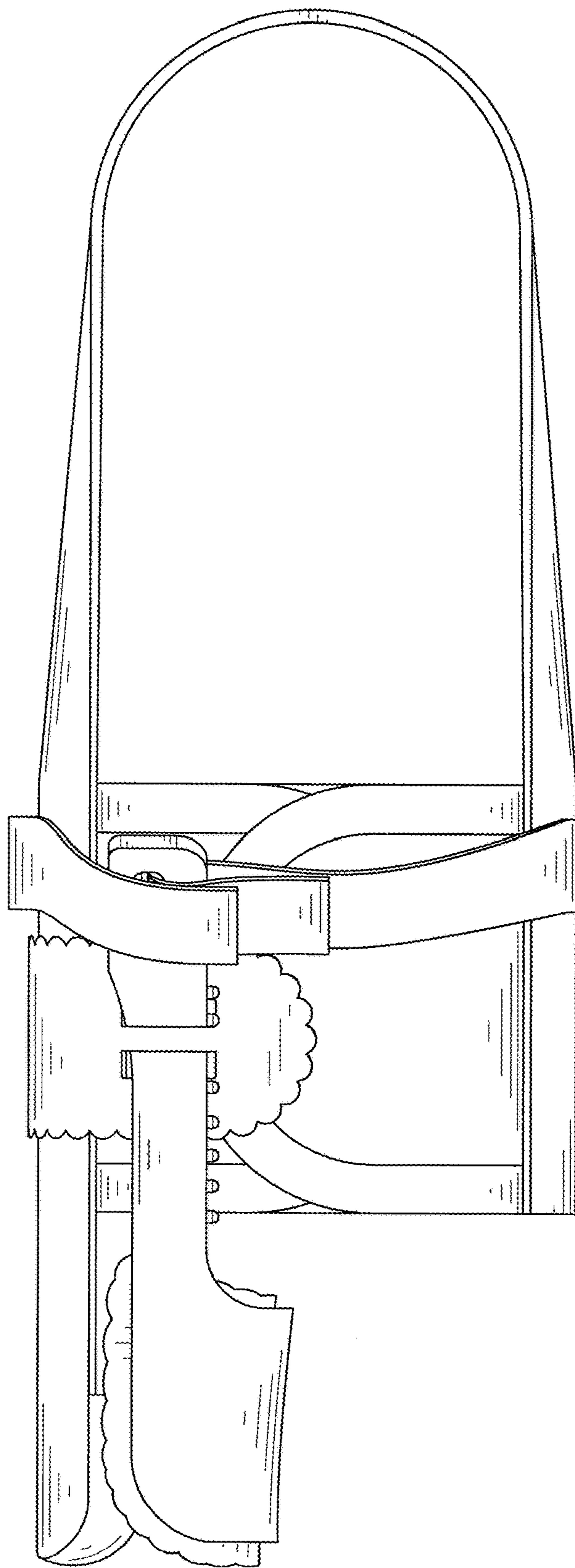


FIG. 3

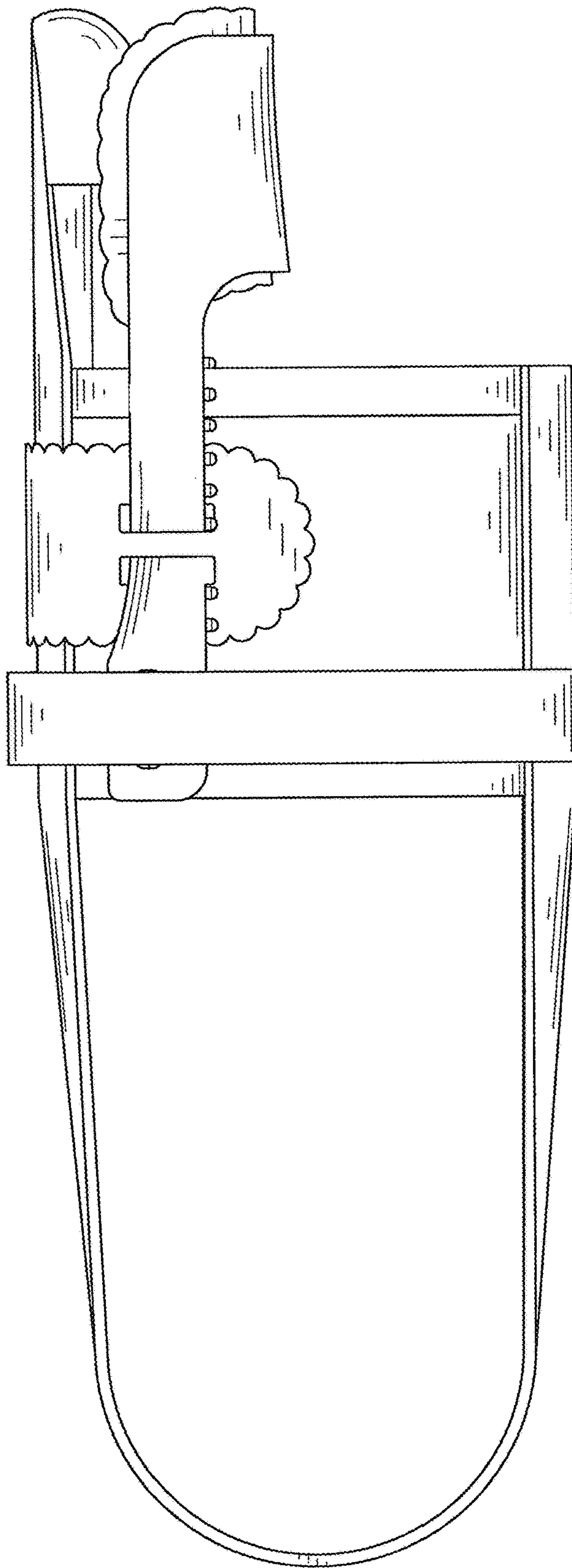


FIG. 4

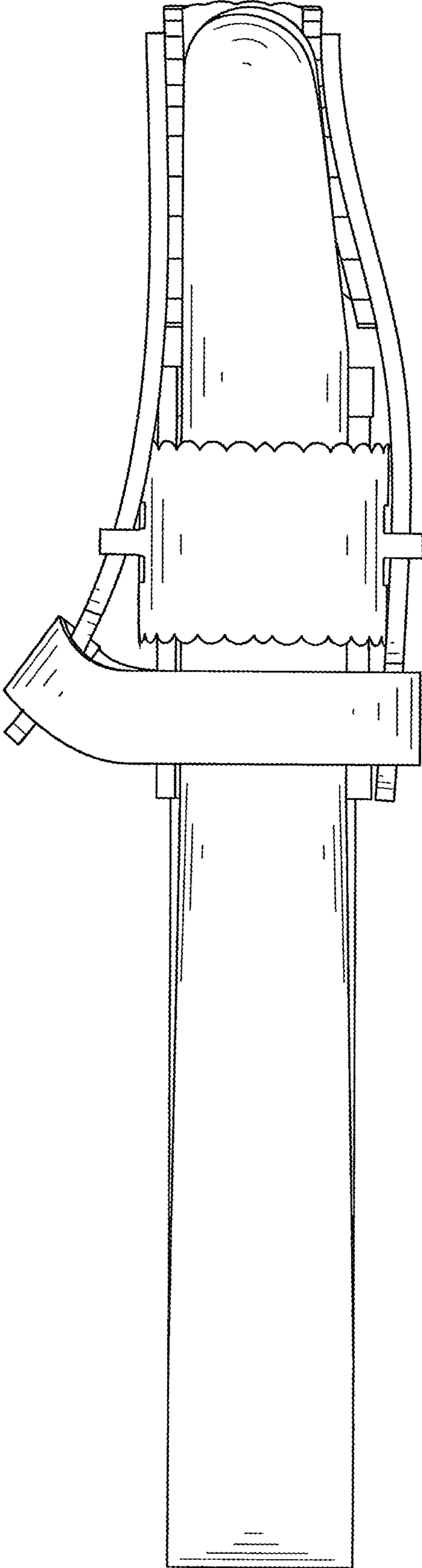


FIG. 5

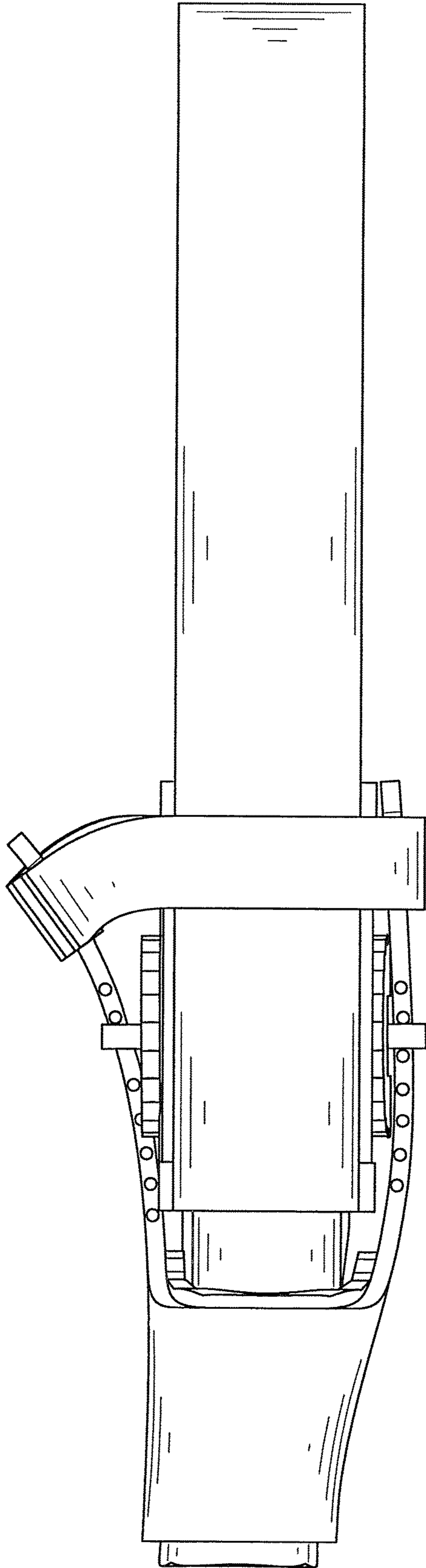


FIG. 6

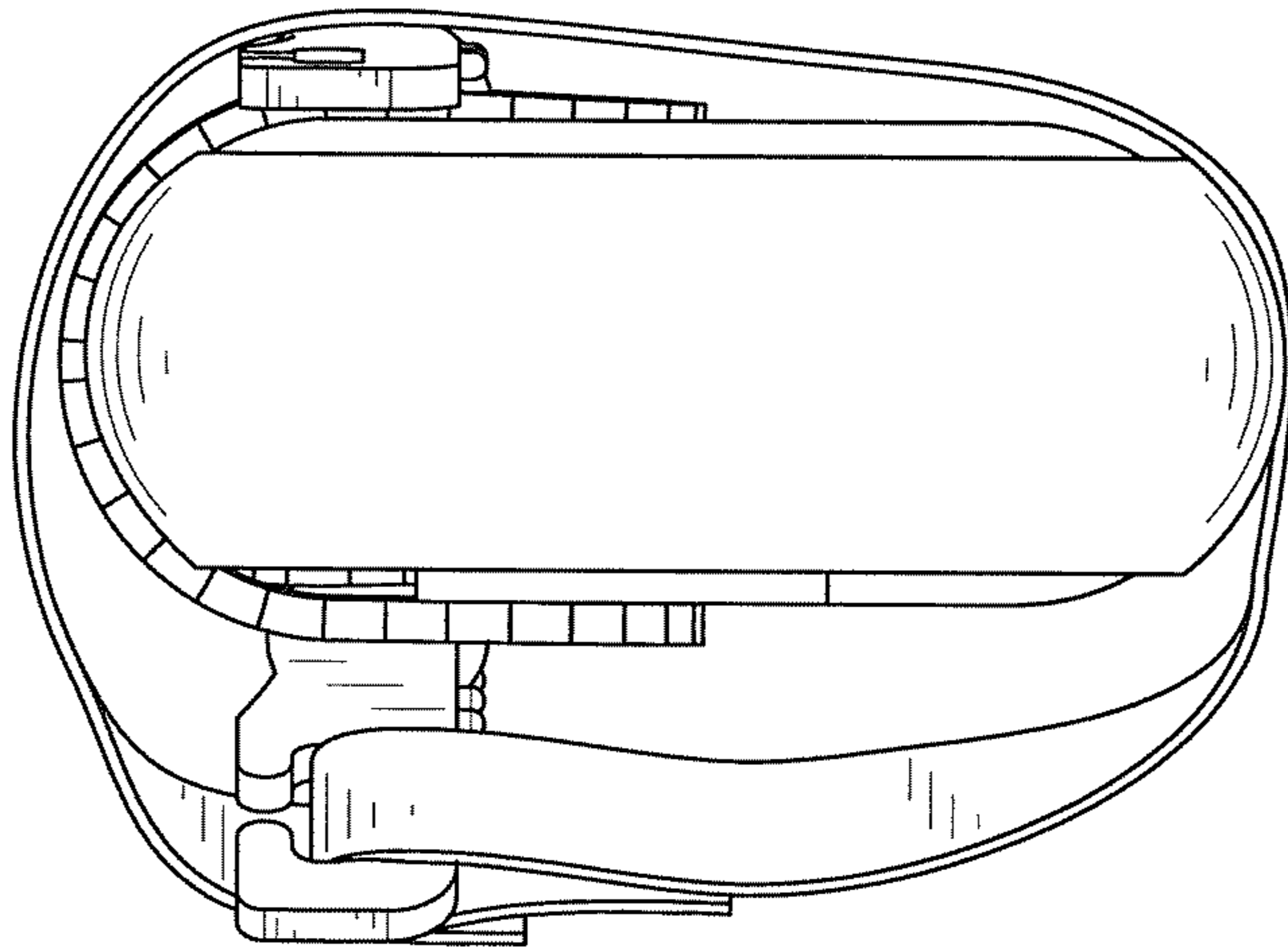


FIG. 7

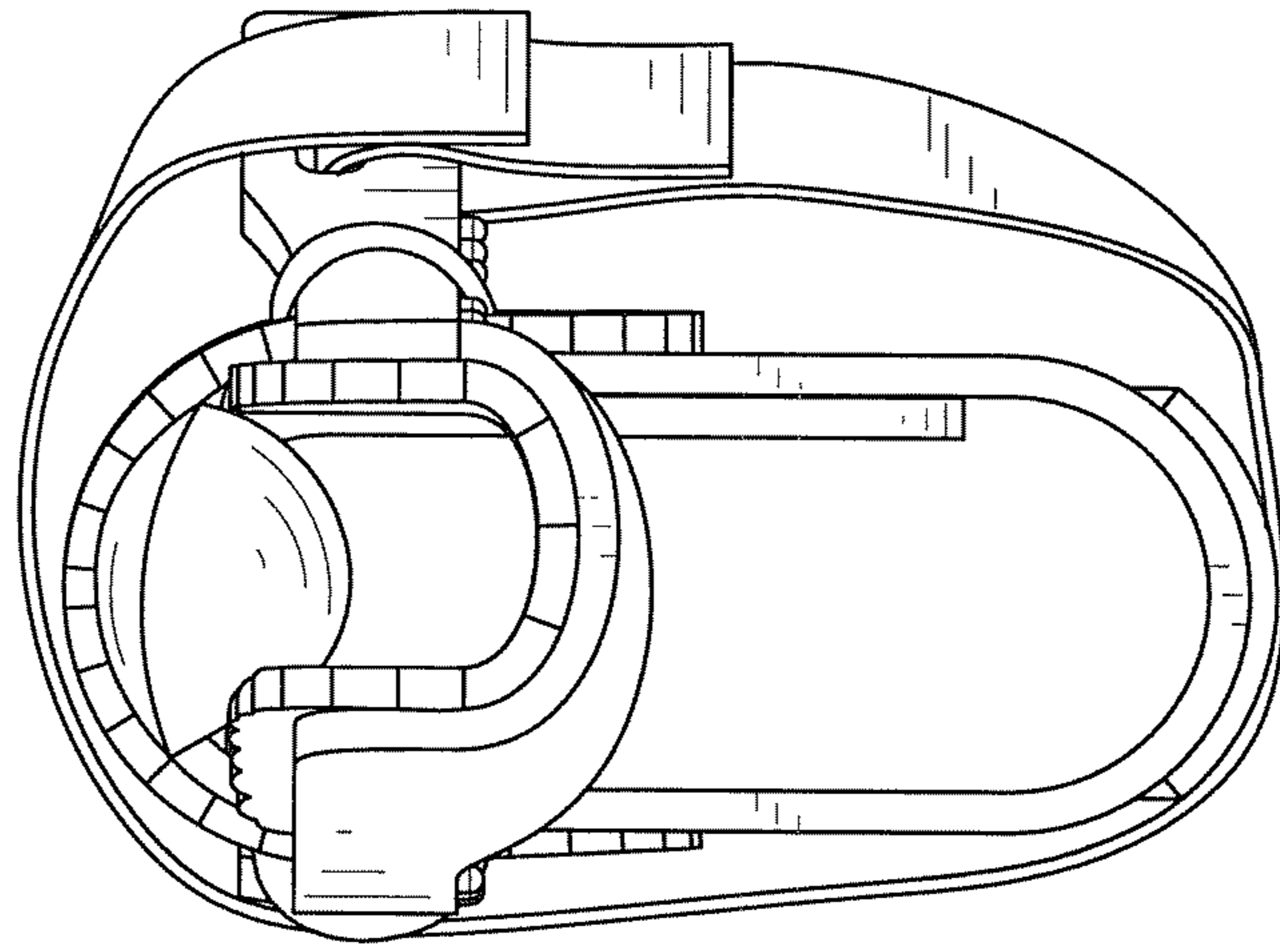


FIG. 8

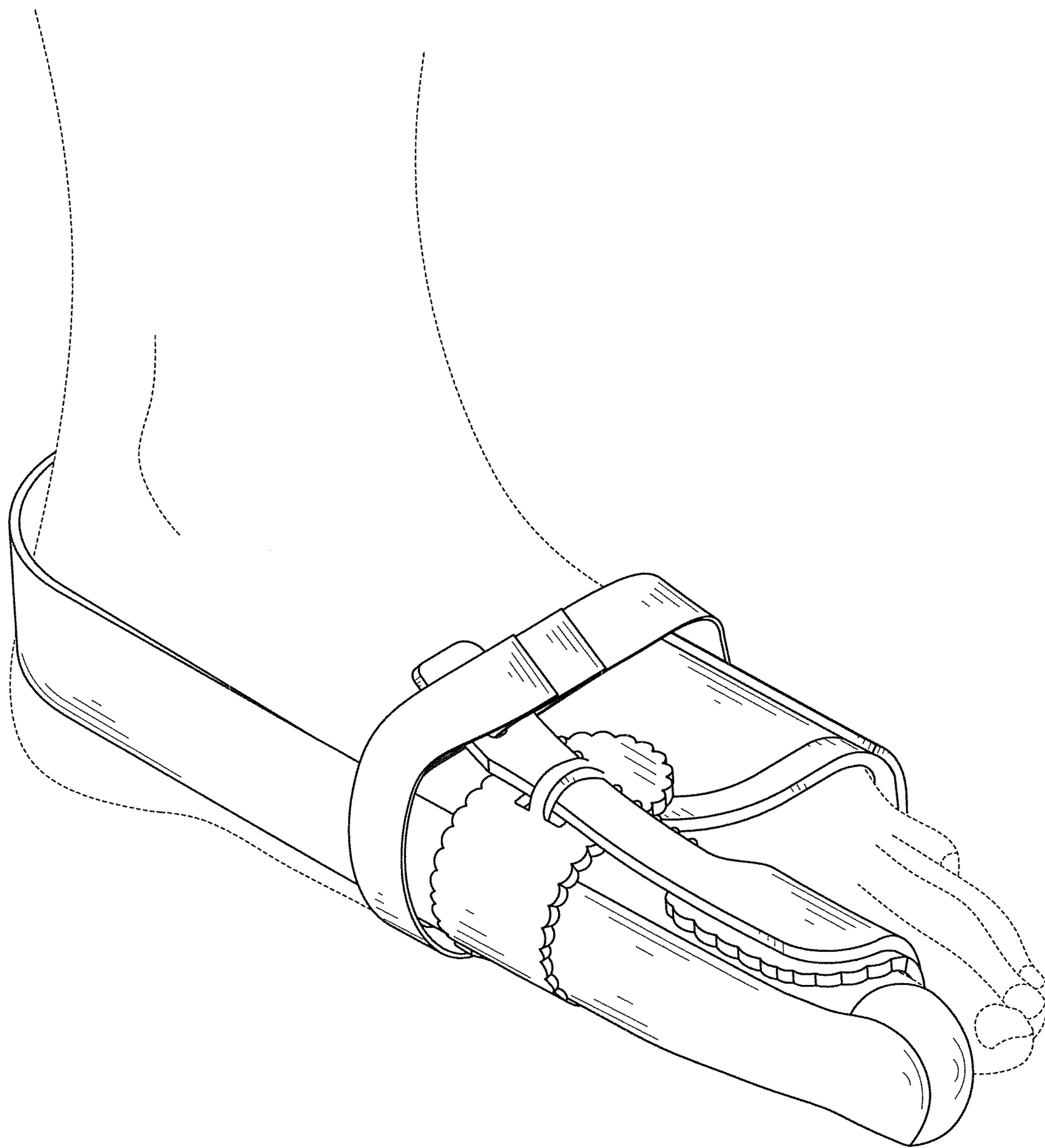


FIG. 9