



US00D931469S

(12) **United States Design Patent** (10) **Patent No.:** **US D931,469 S**  
**Walton** (45) **Date of Patent:** **\*\* Sep. 21, 2021**

(54) **SLEEP STRIP**  
(71) Applicant: **Graeme Francis Walton**, Main Beach (AU)  
(72) Inventor: **Graeme Francis Walton**, Main Beach (AU)

(\*\*) Term: **15 Years**

(21) Appl. No.: **29/706,957**

(22) Filed: **Sep. 25, 2019**

(30) **Foreign Application Priority Data**

Mar. 26, 2019 (AU) ..... 201911653

(51) **LOC (13) Cl.** ..... **24-04**

(52) **U.S. Cl.**  
USPC ..... **D24/189**

(58) **Field of Classification Search**  
USPC ..... D24/186-192; D28/4-9  
CPC ..... A41D 13/1161; A41D 13/11;  
A41D 13/1169; A41D 2400/32; A41D  
2500/20; A41D 2500/52; A45D 44/12;  
A45D 44/002; A45D 40/30; A61F 9/04;  
A61F 13/122

See application file for complete search history.

(56) **References Cited**

**U.S. PATENT DOCUMENTS**

D388,534 S \* 12/1997 Uemura ..... D28/4  
D402,418 S \* 12/1998 Mibus ..... D29/108  
D423,140 S \* 4/2000 DiMartino ..... D28/4  
D434,524 S \* 11/2000 Kalafsky ..... D24/189  
D487,942 S \* 3/2004 Hiroi ..... D28/4  
D699,897 S \* 2/2014 Lara ..... D29/108  
D791,333 S \* 7/2017 Wilson ..... D24/190  
D831,220 S \* 10/2018 Chase ..... D24/189  
D855,883 S \* 8/2019 Douglas ..... D28/4  
D861,060 S \* 9/2019 Zheng ..... A61F 9/04  
D16/301  
D875,956 S \* 2/2020 Turner ..... D24/189  
D876,642 S \* 2/2020 Michalak ..... D24/189

D887,484 S \* 6/2020 Guo ..... A61F 9/04  
D16/301  
D906,405 S \* 12/2020 Seidenfeld ..... D16/301  
2016/0346129 A1\* 12/2016 Schaefer ..... A61F 11/14  
2019/0149903 A1\* 5/2019 Dowding-Young .....  
H04R 1/1041  
381/74  
2021/0048684 A1\* 2/2021 Munn ..... A61F 9/02

**OTHER PUBLICATIONS**

Youtube. Zip Snore How To Apply. Feb. 18, 2021. <https://www.youtube.com/watch?v=AM6PjQre2ks> (Year: 2021).  
Facebook. Stop Snoring Australia. Aug. 8, 2018. <https://www.facebook.com/zipsnore/photos/a.897809956976938/2029915207099735/?type=3&theater> (Year: 2018).\*

\* cited by examiner

*Primary Examiner* — Darcey E Gottschalk  
(74) *Attorney, Agent, or Firm* — Fay Sharpe LLP

(57) **CLAIM**

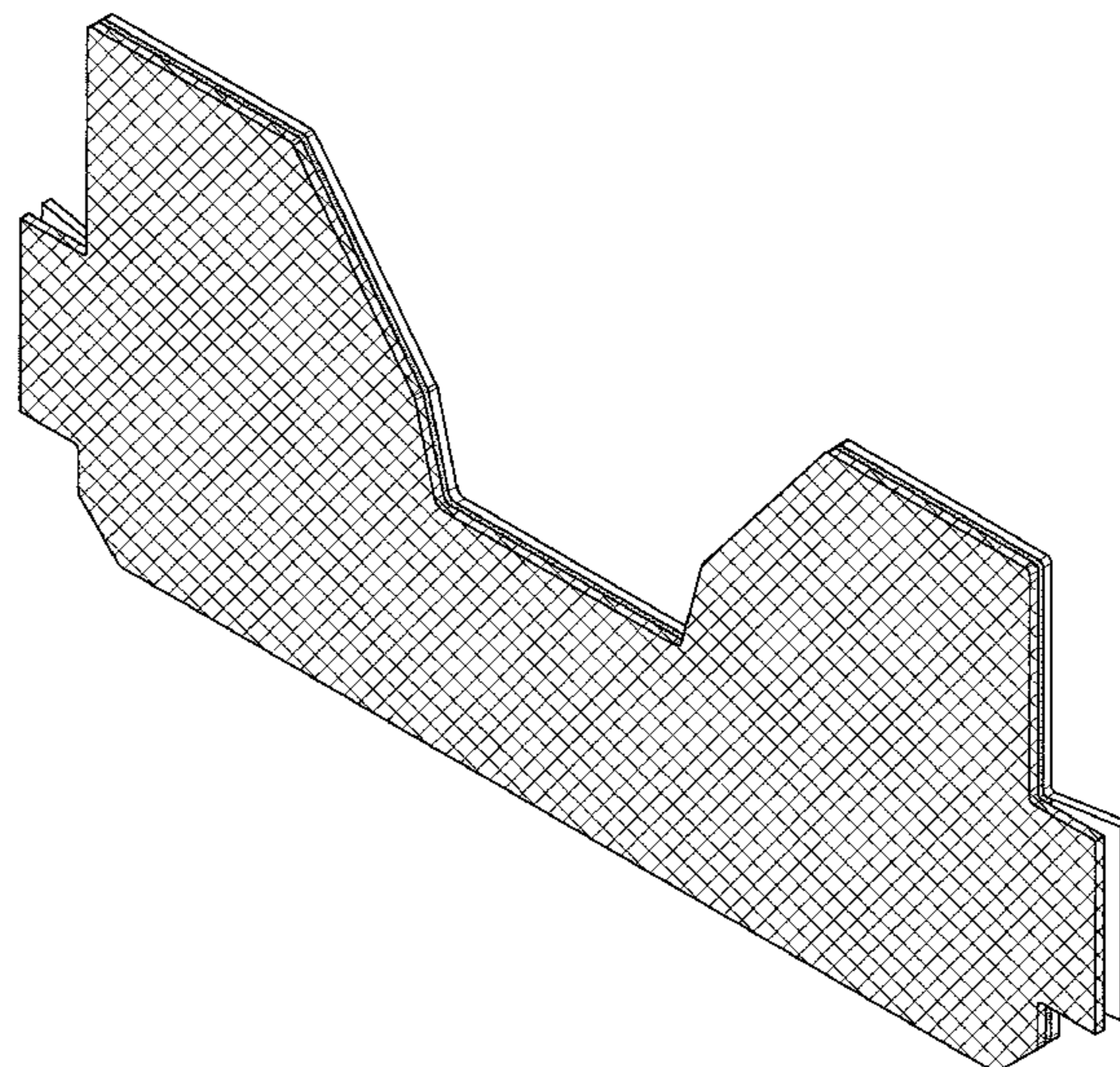
The ornamental design for a sleep strip, as shown and described.

**DESCRIPTION**

FIG. 1 is a front perspective view of the sleep strip showing my new design;  
FIG. 2 is a top plan view thereof;  
FIG. 3 is a front plan view thereof;  
FIG. 4 is a rear plan view thereof;  
FIG. 5 is a bottom plan view thereof;  
FIG. 6 is a first side plan view thereof;  
FIG. 7 is the other side plan view thereof; and,  
FIG. 8 is a detailed plan view of portion 8 from the top plan view of FIG. 2.

The details shown in broken or discontinuous lines in the accompanying drawings are not part of the design and are to be disregarded when considering the overall impression of the design.

**1 Claim, 7 Drawing Sheets**



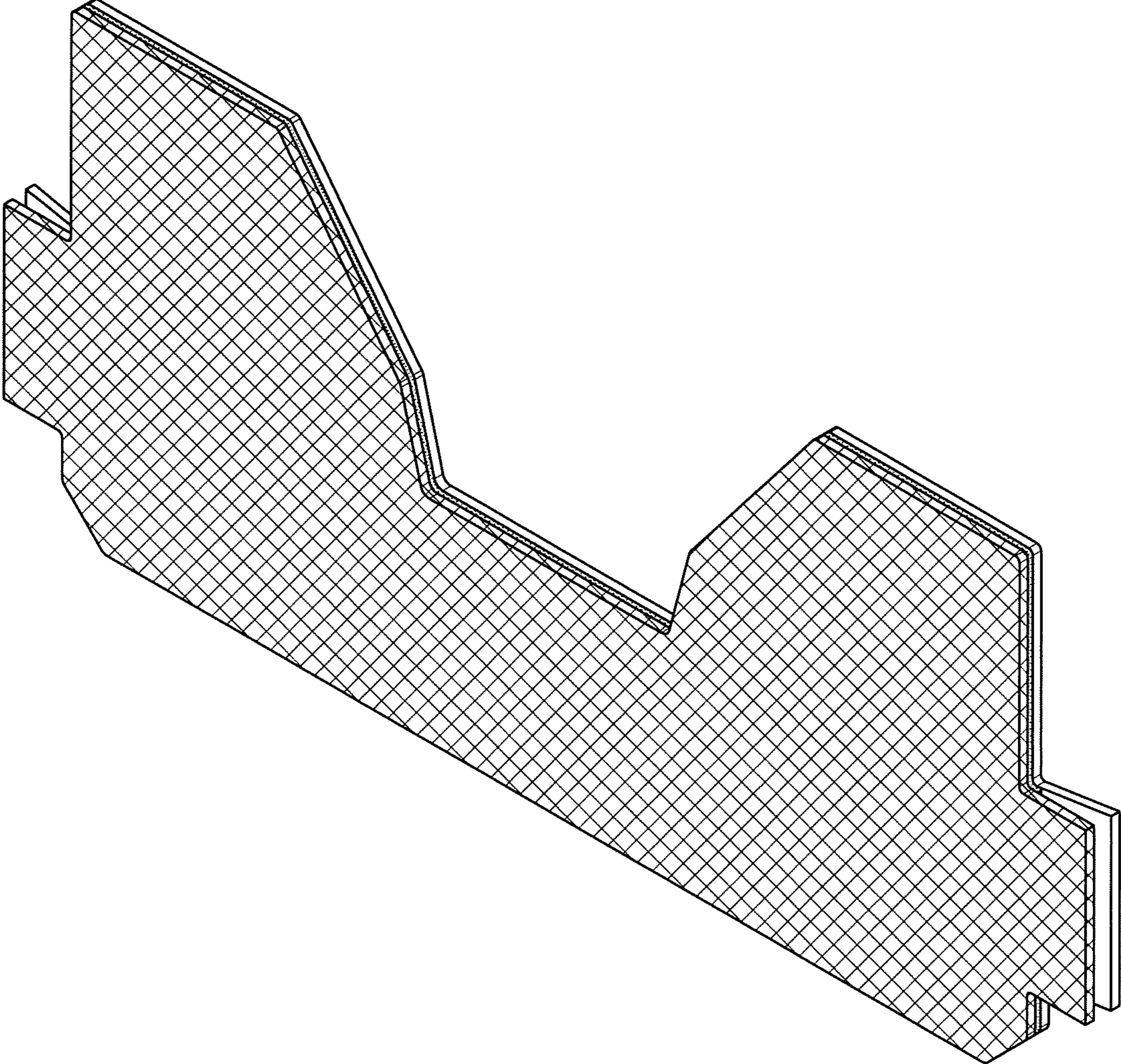


FIG. 1

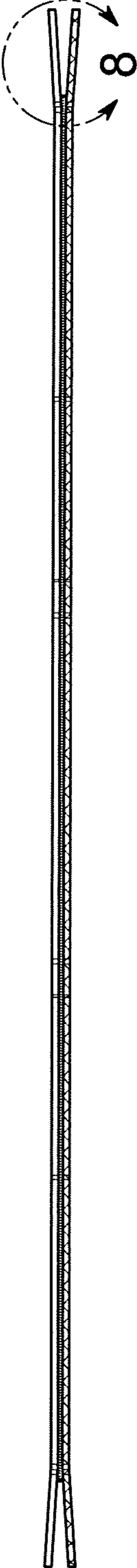


FIG. 2

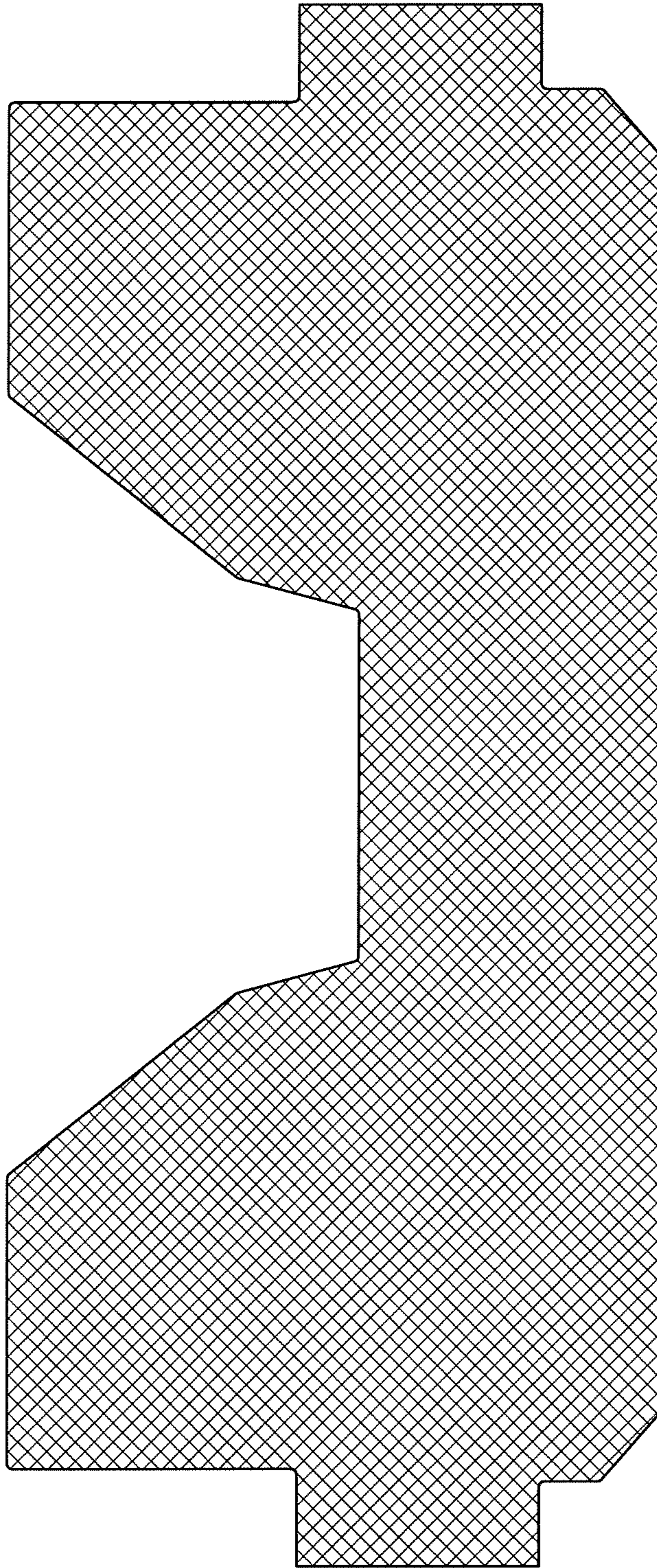


FIG. 3

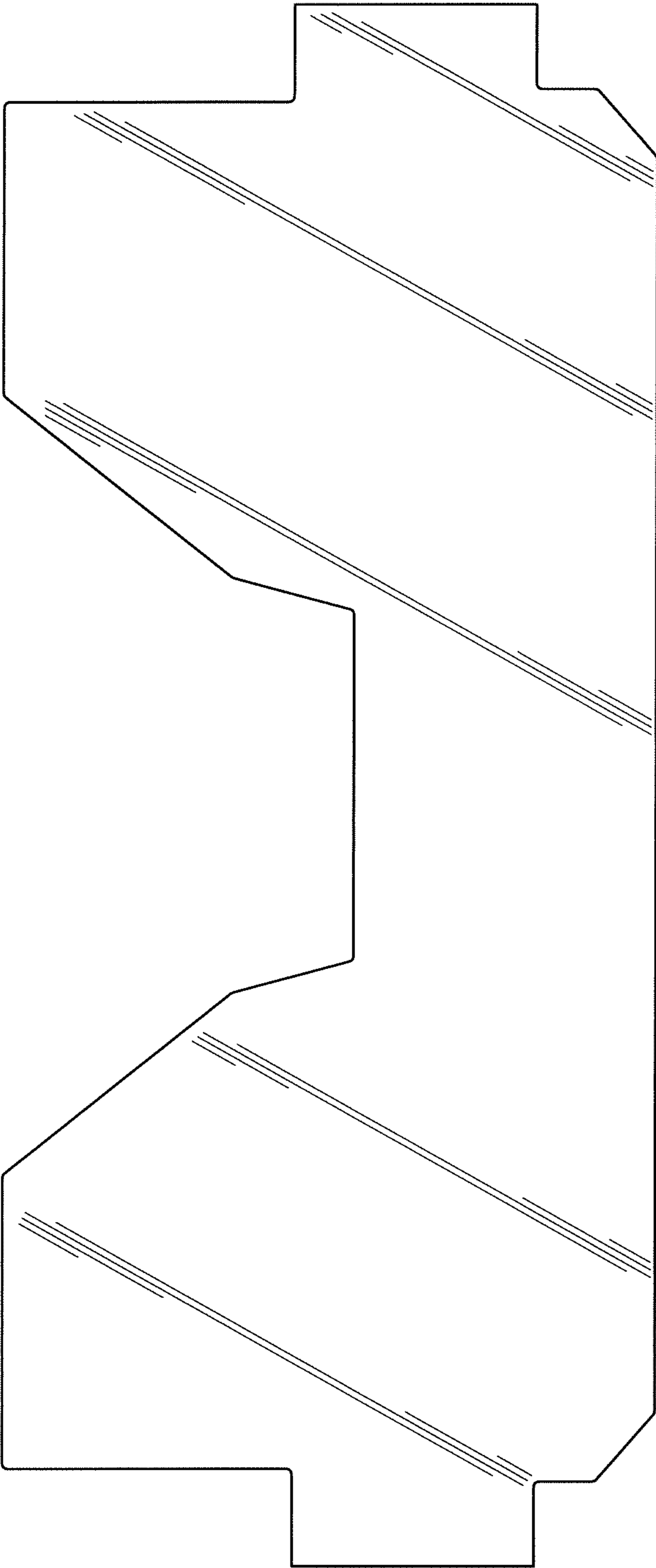


FIG. 4



FIG. 5



FIG. 6



FIG. 7

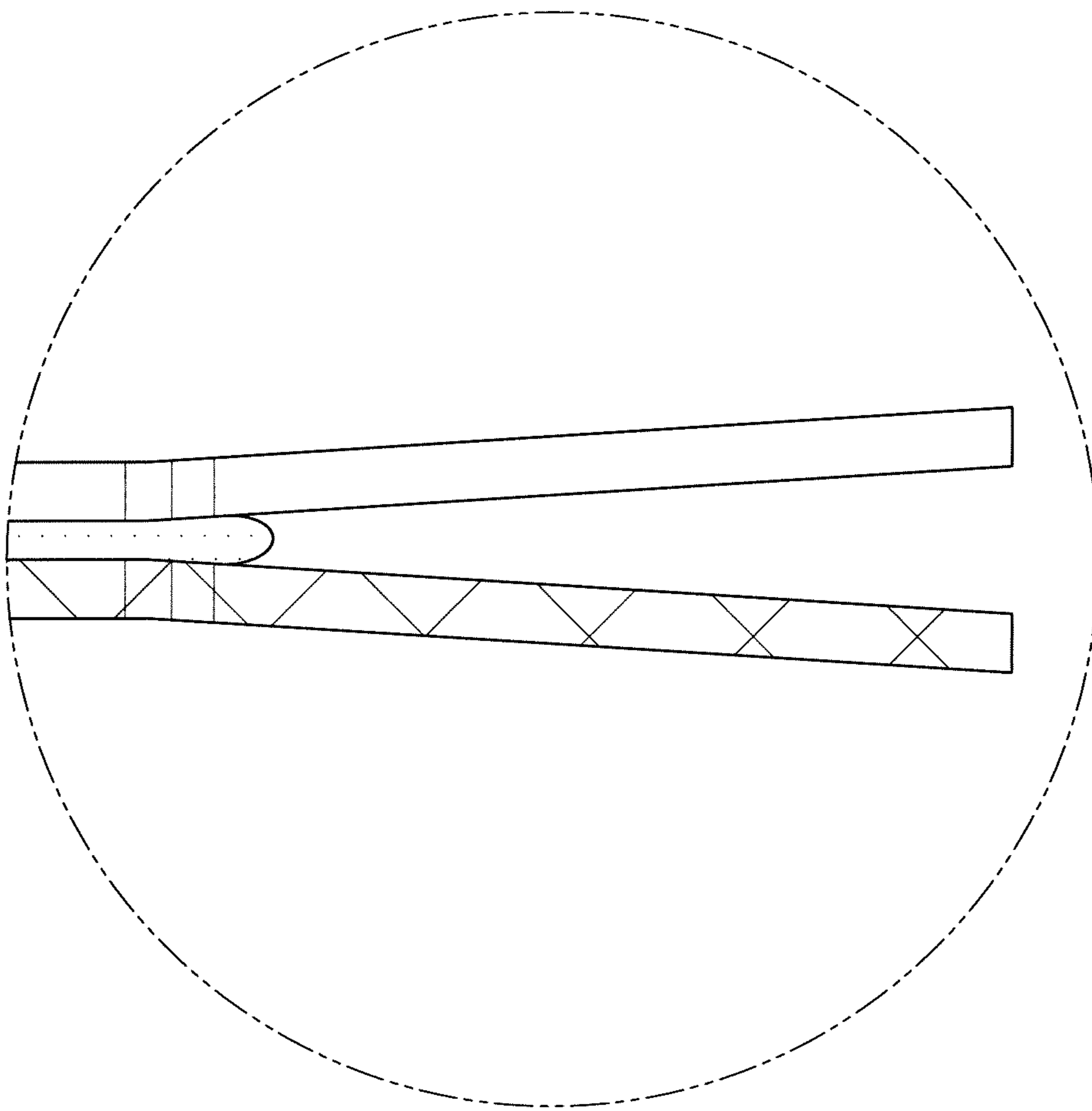


FIG. 8