



US00D931466S

(12) **United States Design Patent** (10) **Patent No.:** **US D931,466 S**  
**Brebant-Albiser** (45) **Date of Patent:** **\*\* Sep. 21, 2021**

(54) **DIAGNOSTIC APPARATUS**  
(71) Applicant: **E-XTEQ EUROPE**,  
Saint-Germain-de-la-Grange (FR)  
(72) Inventor: **Morgan Brebant-Albiser**, Gambais  
(FR)  
(73) Assignee: **E-XTEQ EUROPE**  
(\*\*) Term: **15 Years**  
(21) Appl. No.: **29/654,223**  
(22) Filed: **Jun. 21, 2018**  
(30) **Foreign Application Priority Data**

Dec. 21, 2017 (EM) ..... 004560076-0001  
Dec. 21, 2017 (EM) ..... 004560076-0002  
(51) **LOC (13) Cl.** ..... **24-02**  
(52) **U.S. Cl.**  
USPC ..... **D24/185**  
(58) **Field of Classification Search**  
USPC ..... D24/185, 160, 186, 158, 108, 177, 107;  
D21/529  
CPC ..... A61B 8/4405; A61B 8/00; B26B 3/10  
See application file for complete search history.

(56) **References Cited**  
U.S. PATENT DOCUMENTS

D367,534 S \* 2/1996 DiPerna ..... D24/108  
D438,952 S \* 3/2001 Cimino ..... D24/107  
6,629,927 B1 \* 10/2003 Mesaros ..... A61B 8/00  
600/437  
D555,792 S \* 11/2007 Haymann ..... D24/177  
D559,922 S \* 1/2008 Kim ..... D21/529  
D652,936 S \* 1/2012 Ross ..... D24/185  
D657,469 S \* 4/2012 Vilas ..... D24/185

D707,359 S \* 6/2014 Kim ..... D24/185  
D707,360 S \* 6/2014 Kim ..... D24/185  
8,844,951 B2 \* 9/2014 De Jong ..... B62B 3/10  
280/47.34  
D726,923 S \* 4/2015 Baba ..... D24/158  
D727,504 S \* 4/2015 Ninomiya ..... D24/158  
D730,524 S \* 5/2015 Kim ..... D24/158  
9,055,910 B2 \* 6/2015 Nakajima ..... A61B 8/4405  
D735,342 S \* 7/2015 Asad ..... D24/185  
D804,673 S \* 12/2017 Shin ..... D24/186  
D843,585 S \* 3/2019 Wu ..... D24/186  
D869,661 S \* 12/2019 Hong ..... D24/186  
D870,895 S \* 12/2019 Asad ..... D24/186  
D871,588 S \* 12/2019 Schultz ..... D24/185  
D872,863 S \* 1/2020 Henderson ..... D24/160  
D875,253 S \* 2/2020 Moon ..... D24/160  
D877,342 S \* 3/2020 Canady ..... D24/185  
D877,343 S \* 3/2020 Canady ..... D24/185

\* cited by examiner

*Primary Examiner* — Rhea Shields  
(74) *Attorney, Agent, or Firm* — Hahn Loeser & Parks  
LLP

(57) **CLAIM**

The ornamental design for a diagnostic apparatus, as shown and described.

**DESCRIPTION**

FIG. 1 is a front perspective view of a an embodiment of a diagnostic apparatus showing the new design; FIG. 2 is a top view of the embodiment of FIG. 1; FIG. 3 is a front view of the embodiment of FIG. 1; FIG. 4 is a right side view of the embodiment of FIG. 1; FIG. 5 is a left side view of the embodiment of FIG. 1; FIG. 6 is a rear view of the embodiment of FIG. 1; and, FIG. 7 is a bottom view of the embodiment of FIG. 1. The broken lines in the drawings depict portions of the diagnostic apparatus that form no part of the claimed design.

**1 Claim, 7 Drawing Sheets**

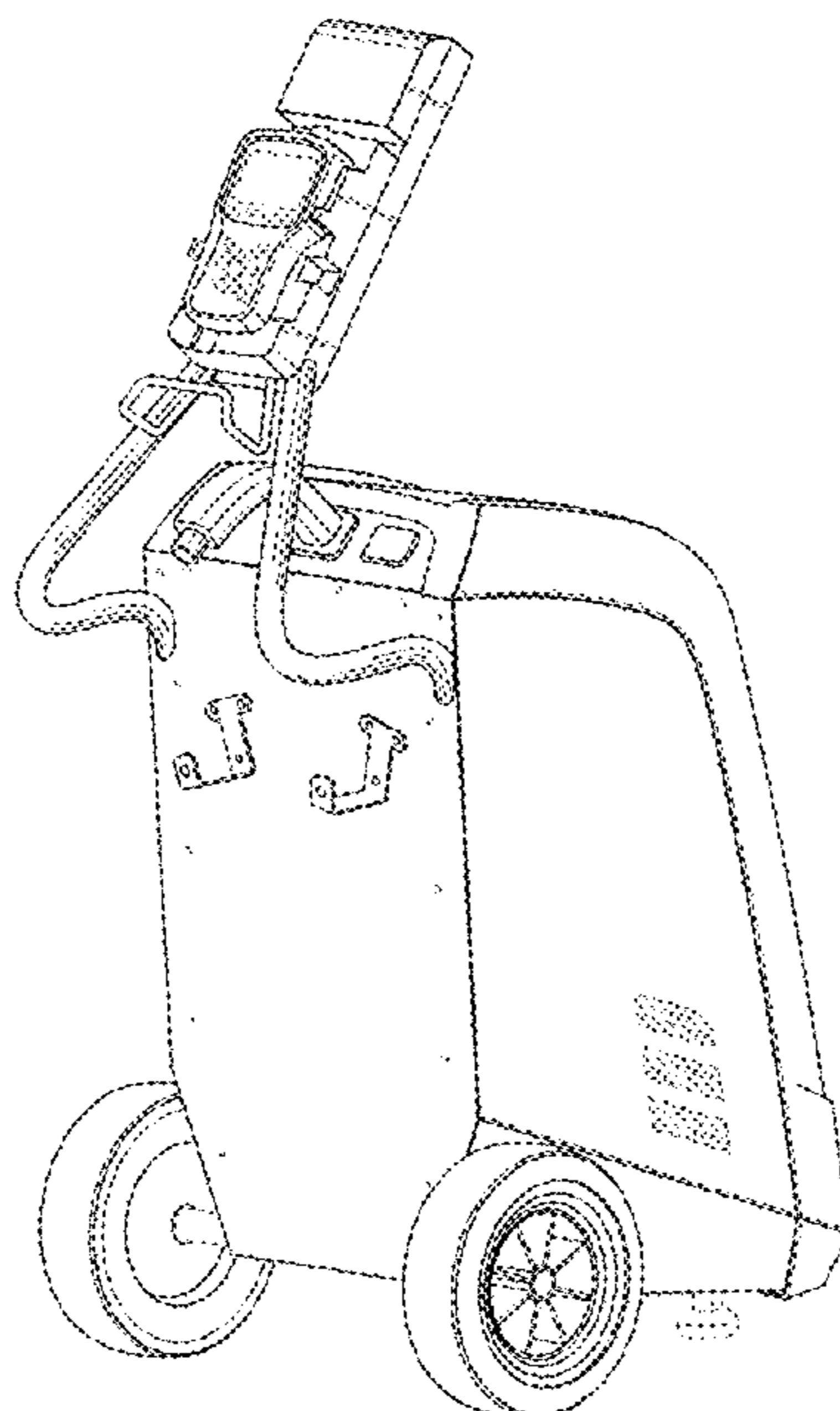


Fig. 1

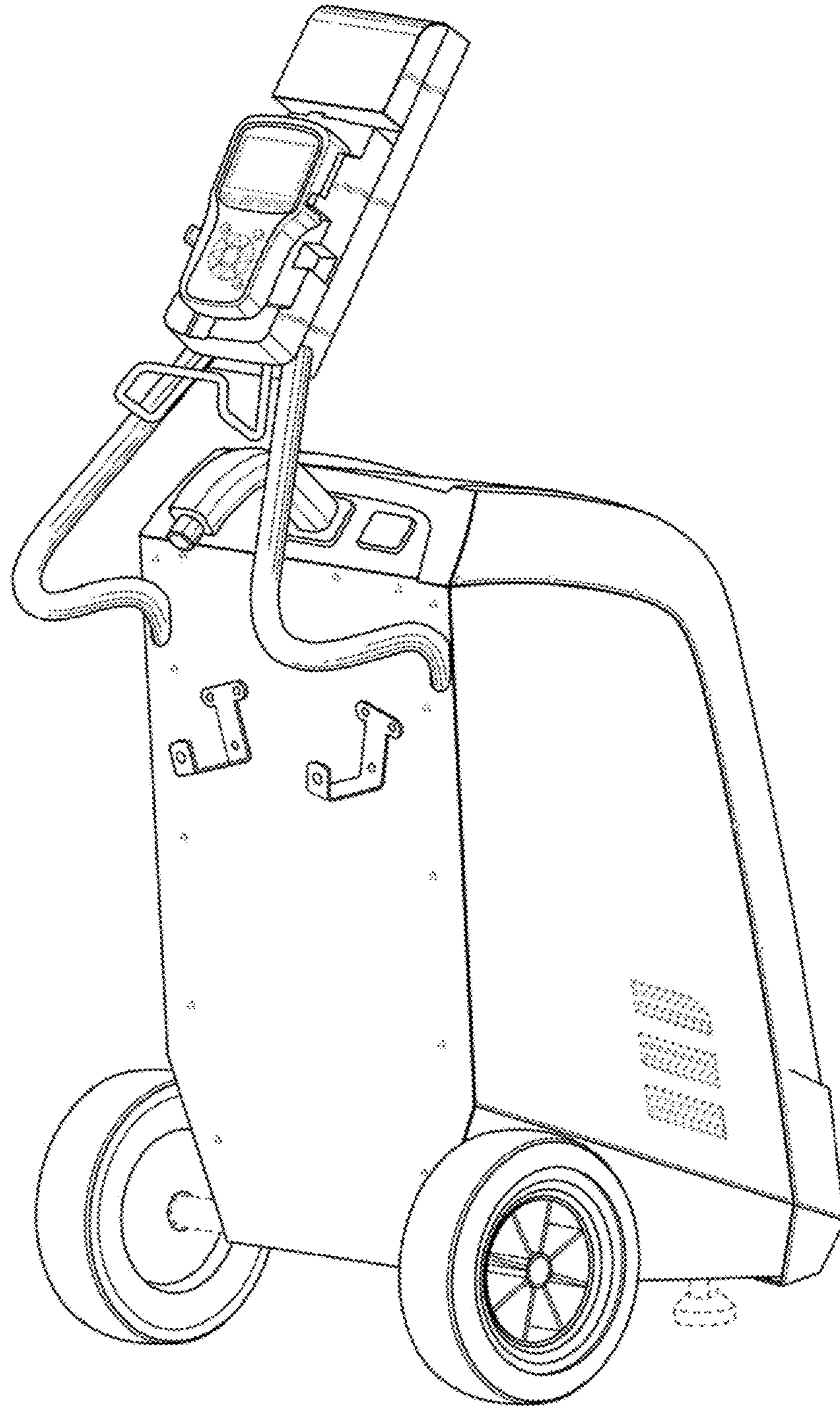


Fig. 2

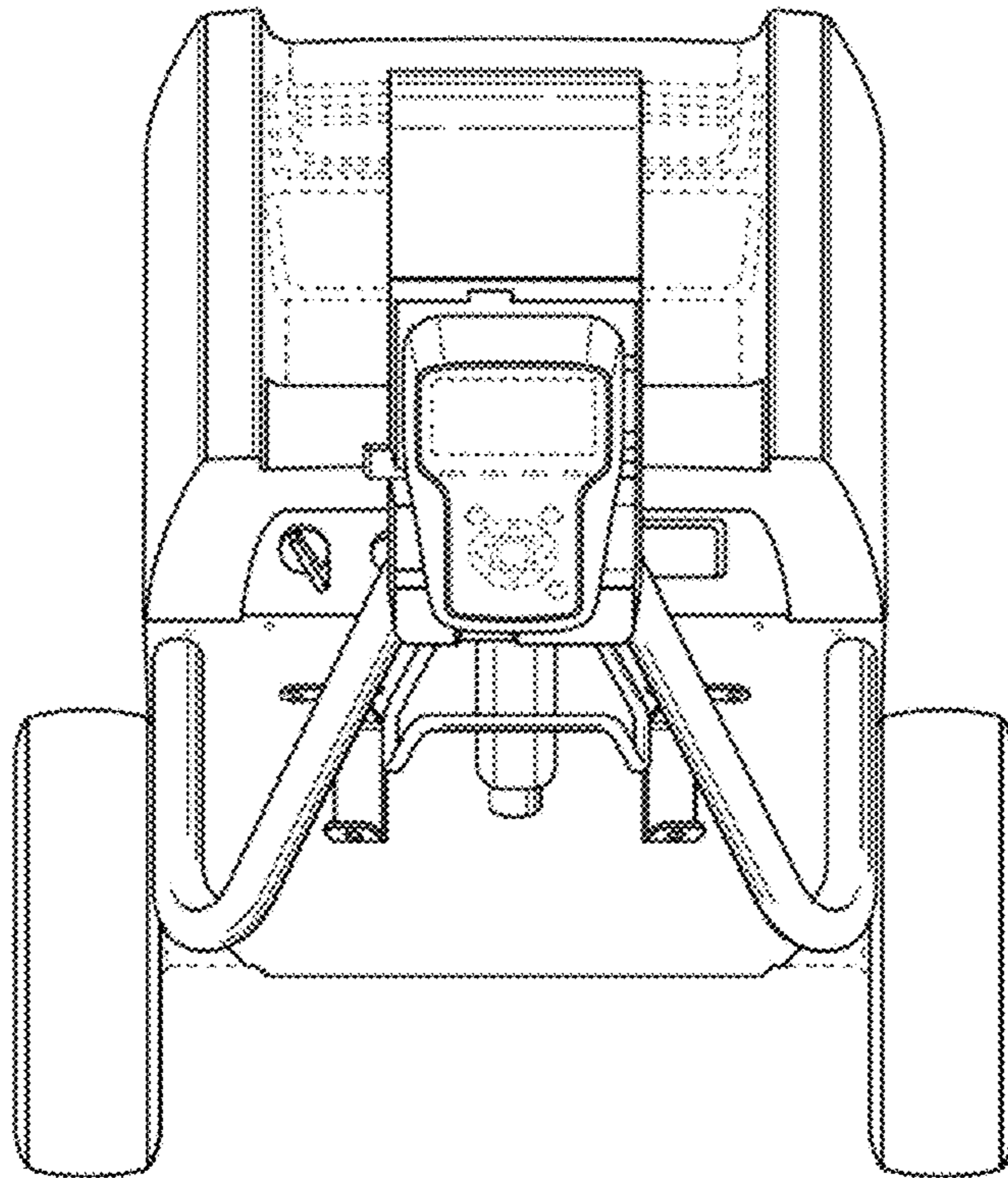


Fig. 3

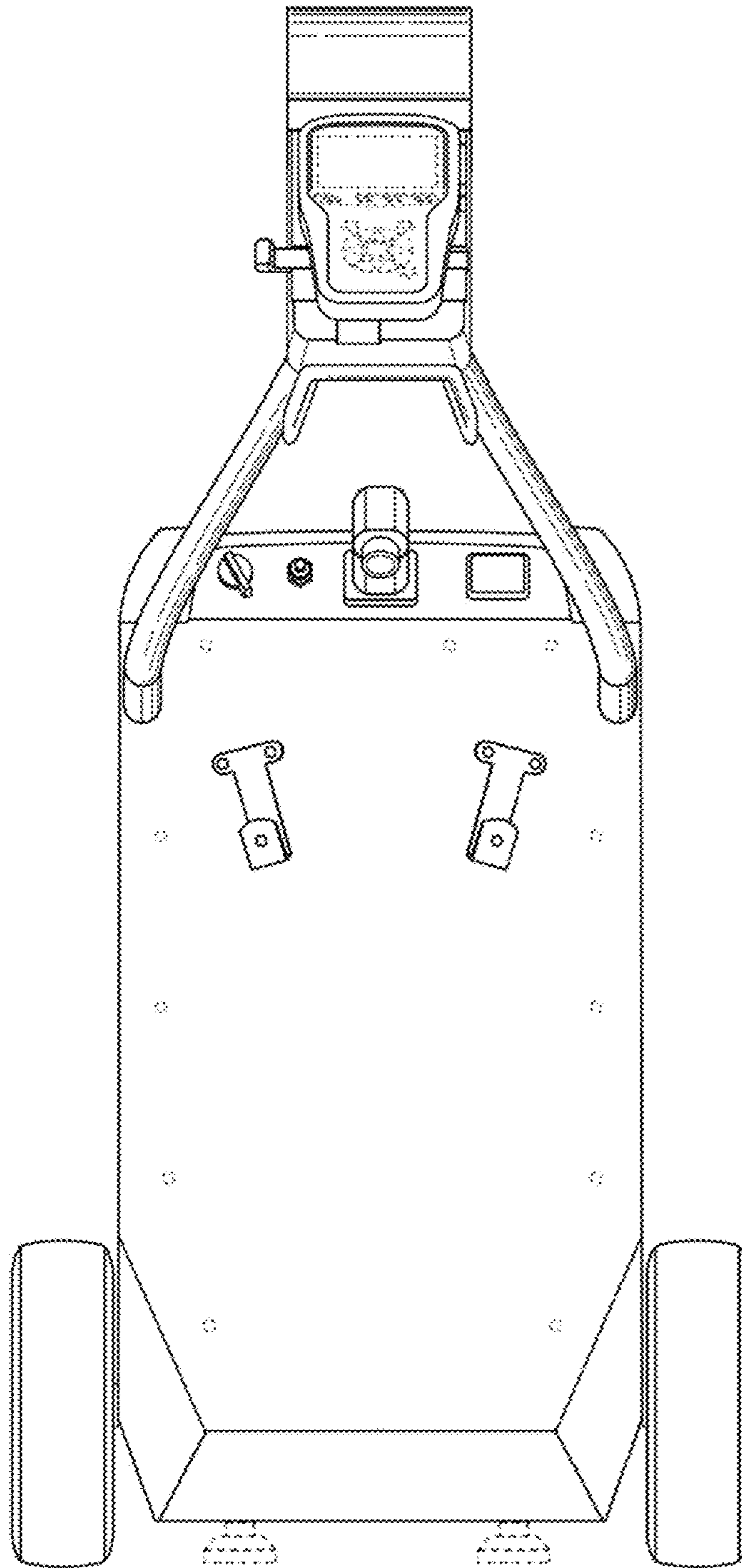


Fig. 4

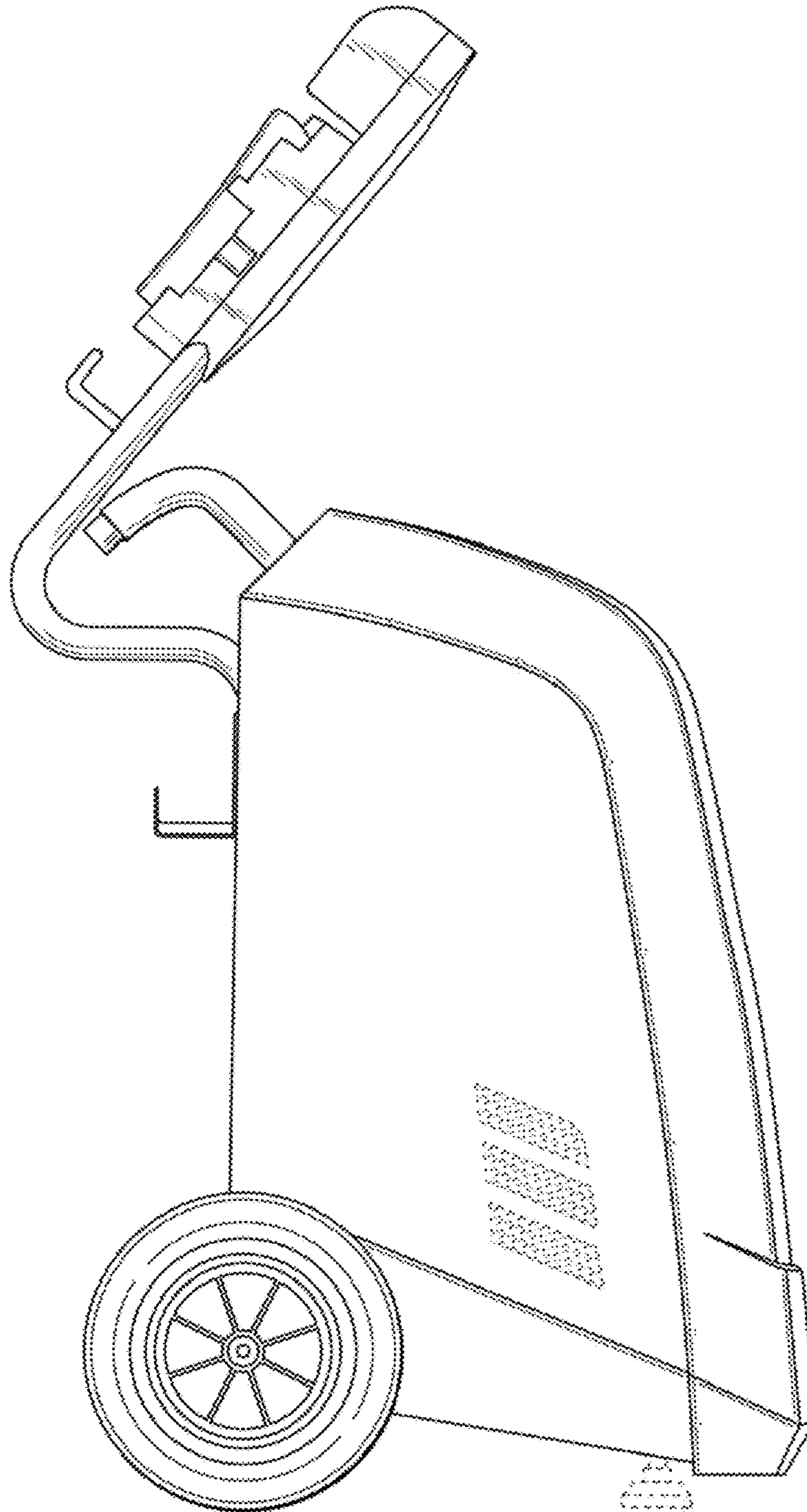


Fig. 5

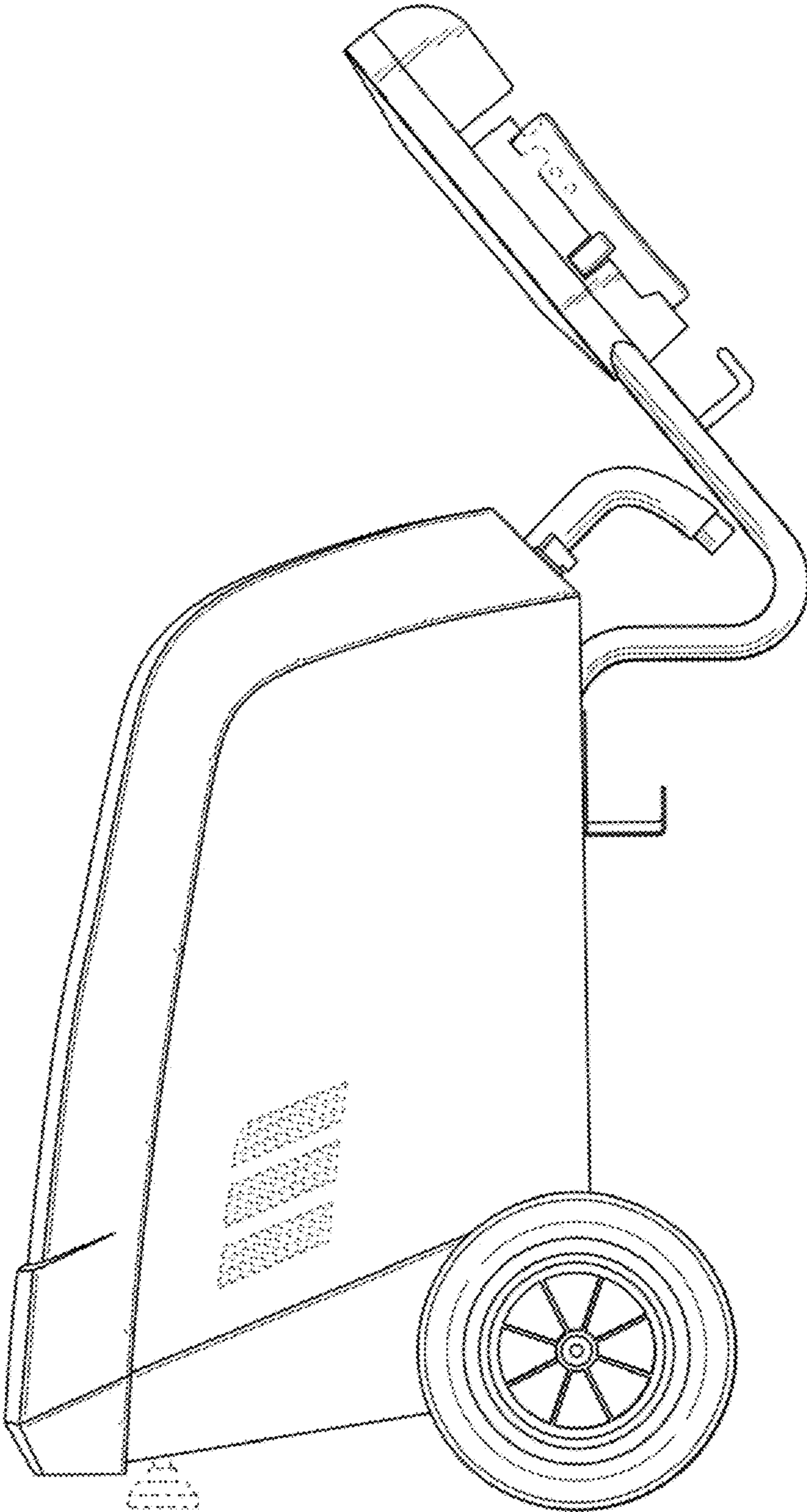


Fig. 6

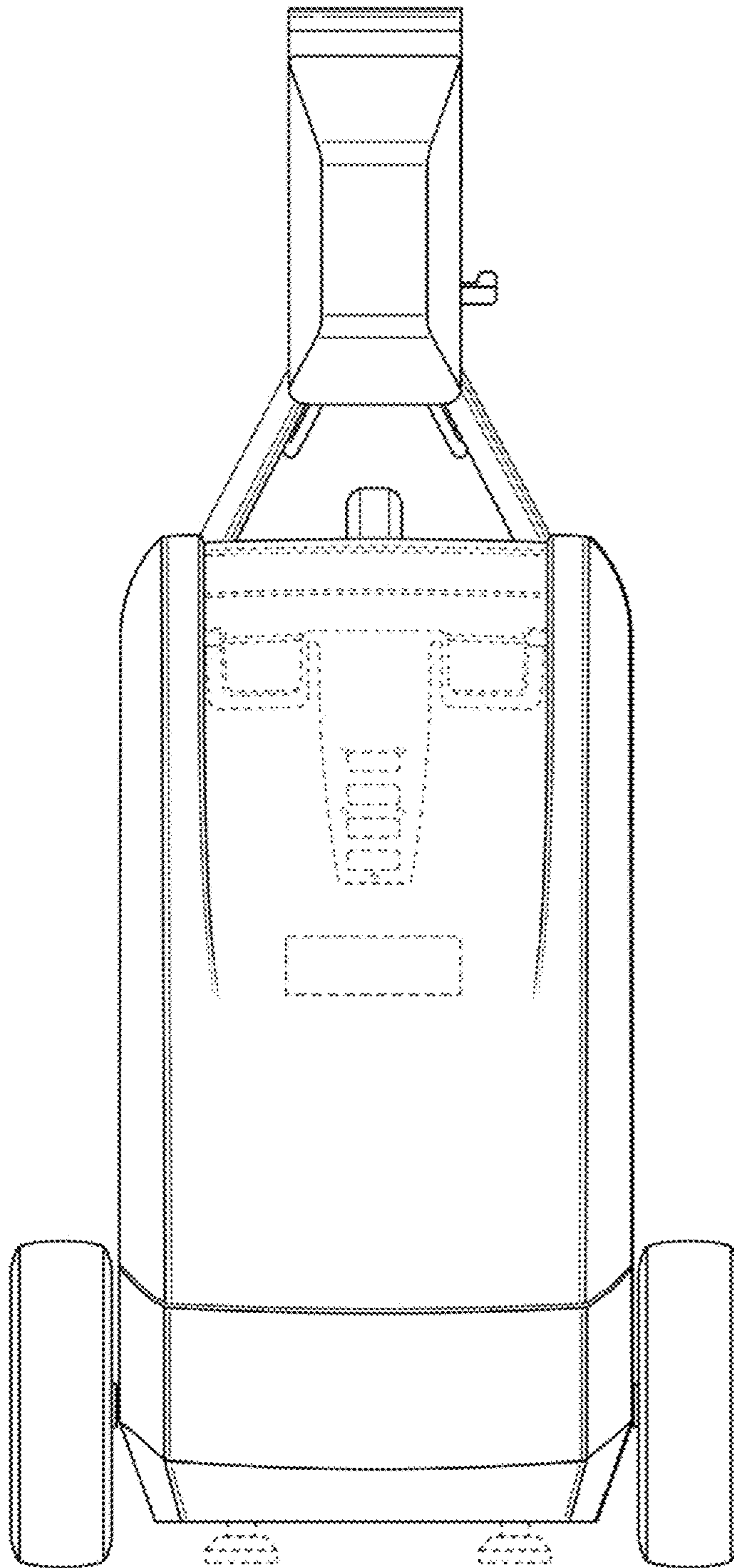


Fig. 7

