

US00D931464S

(12) **United States Design Patent**  
**Berkely**

(10) **Patent No.:** **US D931,464 S**

(45) **Date of Patent:** **\*\* Sep. 21, 2021**

(54) **DENTAL AIR/WATER SYRINGE TIP**

(71) Applicant: **Donovan Winston Berkely**, Irvine, CA  
(US)

(72) Inventor: **Donovan Winston Berkely**, Irvine, CA  
(US)

(\*\*) Term: **15 Years**

(21) Appl. No.: **29/723,600**

(22) Filed: **Feb. 7, 2020**

**Related U.S. Application Data**

(60) Continuation of application No. 29/664,276, filed on  
Sep. 24, 2018, now Pat. No. Des. 875,257, which is  
(Continued)

(51) **LOC (13) Cl.** ..... **24-02**

(52) **U.S. Cl.**  
USPC ..... **D24/176**

(58) **Field of Classification Search**  
USPC ..... D24/176-182, 152, 108, 112, 127, 130  
CPC . A61C 1/0061; A61C 1/0076; A61C 17/0202;  
A61C 17/0211; A61C 17/022; A61C  
17/0217

See application file for complete search history.

(56) **References Cited**

**U.S. PATENT DOCUMENTS**

1,858,056 A 5/1932 Pieper  
2,094,888 A 10/1937 Hooper  
(Continued)

**FOREIGN PATENT DOCUMENTS**

CA 2008676 8/1990  
EP 0358272 3/1990  
(Continued)

**OTHER PUBLICATIONS**

Luzzani Dental, Mini Mate, dated at least Feb. 25, 2016, in 1 page.

(Continued)

*Primary Examiner* — Wan Laymon

(74) *Attorney, Agent, or Firm* — Knobbe, Martens, Olson  
& Bear, LLP

(57) **CLAIM**

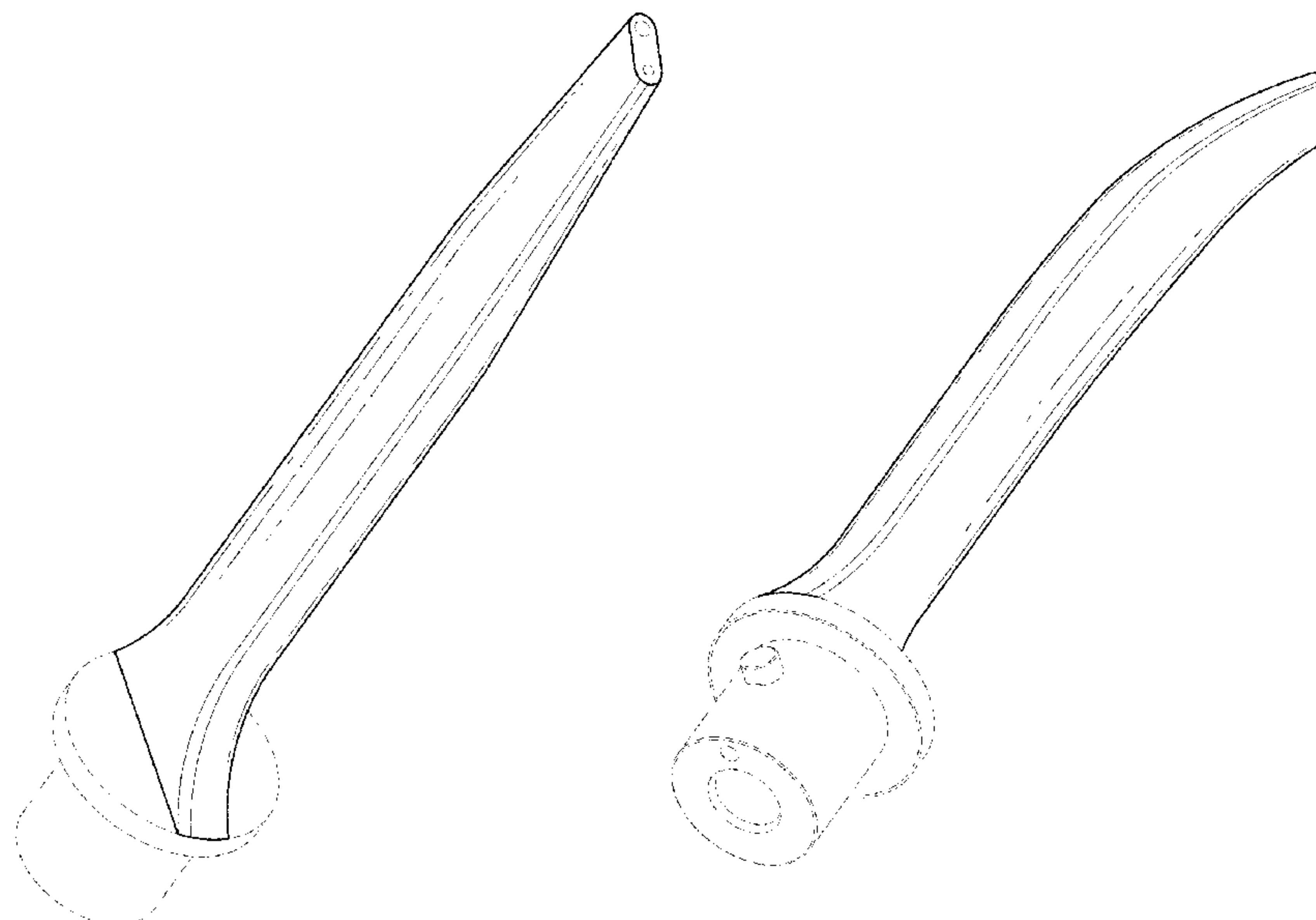
The ornamental design for a dental air/water syringe tip, as  
shown and described.

**DESCRIPTION**

FIG. 1 is a front, right perspective view of a dental air/water  
syringe tip showing a first embodiment;  
FIG. 2 is a rear, right perspective view thereof;  
FIG. 3 is another rear, right perspective view thereof;  
FIG. 4 is a right-side elevation view thereof;  
FIG. 5 is a left-side elevation view thereof;  
FIG. 6 is a front elevation view thereof;  
FIG. 7 is a rear elevation view thereof;  
FIG. 8 is a top plan view thereof;  
FIG. 9 is a bottom plan view thereof;  
FIG. 10 is a front, right perspective view of a dental  
air/water syringe tip showing a second embodiment;  
FIG. 11 is a rear, right perspective view thereof;  
FIG. 12 is another rear, right perspective view thereof;  
FIG. 13 is a right-side elevation view thereof;  
FIG. 14 is a left-side elevation view thereof;  
FIG. 15 is a front elevation view thereof;  
FIG. 16 is a rear elevation view thereof;  
FIG. 17 is a top plan view thereof; and,  
FIG. 18 is a bottom plan view thereof.

All features in phantom line are for the purpose of illustrat-  
ing environmental structure and form no part of the claimed  
subject matter. Color and texture may or may not form part  
of the claimed design or designs without departing from the  
design disclosed.

**1 Claim, 12 Drawing Sheets**



**Related U.S. Application Data**

a division of application No. 29/564,356, filed on  
May 12, 2016, now Pat. No. Des. 832,443.

(56)

**References Cited**

U.S. PATENT DOCUMENTS

3,121,426 A 2/1964 Yoshida  
3,254,646 A 6/1966 Martin et al.  
3,374,789 A 3/1968 Maurer  
3,375,823 A 4/1968 Pamplin  
3,424,156 A 1/1969 Smith  
3,698,088 A 10/1972 Austin, Jr.  
3,874,083 A 4/1975 Buckley  
4,026,025 A 5/1977 Hunt  
4,149,315 A 4/1979 Page  
4,169,613 A 10/1979 Barnett  
4,248,589 A 2/1981 Lewis  
4,249,899 A 2/1981 Davis  
4,515,564 A 5/1985 Lohn  
4,522,597 A 6/1985 Gallant  
4,569,662 A 2/1986 Dragan  
4,592,728 A 6/1986 Davis  
4,619,613 A 10/1986 Dragan  
4,768,954 A 9/1988 Dragan  
4,810,194 A 3/1989 Snedden  
4,907,744 A 3/1990 Jousson  
4,963,093 A 10/1990 Dragan  
4,975,058 A 12/1990 Woodward  
D315,956 S 4/1991 Dragan  
D316,600 S 4/1991 Austin, Jr. et al.  
5,045,055 A 9/1991 Gonser et al.  
5,049,071 A 9/1991 Davis et al.  
5,052,927 A 10/1991 Discko, Jr.  
5,067,899 A 11/1991 Paschal  
5,083,921 A 1/1992 Dragan  
5,100,319 A 3/1992 Baum  
5,125,835 A 6/1992 Young  
5,129,825 A 7/1992 Discko, Jr.  
5,192,206 A 3/1993 Davis et al.  
5,197,875 A 3/1993 Nerli  
5,204,004 A 4/1993 Johnston et al.  
5,230,624 A 7/1993 Wolf et al.  
5,234,338 A 8/1993 Young  
5,236,356 A 8/1993 Davis et al.  
5,242,300 A 9/1993 Esrock  
5,254,103 A 10/1993 Heuillon  
5,286,065 A 2/1994 Austin et al.  
5,306,146 A 4/1994 Davis et al.  
5,322,440 A 6/1994 Steele  
5,336,202 A 8/1994 Bailly et al.  
5,342,195 A 8/1994 Davis et al.  
D352,354 S 11/1994 Davis et al.  
D353,673 S 12/1994 Discko, Jr. et al.  
5,376,003 A 12/1994 Rizkalla  
5,378,149 A 1/1995 Stropko  
5,391,145 A 2/1995 Dorsey, III  
D359,119 S 6/1995 Dragan et al.  
5,460,619 A 10/1995 Esrock  
5,468,148 A 11/1995 Ricks  
5,489,205 A 2/1996 Davis et al.  
5,554,025 A 9/1996 Kinsel  
5,591,389 A 1/1997 Esrock  
5,616,028 A 4/1997 Hafele et al.  
5,658,144 A 8/1997 Tinder et al.  
5,772,433 A 6/1998 Esrock  
5,833,456 A 11/1998 Davis et al.  
5,848,893 A 12/1998 Martin et al.  
5,860,739 A 1/1999 Cannon  
5,868,563 A 2/1999 Davis et al.  
5,882,194 A 3/1999 Davis et al.  
5,882,197 A 3/1999 Davis et al.  
D409,305 S 5/1999 Martin et al.  
5,899,692 A 5/1999 Davis et al.  
5,908,296 A 6/1999 Kipke et al.  
5,927,975 A 7/1999 Esrock  
5,961,326 A 10/1999 Johnston et al.

6,048,200 A 4/2000 Martin et al.  
6,079,979 A 6/2000 Riitano  
6,093,020 A 7/2000 Pond et al.  
6,113,391 A 9/2000 Esrock  
6,149,429 A 11/2000 Bukowski et al.  
6,159,007 A 12/2000 Sorensen  
6,238,211 B1 5/2001 Esrock  
6,250,921 B1 6/2001 Esrock  
RE37,324 E 8/2001 Esrock  
6,283,750 B1 9/2001 Esrock  
6,293,792 B1 9/2001 Hanson  
6,319,001 B1 11/2001 Esrock  
6,322,361 B1 11/2001 Esrock  
6,382,970 B1 5/2002 Foster  
6,390,815 B1 5/2002 Pond  
6,419,485 B1 7/2002 Pond  
6,464,498 B1 10/2002 Pond  
6,500,000 B1 12/2002 Segal  
6,533,578 B2 3/2003 Segal  
6,824,385 B1 11/2004 Bain et al.  
7,025,755 B2 4/2006 Epstein  
7,431,587 B2 10/2008 Pond  
7,993,135 B2 8/2011 Nesbitt et al.  
8,529,256 B2\* 9/2013 Hirsch ..... A61C 17/0202  
433/91  
8,662,470 B2 3/2014 Klecker et al.  
8,926,502 B2 1/2015 Levy et al.  
9,101,266 B2 8/2015 Levi  
9,993,142 B2 6/2018 Salman et al.  
D832,443 S 10/2018 Berkely  
D832,444 S 10/2018 Berkely  
D841,817 S 2/2019 Berkely  
D842,480 S 3/2019 Berkely  
D875,257 S 2/2020 Berkely  
D875,258 S 2/2020 Berkely  
D894,401 S 8/2020 Berkely  
D895,807 S\* 9/2020 Berkely ..... D24/176  
2001/0041321 A1 11/2001 Segal  
2003/0013064 A1\* 1/2003 Zirkel ..... A61C 17/02  
433/81  
2004/0224281 A1 11/2004 Bain et al.  
2005/0010193 A1 1/2005 Laurent  
2005/0032017 A1 2/2005 Levy  
2005/0089816 A1 4/2005 Krisch  
2006/0024640 A1 2/2006 Pond et al.  
2006/0063976 A1 3/2006 Alzenfeld et al.  
2006/0234185 A1 10/2006 Ziemba  
2007/0106119 A1 5/2007 Hirata et al.  
2008/0002402 A1 1/2008 Mandikos  
2009/0202961 A1 8/2009 Fani et al.  
2009/0208899 A1 8/2009 Pond et al.  
2010/0273123 A1 10/2010 Mecher  
2010/0286659 A1 11/2010 Terrill et al.  
2010/0298640 A1 11/2010 Oneda et al.  
2011/0143304 A1 6/2011 Jamnia et al.  
2011/0275026 A1 11/2011 Smith  
2012/0253121 A1 10/2012 Kitano  
2013/0109916 A1 5/2013 Levy  
2013/0172670 A1 7/2013 Levy et al.  
2013/0260333 A1 10/2013 Berkely  
2013/0316299 A1 11/2013 Berkely  
2014/0329198 A1 11/2014 Esrock  
2015/0024335 A1 1/2015 Sabourin  
2015/0050613 A1 2/2015 Berkely  
2015/0182320 A1 7/2015 Berkely  
2015/0209124 A1 7/2015 Berkely  
2018/0214245 A1 8/2018 Medin  
2019/0105140 A1 4/2019 Berkely

FOREIGN PATENT DOCUMENTS

FR 2 639 534 A1 6/1990  
WO WO 00/35370 6/2000  
WO WO 2000/33762 6/2000

(56)

**References Cited**

FOREIGN PATENT DOCUMENTS

WO	WO 2013/151961	10/2013
WO	WO 2015/023799	2/2015

OTHER PUBLICATIONS

Luzzani Dental, Mini Light, dated at least Feb. 25, 2016, in 1 page.

\* cited by examiner



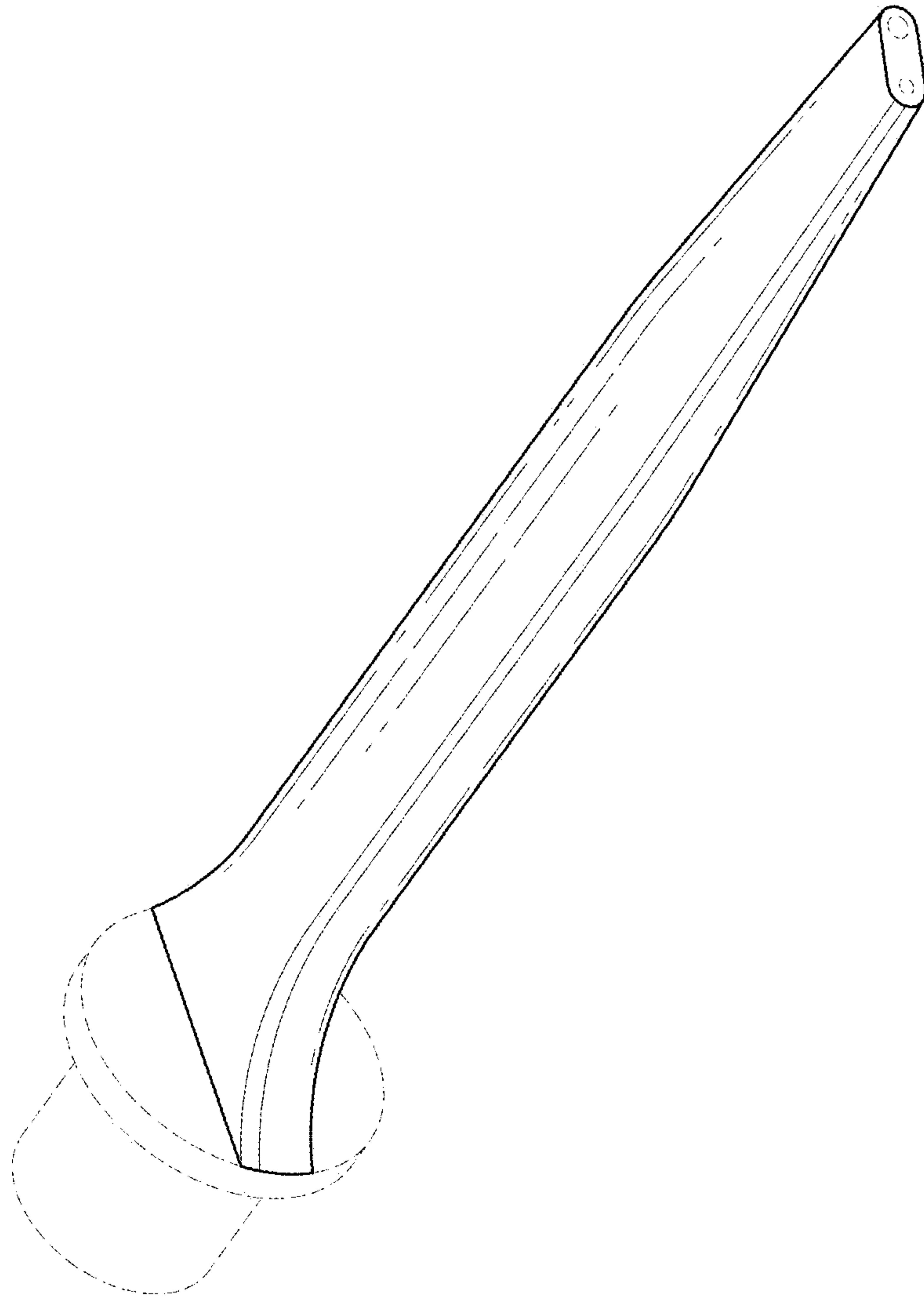


FIG. 1

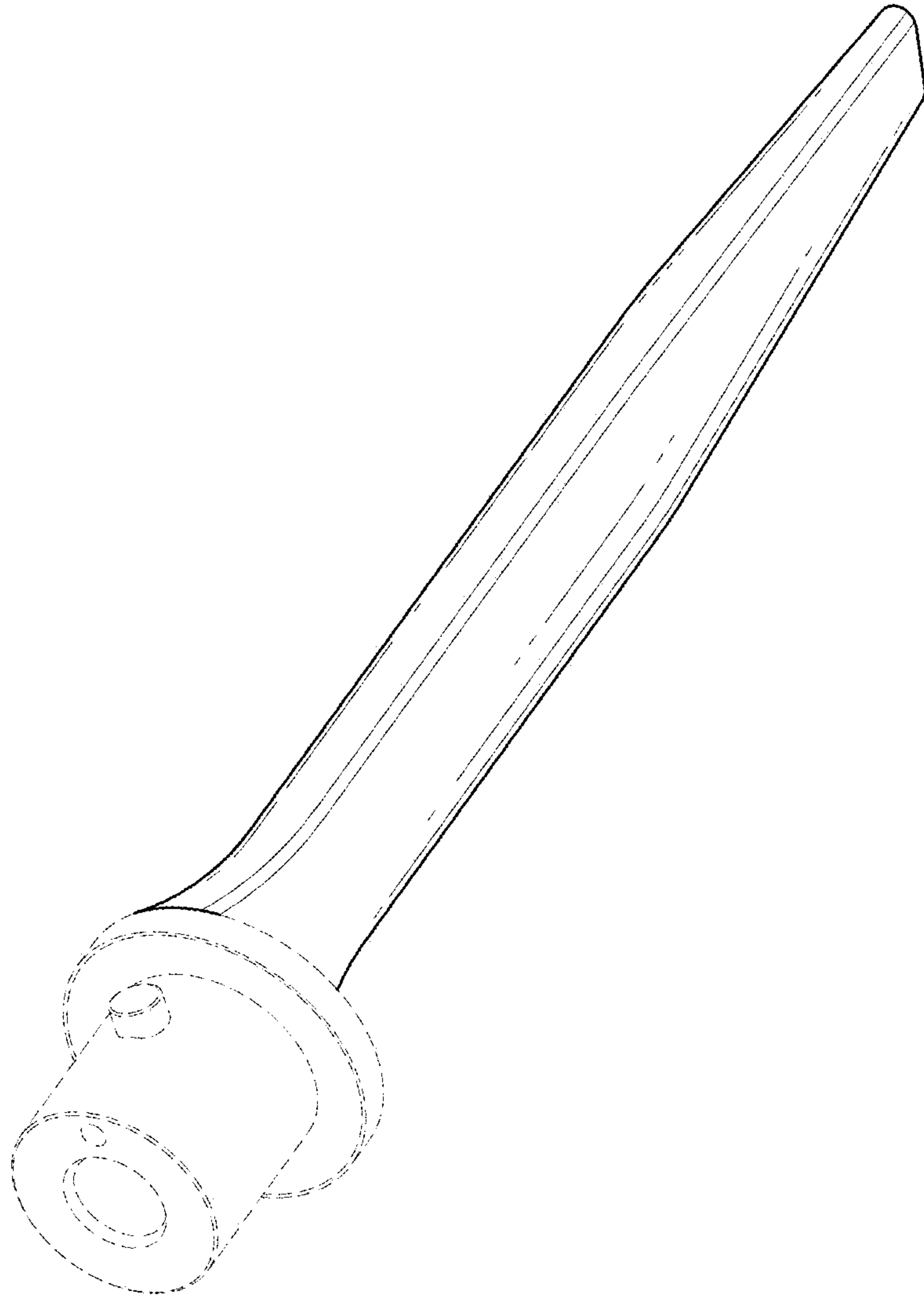


FIG. 2

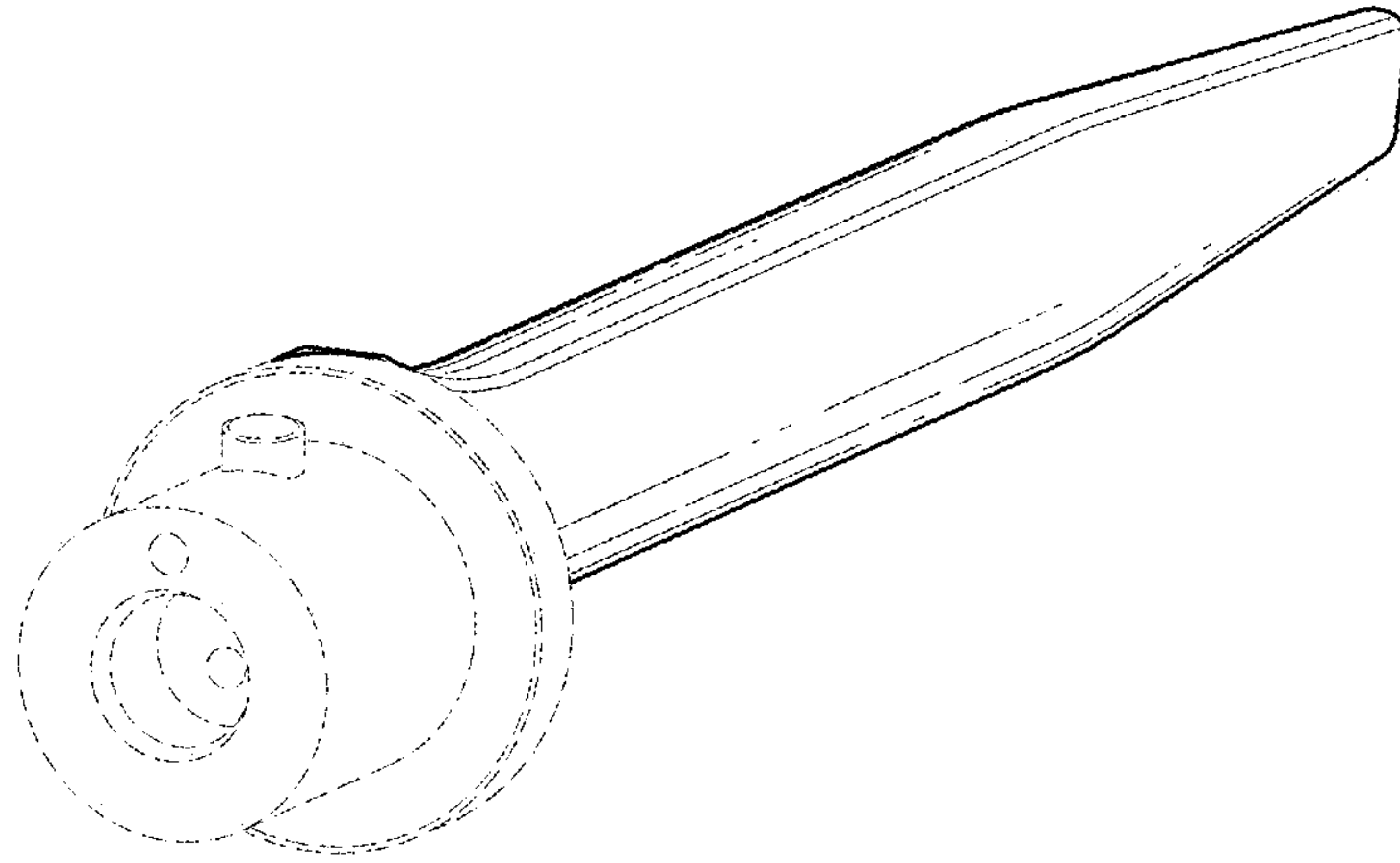


FIG. 3

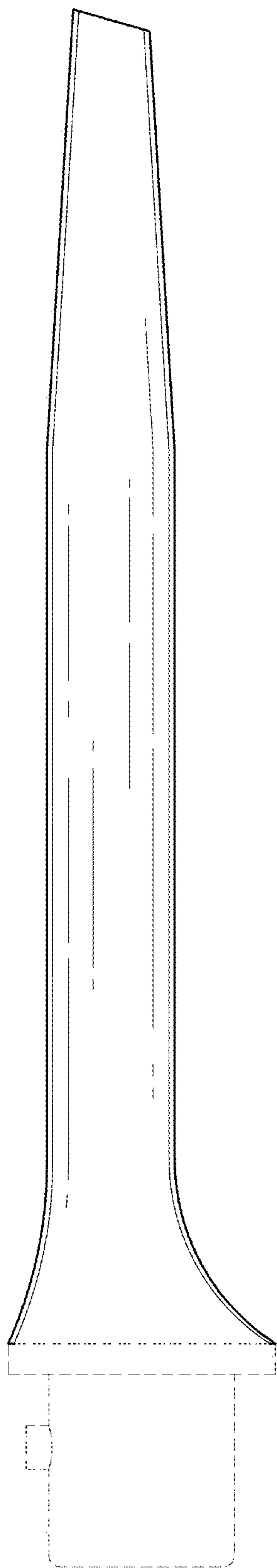


FIG. 4

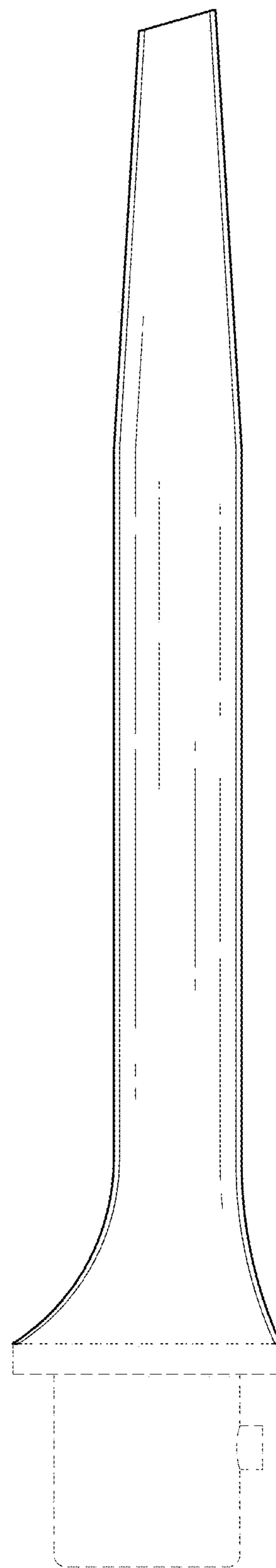


FIG. 5

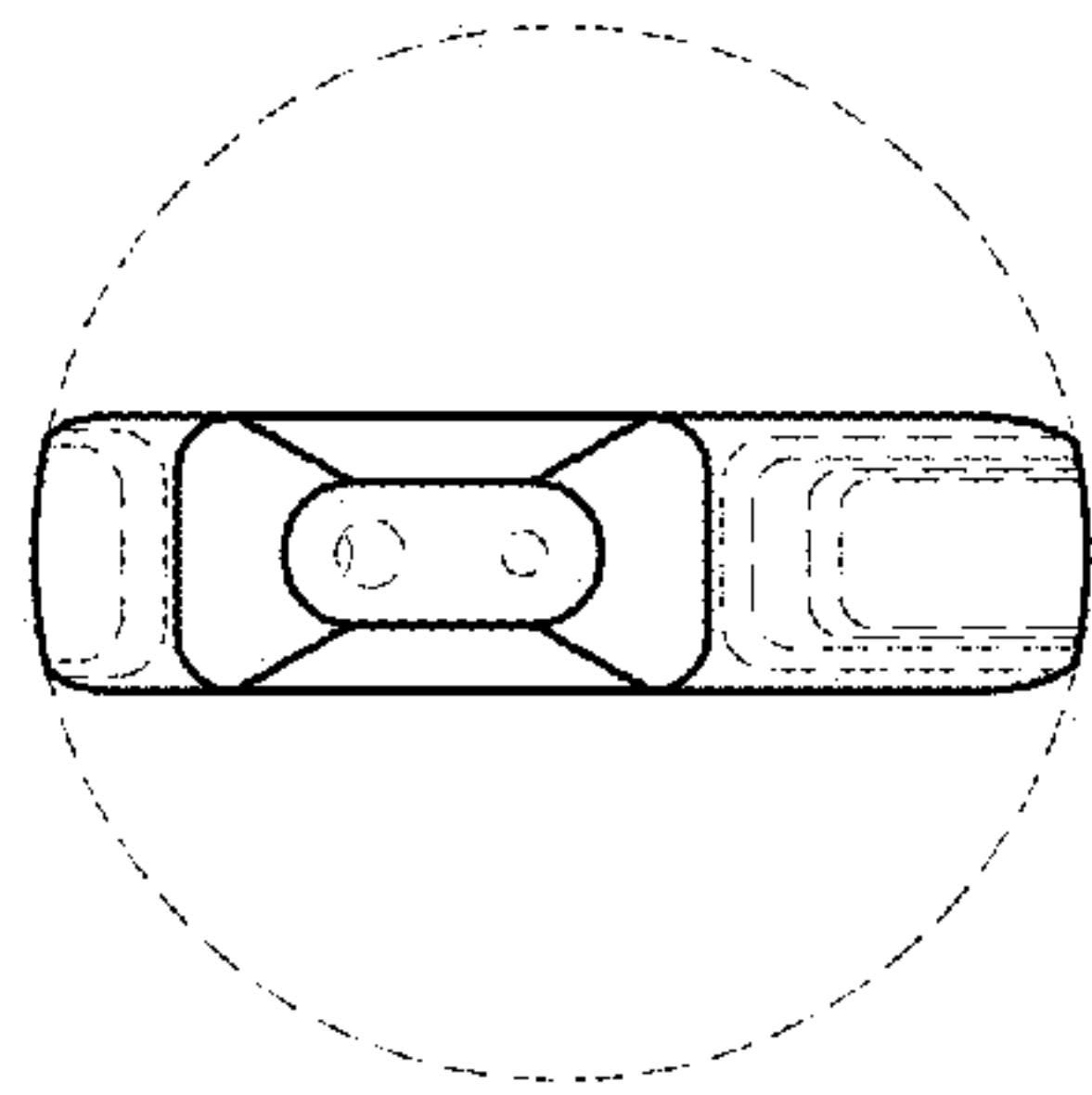


FIG. 6

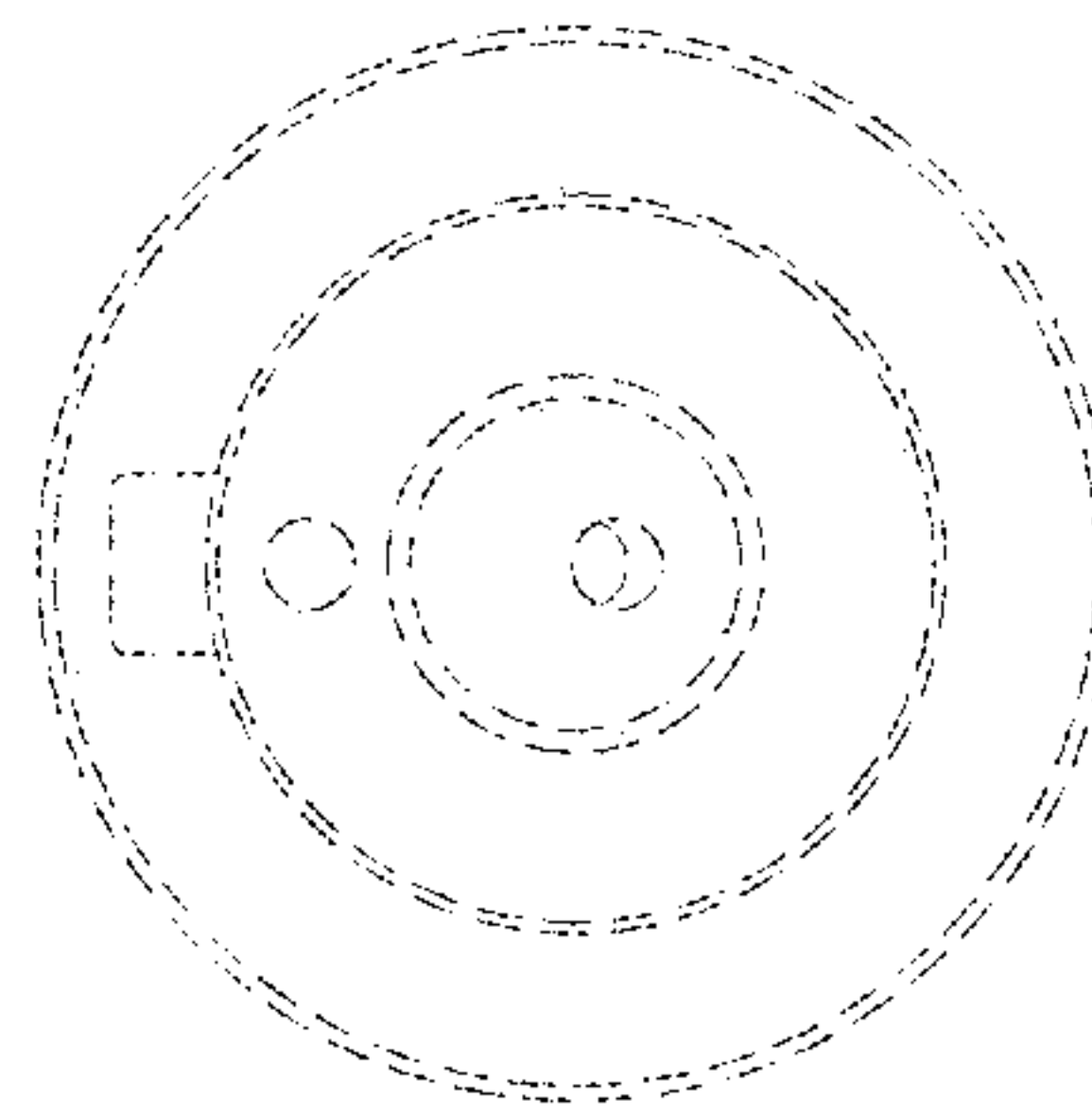


FIG. 7



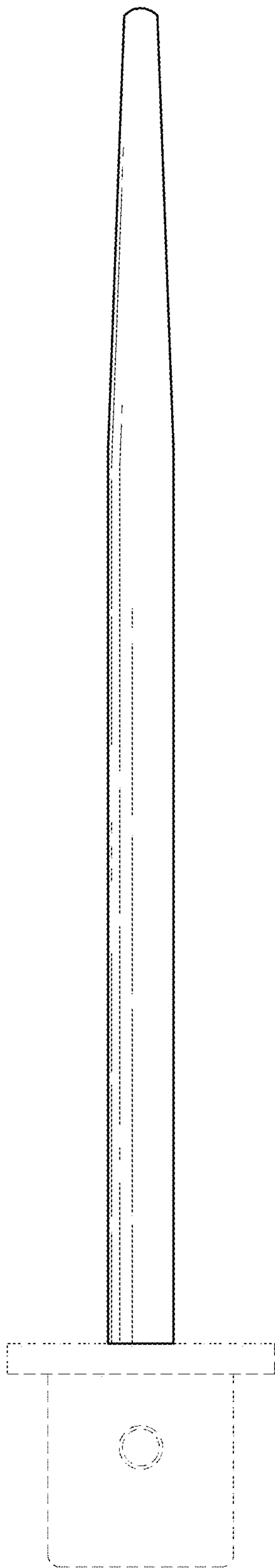


FIG. 8

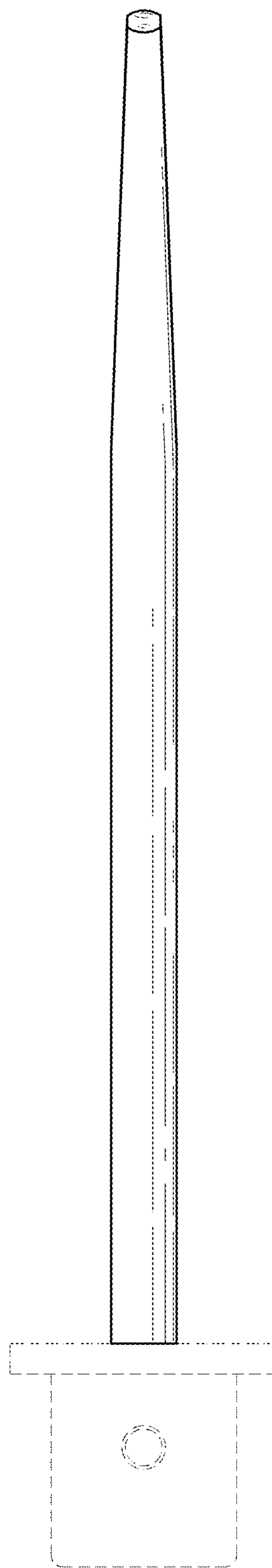


FIG. 9

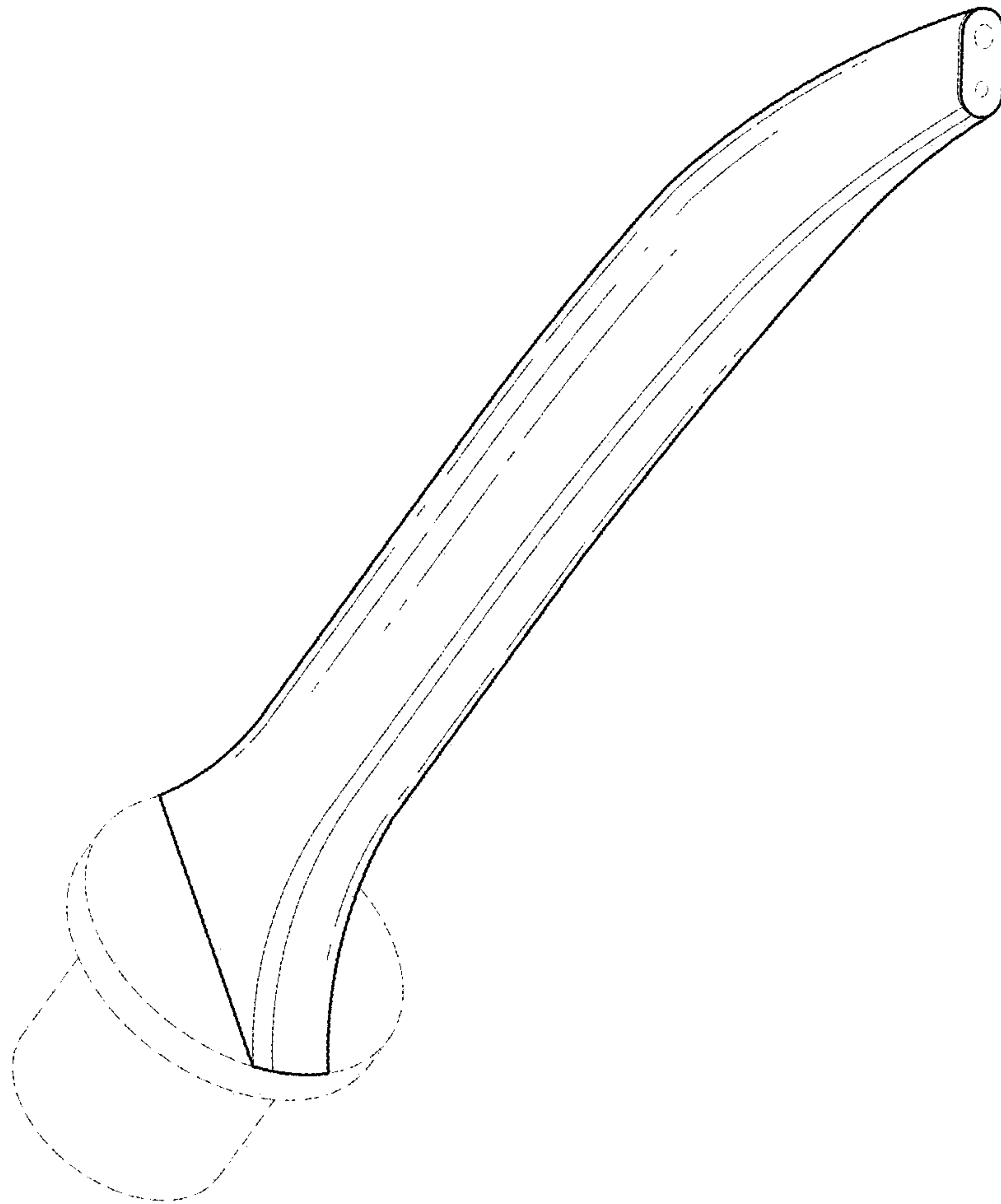


FIG. 10

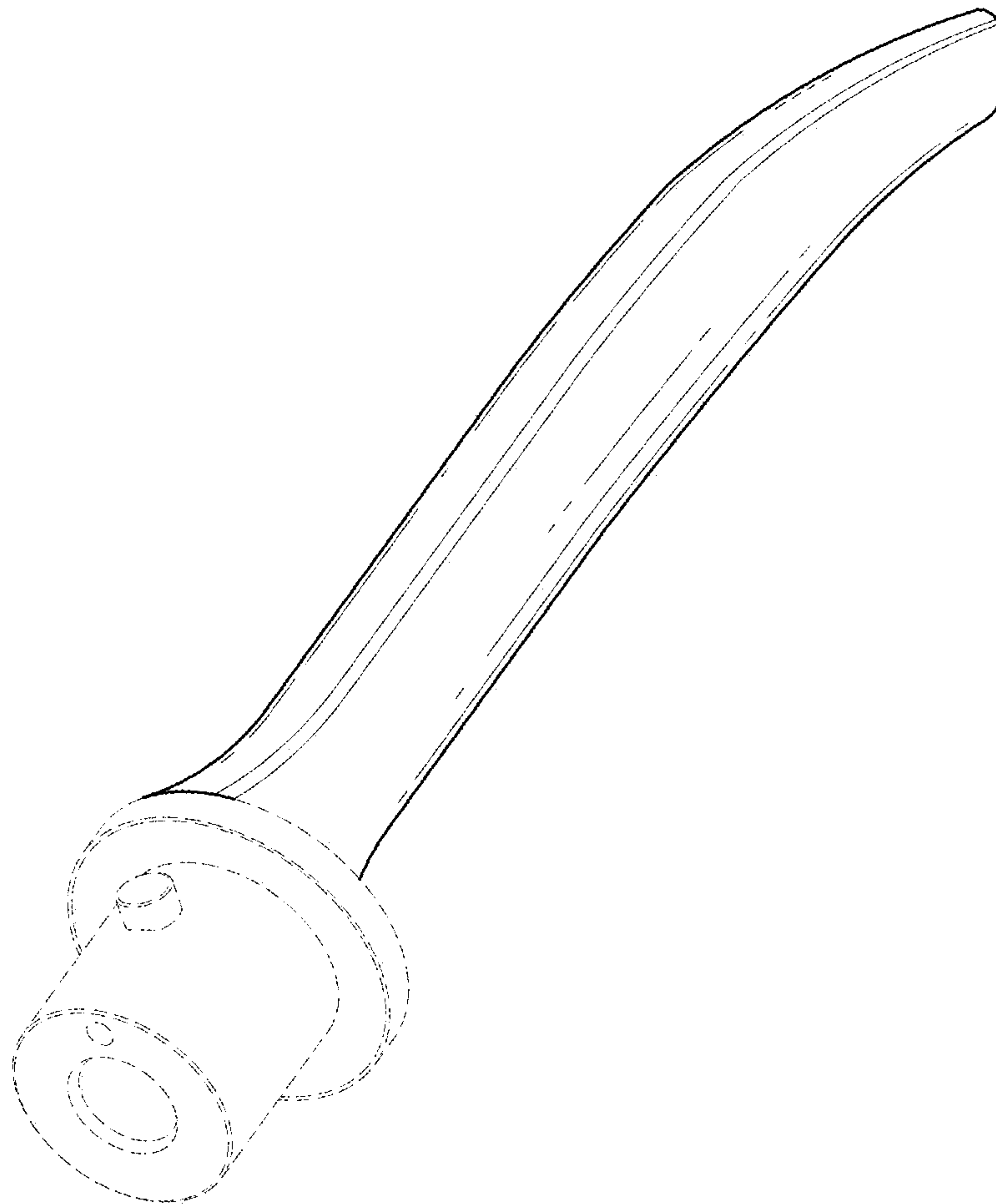


FIG. 11

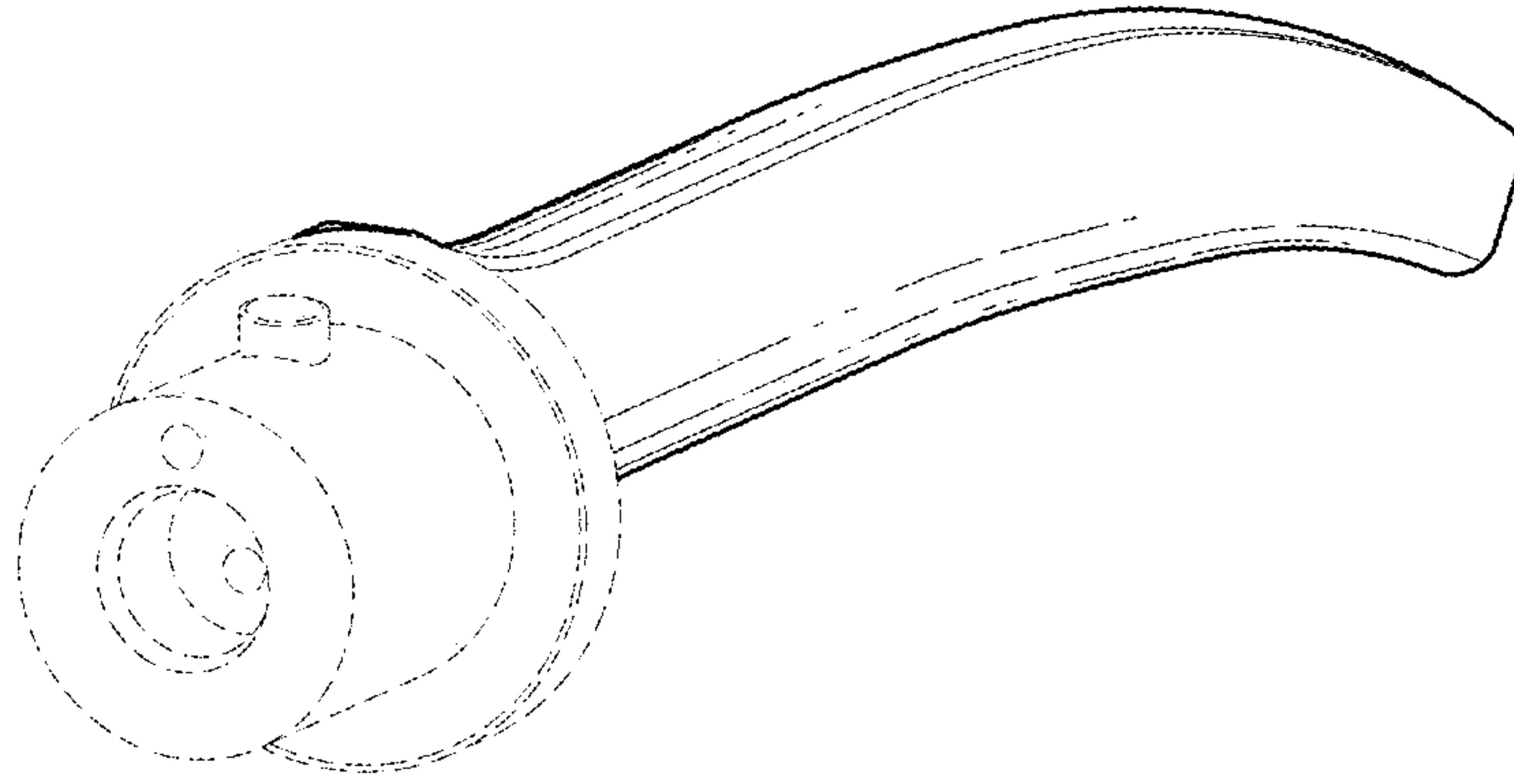


FIG. 12

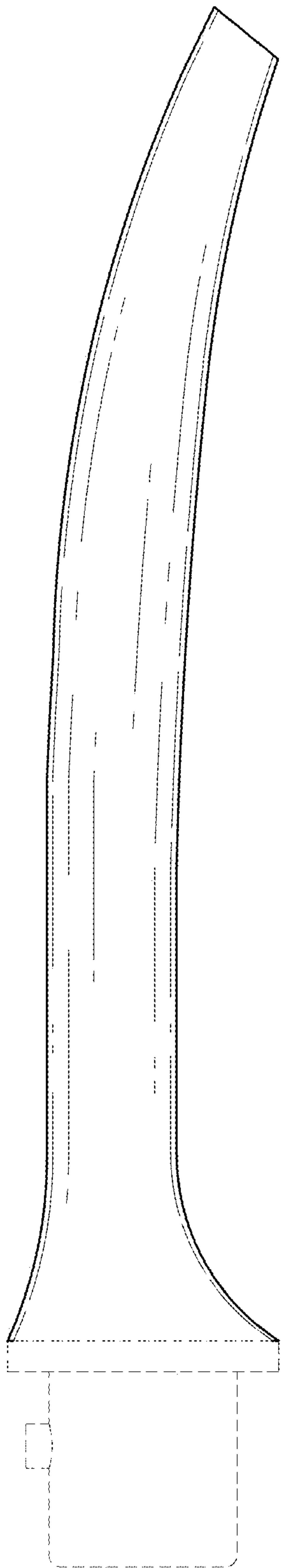


FIG. 13

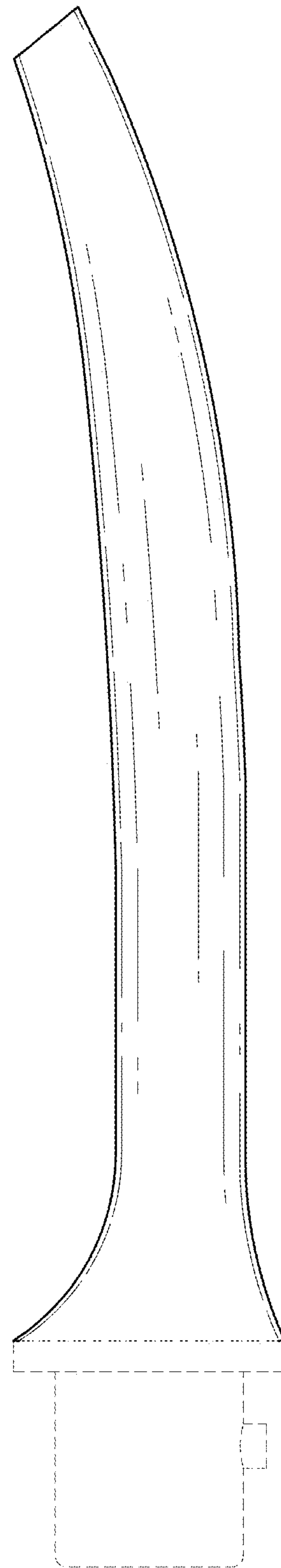


FIG. 14



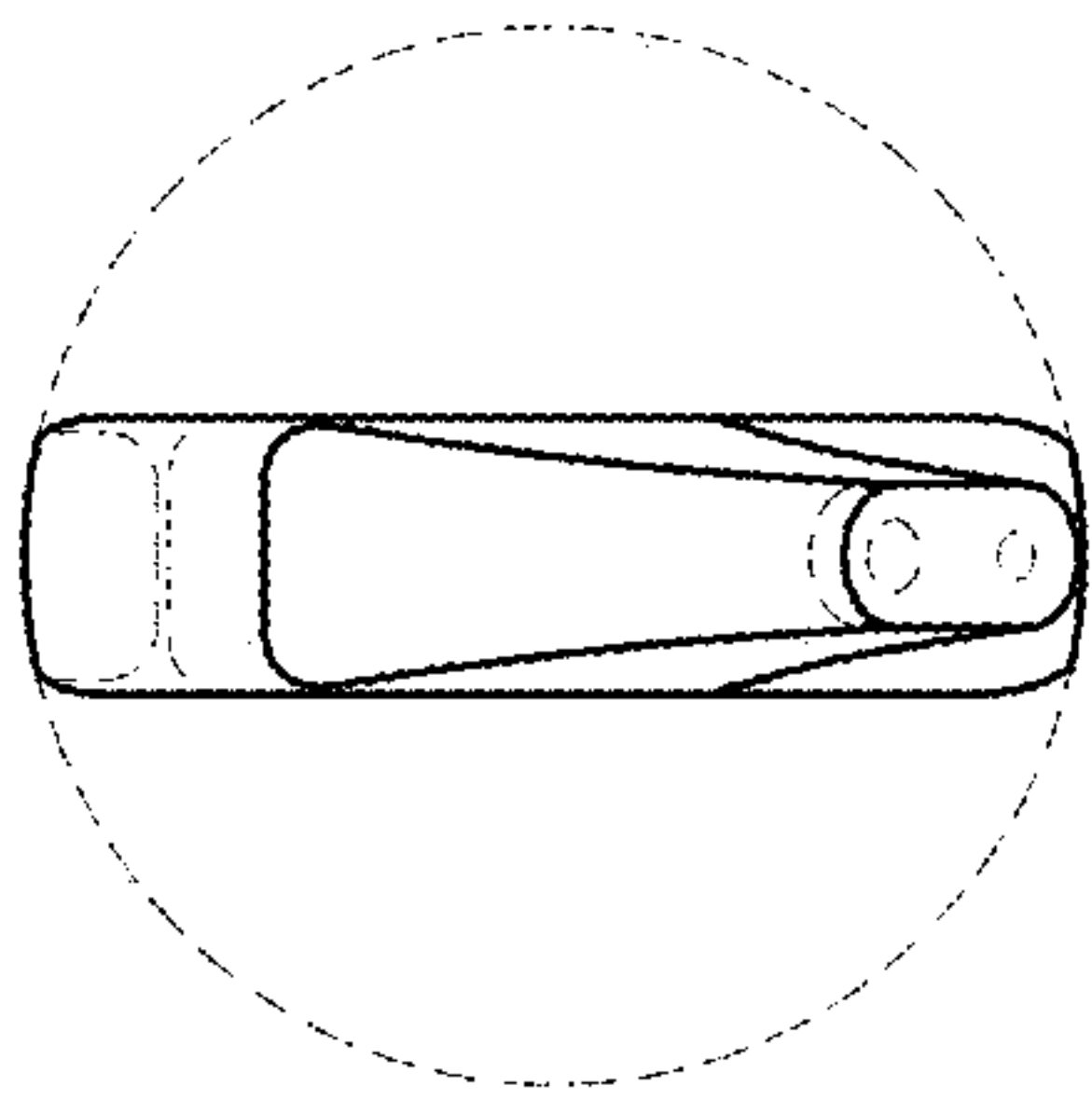


FIG. 15

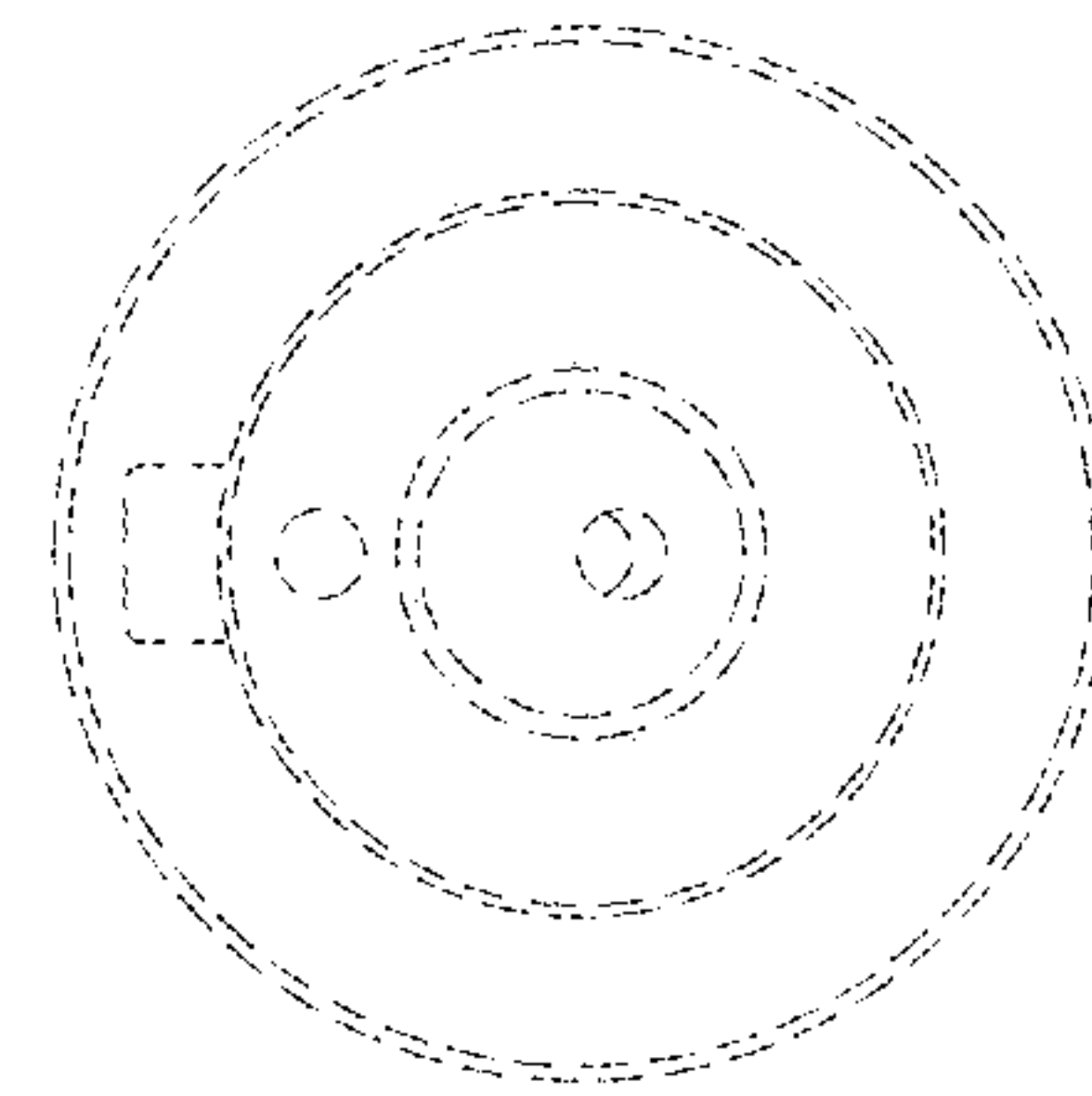


FIG. 16

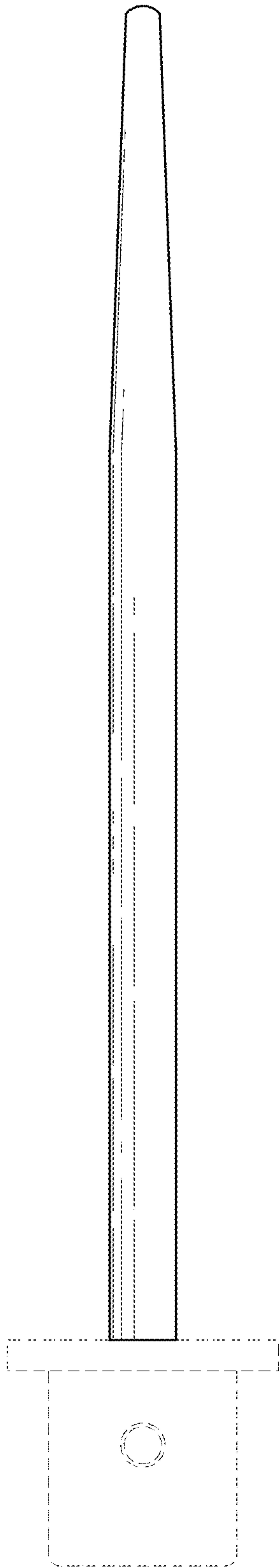


FIG. 17

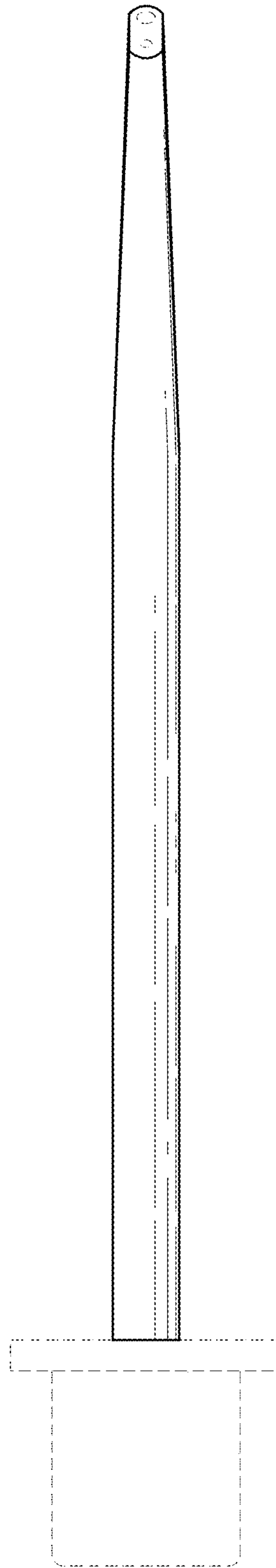


FIG. 18