



US00D931462S

(12) **United States Design Patent** (10) **Patent No.:** **US D931,462 S**  
**Zenker et al.** (45) **Date of Patent:** **\*\* Sep. 21, 2021**

(54) **BONE PLATE**

(71) Applicant: **DePuy Synthes Products, Inc.**,  
Raynham, MA (US)  
(72) Inventors: **Martin Zenker**, Zuchwil (CH); **André Galm**, Basel (CH); **Daniel Andermatt**,  
Möhlin (CH); **Martin Jaeger**, Freiburg  
(DE); **Arabella Fontana**, Zuchwil  
(CH); **Marcel Schweizer**, Zuchwil (CH)  
(73) Assignee: **DEPUY SYNTHES PRODUCTS,**  
**INC.**, Raynham, MA (US)

(\*\*) Term: **15 Years**

(21) Appl. No.: **29/727,451**

(22) Filed: **Mar. 11, 2020**

(51) **LOC (13) Cl.** ..... **24-03**

(52) **U.S. Cl.**  
USPC ..... **D24/155**

(58) **Field of Classification Search**  
USPC ..... D2/617; D3/201, 203.1, 203.6, 203.7,  
D3/304, 306, 314; D8/382; D14/205,  
D14/223; D15/199; D24/101, 102, 104,  
D24/133, 141, 155, 171, 188, 190, 193,  
D24/194, 196, 216, 224, 227, 228, 229,  
D24/231; D29/123

CPC .. A41D 19/00; A41D 19/0017; A41D 19/015;  
A41D 19/0055; A61B 17/80; A61B  
2017/00292; A61B 2017/00796; A61B  
2017/00969; A61B 50/30; A61B 50/33;  
A61B 17/8033; A61B 17/8038; A61B  
17/8042; A61B 17/8047; A61B 17/8052;  
A61B 17/8057; A61B 17/8061; A61B  
17/86; A61B 17/68; A61B 17/683; A61B  
2017/564; A61F 2/00; A61F 2/02; A61F  
2002/046; A61F 2/12; A61F 2/20; A61F  
2/203; A61F 2/26; A61F 2/28; A61F  
2002/2853; A61F 2/30; A61F 2/50; A61F  
2002/5038; A61F 2002/5058; A61F  
2002/5064; A61F 2/52; A61F 2002/526;

(Continued)

(56) **References Cited**

U.S. PATENT DOCUMENTS

8,523,919 B2 9/2013 Huebner et al.  
D766,434 S \* 9/2016 DaCosta ..... D24/155  
(Continued)

FOREIGN PATENT DOCUMENTS

CN 103750894 A 4/2014  
EP 1743586 A1 1/2007

OTHER PUBLICATIONS

Synthes, "Clavicle Hook Plate", first available Oct. 2003. ([https://www.shoulderdoc.co.uk/documents/synthes\\_clavicle\\_hook.pdf](https://www.shoulderdoc.co.uk/documents/synthes_clavicle_hook.pdf)) (Year: 2003).\*

(Continued)

*Primary Examiner* — Lauren D Mcvey  
*Assistant Examiner* — Justin A Johnson  
(74) *Attorney, Agent, or Firm* — Raymond N. Scott, Jr.

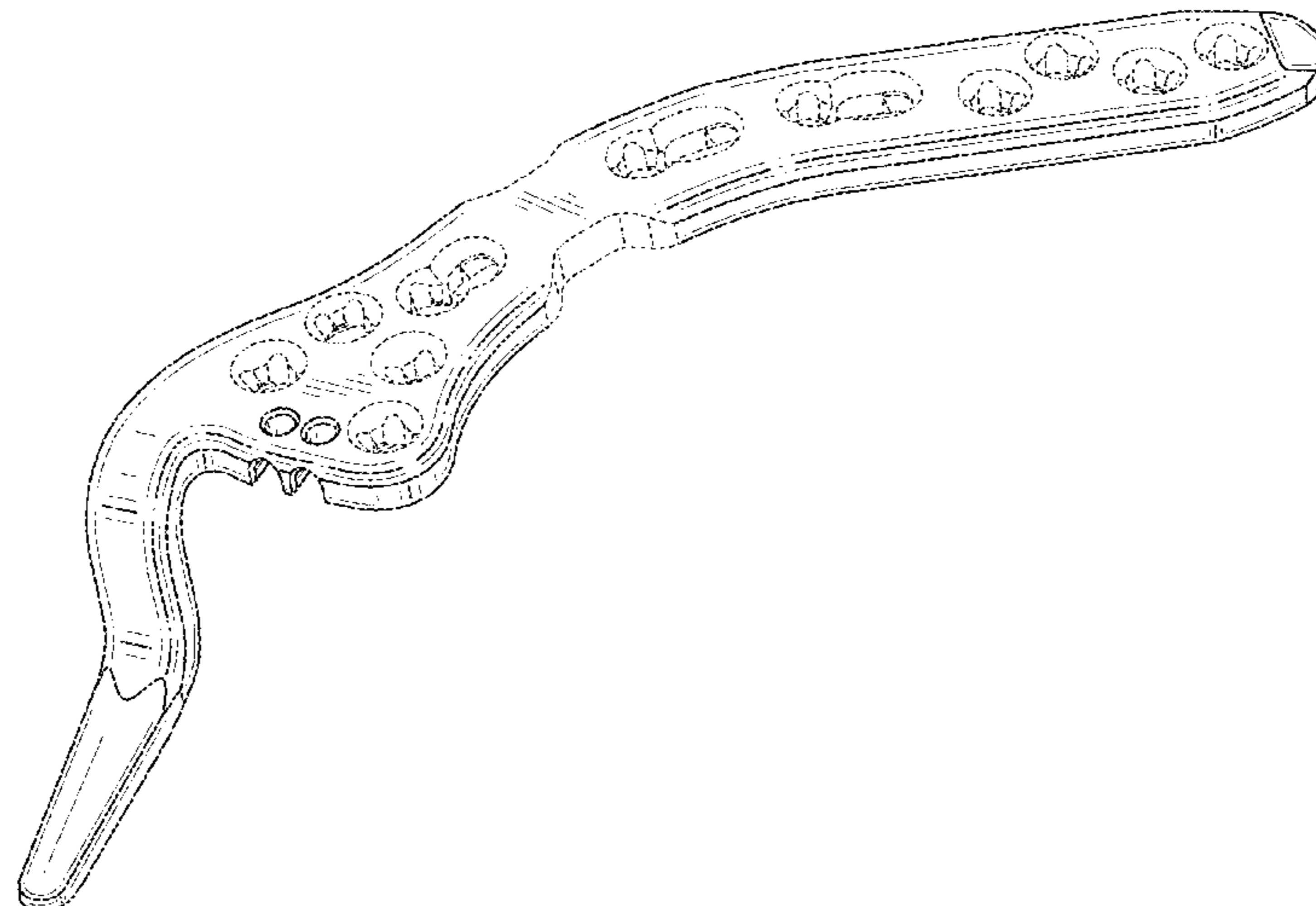
(57) **CLAIM**

We claim the ornamental design for a bone plate, as shown and described.

**DESCRIPTION**

FIG. 1: Is a perspective view of the bone plate, from the top position;  
FIG. 2: is a top view thereof;  
FIG. 3: is a right side view thereof;  
FIG. 4: is a bottom view thereof;  
FIG. 5: is a left side view thereof;  
FIG. 6: is a front view thereof; and,  
FIG. 7: is a rear view thereof.  
The broken lines in the drawings illustrate portions of the bone plate and form no part of the claimed design.

**1 Claim, 6 Drawing Sheets**



(58) **Field of Classification Search**

CPC .... A61F 2/54; A61F 2/58; A61F 2/583; A61F 2/60; A61F 2/604; A61F 2/64; A61F 2/66; A61F 2002/6614; A61F 2002/6621; A61F 2002/6628; A61F 2/82; A61F 2/86; A61F 2/88; A61F 2/885; A61F 2/4014; A61F 2002/4018; A61F 2002/4022; A61F 2002/4029; A61F 2002/4033; A61F 2002/4037; A61F 2002/4044; A61F 2002/4051; A61F 2/4059; A61F 2002/4062; A61F 2002/4066; A61F 2002/407; A61F 2002/4074; A61F 2002/4077; A61F 2/4081; A61F 2002/4085; A61F 2002/4088; A61F 2002/4092; A61F 2002/4096; A61N 1/05; A61N 1/0551; A61N 1/20; A61M 16/04  
See application file for complete search history.

D891,617 S \* 7/2020 DaCosta ..... A61B 17/808  
D24/155  
D910,178 S \* 2/2021 DaCosta ..... A61B 17/809  
D24/155  
D910,181 S \* 2/2021 DaCosta ..... A61B 17/80  
D24/155  
2007/0185493 A1 8/2007 Feibel et al.  
2007/0233112 A1 10/2007 Orbay et al.  
2013/0041375 A1\* 2/2013 Fierlbeck ..... A61B 17/809  
606/71  
2015/0282850 A1 10/2015 Fierlbeck et al.  
2015/0366570 A1 12/2015 Mebarak  
2016/0135858 A1\* 5/2016 DaCosta ..... A61B 17/80  
606/281  
2018/0344356 A1\* 12/2018 Zenker ..... A61B 17/808

**OTHER PUBLICATIONS**

Narang Medical, "Clavicle Hook Plates", first available Mar. 18, 2011. (<https://www.youtube.com/watch?v=hySd8xBCIMQ&t=1s>) (Year: 2011).\*

Depuy Synthes, "2.7 MM VA LCP Clavicle System", first available 2021. (<https://www.jnjmedicaldevices.com/en-US/node/32833>) (Year: 2021).\*

Johnson and Johnson Medical Devices, "3.5 mm LCP® Clavicle Hook Plate", first available Jan. 28, 2021. (<https://web.archive.org/web/20210128021526/https://www.jnjmedicaldevices.com/en-US/product/35-mm-lcpr-clavicle-hook-plate>) (Year: 2021).\*  
English Translation of CN103750894A.

\* cited by examiner

(56) **References Cited**

U.S. PATENT DOCUMENTS

D780,926 S \* 3/2017 DaCosta ..... D24/155  
D786,436 S \* 5/2017 Kohler ..... D24/155  
D812,757 S \* 3/2018 Barmes ..... D24/155  
D814,635 S \* 4/2018 Asfora ..... D24/155  
D874,004 S \* 1/2020 DaCosta ..... D24/155  
D879,296 S \* 3/2020 Shah ..... D24/155

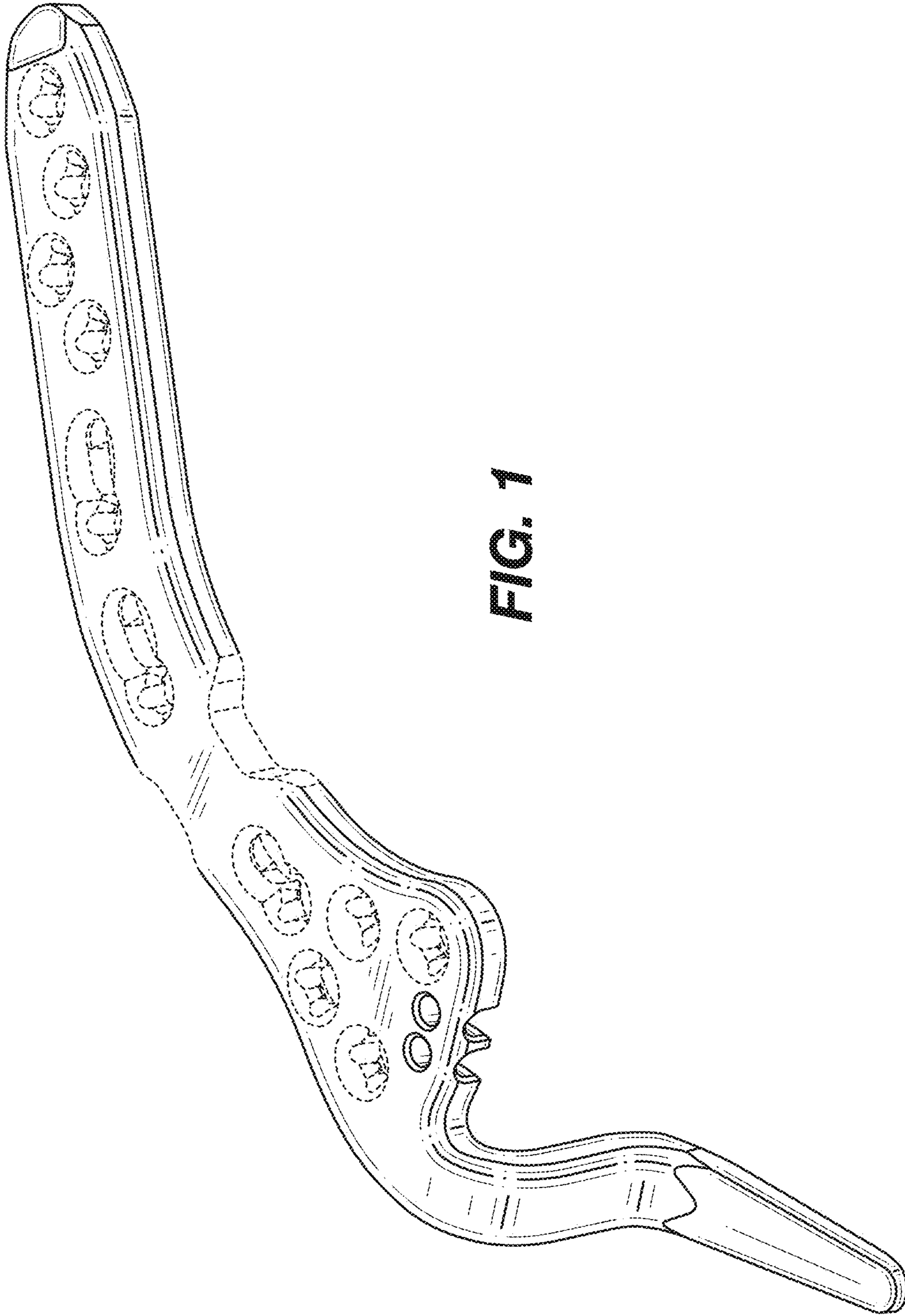
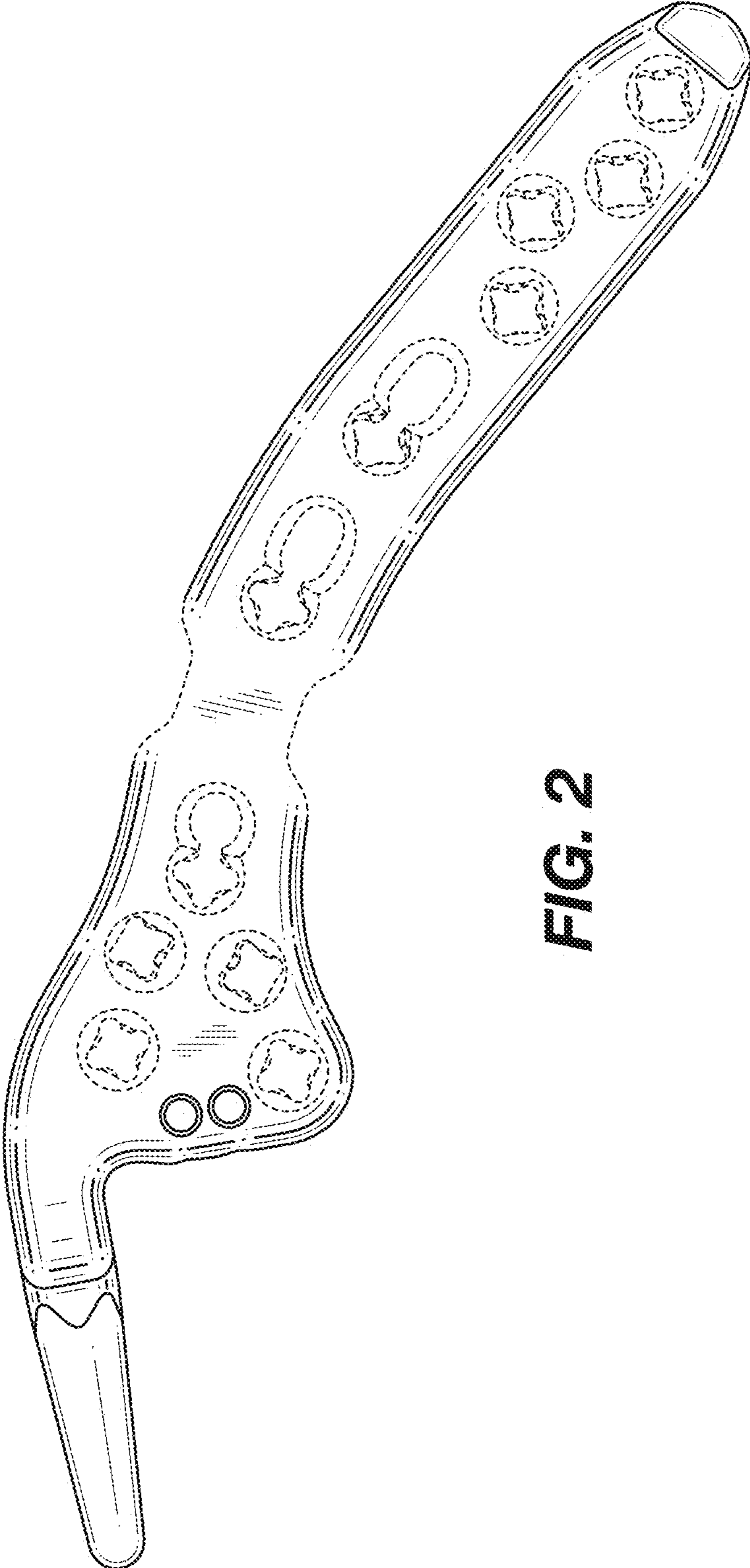
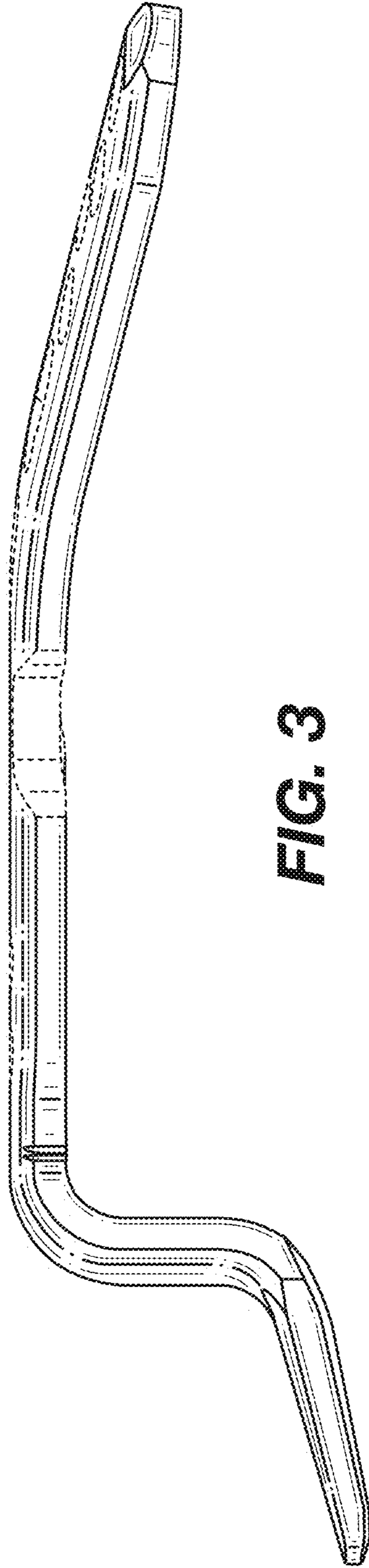


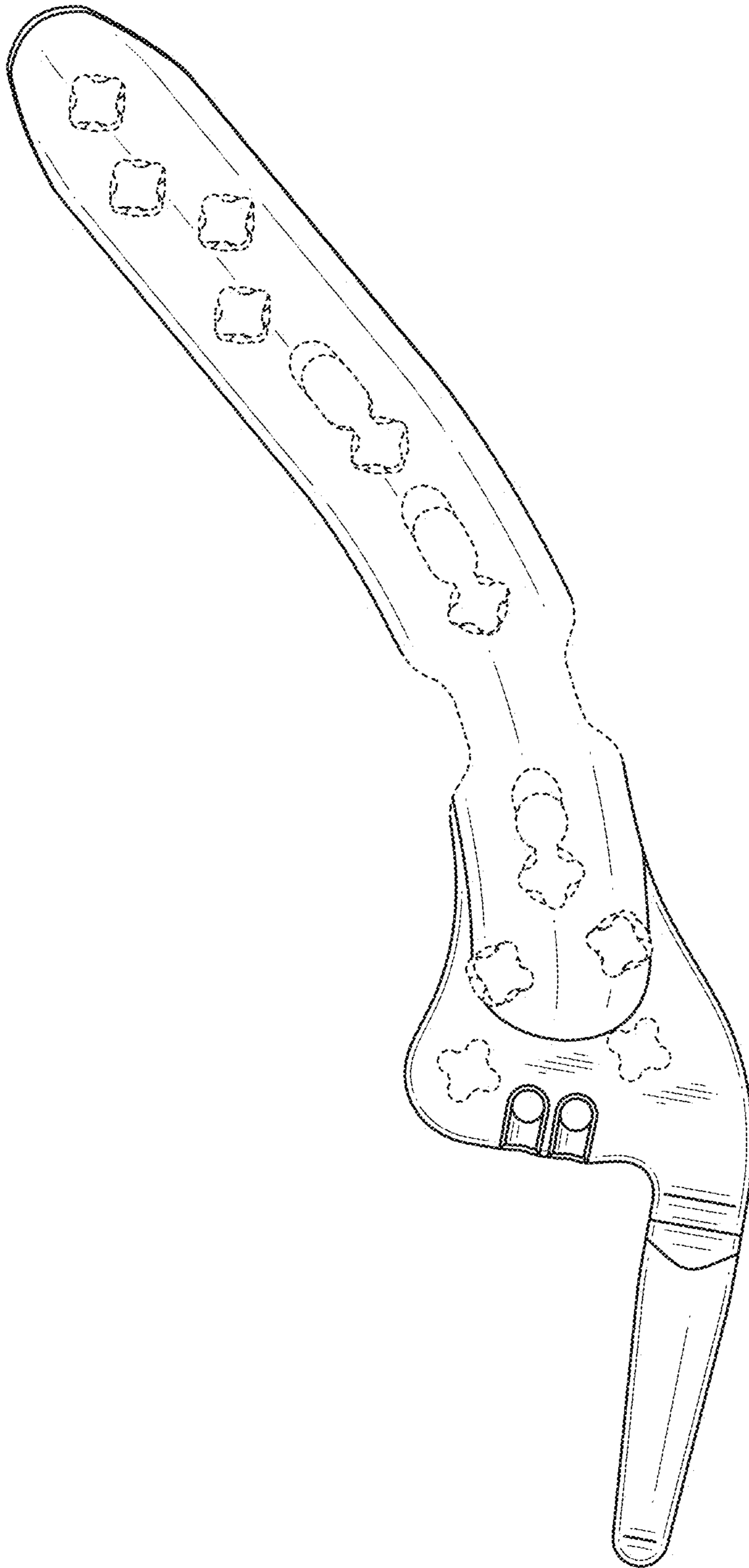
FIG. 1



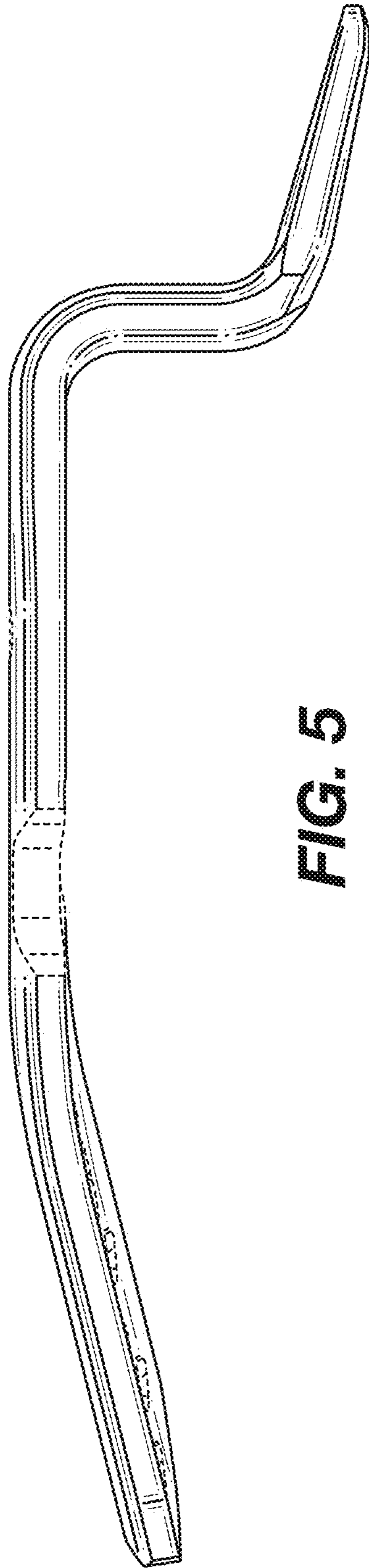
**FIG. 2**



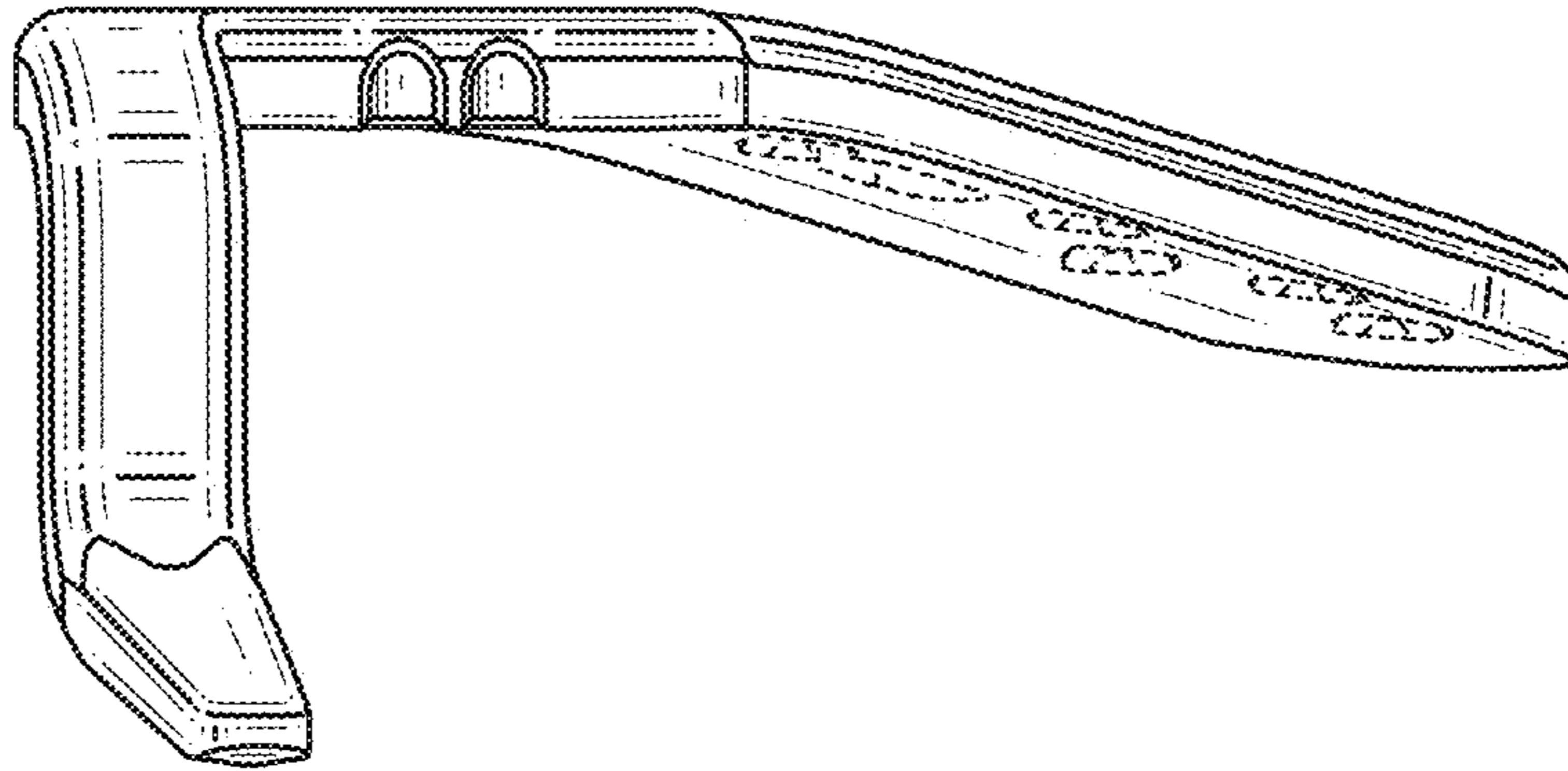
**FIG. 3**



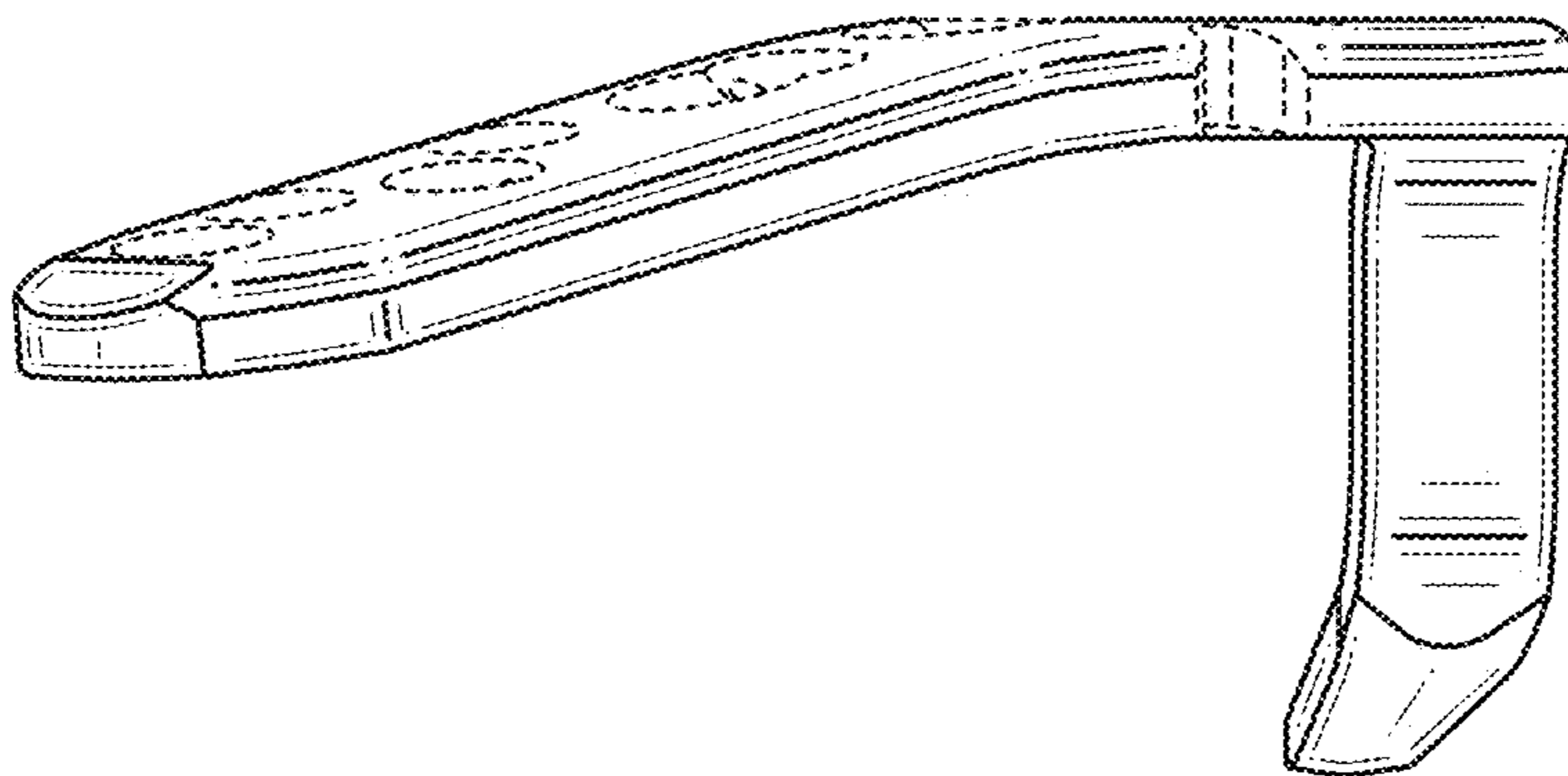
**FIG. 4**



**FIG. 5**



**FIG. 6**



**FIG. 7**