



US00D931460S

(12) **United States Design Patent** (10) **Patent No.:** **US D931,460 S**
Feinberg et al. (45) **Date of Patent:** **** Sep. 21, 2021**

(54) **IMPLANT SHELL HAVING INTERNAL, GLOBAL RIBS**
(71) Applicant: **Mentor Worldwide LLC**, Irvine, CA (US)
(72) Inventors: **Marc Feinberg**, Ringoes, NJ (US); **Joseph Henry Contiliano**, Stewartsville, NJ (US)
(73) Assignee: **Mentor Worldwide LLC**, Irvine, CA (US)

9,918,829 B2 3/2018 Van Epps et al.
10,052,190 B2 * 8/2018 Chitre A61F 2/12
2002/0038147 A1 * 3/2002 Miller, III A61F 2/12
623/8
2003/0036803 A1 2/2003 McGhan
2003/0093151 A1 * 5/2003 Zhang A61F 2/12
623/8
2007/0093911 A1 * 4/2007 Fricke A61F 2/12
623/23.72
2008/0221679 A1 9/2008 Hamas
2008/0312739 A1 * 12/2008 Agerup A61L 27/52
623/8

(Continued)

(**) Term: **15 Years**

FOREIGN PATENT DOCUMENTS

(21) Appl. No.: **29/700,288**

EP 1510189 2/2005
WO 2018078446 5/2018

(22) Filed: **Aug. 1, 2019**

OTHER PUBLICATIONS

(51) **LOC (13) Cl.** **24-03**
(52) **U.S. Cl.**
USPC **D24/155**
(58) **Field of Classification Search**
USPC D24/155
CPC A61F 2/12
See application file for complete search history.

International Search Report issued in corresponding International Application No. PCT/IB2019/056618, dated Dec. 17, 2019, 5 pages.

Primary Examiner — Charles D Hanson

(56) **References Cited**

(57) **CLAIM**

The ornamental design for an implant shell having internal, global ribs, as shown and described.

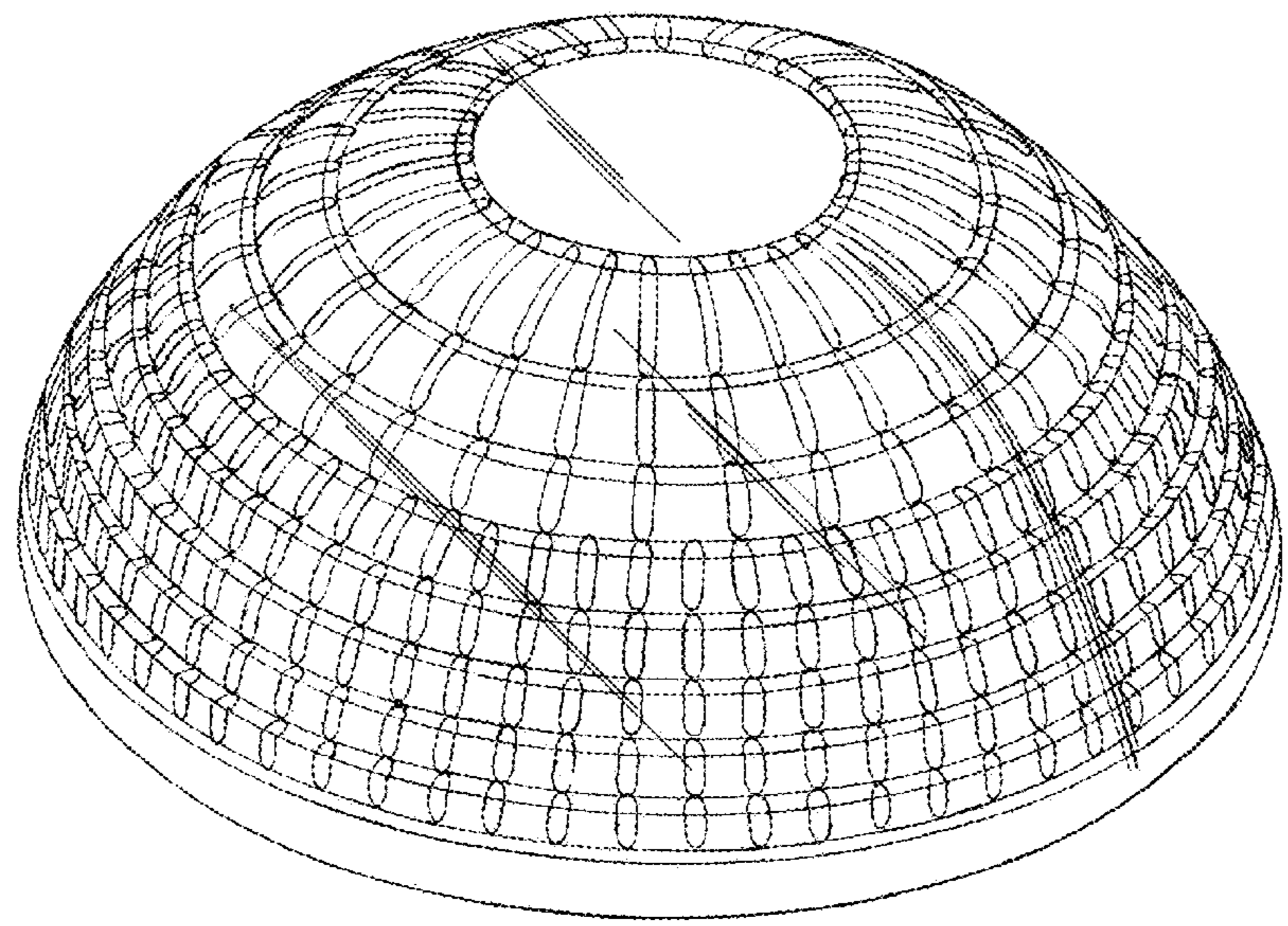
U.S. PATENT DOCUMENTS

DESCRIPTION

4,472,226 A 9/1984 Redinger et al.
4,531,244 A 7/1985 Hamas
5,104,409 A 4/1992 Baker
5,447,535 A 9/1995 Muller
6,228,116 B1 5/2001 Ledergerber
6,387,133 B1 * 5/2002 Perouse A61F 2/02
623/23.64
6,605,116 B2 8/2003 Falcon et al.
8,192,486 B2 6/2012 Glicksman
9,050,184 B2 6/2015 Van Epps
9,138,310 B2 9/2015 Powell et al.
9,138,311 B2 9/2015 Van Epps et al.
9,387,068 B2 * 7/2016 Schuessler B29C 73/16
9,808,338 B2 11/2017 Schuessler et al.

FIG. 1 is a perspective view of an implant shell having internal, global ribs, showing our new design;
FIG. 2 is a side view of the implant shell having internal, global ribs shown in FIG. 1;
FIG. 3 is a top plan view of the implant shell having internal, global ribs shown in FIG. 1;
FIG. 4 is a bottom view of the implant shell having internal, global ribs shown in FIG. 1; and,
FIG. 5 is a partial cross-sectional view of the implant shell having internal, global ribs shown in FIG. 3.

1 Claim, 4 Drawing Sheets



(56)

References Cited

U.S. PATENT DOCUMENTS

2009/0198331 A1* 8/2009 Kesten A61F 2/12
623/8
2010/0114312 A1 5/2010 Glicksman
2011/0046729 A1 2/2011 Schuessler et al.
2012/0259428 A1 10/2012 Brogan et al.
2013/0123918 A1 5/2013 Glicksman
2014/0088703 A1 3/2014 Schuessler
2015/0327987 A1* 11/2015 Schuessler A61L 27/50
623/8
2018/0064530 A1 3/2018 Glicksman

* cited by examiner

FIG. 1

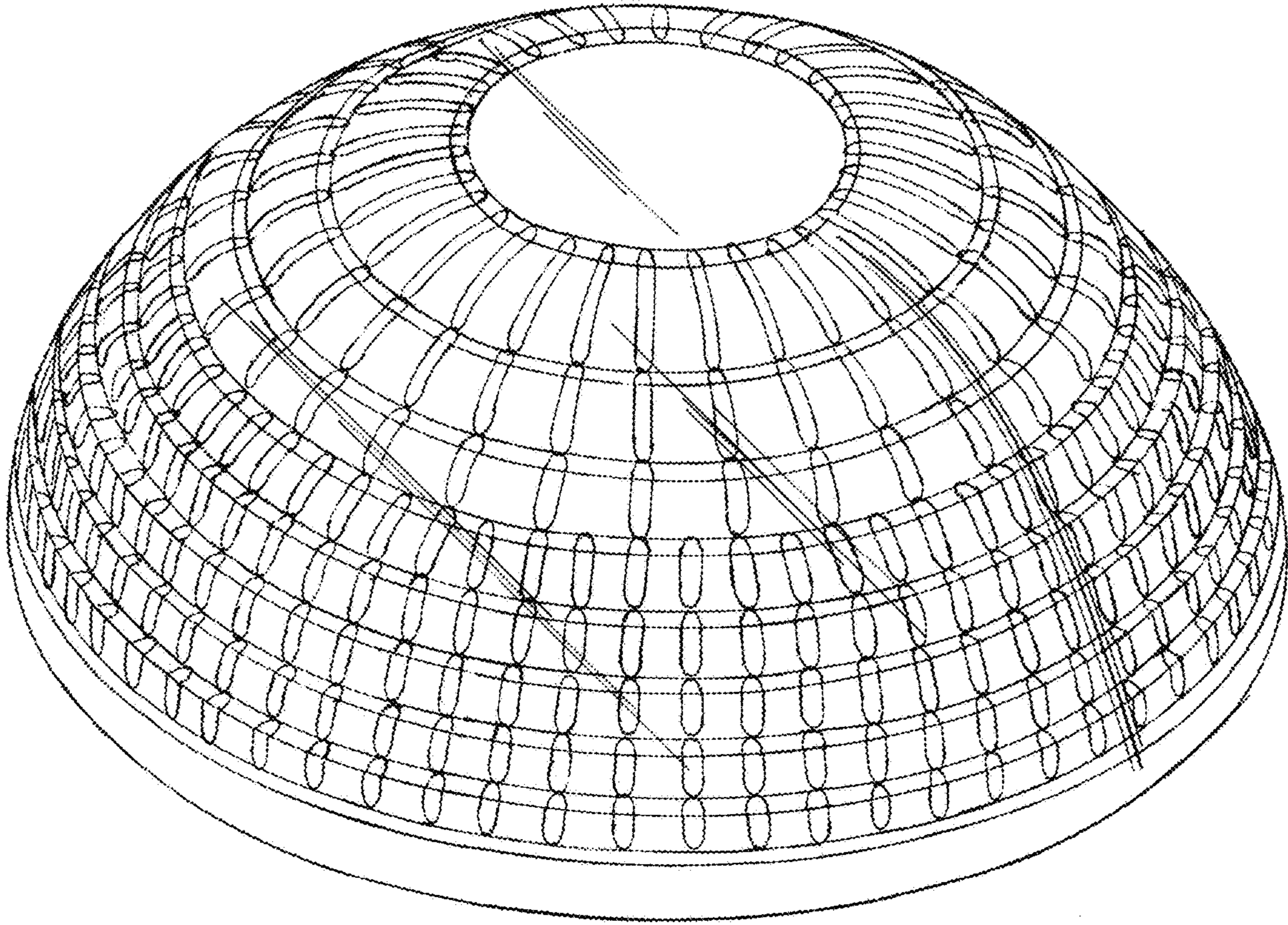


FIG. 2

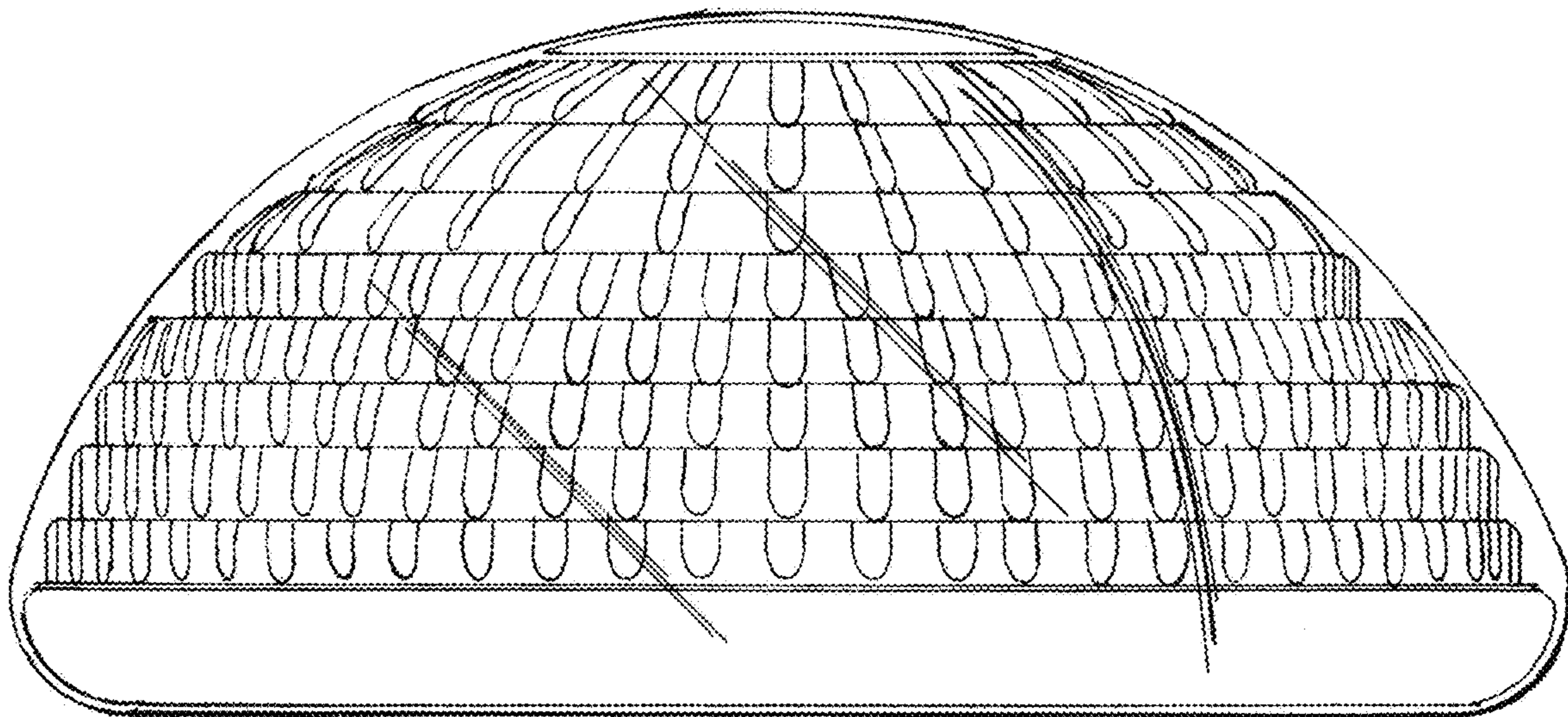


FIG. 3

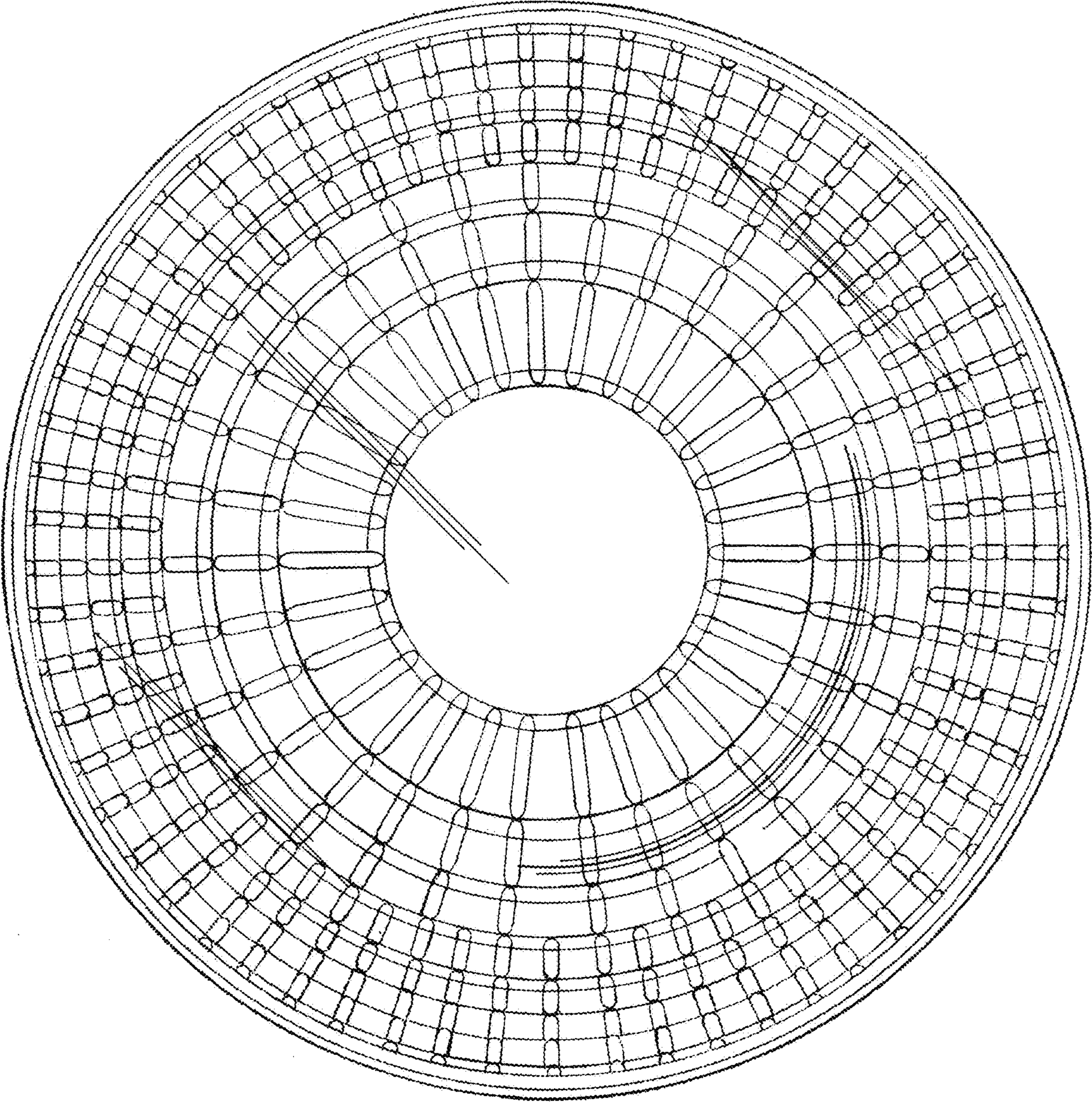


FIG. 4

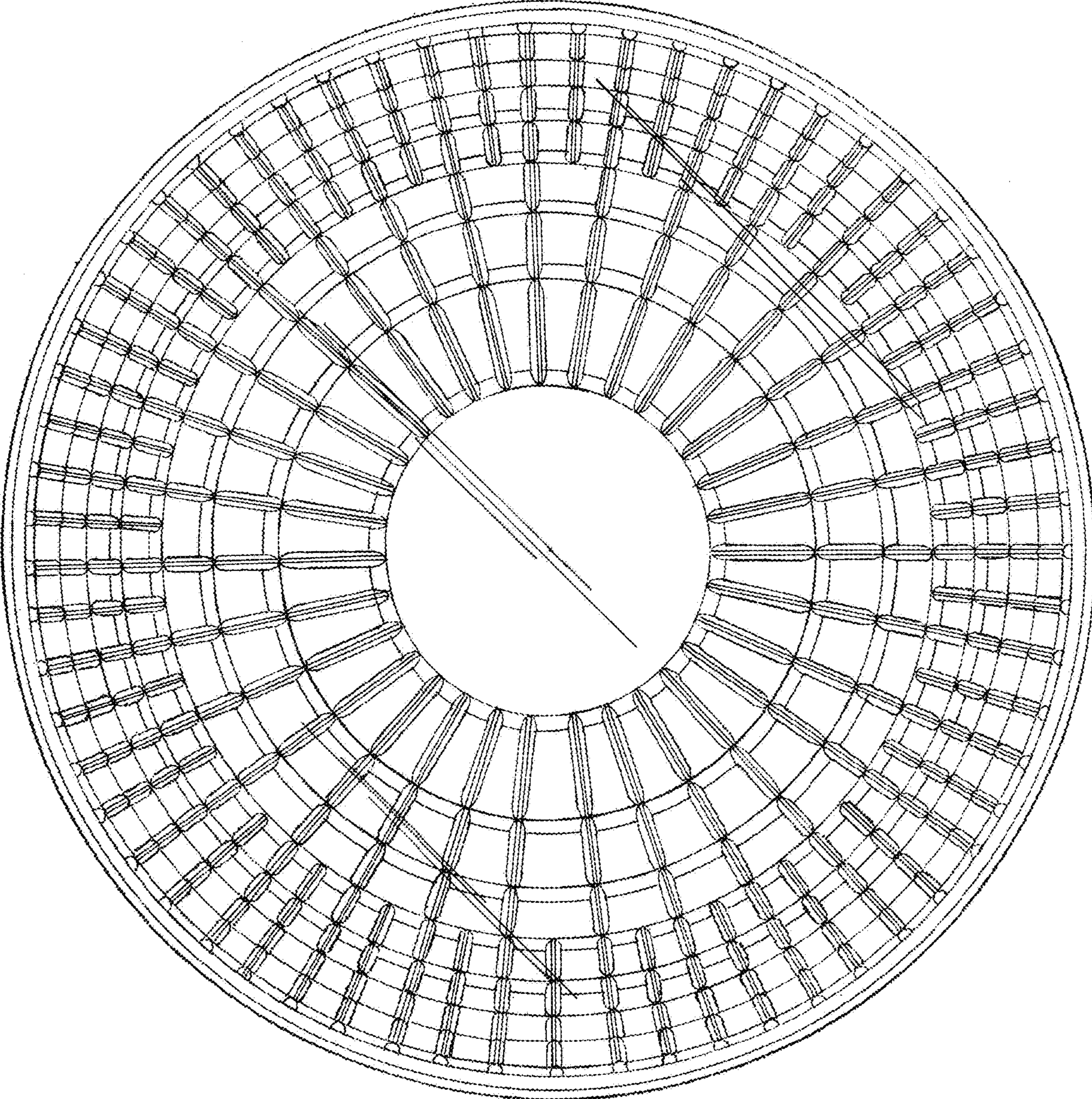


FIG. 5

