



US00D931457S

(12) **United States Design Patent** (10) **Patent No.:** **US D931,457 S**
Komarnicky (45) **Date of Patent:** **** Sep. 21, 2021**

(54) **EYE EXERCISE TOOL**

(71) Applicant: **Gerald S. Komarnicky**, West Vancouver (CA)

(72) Inventor: **Gerald S. Komarnicky**, West Vancouver (CA)

(**) Term: **15 Years**

(21) Appl. No.: **29/647,894**

(22) Filed: **May 16, 2018**

(30) **Foreign Application Priority Data**

Feb. 2, 2018 (CA) CA 179470

(51) **LOC (13) Cl.** **24-02**

(52) **U.S. Cl.**
USPC **D24/150**

(58) **Field of Classification Search**
USPC D6/522, 523, 525, 526, 553, 566; D8/49, D8/51, 52, 59, 60, 64, 82, 85, 86, 95, 97, D8/300, 303, 349, 499; D14/372; D15/138, 139; D16/100, 130, 309; D24/108, 112, 113, 114, 115, 119, 127, D24/128, 129, 130, 133, 137, 142, 144, D24/145, 146, 147, 148, 150, 155, 158, D24/160, 170, 171, 172, 181, 185, 186, D24/188, 200, 215, 216, 222, 231, 232; D25/38.1, 41.1

CPC A61B 3/00; A61B 3/0016; A61B 3/0025; A61B 3/0033; A61B 3/0041; A61B 3/0075; A61B 3/0083; A61B 3/0091; A61B 3/02; A61B 3/10; A61B 3/1005; A61B 3/12; A61B 3/13; A61B 3/18; A61B 17/00; A61B 2017/00349; A61B 2017/00455; A61B 2017/00464; A61B 2017/00473; A61B 2017/0053; A61B 17/0057; A61B 17/0231; A61B 17/04; A61B 17/064; A61B 17/0642; A61B 17/0643; A61B 17/0644; A61B 2017/0688; A61B 17/14; A61B 17/142; A61B 17/15; A61B 17/151; A61B

17/154; A61B 17/155; A61B 17/157; A61B 17/158; A61B 17/16; A61B 17/1613; A61B 17/1615; A61B 17/1617; A61B 2090/0817; A61B 2017/00663; A61B 17/0401; A61B 2017/0404; A61B 10/00; A61B 10/02; A61B 2010/0208; A61B 10/04; A61B

(Continued)

(56) **References Cited**

U.S. PATENT DOCUMENTS

D621,955 S * 8/2010 Seehof D25/41.1
D634,004 S * 3/2011 Hampton D24/128

(Continued)

OTHER PUBLICATIONS

Amazon, "Deltana PW350U15A 3½-Inch Center to Center Solid Brass Wire Pull", first available Apr. 2, 2010. (https://www.amazon.com/dp/B003F389U2/ref=sbl_dp_x_B074ZRNFK_0) (Year: 2010).*

(Continued)

Primary Examiner — April Rivas

Assistant Examiner — Justin A Johnson

(74) *Attorney, Agent, or Firm* — Nexus Law Group LLP

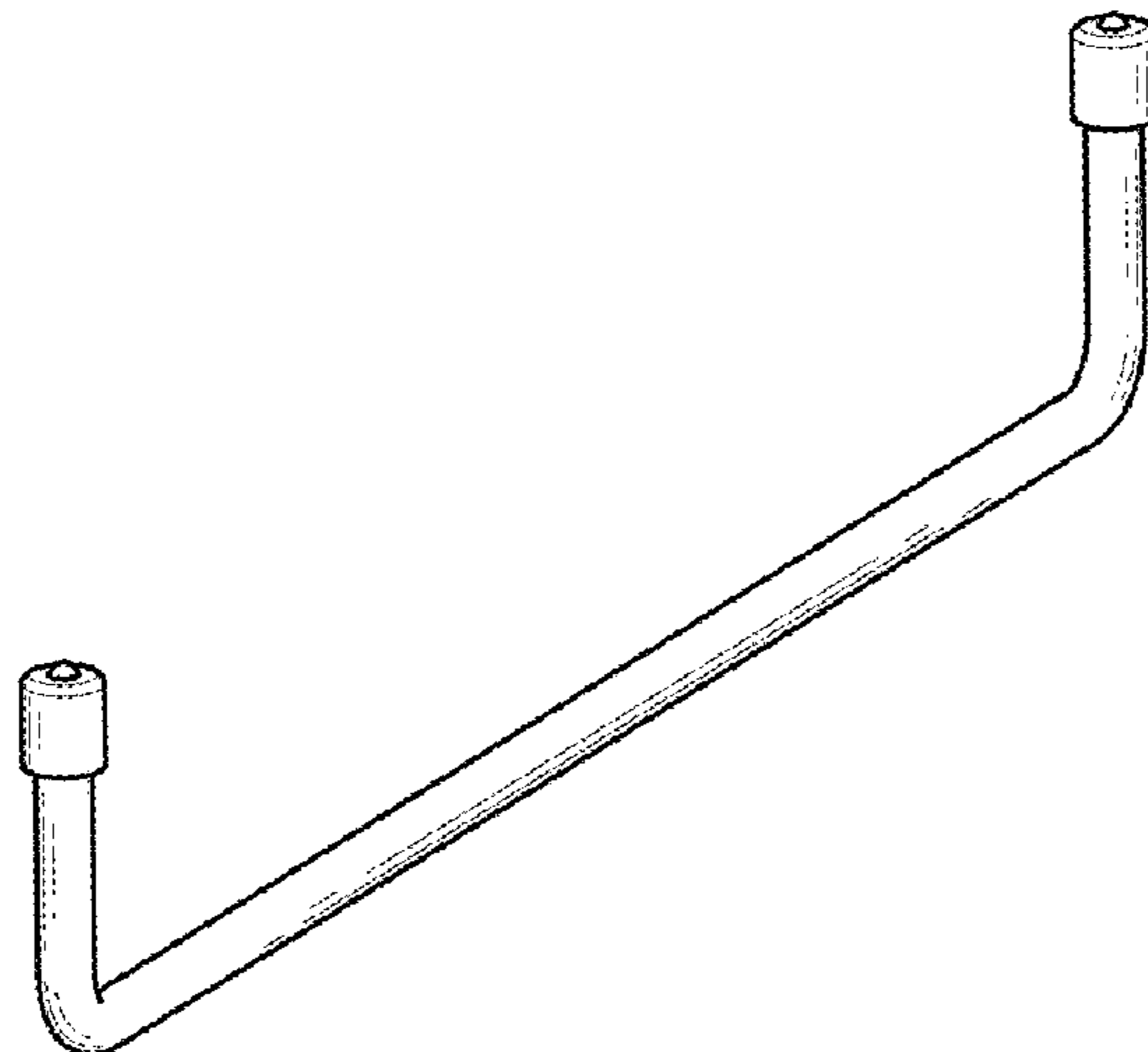
(57) **CLAIM**

The ornamental design of an eye exercise tool, substantially as shown and described.

DESCRIPTION

FIG. 1 is a perspective view of an eye exercise tool in accordance with the present invention; FIG. 2 is a front side view of the design shown in FIG. 1; FIG. 3 is a rear side view thereof; FIG. 4 is a left-side view thereof; FIG. 5 is a right-side view thereof; FIG. 6 is a bottom view thereof; and, FIG. 7 is a top view thereof.

1 Claim, 4 Drawing Sheets



(58) **Field of Classification Search**

CPC 2010/045; B23D 51/025; A61F 9/00; A61F 9/007; A61F 9/0133; A61F 2210/0004; A61H 5/00; A61H 5/005; A61H 2205/022; E21B 10/00; B28B 7/00; B28B 7/0002; B28B 7/0032; B28B 7/0094; B28B 7/16; B28B 7/18

See application file for complete search history.

2010/0252792	A1*	10/2010	Bennett	A47K 17/022 256/21
2016/0074037	A1*	3/2016	Cheney	A61B 17/0684 227/175.1
2016/0151151	A1*	6/2016	Kleinman	A61F 2/1602 623/6.12
2017/0238919	A1*	8/2017	Foxman	A61B 17/0231
2020/0102753	A1*	4/2020	Holland	F21V 23/0464

(56)

References Cited

U.S. PATENT DOCUMENTS

D690,029	S *	9/2013	Mukith	D25/38.1
D852,022	S *	6/2019	Warmenhoven	A61B 17/07207 D8/316
D880,003	S *	3/2020	Eberl	A61F 2/1602 D25/38.1
D902,439	S *	11/2020	Lamanna	F21V 23/0464 D25/38.1
2008/0172088	A1*	7/2008	Smith	A61B 17/0644 606/219
2010/0217314	A1*	8/2010	Holsten	A61B 17/07207 606/220

OTHER PUBLICATIONS

DK Hardware, "CRL BM20BR Polished Brass 20" BM Series Tubular Single-Sided Towel Bar", first available Jun. 25, 2014. (<https://www.dkhardware.com/polished-brass-20-bm-series-tubular-single-sided-towel-bar-bm20br-product-24661.html>) (Year: 2014).*

Jumbled Brain, "C-Rod", first available May 5, 2020. (<https://web.archive.org/web/20200505051803/https://www.jumbledbrain.com/c-rod/>) (Year: 2020).*

Ebay, "Stainless Steel Bath Shower Grab Bar Wall Mounted Grip Handle Towel Rail", first available Jun. 1, 2021. (<https://www.ebay.com/itm/Stainless-Steel-Bath-Shower-Grab-Bar-Wall-Mounted-Grip-Handle-Towel-Rail-/123231208063>) (Year: 2021).*

* cited by examiner

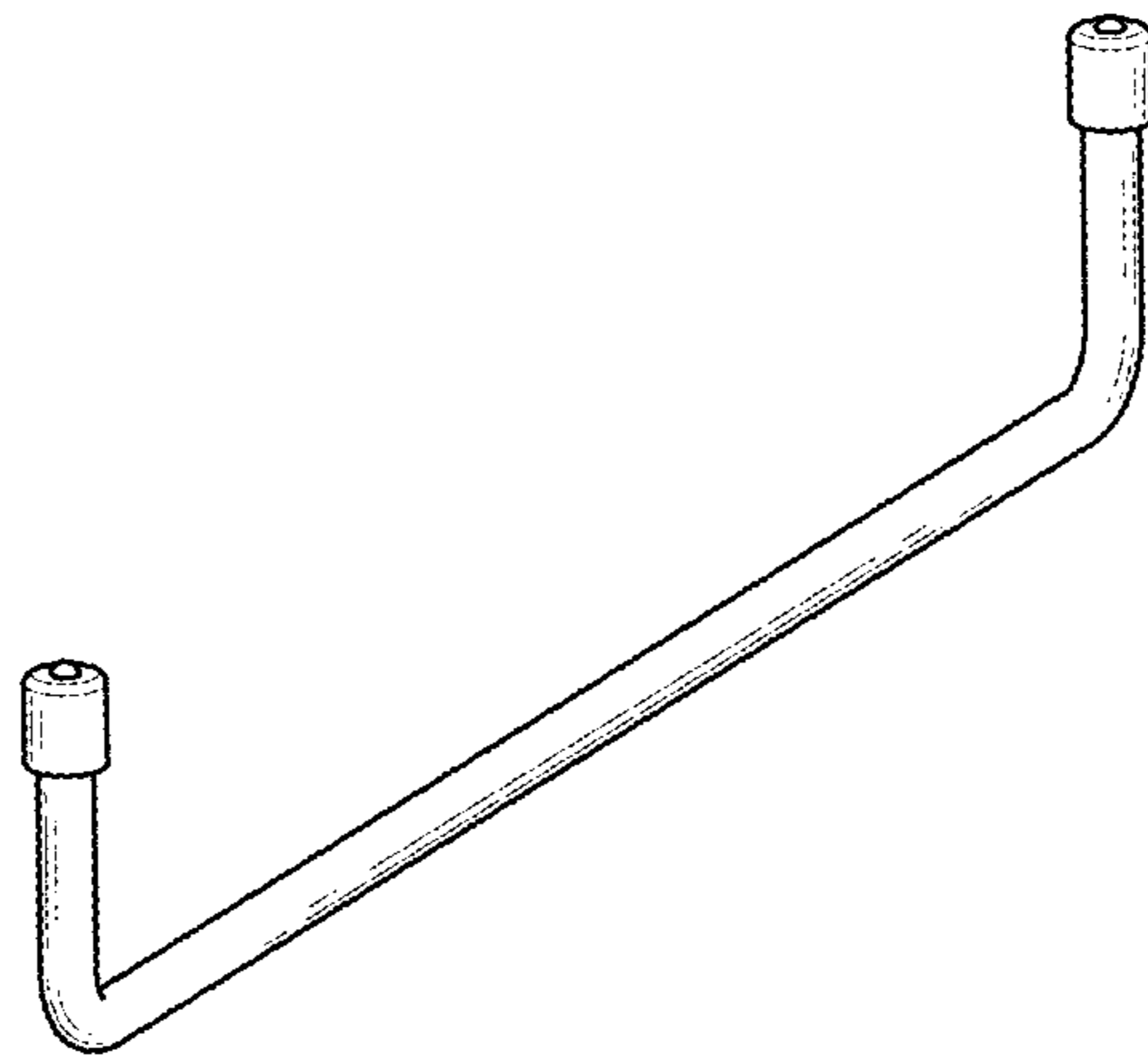


FIG. 1

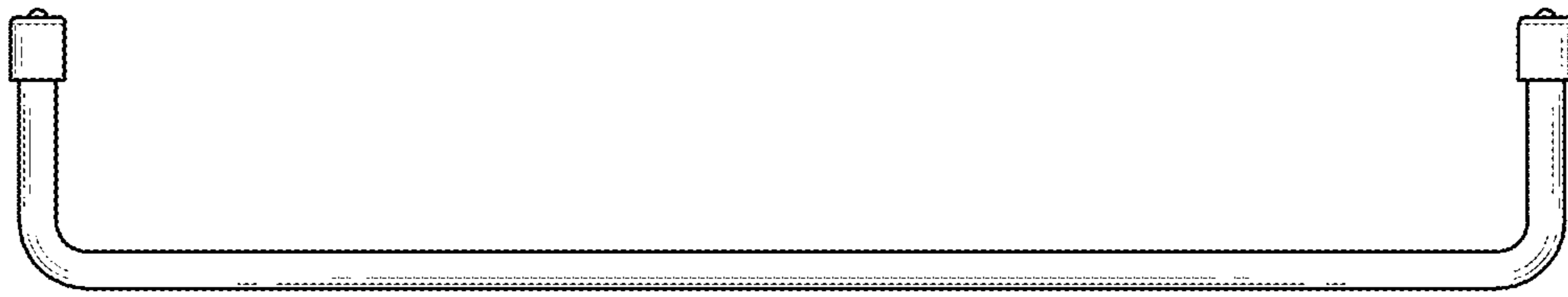


FIG. 2



FIG. 3

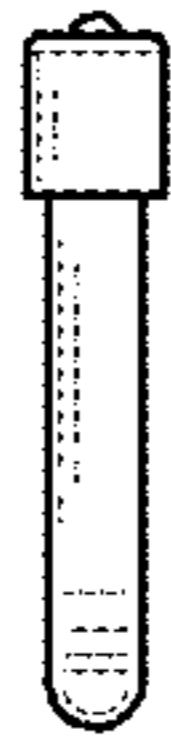


FIG. 4

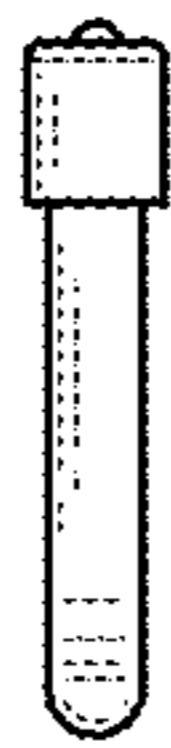


FIG. 5



FIG. 6

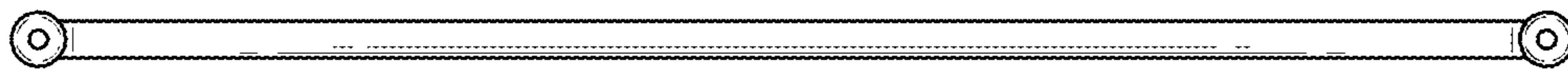


FIG. 7