



US00D931456S

(12) **United States Design Patent** (10) **Patent No.:** **US D931,456 S**  
**Schumaier et al.** (45) **Date of Patent:** **\*\* Sep. 21, 2021**

(54) **EAR CURETTE HOUSING**  
(71) Applicant: **Ear Technology Corporation**, Johnson City, TN (US)  
(72) Inventors: **Daniel R. Schumaier**, Elizabethton, TN (US); **Karlee D. Harrison**, Johnson City, TN (US); **George B. Waites, Jr.**, Fletcher, NC (US); **Samuel C. Scudder**, Asheville, NC (US)  
(73) Assignee: **Ear Technology Corporation**, Johnson City, TN (US)

5,234,452 A 8/1993 Wang-On  
5,250,061 A 10/1993 Michelson  
D350,605 S \* 9/1994 Williams ..... D24/133  
(Continued)

(\*\*) Term: **15 Years**

FOREIGN PATENT DOCUMENTS

(21) Appl. No.: **29/771,270**

CN 2192310 Y 3/1995  
CN 2355698 Y 12/1999  
(Continued)

(22) Filed: **Feb. 22, 2021**

OTHER PUBLICATIONS

(51) **LOC (13) Cl.** ..... **24-02**

Eutuxia Ear Pick with LED Light, first available Jun. 9, 2016, amazon.com, [online], [site visited Apr. 22, 2021], Available from internet URL: [https://www.amazon.com/Eutuxia-Earpick-Cleaning-Removal-Curette/dp/B01H27DCJO/ref=rtpb\\_3?pd\\_rd\\_w=O9ffJ&pf\\_rd\\_p=be844577-fee7-4bbc-8d%E2%80%A6](https://www.amazon.com/Eutuxia-Earpick-Cleaning-Removal-Curette/dp/B01H27DCJO/ref=rtpb_3?pd_rd_w=O9ffJ&pf_rd_p=be844577-fee7-4bbc-8d%E2%80%A6) (Year: 2016).\*

(52) **U.S. Cl.**  
USPC ..... **D24/147**

(58) **Field of Classification Search**  
USPC ..... D24/146-148, 133, 152, 151, 193, 119, D24/141, 130, 127, 112, 144; D8/107, D8/300, 303, 307, 310, 311, 47, 14, 98, D8/99, 102; D12/178, 179  
CPC ..... A61B 10/02; A61B 2010/0216; A61B 10/0291; A61B 17/50; A61B 17/24; A61B 17/3211; A61B 17/3213; A61B 17/3215; A61B 17/3217; A61B 2017/32113; A61B 2090/061; A61F 11/006; A61F 11/00; A61F 11/06; A61C 3/00; A61C 5/40; A61C 5/50

See application file for complete search history.

*Primary Examiner* — Samantha Q Lawrence  
*Assistant Examiner* — Holly M Rodriguez  
(74) *Attorney, Agent, or Firm* — Luedeka Neely Group, P.C.

(56) **References Cited**

U.S. PATENT DOCUMENTS

D214,112 S \* 5/1969 Langdon ..... D24/130  
4,572,180 A 2/1986 Deenadayalu  
4,785,796 A 11/1988 Mattson  
5,209,757 A 5/1993 Krug et al.

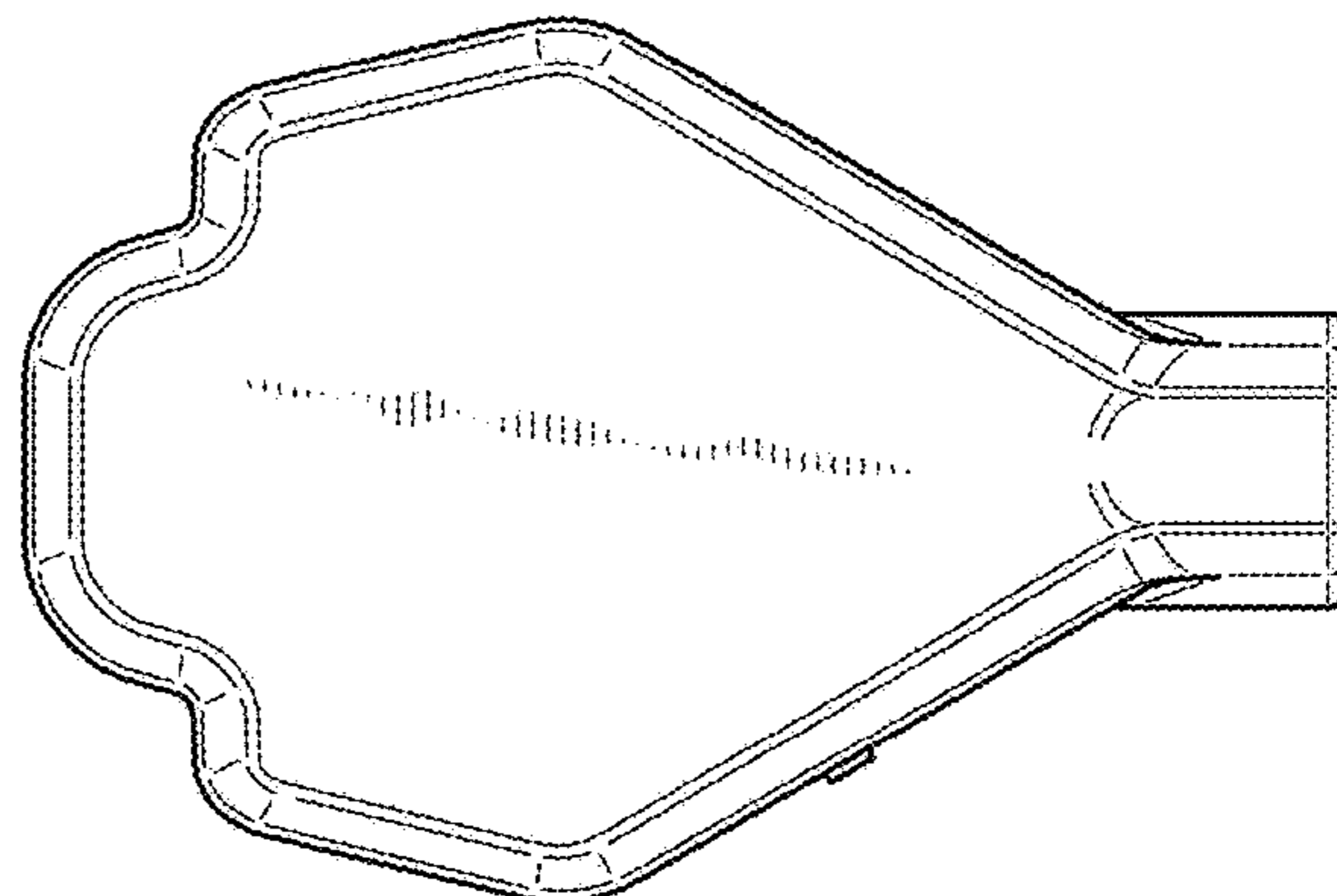
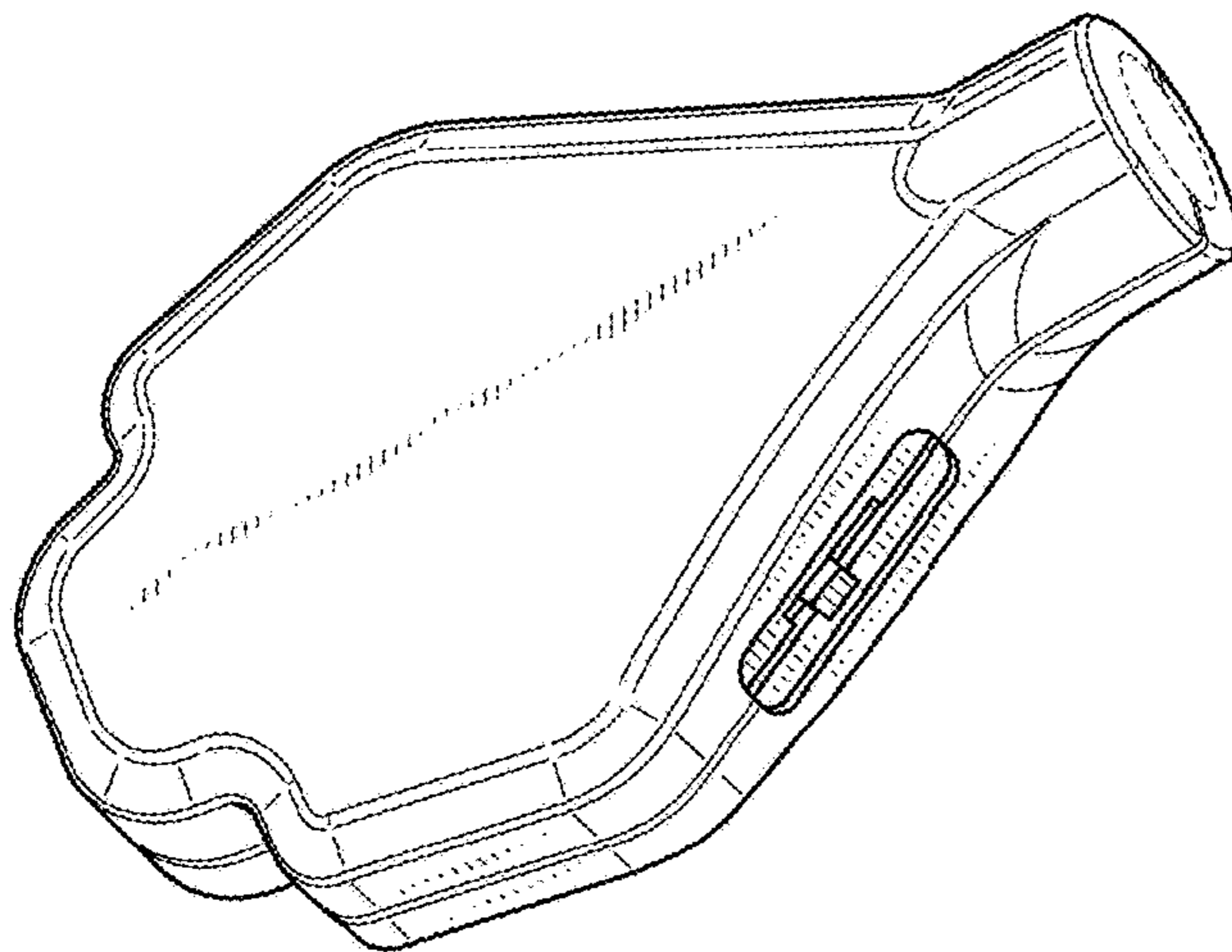
(57) **CLAIM**

The ornamental design for an ear curette housing, as shown and described.

**DESCRIPTION**

FIG. 1 is a perspective view of an ear curette housing showing our new design;  
FIG. 2 is a right side elevation view thereof;  
FIG. 3 is a left side elevation view thereof;  
FIG. 4 is a top plan view thereof;  
FIG. 5 is a bottom plan view thereof;  
FIG. 6 is a rear elevation view thereof; and,  
FIG. 7 is a front elevation view thereof.  
The broken lines in FIGS. 1, 6 and 7 depict portions of the ear curette housing that form no part of the claimed design.

**1 Claim, 2 Drawing Sheets**



(56)

References Cited

U.S. PATENT DOCUMENTS

5,431,665 A 7/1995 Li  
 D414,866 S 10/1999 Szabo  
 6,074,405 A 6/2000 Koch  
 D438,305 S 2/2001 Ripich et al.  
 6,193,682 B1 \* 2/2001 Ahmed ..... A61M 27/006  
 604/198  
 D439,338 S 3/2001 Huttner et al.  
 D447,237 S 8/2001 Huttner et al.  
 D449,888 S 10/2001 Huttner  
 D450,676 S 11/2001 Huttner  
 D517,209 S \* 3/2006 Burton ..... D24/129  
 D540,468 S 4/2007 Mori  
 D542,413 S \* 5/2007 Mori ..... D24/130  
 D589,143 S \* 3/2009 Mauch  
 D598,549 S 8/2009 Cantu et al.  
 D599,476 S \* 9/2009 Levine ..... D24/119  
 D609,372 S \* 2/2010 Rosian ..... D25/135  
 D612,049 S 3/2010 Baynham  
 D626,391 S 11/2010 Vigil  
 D667,111 S \* 9/2012 Robinson ..... D24/133  
 D690,819 S \* 10/2013 Svensson ..... D24/174  
 D690,820 S \* 10/2013 Nielsen ..... D24/174  
 D804,024 S 11/2017 Herrera  
 D837,984 S \* 1/2019 Christiansen ..... D24/151  
 D857,195 S \* 8/2019 Taylor ..... D24/133  
 D864,388 S 10/2019 Barber  
 D892,320 S \* 8/2020 Milhous ..... D24/130  
 2003/0045834 A1 3/2003 Wing et al.  
 2005/0251106 A1 \* 11/2005 Cervantes ..... A61M 25/10  
 604/523  
 2015/0018714 A1 1/2015 Chen  
 2015/0018861 A1 1/2015 Olson  
 2015/0127036 A1 5/2015 Farzin  
 2015/0182203 A1 7/2015 Pestes  
 2015/0313676 A1 11/2015 Deodhar

FOREIGN PATENT DOCUMENTS

CN 201759742 U 3/2011  
 CN 201959081 U 9/2011  
 CN 209075144 U 7/2019  
 FR 659084 A 6/1929

OTHER PUBLICATIONS

Bionix Lighted CeraPik Plastic Ear Curette, first available Jan. 15, 2014, amazon.com, [online], [site visited Apr. 22, 2021], Available from internet URL: <https://www.amazon.com/Lighted-Ear-Curette-Magnification-CeraPik/dp/B00HVEEAWC> (Year: 2014).\*

The Lighted Ear Curette Light Source for Curettes, first available Dec. 17, 2019, amazon.com, [online], [site visited Apr. 22, 2021], Available from internet URL: [https://www.amazon.com/Lighted-Ear-Curette-Curettes-Reusable/dp/B082VMT612/ref=sr\\_1\\_57?dchild=1&keywords=Ear+Curette&qid=1619092206&%E2%80%A6](https://www.amazon.com/Lighted-Ear-Curette-Curettes-Reusable/dp/B082VMT612/ref=sr_1_57?dchild=1&keywords=Ear+Curette&qid=1619092206&%E2%80%A6) (Year: 2019).\*

Micro-Light li White, first available Oct. 2, 2000, amazon.com, [online], [site visited Apr. 22, 2021], Available from internet URL: <https://www.amazon.com/LRI-PWK-Photon-Keychain-Micro-Light/dp/B00006I4Y2> (Year: 2000).\*

Ear Spoon with LED Light Earwax Remover, Lighted Curette Ear, lazada.com, [online], [site visited Apr. 22, 2021], Available from internet URL: <https://www.lazada.com.ph/products/ear-spoon-with-led-light-earwax-remover-earpick-lighted-curette-ear-wax-removal-tool-ear-cleaner-tweezers-i171%E2%80%A6> (Year: 2021).

Ear Wax Removal Tool with LED Light and Storage Case, first available Jun. 21, 2019, amazon.com, [online], [site visited Apr. 22, 2021], Available from internet URL: [https://www.amazon.com/dp/B07TCNRVW1/ref=sspa\\_dk\\_detail\\_1?psc=1&pd\\_rd\\_i=B07TCNRVW1&pd\\_rd\\_w=gZhCW&pf\\_rd\\_p=085568d9-3b13-4ac1%E2%80%A6](https://www.amazon.com/dp/B07TCNRVW1/ref=sspa_dk_detail_1?psc=1&pd_rd_i=B07TCNRVW1&pd_rd_w=gZhCW&pf_rd_p=085568d9-3b13-4ac1%E2%80%A6) (Year: 2019).

\* cited by examiner

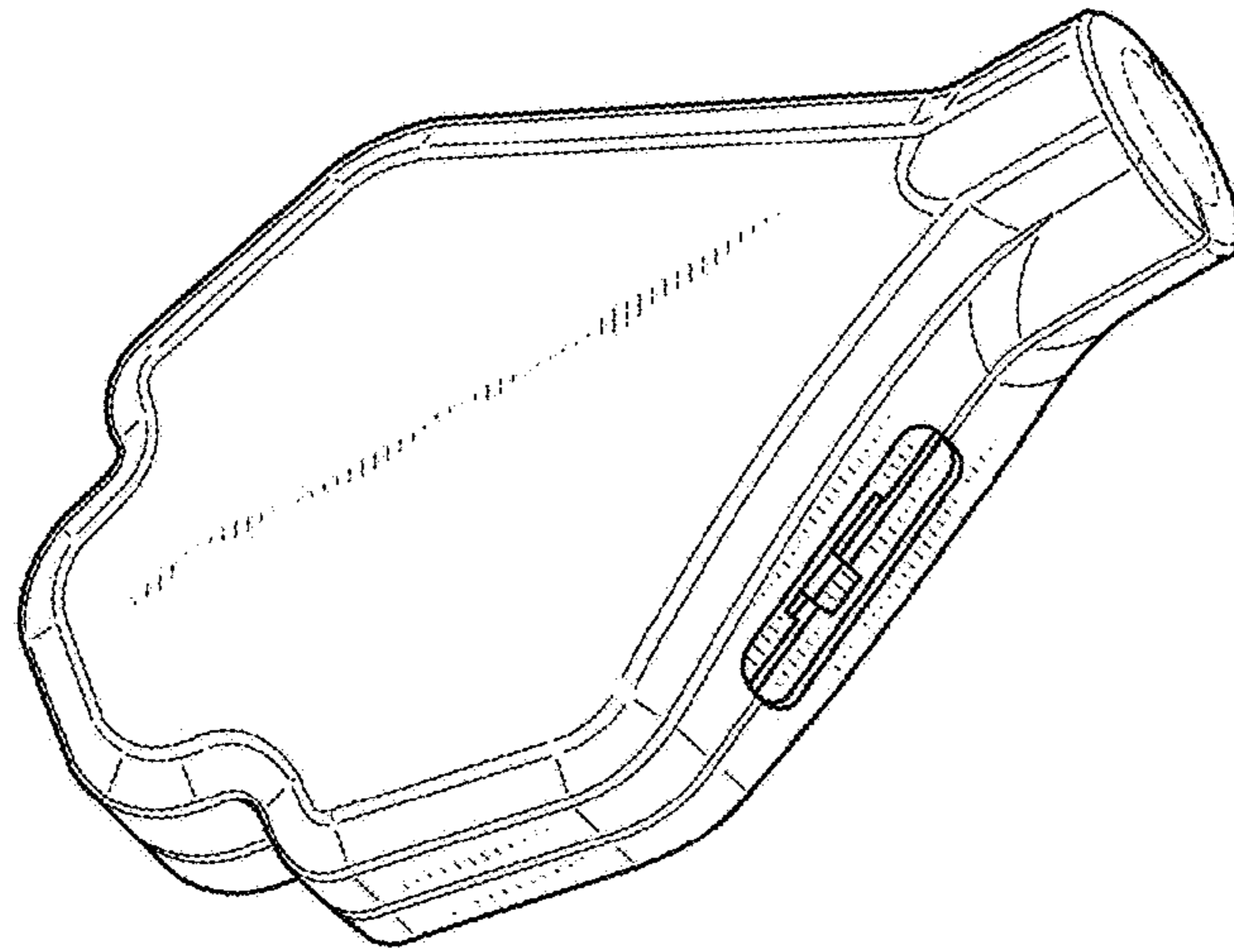


FIG. 1

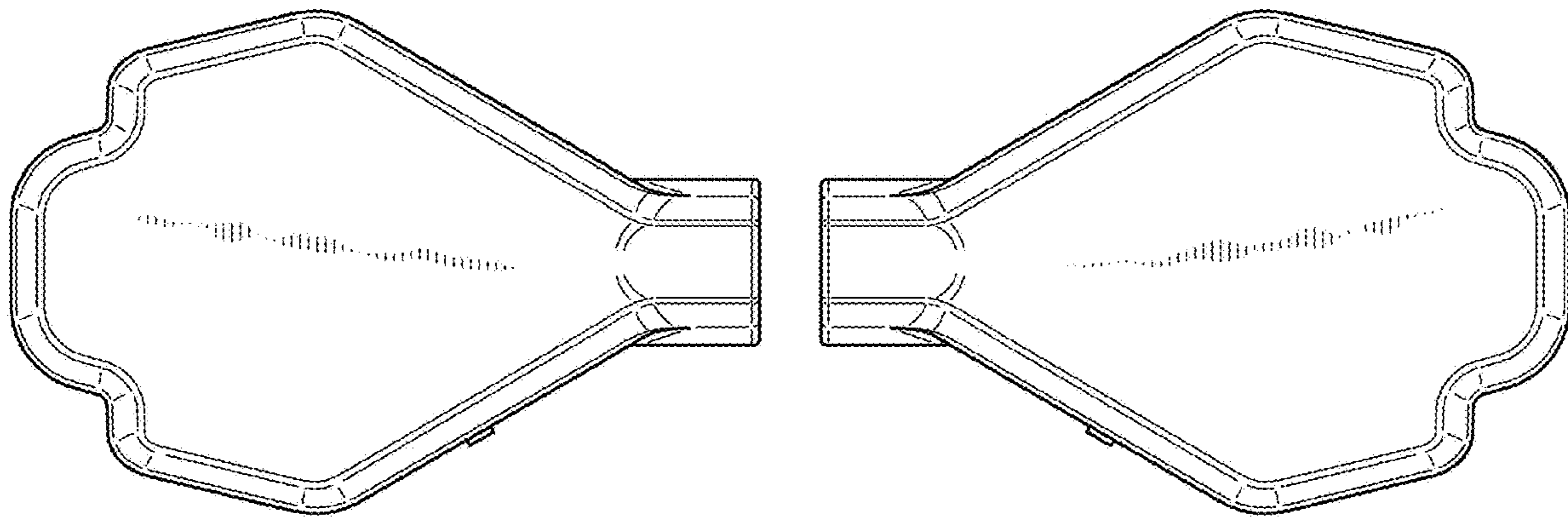
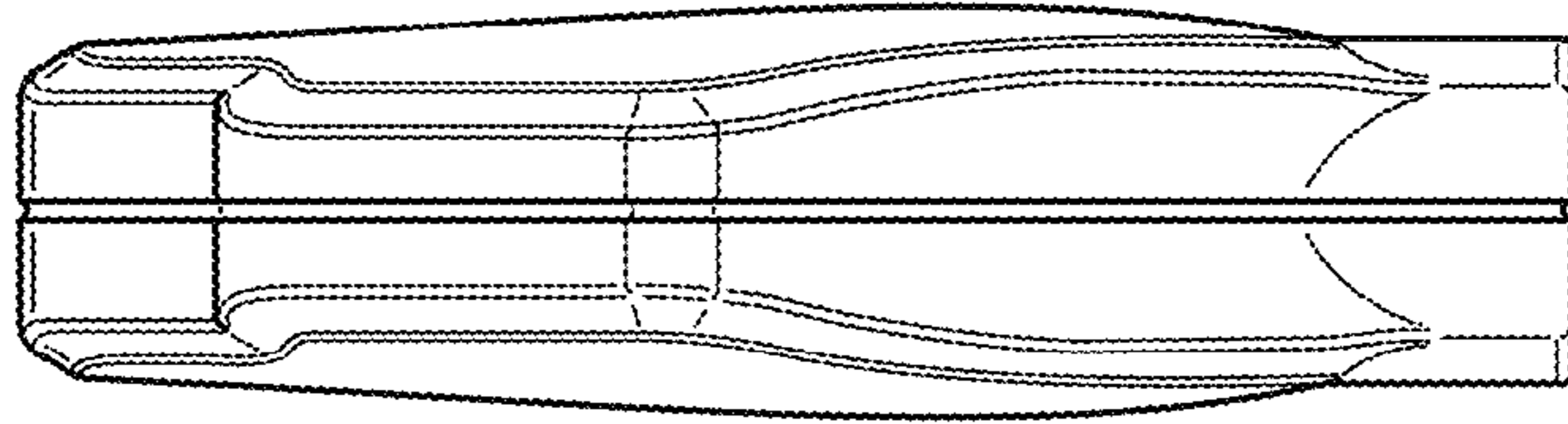


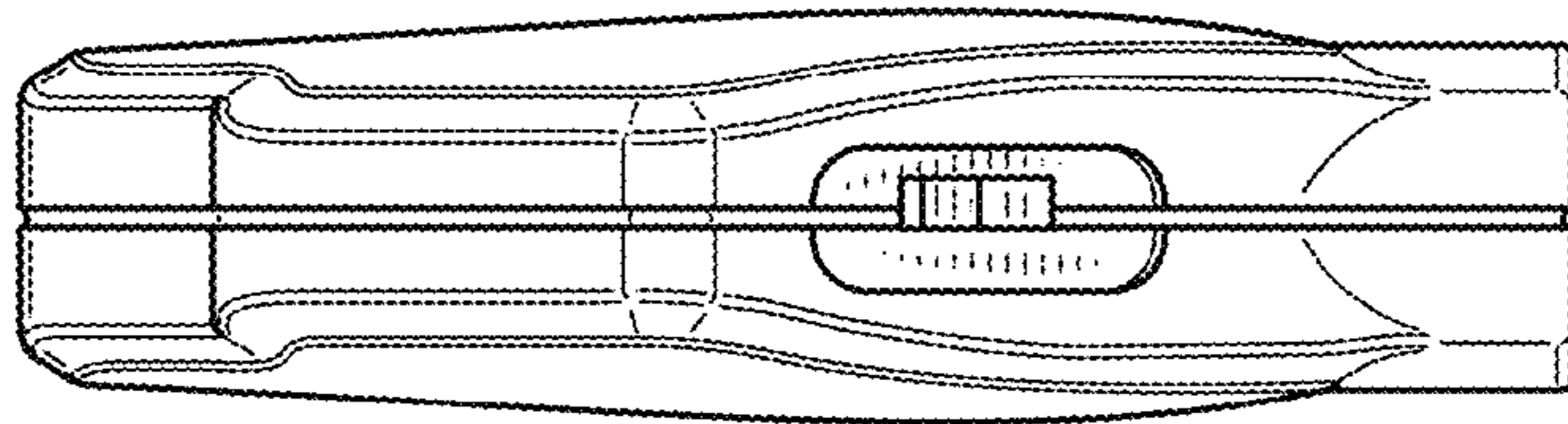
FIG. 2

FIG. 3

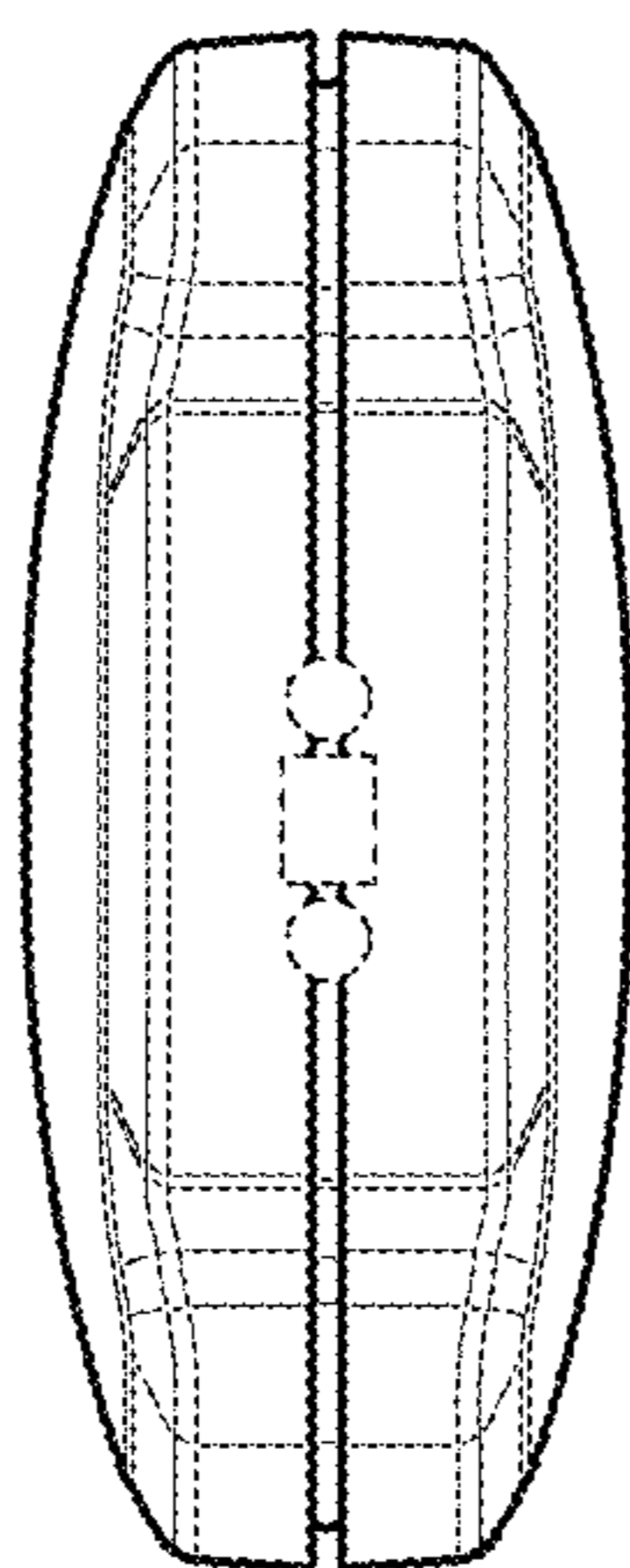




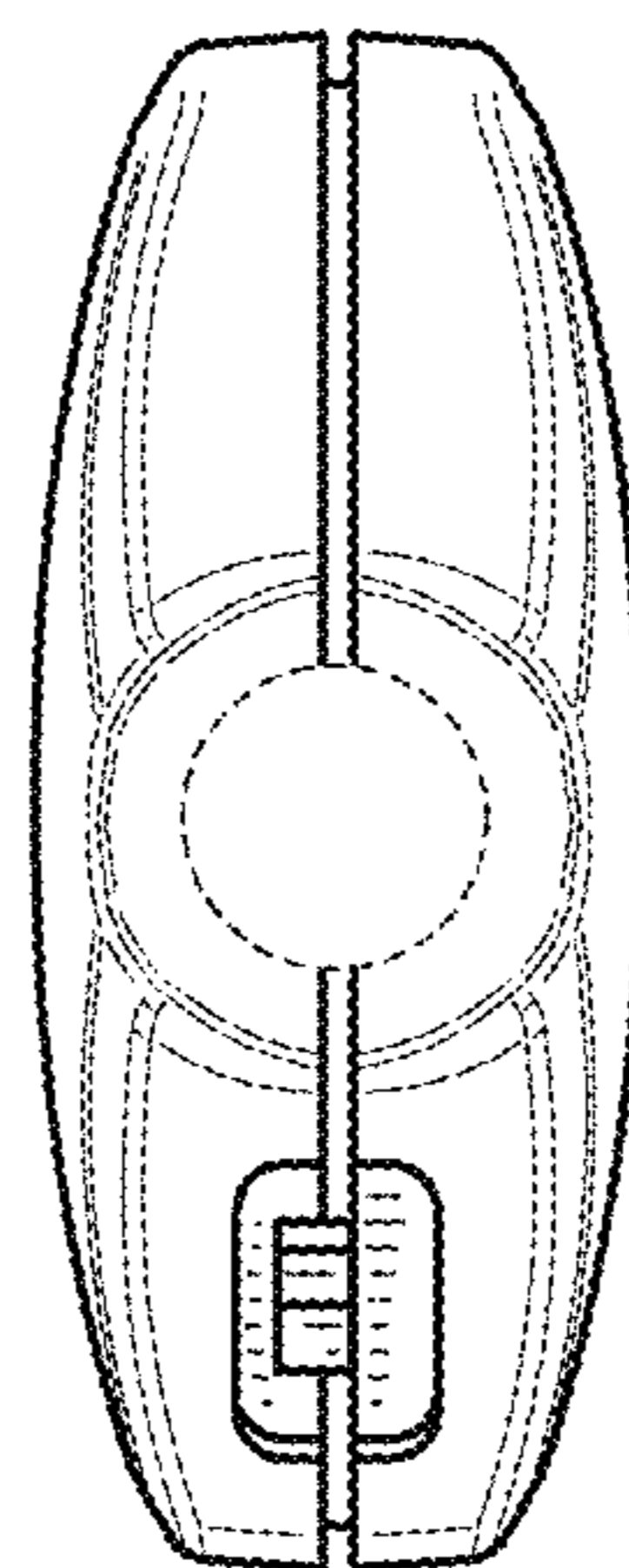
**FIG. 4**



**FIG. 5**



**FIG. 6**



**FIG. 7**