



US00D931455S

(12) **United States Design Patent** (10) **Patent No.:** **US D931,455 S**  
**Wang** (45) **Date of Patent:** **\*\* Sep. 21, 2021**

(54) **TATTOO NEEDLE CARTRIDGE**  
(71) Applicant: **Yiwu Solong Electronic Technology Co., Ltd., Yiwu (CN)**  
(72) Inventor: **Quanyu Wang, Yiwu (CN)**  
(73) Assignee: **Yiwu Solong Electronic Technology Co., Ltd., Yiwu (CN)**  
(\*\*) Term: **15 Years**

10,835,725 B2 \* 11/2020 Xiao ..... A61M 37/0084  
D915,589 S \* 4/2021 Wang ..... D24/144  
2013/0226211 A1 \* 8/2013 Xiao ..... A61M 37/0076  
606/186  
2019/0217072 A1 \* 7/2019 Xiao ..... A61M 37/0084

\* cited by examiner

*Primary Examiner* — Wan Laymon  
(74) *Attorney, Agent, or Firm* — Bay State IP, LLC

(21) Appl. No.: **29/736,078**  
(22) Filed: **May 27, 2020**

**Related U.S. Application Data**

(62) Division of application No. 29/676,031, filed on Jan. 8, 2019, now Pat. No. Des. 899,594.

(51) **LOC (13) Cl.** ..... **24-02**  
(52) **U.S. Cl.**  
USPC ..... **D24/144**  
(58) **Field of Classification Search**  
USPC ..... D24/144, 146, 133  
CPC ..... A61M 37/0076; A61M 37/0084; A61M 37/0092; A61M 5/46; A61M 5/48  
See application file for complete search history.

(56) **References Cited**  
U.S. PATENT DOCUMENTS

D842,468 S \* 3/2019 Juan ..... A61M 37/0076  
D24/144  
D902,402 S \* 11/2020 Wang ..... D24/144

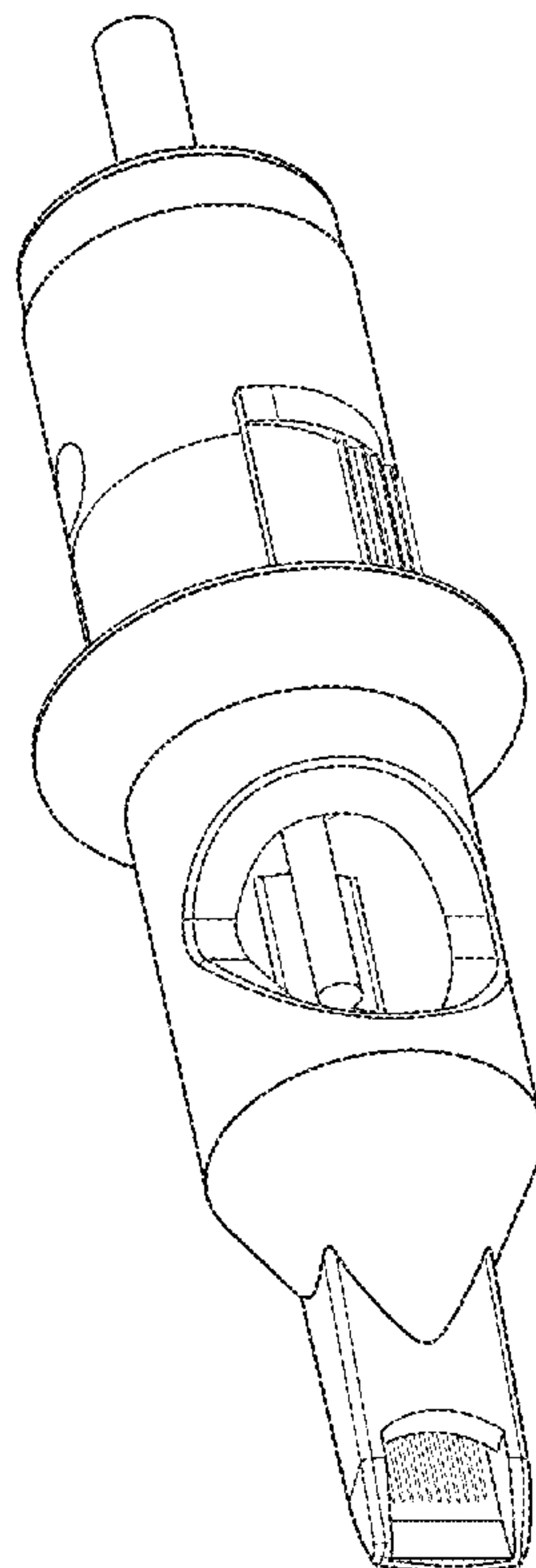
(57) **CLAIM**

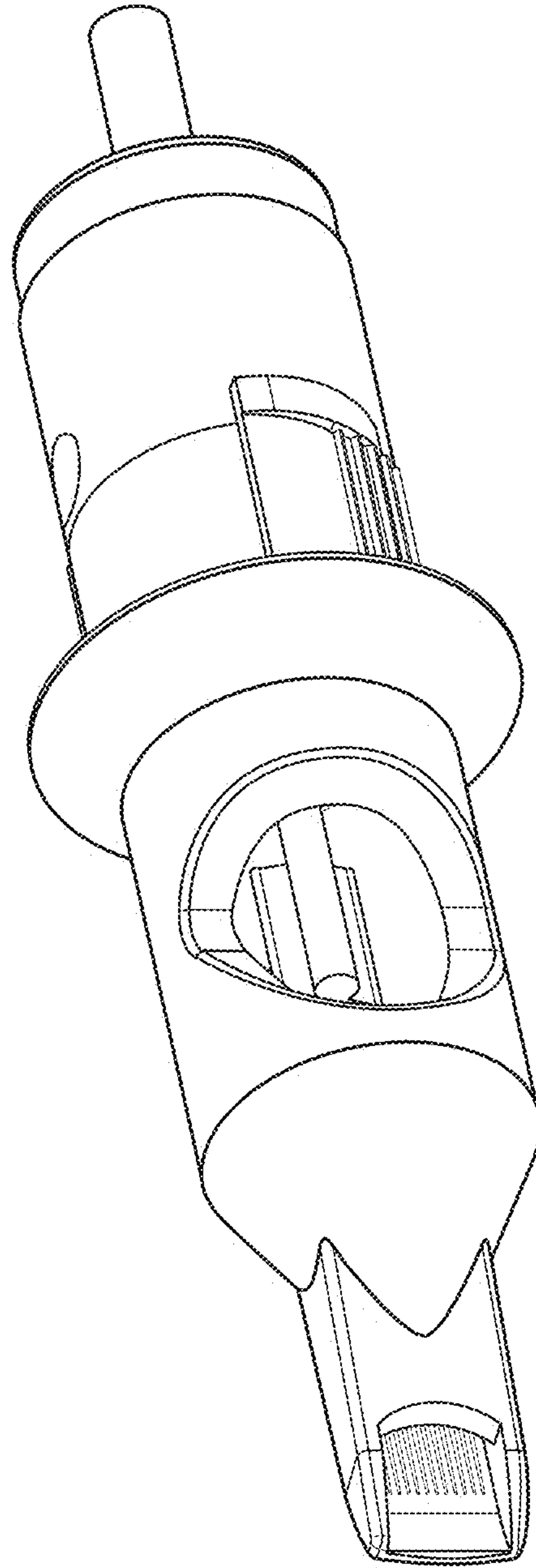
The ornamental design for a tattoo needle cartridge, as shown and described.

**DESCRIPTION**

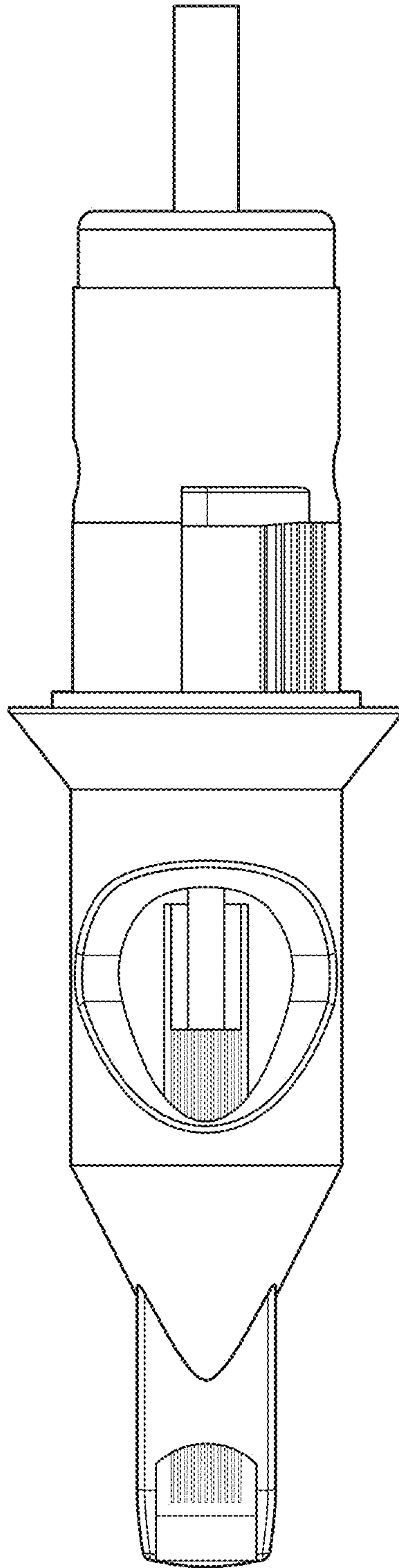
FIG. 1 is a front perspective view of the tattoo needle cartridge;  
FIG. 2 is a front view thereof;  
FIG. 3 is a back view thereof;  
FIG. 4 is an enlarged top view thereof;  
FIG. 5 is an enlarged bottom view thereof;  
FIG. 6 is a left side view thereof; and,  
FIG. 7 is a right side view thereof.  
The broken lines depict portions of the tattoo needle cartridge that form no part of the claimed design.

**1 Claim, 7 Drawing Sheets**

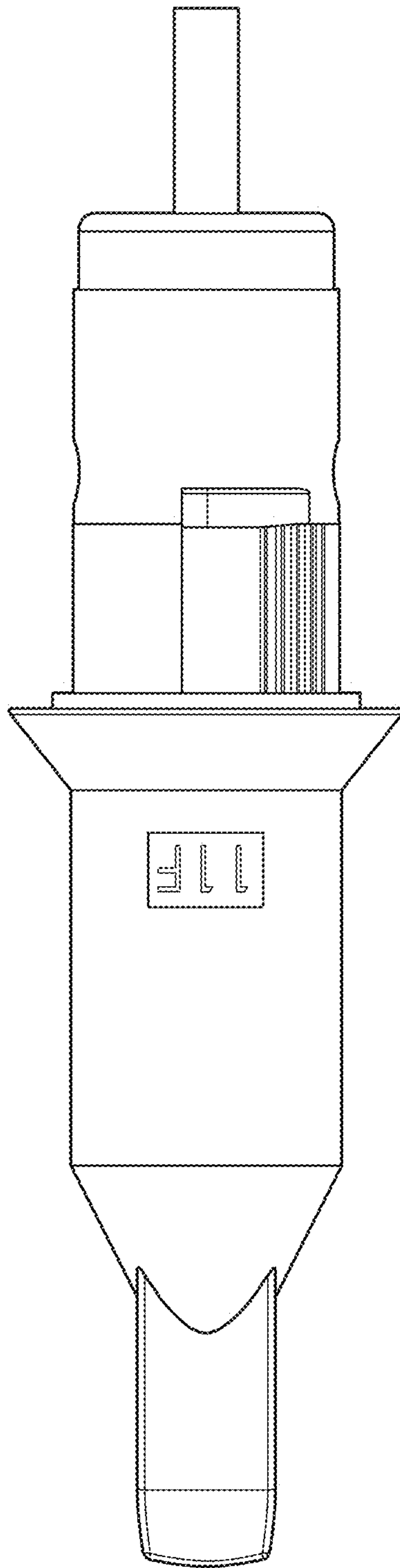




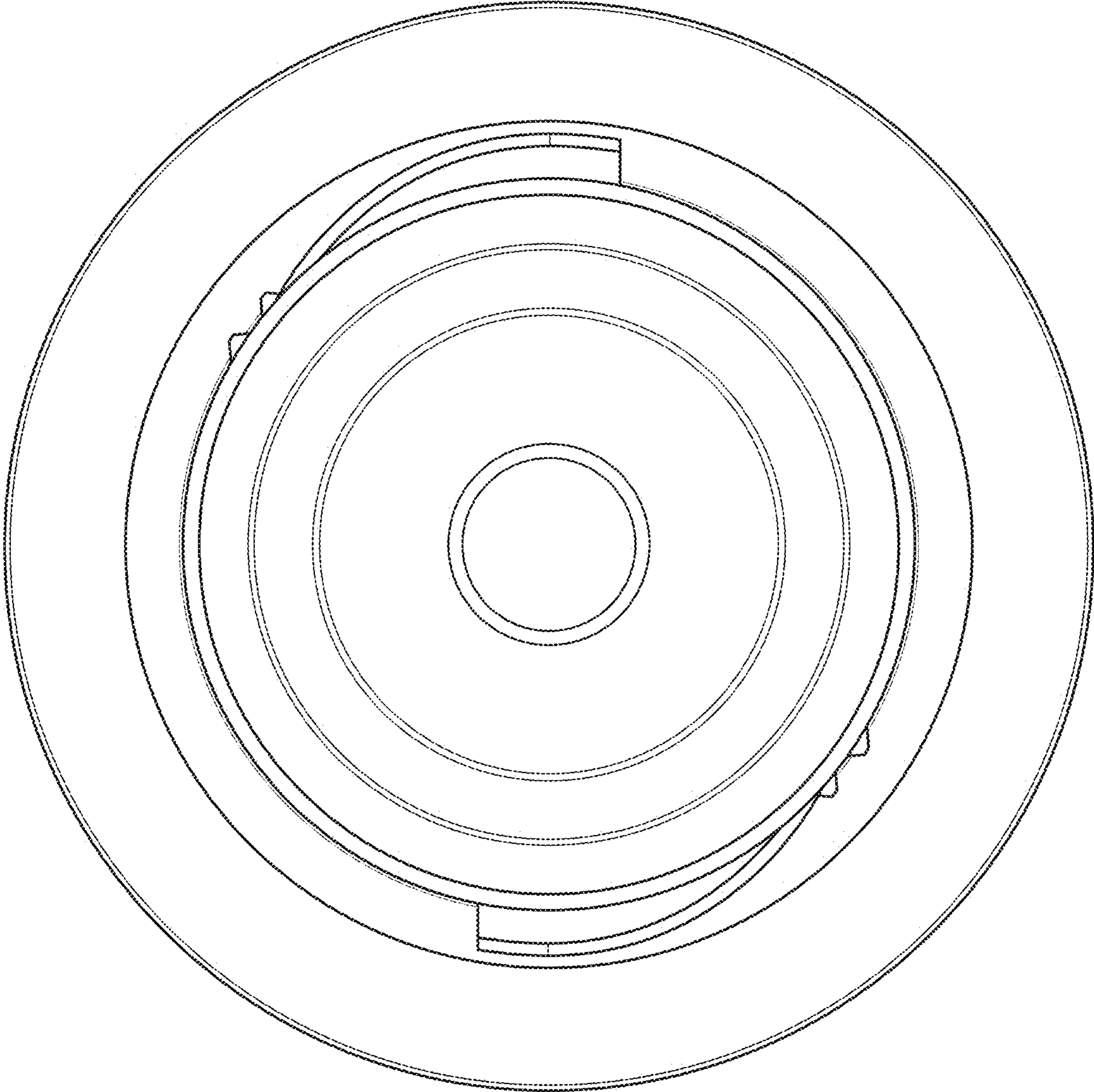
*Fig. 1*



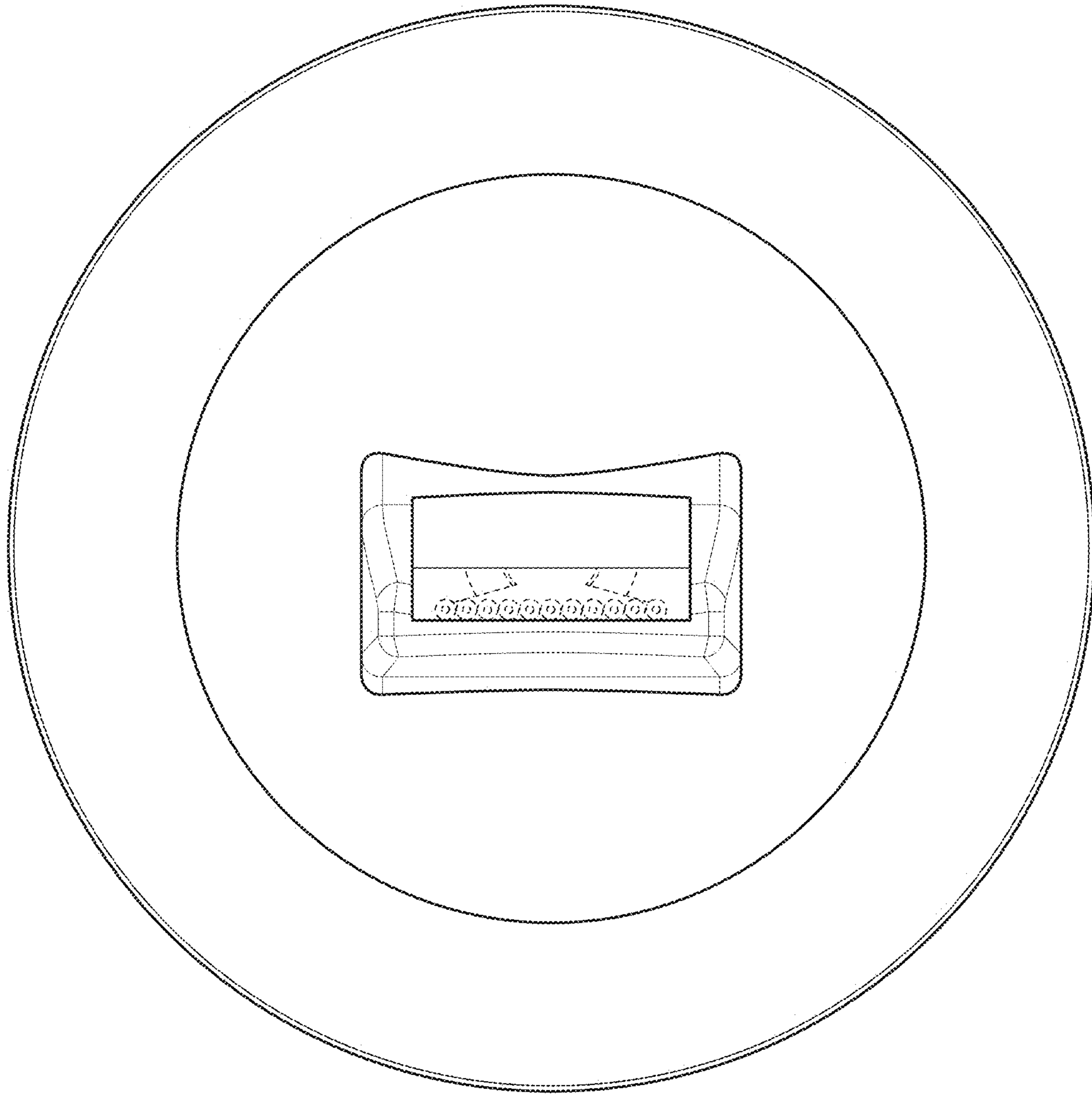
*Fig. 2*



*Fig. 3*

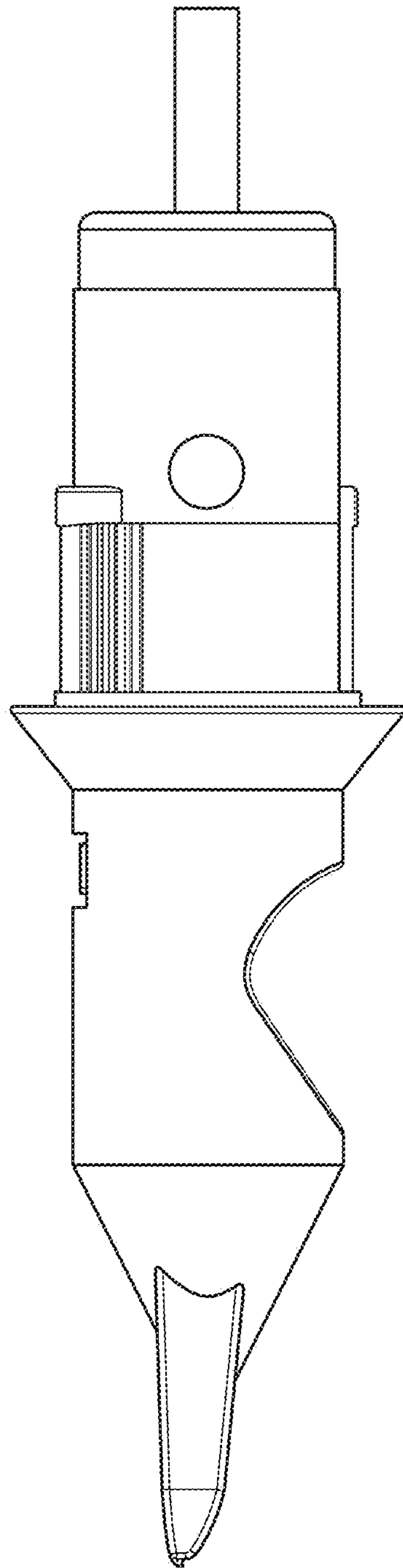


*Fig. 4*

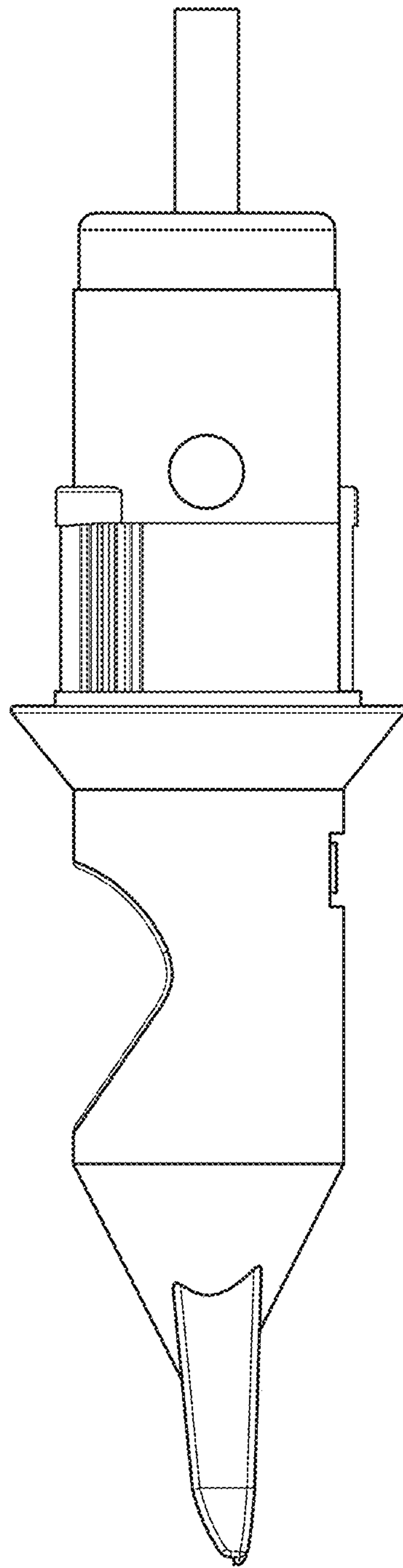


*Fig. 5*





*Fig. 6*



*Fig. 7*