



US00D931453S

(12) **United States Design Patent** (10) **Patent No.:** **US D931,453 S**
Wirth (45) **Date of Patent:** **** Sep. 21, 2021**

(54) **SACROCOLPOPEXY MANIPULATOR**

D765,871 S * 9/2016 Downare D24/211
D819,812 S 6/2018 Schaer et al.
D826,404 S * 8/2018 Baerthele D24/138
D829,808 S 10/2018 Schaer et al.

(Continued)

(71) Applicant: **KARL STORZ SE & Co. KG**,
Tuttlingen (DE)

(72) Inventor: **Franziska Wirth**, Tuttlingen (DE)

(73) Assignee: **KARL STORZ SE & Co. KG**,
Tuttlingen (DE)

(**) Term: **15 Years**

(21) Appl. No.: **29/676,529**

(22) Filed: **Jan. 11, 2019**

(30) **Foreign Application Priority Data**

Jul. 11, 2018 (EM) 005499829-0004

(51) **LOC (13) Cl.** **24-02**

(52) **U.S. Cl.**
USPC **D24/138**

(58) **Field of Classification Search**
USPC D24/108, 112, 117, 118, 130, 133, 134,
D24/135, 137, 138, 144, 215, 314, 149,
D24/222, 140, 141; D30/121; D10/46;
600/131, 562, 101-105; 606/13, 119
CPC . A61B 17/00; A61B 17/4241; A61B 18/1485;
A61B 90/50; A61B 90/39; A61M 25/0068
See application file for complete search history.

(56) **References Cited**

U.S. PATENT DOCUMENTS

D310,492 S * 9/1990 Taylor 434/22
D445,495 S * 7/2001 Schaefer D24/108
D672,462 S * 12/2012 Campo D24/138
D674,090 S * 1/2013 Campo D24/138
8,708,977 B2 * 4/2014 Bressler A61M 25/0637
604/177
9,011,433 B2 * 4/2015 Batchelor A61B 18/1485
606/41
D755,375 S * 5/2016 Stammberger D24/135

OTHER PUBLICATIONS

U.S. Appl. No. 29/580,972, filed Oct. 14, 2016, Schaer et al.

Primary Examiner — Manpreet S Matharu
Assistant Examiner — Yolanda Robinson

(74) *Attorney, Agent, or Firm* — Muncy, Geissler, Olds & Lowe, P.C.

(57) **CLAIM**

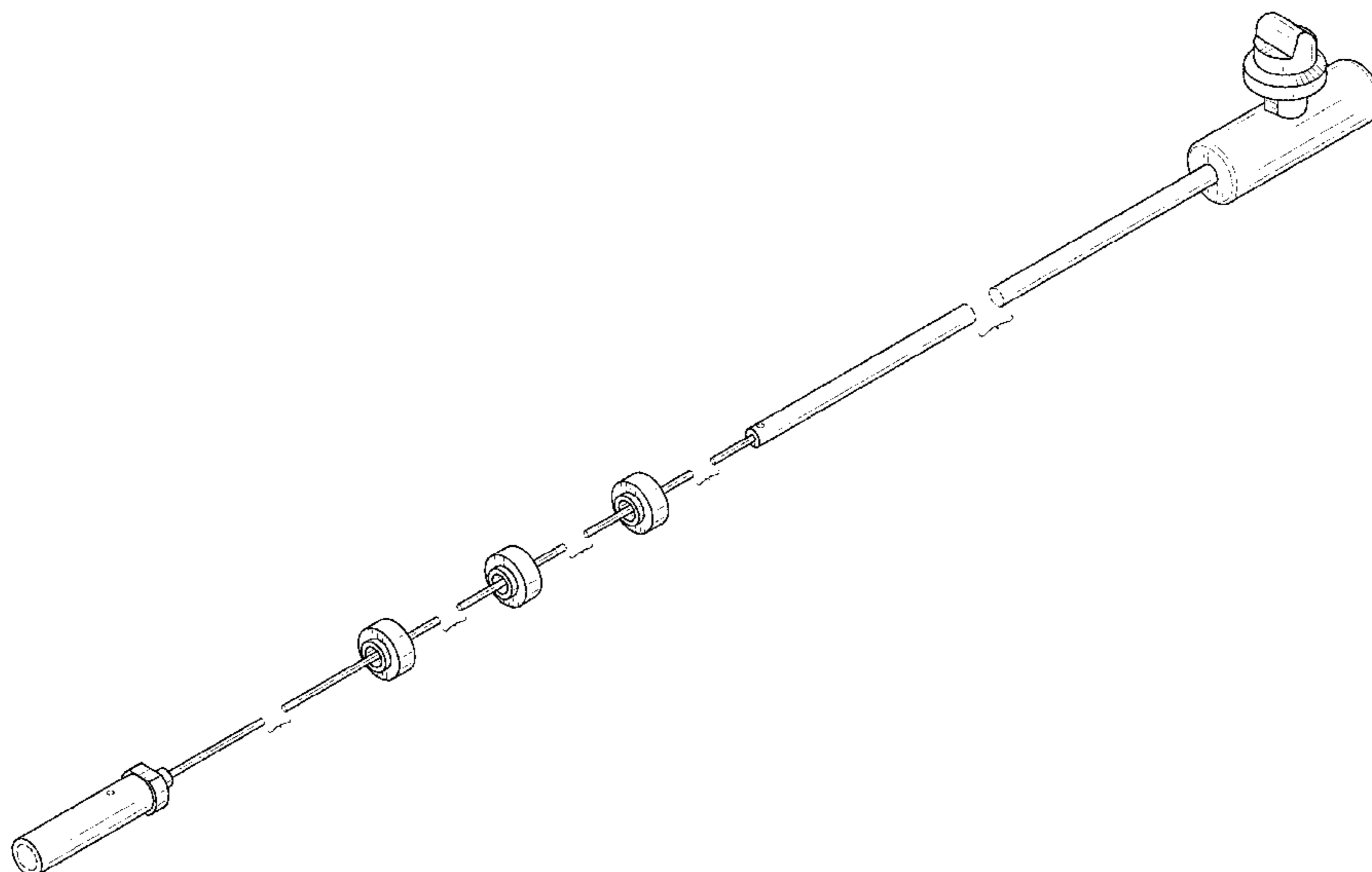
The ornamental design for a sacrocolpopexy manipulator, as shown and described.

DESCRIPTION

FIG. 1 is a front perspective view of a sacrocolpopexy manipulator according to the present invention. FIG. 2 is a front view of the sacrocolpopexy manipulator of FIG. 1. FIG. 3 is a rear view of the sacrocolpopexy manipulator of FIG. 1. FIG. 4 is a left side view of the sacrocolpopexy manipulator of FIG. 1. FIG. 5 is a right side view of the sacrocolpopexy manipulator of FIG. 1. FIG. 6 is a top view of the sacrocolpopexy manipulator of FIG. 1; and, FIG. 7 is a bottom view of the sacrocolpopexy manipulator of FIG. 1.

The broken lines illustrate portions of the sacrocolpopexy manipulator that form no part of the claimed design. The sacrocolpopexy manipulator is shown with symbolic breaks. The appearance of any portion of the article between the break lines form no part of the claimed design.

1 Claim, 7 Drawing Sheets



(56)

References Cited

U.S. PATENT DOCUMENTS

D844,697 S * 4/2019 Han D18/6
D857,890 S * 8/2019 Schaer D24/138
D858,751 S * 9/2019 Fischman D24/112
2001/0039399 A1* 11/2001 Bierman A61M 25/02
604/180
2007/0016147 A1* 1/2007 Bressler A61M 25/0631
604/263
2018/0235441 A1* 8/2018 Huang A61B 1/317
2019/0125631 A1* 5/2019 Allyn A61B 1/0676
2019/0254507 A1* 8/2019 Zhang A61B 1/00066
2019/0321019 A1* 10/2019 Novell A61M 1/0058

* cited by examiner

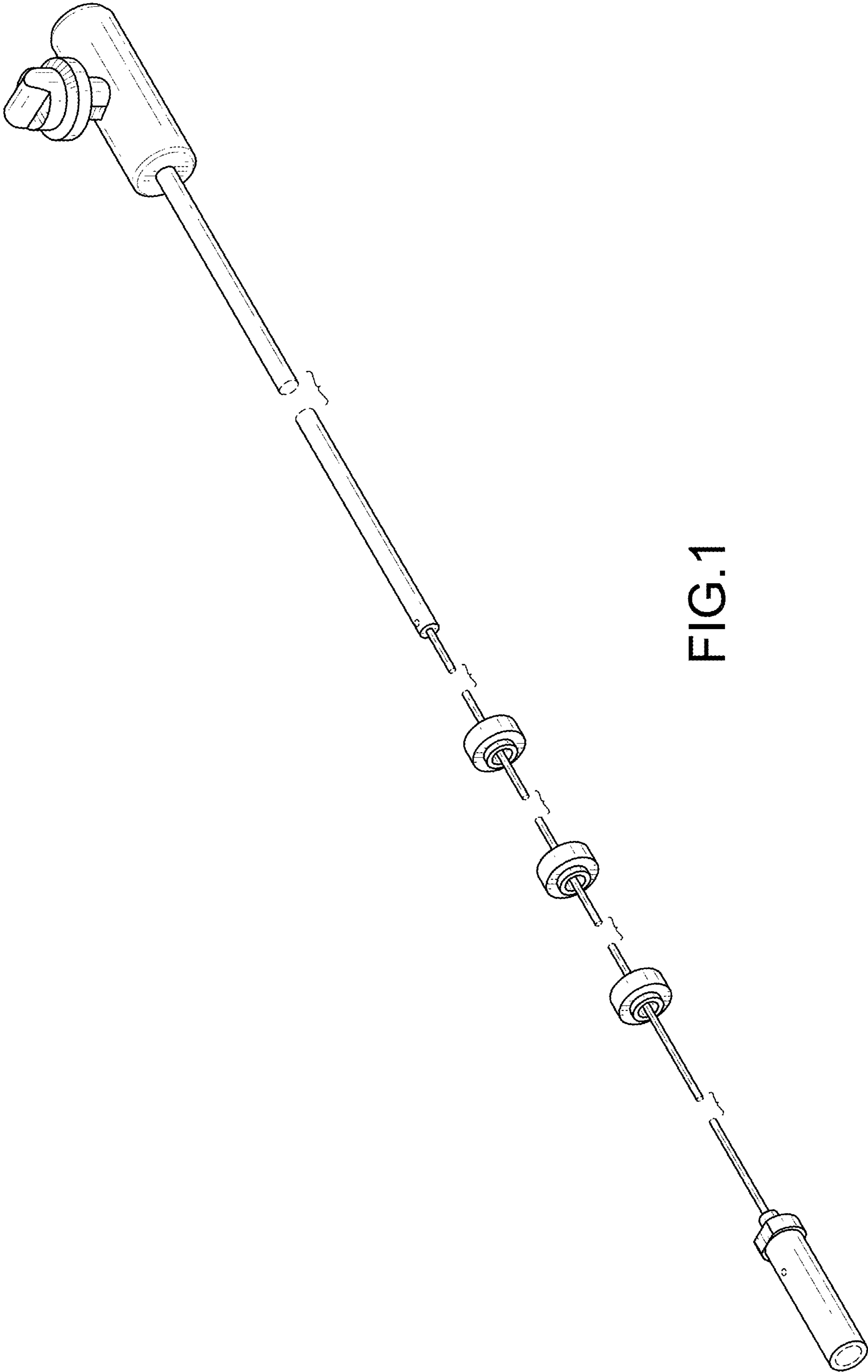


FIG.1

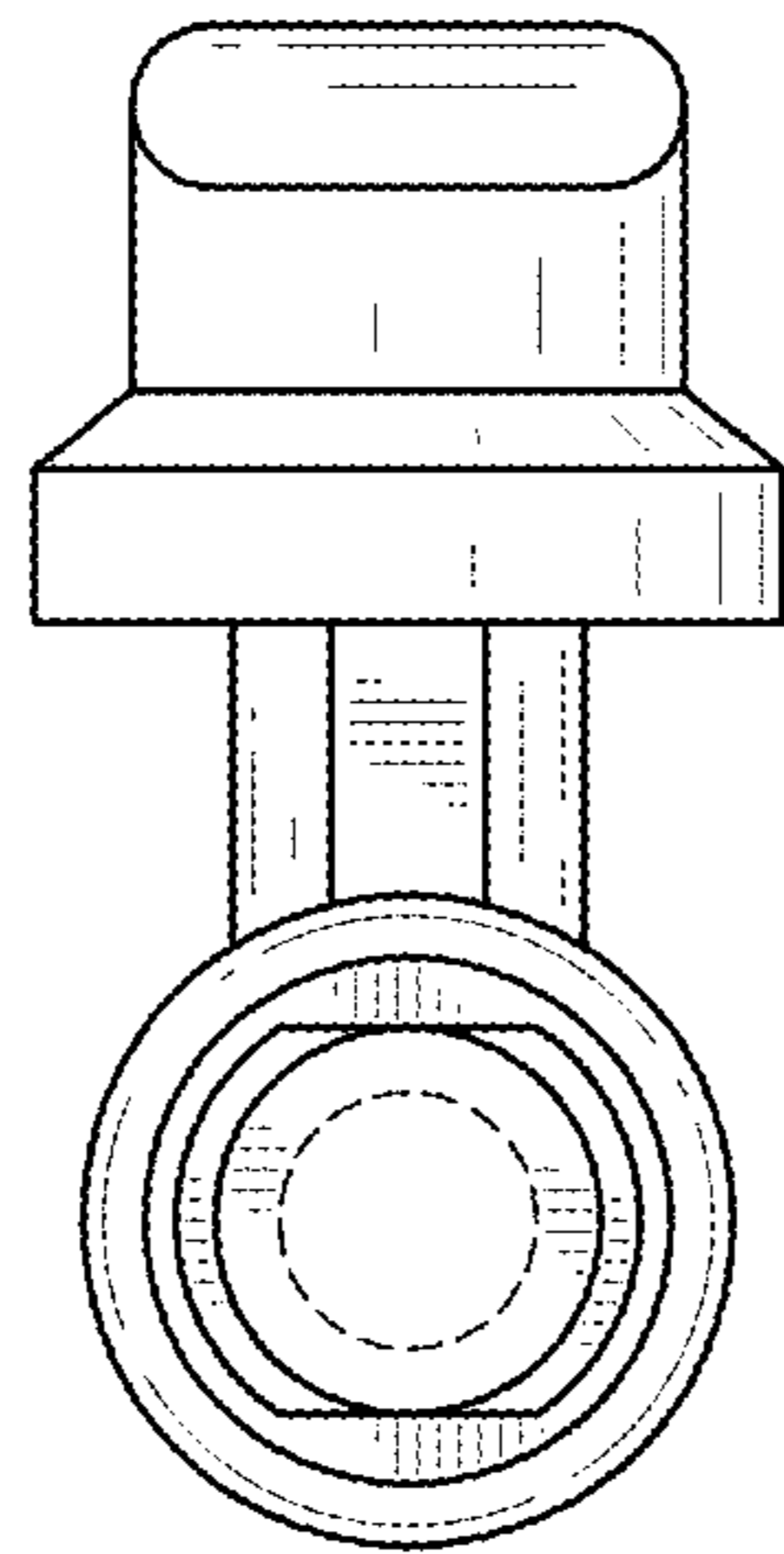


FIG.2

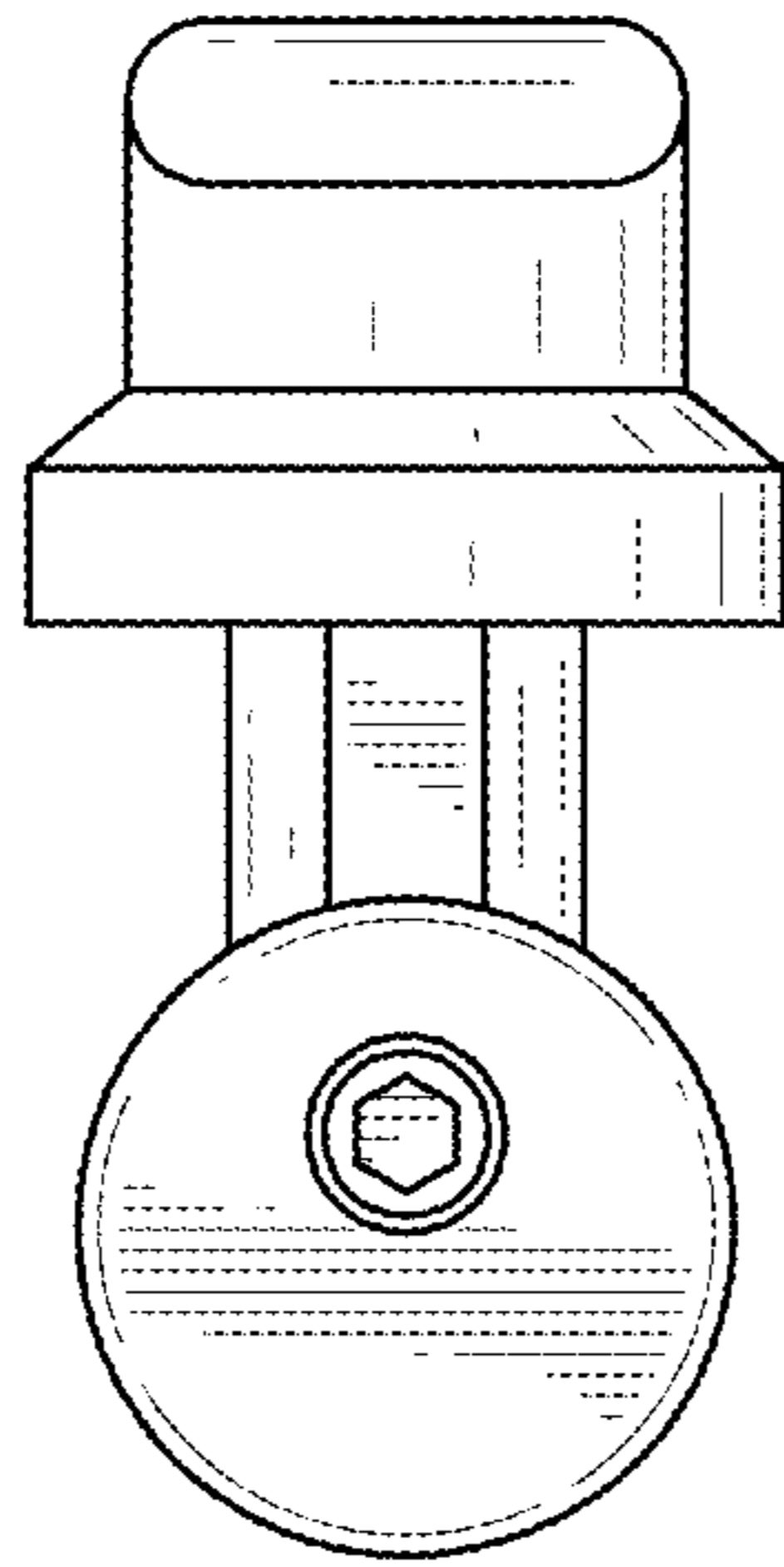


FIG.3

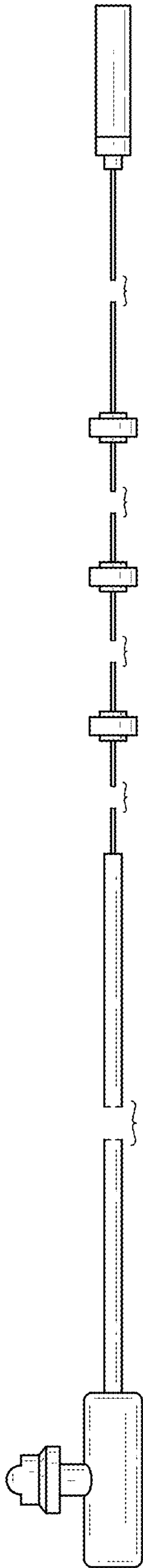


FIG.4

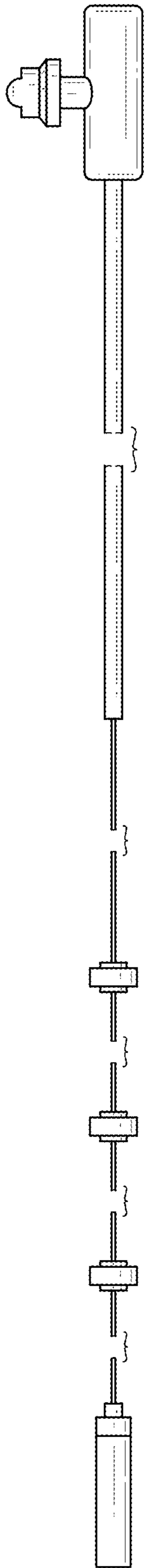


FIG.5

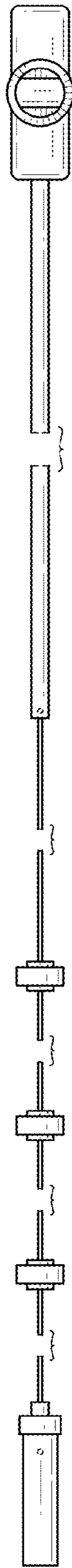


FIG.6

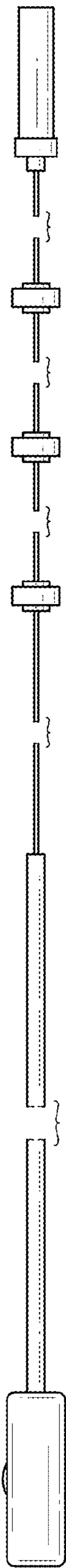


FIG.7