



US00D931452S

(12) **United States Design Patent**  
**Baba et al.**

(10) **Patent No.:** **US D931,452 S**  
(45) **Date of Patent:** **\*\* \*Sep. 21, 2021**

(54) **CONTAINER FOR ENDOSCOPE DRAPE**

(71) Applicant: **DEXERIALS CORPORATION,**  
Tokyo (JP)

(72) Inventors: **Yukihisa Baba,** Chiba (JP); **Akihiro Fukuda,** Tochigi (JP)

(73) Assignee: **DEXERIALS CORPORATION,**  
Tokyo (JP)

(\*) Notice: This patent is subject to a terminal disclaimer.

(\*\*) Term: **15 Years**

(21) Appl. No.: **29/592,225**

(22) Filed: **Jan. 27, 2017**

(30) **Foreign Application Priority Data**

Jul. 28, 2016 (JP) ..... 2016-016190

(51) **LOC (13) Cl.** ..... **24-02**

(52) **U.S. Cl.**  
USPC ..... **D24/138**

(58) **Field of Classification Search**  
USPC ..... D24/137-138, 108, 222, 117-118, 133,  
D24/135; D16/136; 600/112, 122, 125,  
600/136; 359/510, 507; 206/438, 316.1;  
128/898  
CPC .. A61B 1/00; A61B 1/04; A61B 19/08; G02B  
27/00

See application file for complete search history.

(56) **References Cited**

**U.S. PATENT DOCUMENTS**

4,522,196 A \* 6/1985 Cunningham ..... A61B 1/00142  
359/511  
5,274,500 A \* 12/1993 Dunn ..... A61B 1/042  
206/316.1

5,311,358 A \* 5/1994 Pederson ..... A61B 46/10  
206/316.1  
5,325,846 A \* 7/1994 Szabo ..... A61B 1/00142  
206/303  
5,467,223 A \* 11/1995 Cleveland, Jr. .... G02B 21/0012  
359/510  
5,498,230 A \* 3/1996 Adair ..... A61B 1/042  
600/112  
5,591,119 A \* 1/1997 Adair ..... A61B 1/00126  
396/17  
5,682,264 A \* 10/1997 Cleveland ..... G02B 21/24  
206/316.1

(Continued)

*Primary Examiner* — Manpreet S Matharu

*Assistant Examiner* — Yolanda Robinson

(74) *Attorney, Agent, or Firm* — Paratus Law Group,  
PLLC

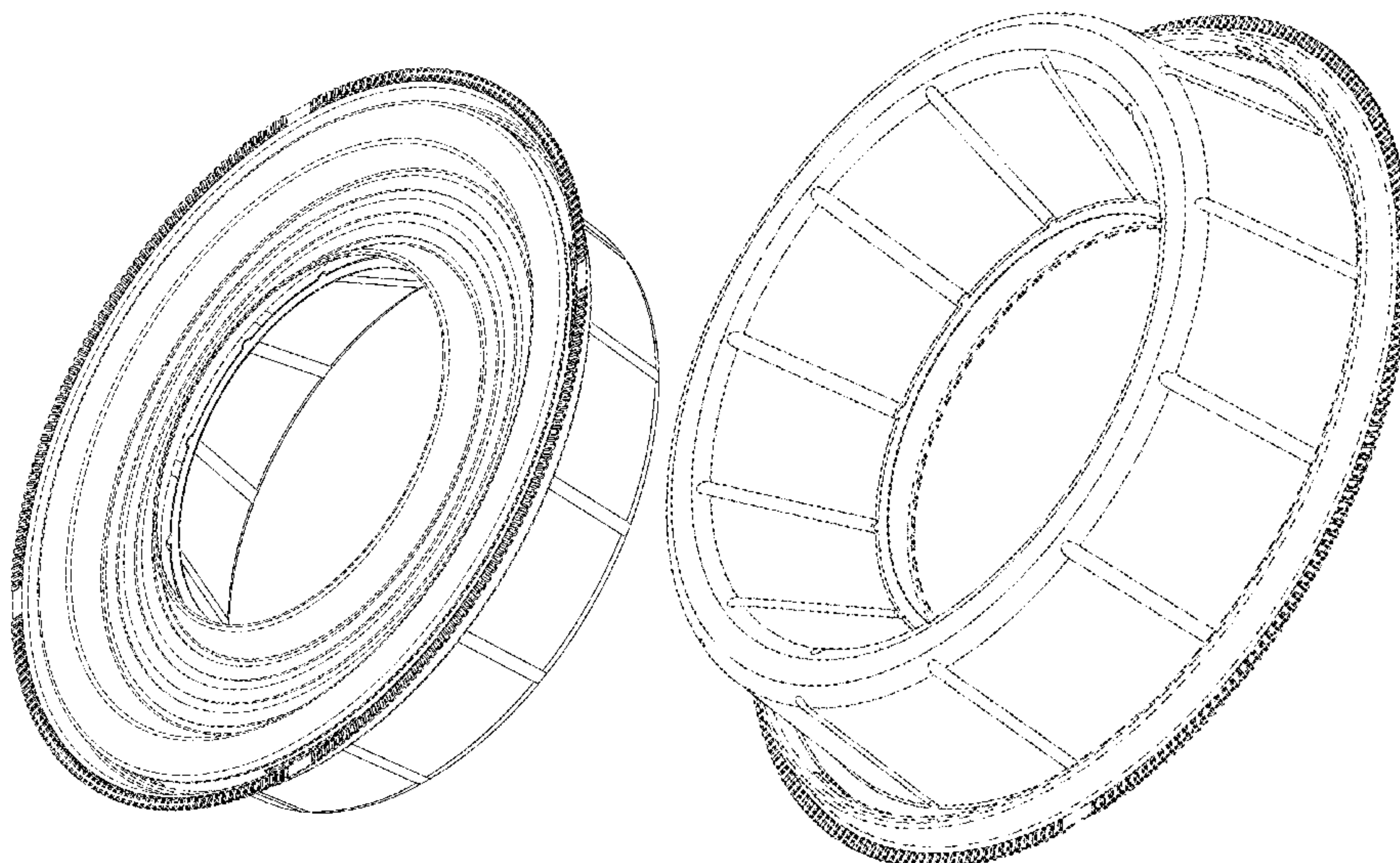
(57) **CLAIM**

The ornamental design for a container for endoscope drape,  
as shown and described.

**DESCRIPTION**

FIG. 1 is a front view of a container for endoscope drape showing our new design;  
FIG. 2 is a back view thereof;  
FIG. 3 is a right side view thereof;  
FIG. 4 is a left side view thereof;  
FIG. 5 is a plain view thereof;  
FIG. 6 is a bottom view thereof;  
FIG. 7 is an A-A' Sectional view thereof;  
FIG. 8 is a B-B' partial enlarged view thereof;  
FIG. 9 is a partial A-A' section end view of left and right portions thereof with a center portion removed;  
FIG. 10 is a C-C' partial enlarged view thereof;  
FIG. 11 is a front perspective view thereof;  
FIG. 12 is a back perspective view thereof; and,  
FIG. 13 is a B-B sectional view thereof.  
The broken lines are used for environmental purposes only and form no part of the claimed design.

**1 Claim, 13 Drawing Sheets**



(56)

**References Cited**

U.S. PATENT DOCUMENTS

5,876,328 A \* 3/1999 Fox ..... A61B 46/10  
600/121  
8,074,657 B2 \* 12/2011 Scott ..... A61B 46/10  
128/846  
8,864,320 B2 \* 10/2014 Chua ..... G02B 27/0006  
359/510  
D758,577 S \* 6/2016 Moskowitz ..... D24/138  
D770,552 S \* 11/2016 Radl ..... D16/130  
D824,763 S \* 8/2018 Suess ..... D9/454  
D833,508 S \* 11/2018 Overall ..... D16/219  
D839,943 S \* 2/2019 Geller ..... D16/131  
D840,457 S \* 2/2019 Geller ..... D16/131  
2002/0133058 A1 \* 9/2002 Calderwood ..... A61B 1/00142  
600/122  
2005/0094269 A1 \* 5/2005 Moses ..... A61B 46/10  
359/510  
2011/0155145 A1 \* 6/2011 Chua ..... G02B 27/0006  
128/849  
2013/0298915 A1 \* 11/2013 Chua ..... G02B 27/0006  
128/849  
2015/0002937 A1 \* 1/2015 Chua ..... G02B 27/0006  
359/510  
2018/0358870 A1 \* 12/2018 Kawanami ..... H02K 7/14  
2019/0069765 A1 \* 3/2019 Niino ..... A61B 1/00142

\* cited by examiner



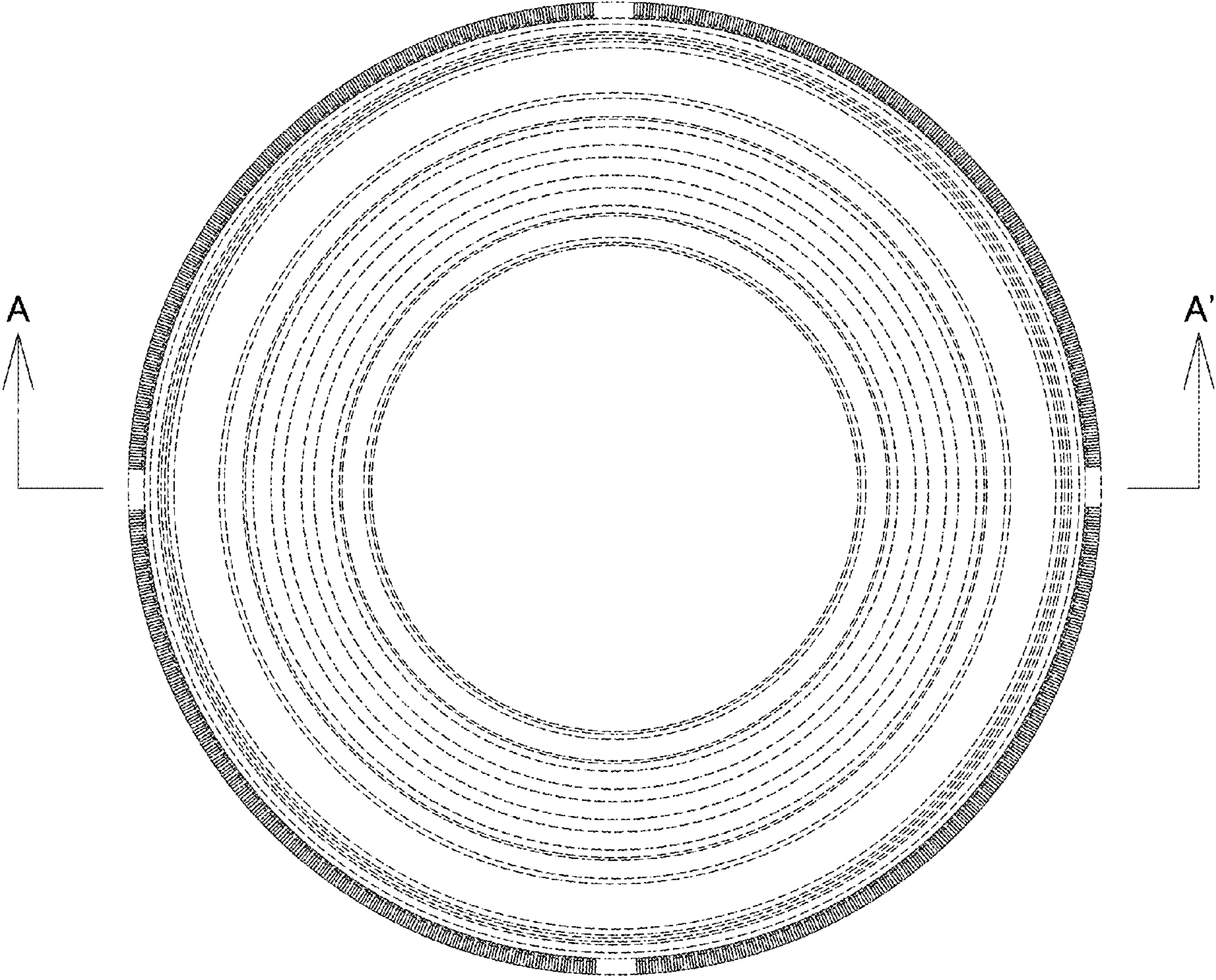


FIG. 1

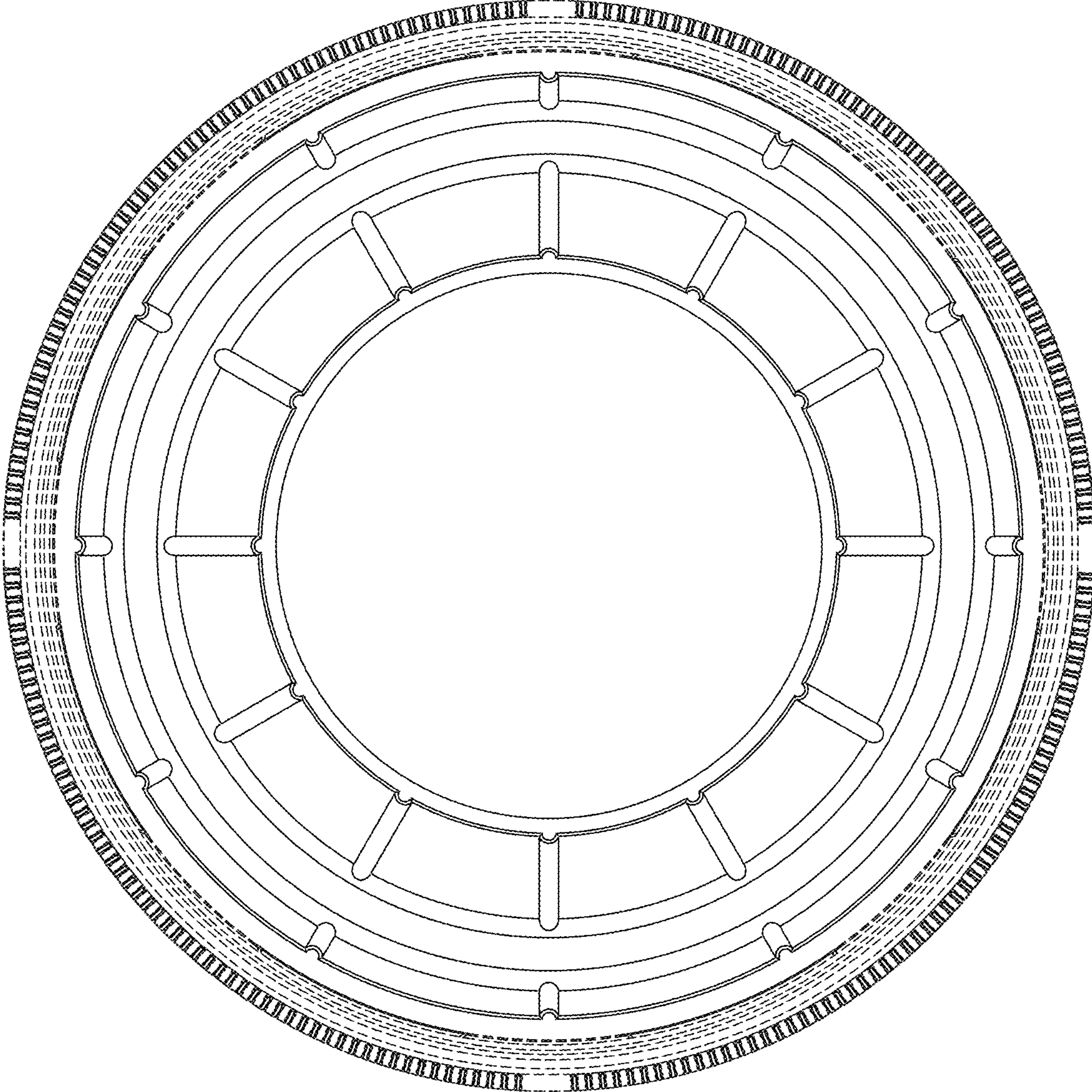


FIG. 2

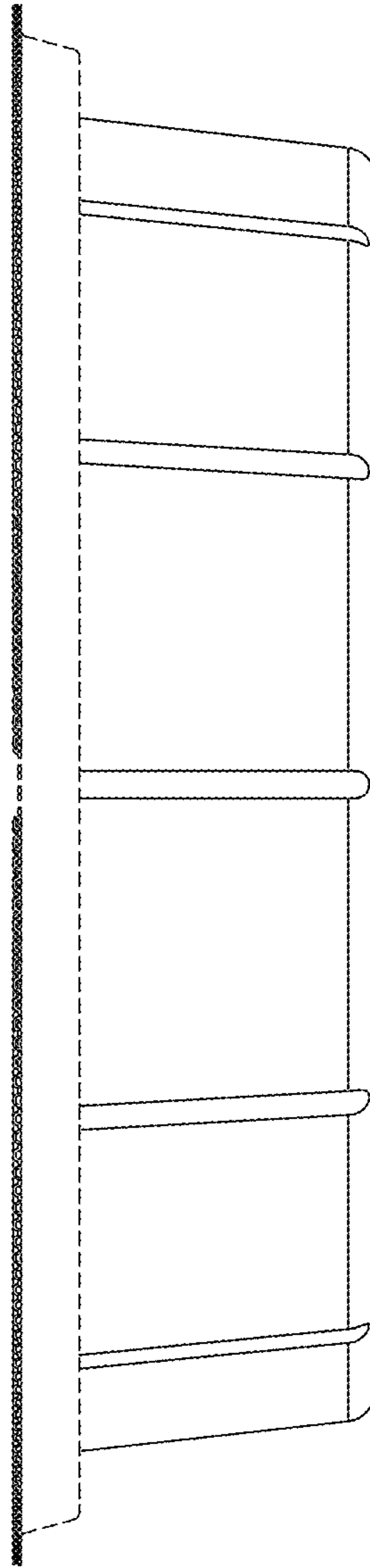


FIG. 3

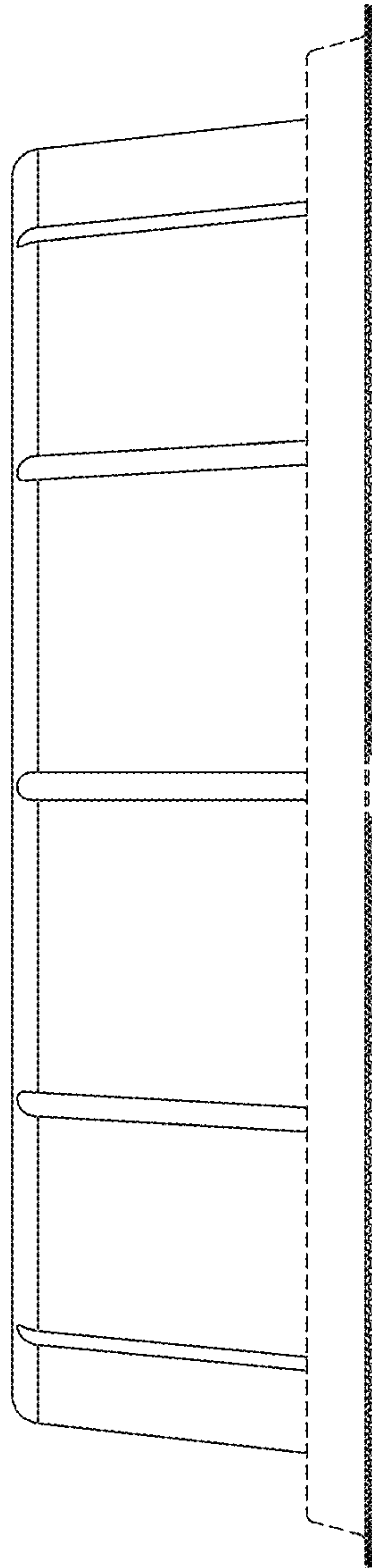


FIG. 4



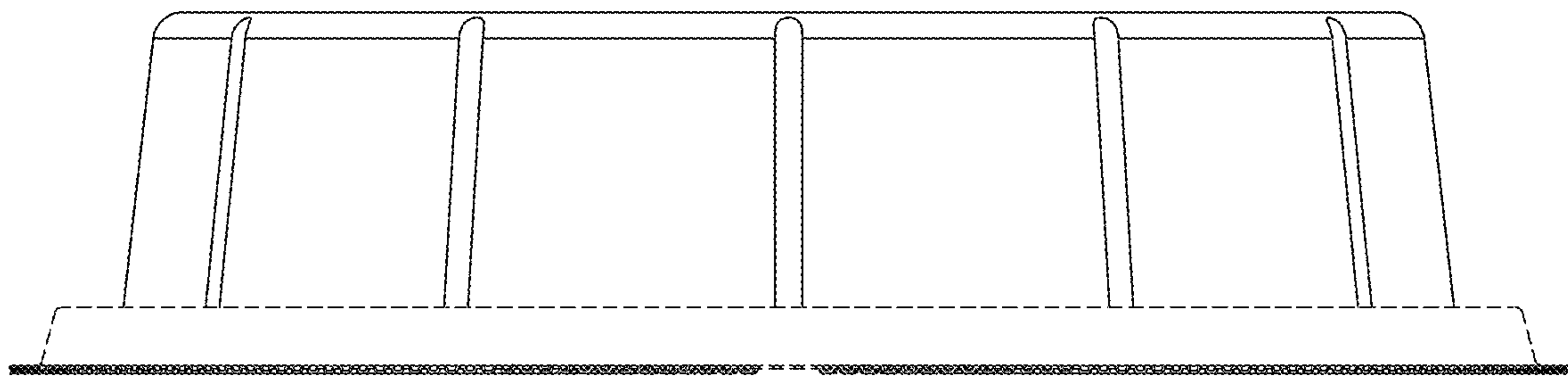


FIG. 5

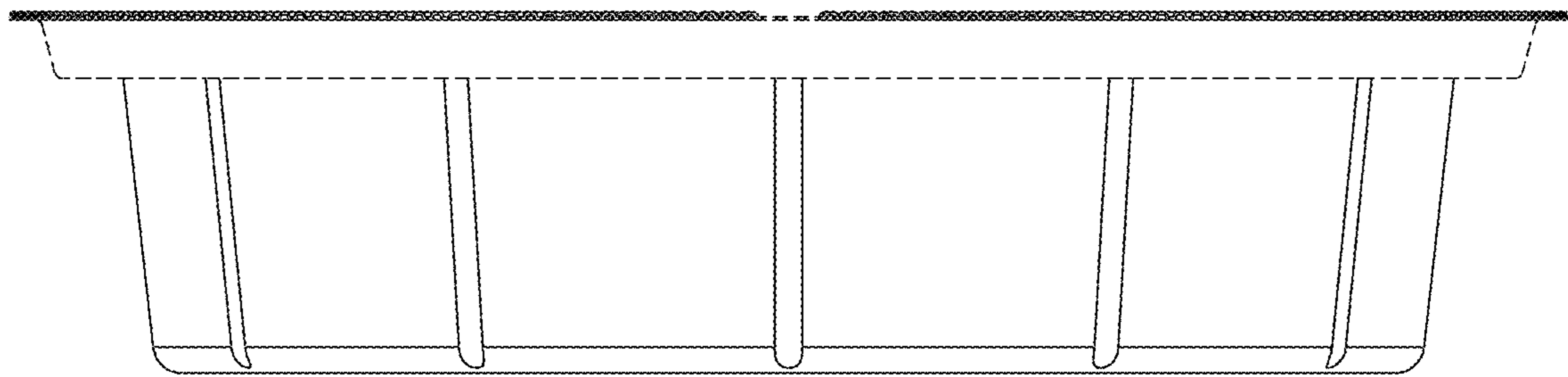


FIG. 6



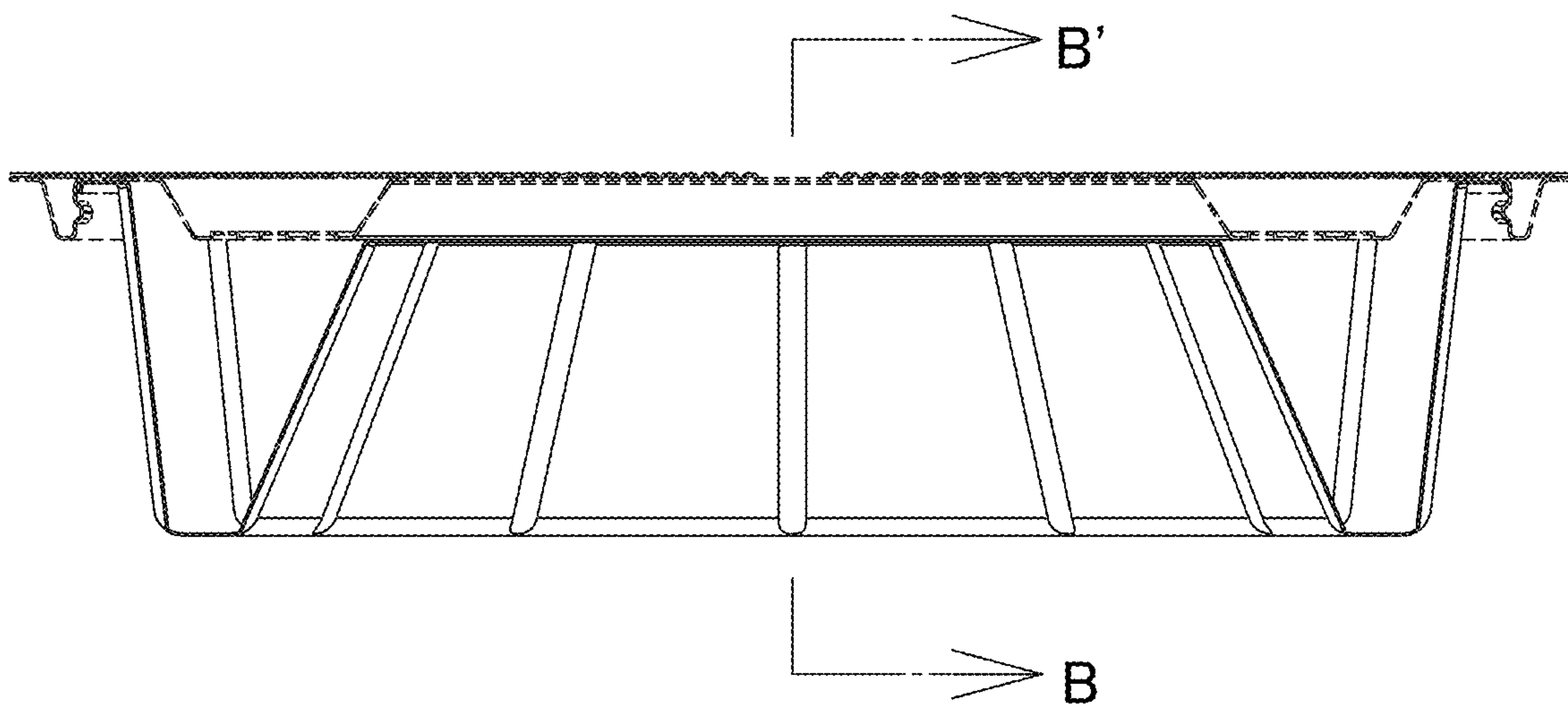


FIG. 7

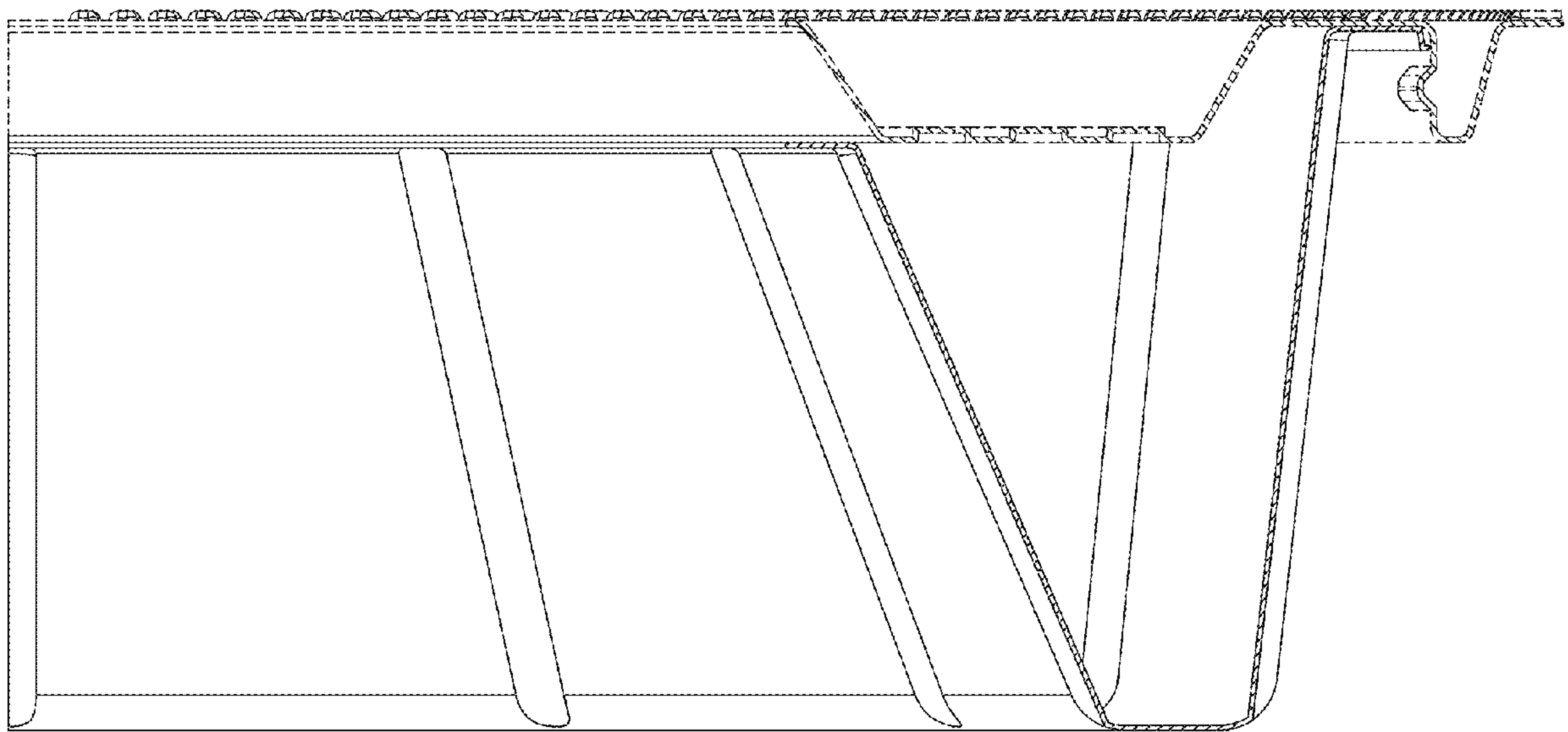


FIG. 8



FIG. 9

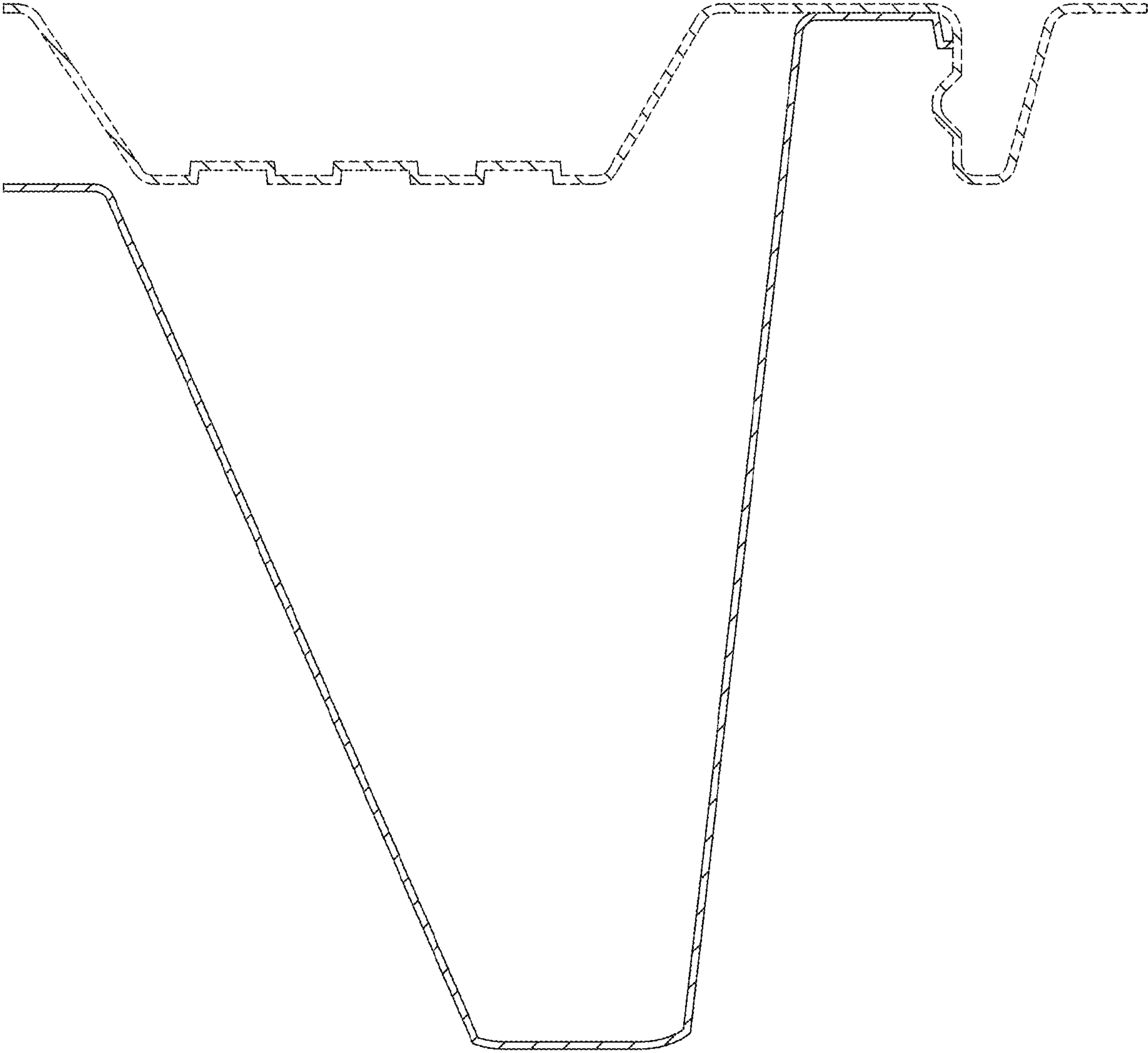


FIG. 10



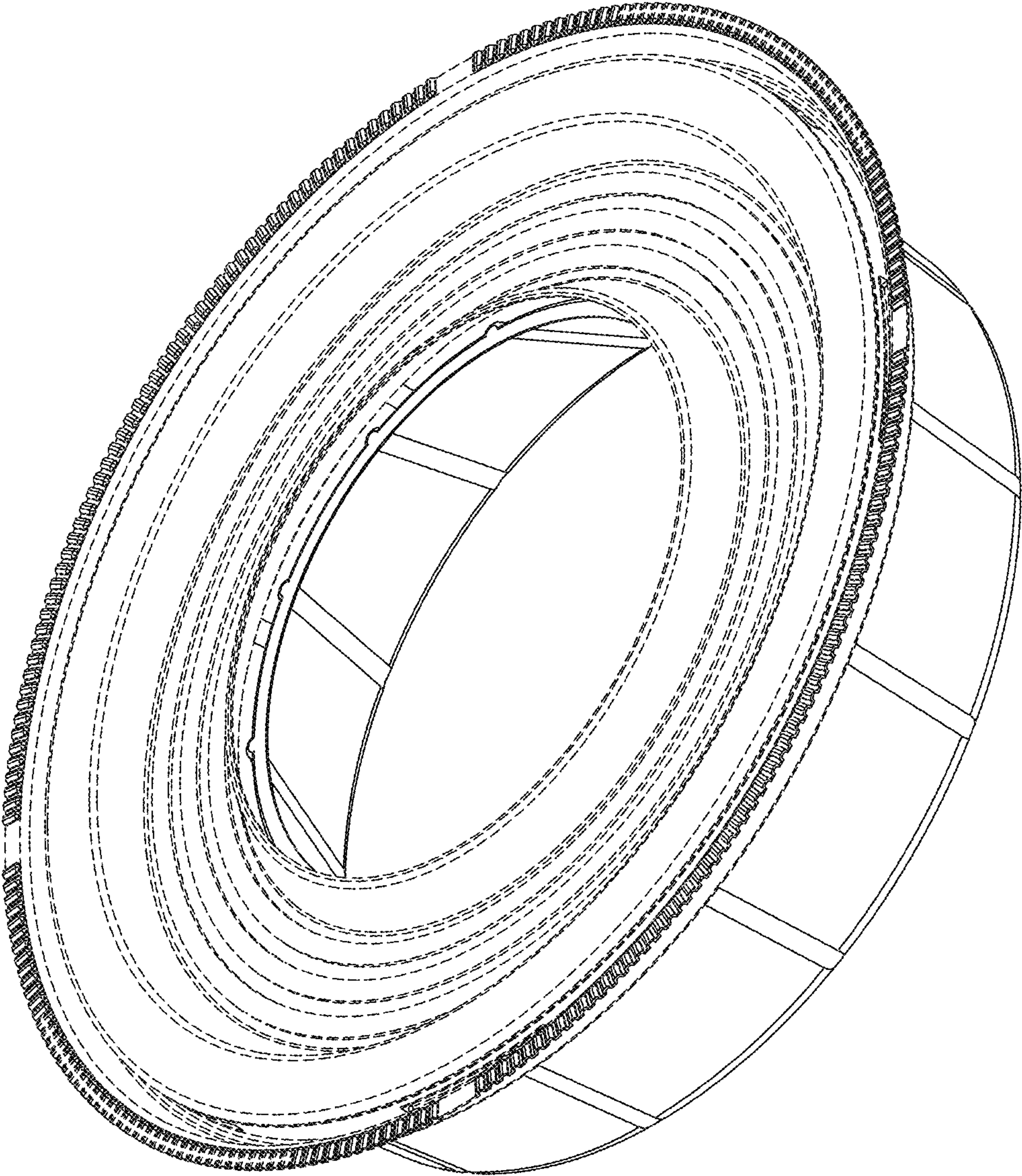


FIG. 11

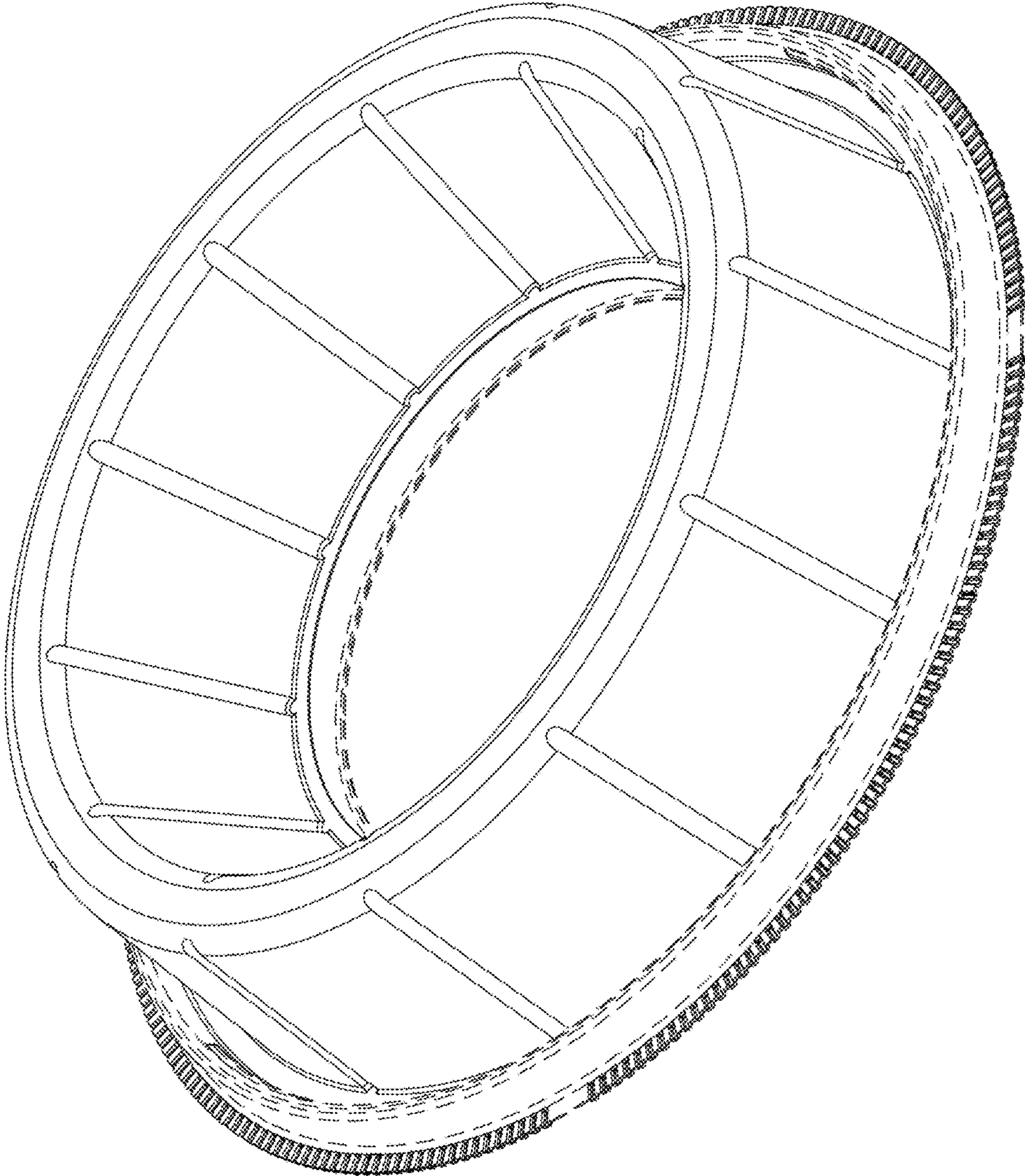


FIG. 12

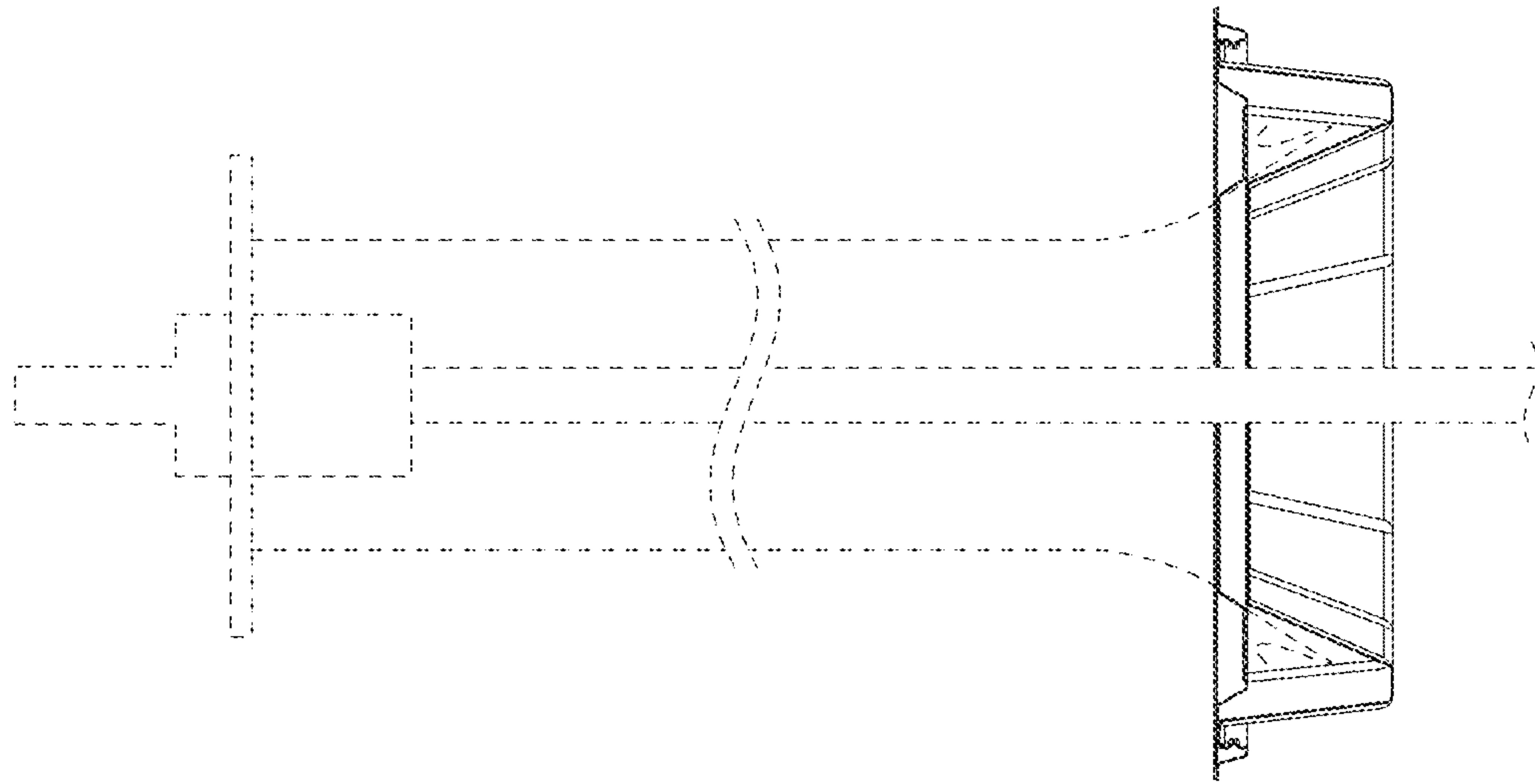


FIG. 13