



US00D931450S

(12) **United States Design Patent**
Baba et al.

(10) **Patent No.:** **US D931,450 S**
(45) **Date of Patent:** **** *Sep. 21, 2021**

(54) **CONTAINER FOR ENDOSCOPE DRAPE**

5,467,223 A * 11/1995 Cleveland, Jr. G02B 21/0012
359/510

(71) Applicant: **DEXERIALS CORPORATION,**
Tokyo (JP)

5,498,230 A * 3/1996 Adair A61B 1/042
600/112

(72) Inventors: **Yukihisa Baba,** Chiba (JP); **Akihiro**
Fukuda, Tochigi (JP)

5,591,119 A * 1/1997 Adair A61B 1/00126
396/17

(73) Assignee: **DEXERIALS CORPORATION,**
Tokyo (JP)

5,682,264 A * 10/1997 Cleveland G02B 21/24
206/316.1

5,876,328 A * 3/1999 Fox A61B 46/10
600/121

(Continued)

(*) Notice: This patent is subject to a terminal disclaimer.

Primary Examiner — Manpreet S Matharu

Assistant Examiner — Yolanda Robinson

(**) Term: **15 Years**

(74) *Attorney, Agent, or Firm* — Paratus Law Group,
PLLC

(21) Appl. No.: **29/592,167**

(57) **CLAIM**

(22) Filed: **Jan. 27, 2017**

The ornamental design for a container for endoscope drape,
as shown and described.

(30) **Foreign Application Priority Data**

Jul. 28, 2016 (JP) 2016-016187

DESCRIPTION

(51) **LOC (13) Cl.** **24-02**

(52) **U.S. Cl.**
USPC **D24/138**

(58) **Field of Classification Search**
USPC D24/137-138, 108, 222, 117-118, 133,
D24/135; D16/136; 600/112, 122, 136;
359/507, 510; 206/438, 316.1; 128/898
CPC .. A61B 1/00; A61B 1/04; A61B 19/08; G02B
27/00
See application file for complete search history.

FIG. 1 is a front view of a container for endoscope drape showing our new design;
FIG. 2 is a back view thereof;
FIG. 3 is a right side view thereof;
FIG. 4 is a left side view thereof;
FIG. 5 is a plain view thereof;
FIG. 6 is a bottom view thereof;
FIG. 7 is an A-A' Sectional view thereof;
FIG. 8 is a B-B' partial enlarged view thereof;
FIG. 9 is a partial A-A' section end view of left and right portions thereof with a center portion removed;
FIG. 10 is a C-C' partial enlarged view thereof;
FIG. 11 is a front perspective view thereof;
FIG. 12 is a back perspective view thereof; and,
FIG. 13 is a B-B sectional view thereof.

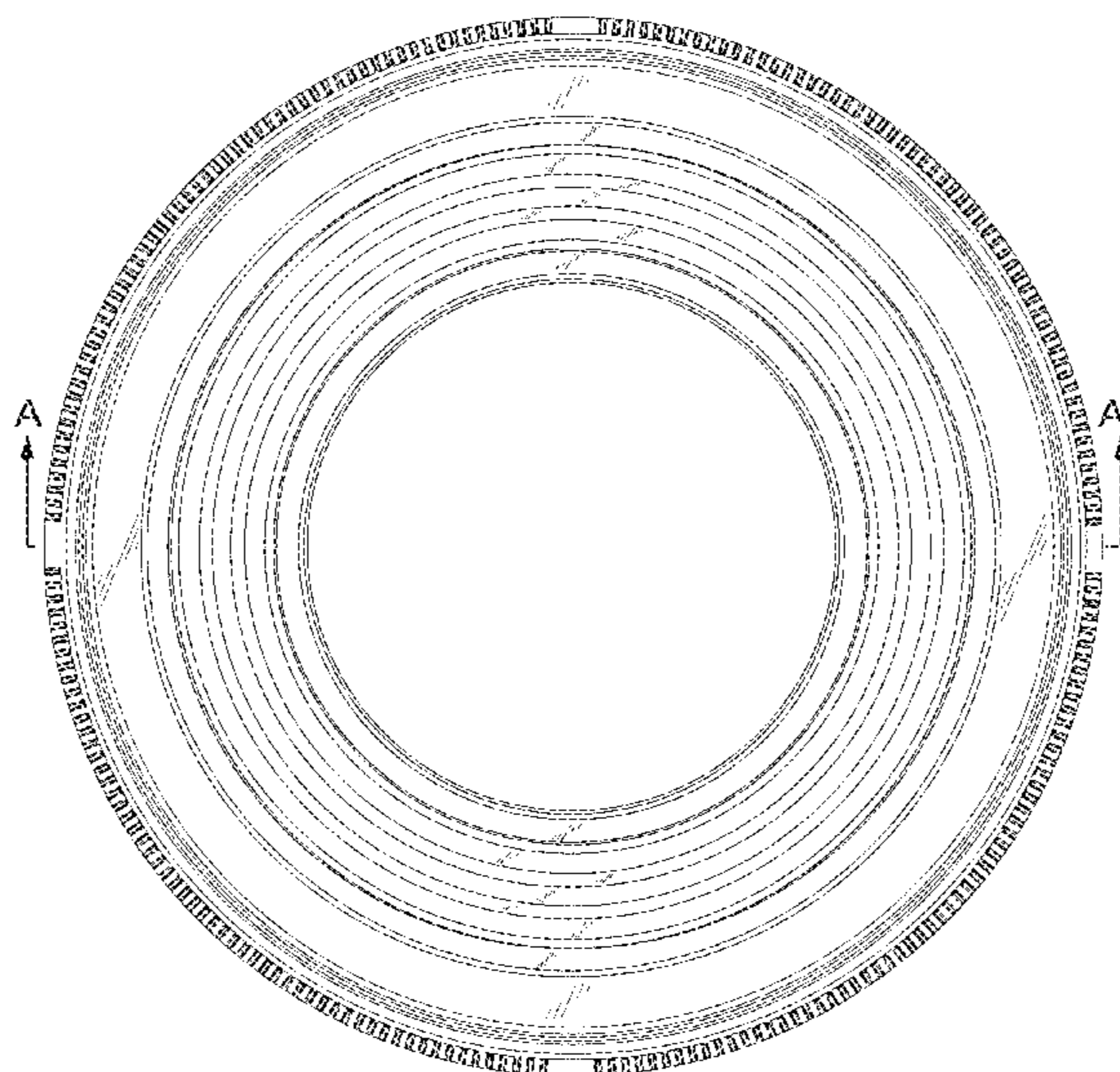
The broken line shown in the container for endoscope drape are for portions that forms no part of the claimed design.

(56) **References Cited**

U.S. PATENT DOCUMENTS

5,274,500 A * 12/1993 Dunn A61B 1/042
206/316.1
5,311,358 A * 5/1994 Pederson A61B 46/10
206/316.1
5,325,846 A * 7/1994 Szabo A61B 1/00142
206/303

1 Claim, 13 Drawing Sheets



(56)

References Cited

U.S. PATENT DOCUMENTS

8,074,657 B2 * 12/2011 Scott A61B 46/10
 128/846
 8,864,320 B2 * 10/2014 Chua G02B 27/0006
 359/510
 D758,577 S * 6/2016 Moskowitz D24/138
 D770,552 S * 11/2016 Radi D16/130
 D824,763 S * 8/2018 Suess D9/454
 D833,508 S * 11/2018 Overall D16/219
 D839,943 S * 2/2019 Geller D16/131
 D840,457 S * 2/2019 Geller D16/131
 2002/0133058 A1 * 9/2002 Calderwood A61B 1/00142
 600/122
 2005/0094269 A1 * 5/2005 Moses A61B 46/10
 359/510
 2011/0155145 A1 * 6/2011 Chua G02B 27/0006
 128/849
 2013/0298915 A1 * 11/2013 Chua G02B 27/0006
 128/849
 2015/0002937 A1 * 1/2015 Chua G02B 27/0006
 359/510
 2018/0358870 A1 * 12/2018 Kawanami H02K 7/14
 2019/0069765 A1 * 3/2019 Niino A61B 1/00142

* cited by examiner

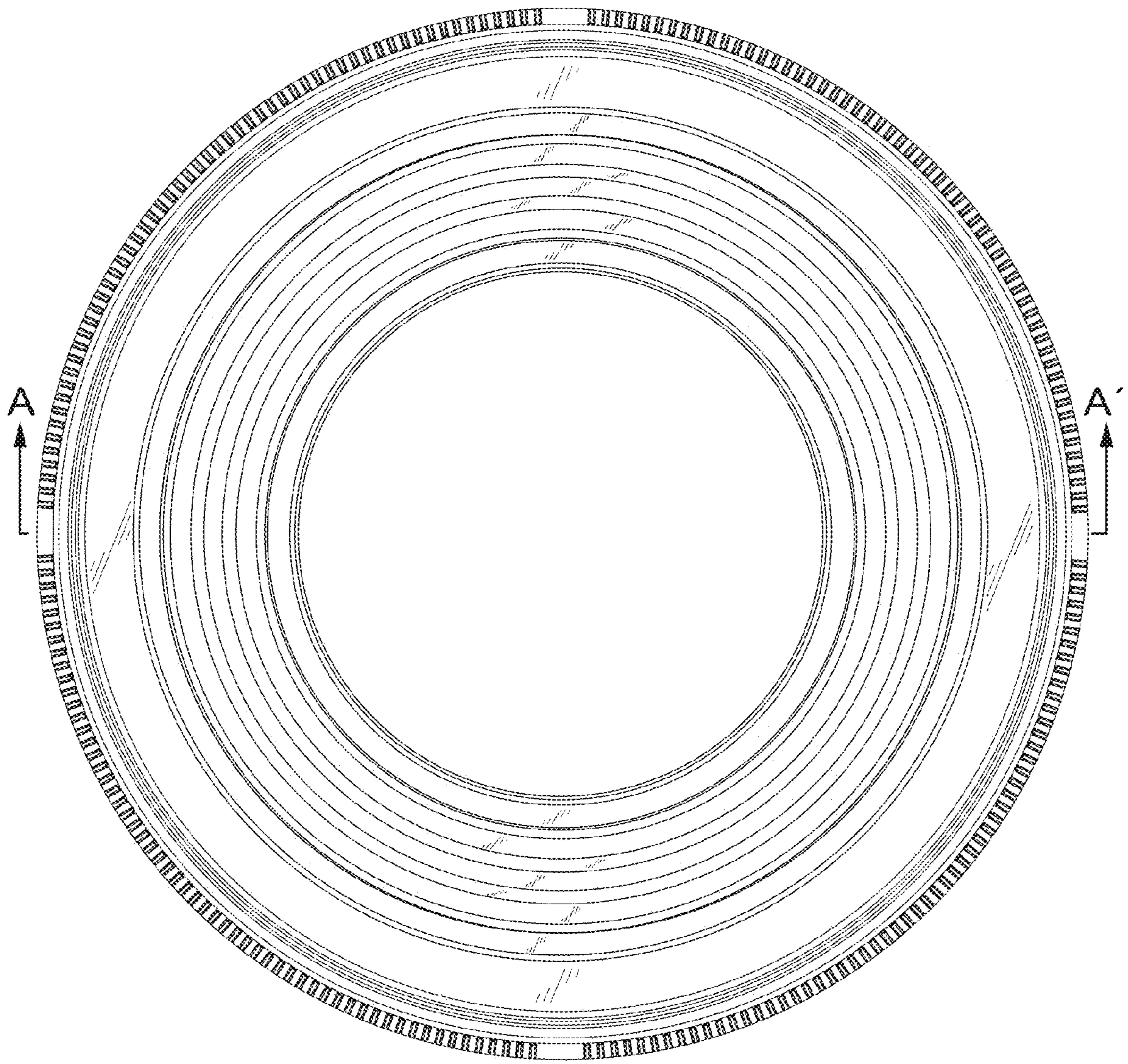


FIG. 1

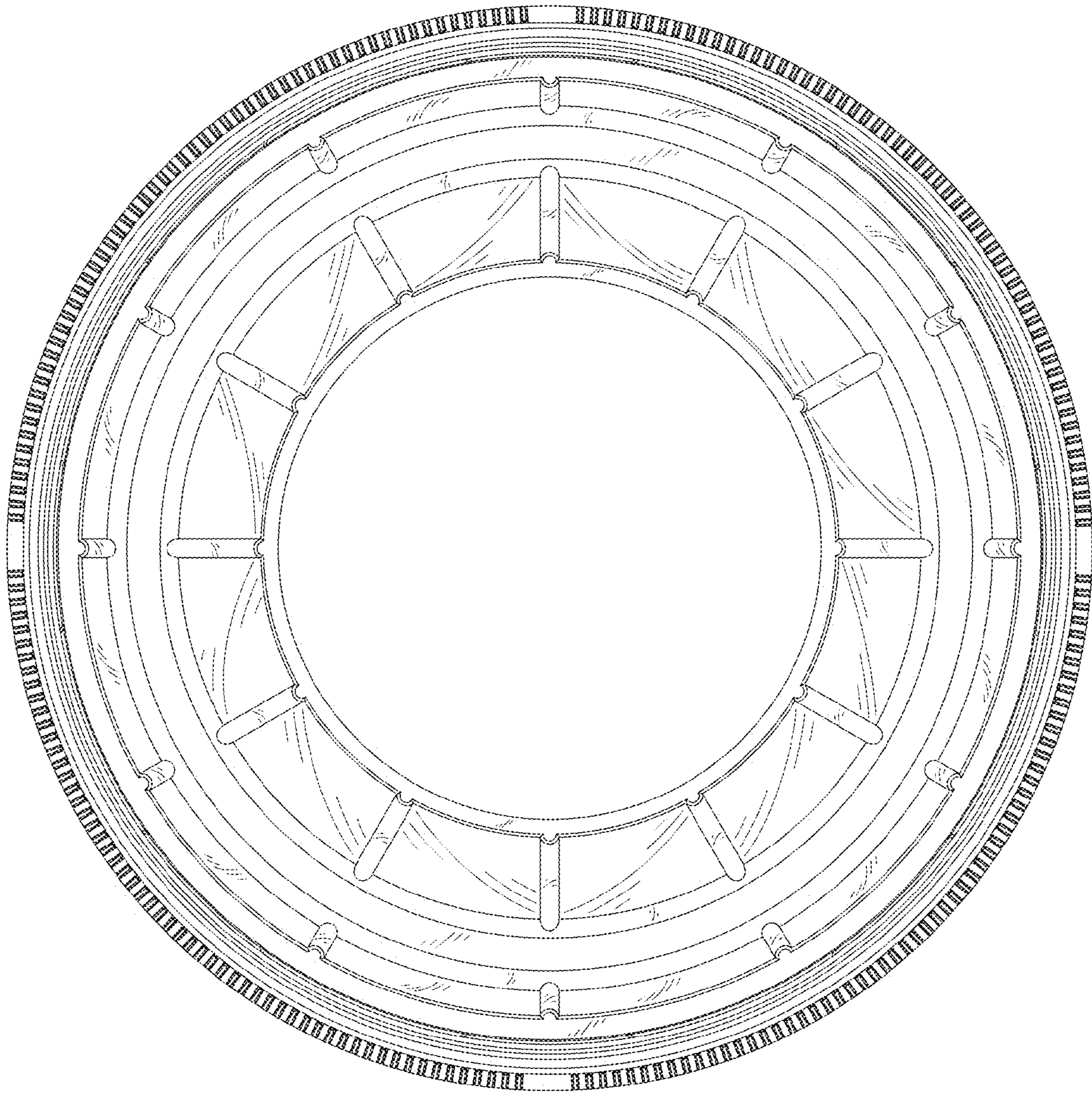


FIG. 2

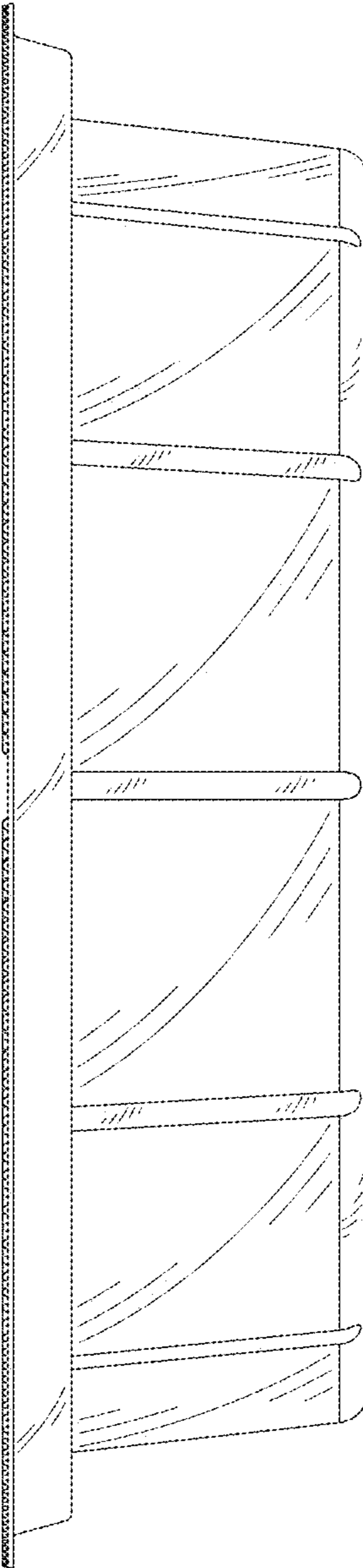


FIG. 3

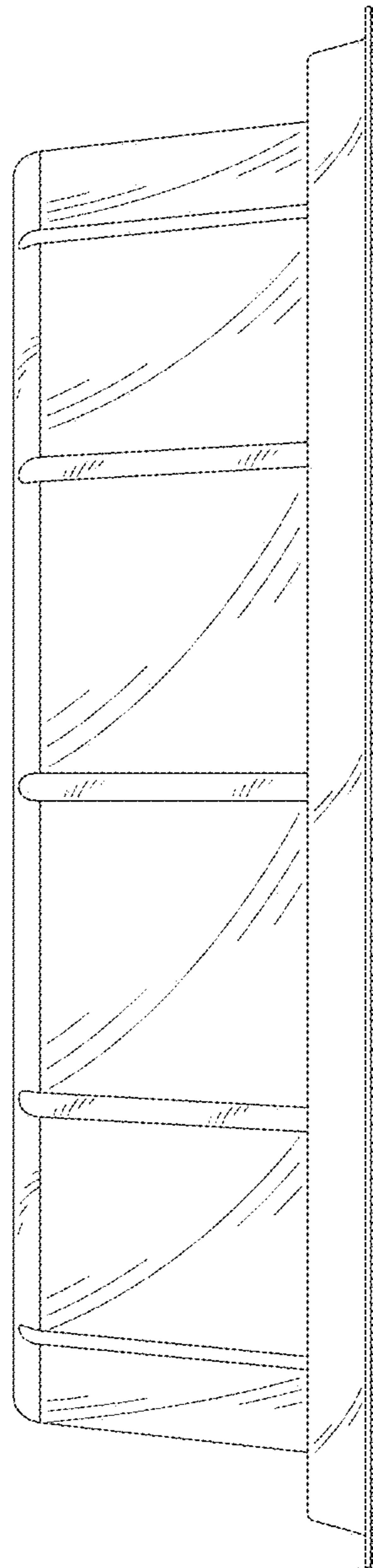


FIG. 4

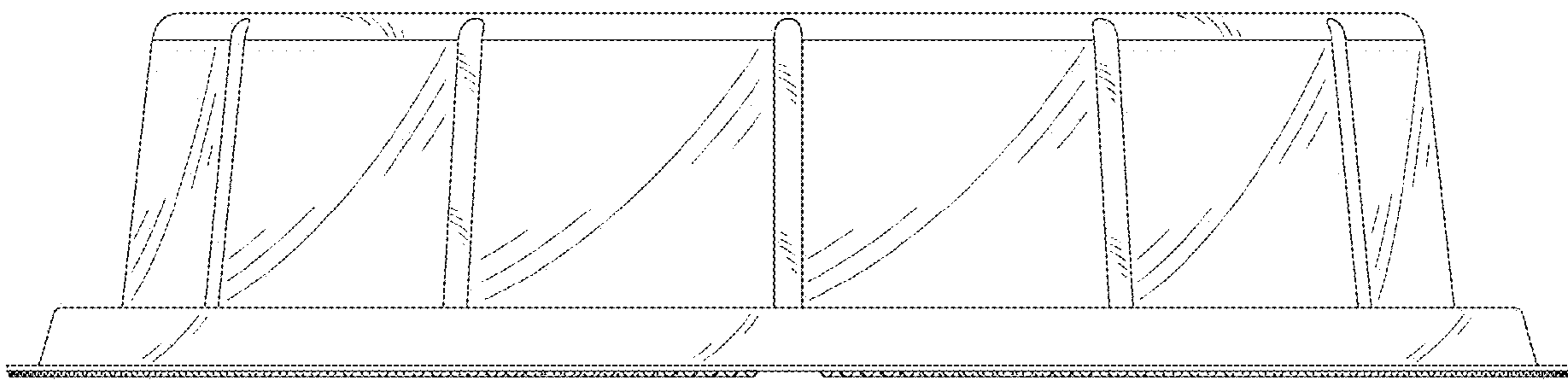


FIG. 5

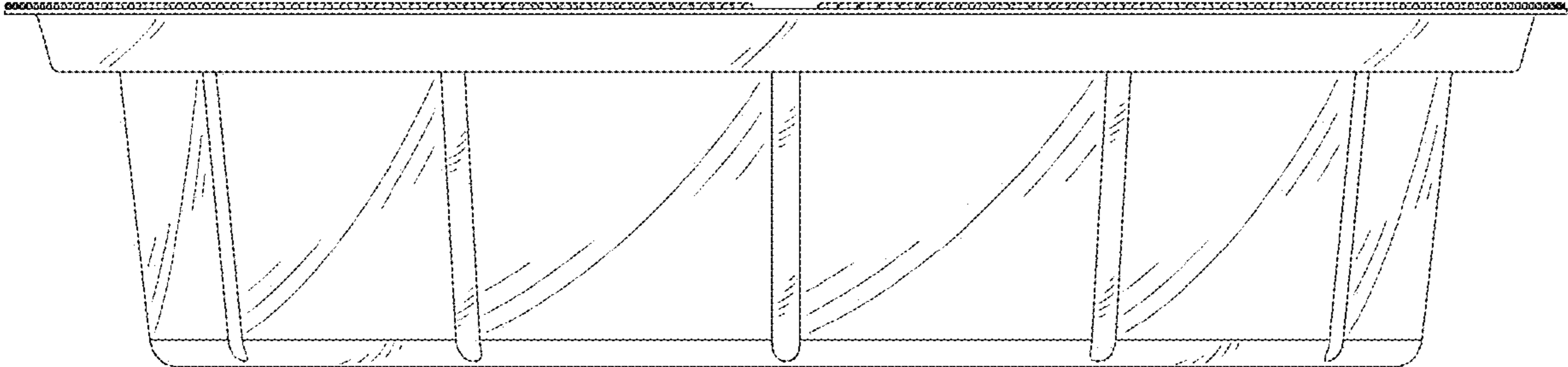


FIG. 6

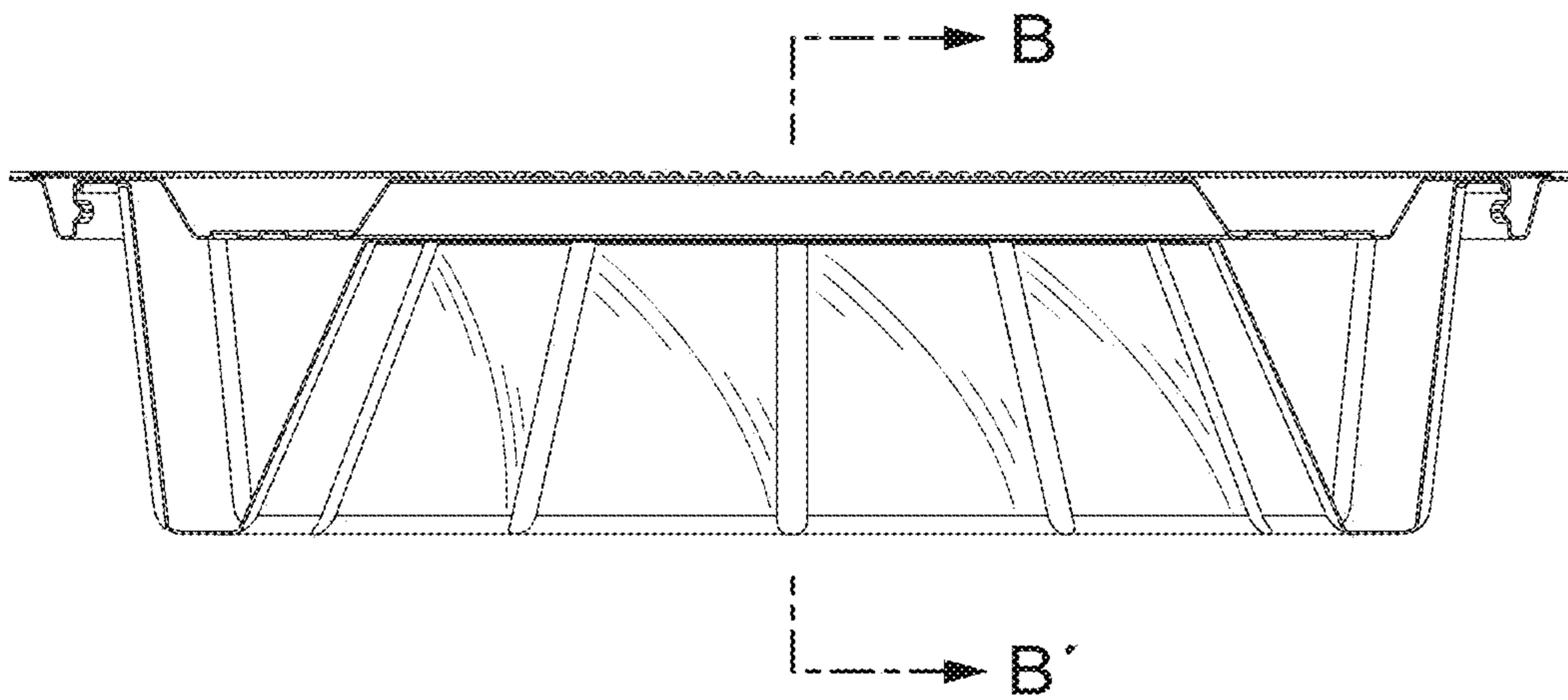


FIG. 7

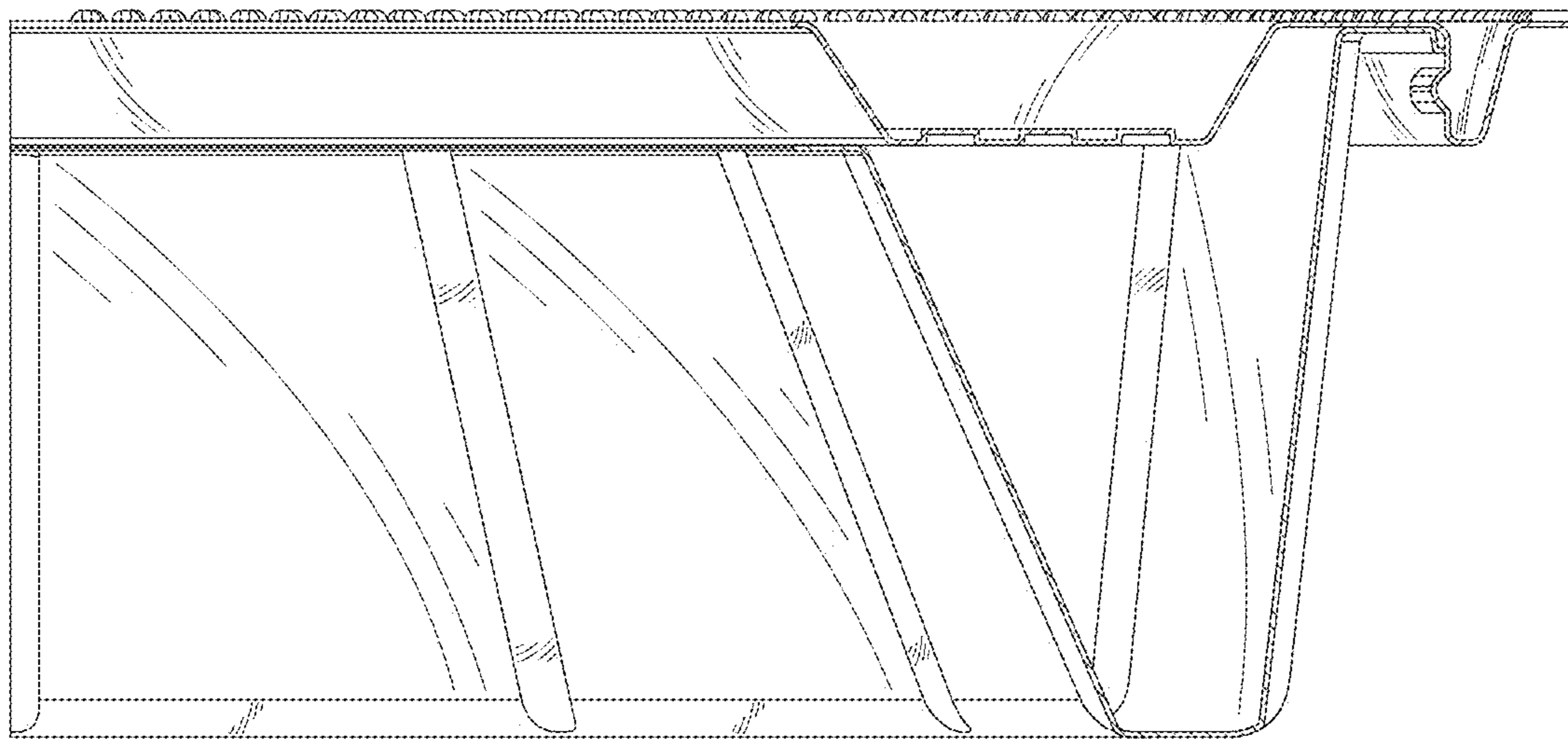


FIG. 8

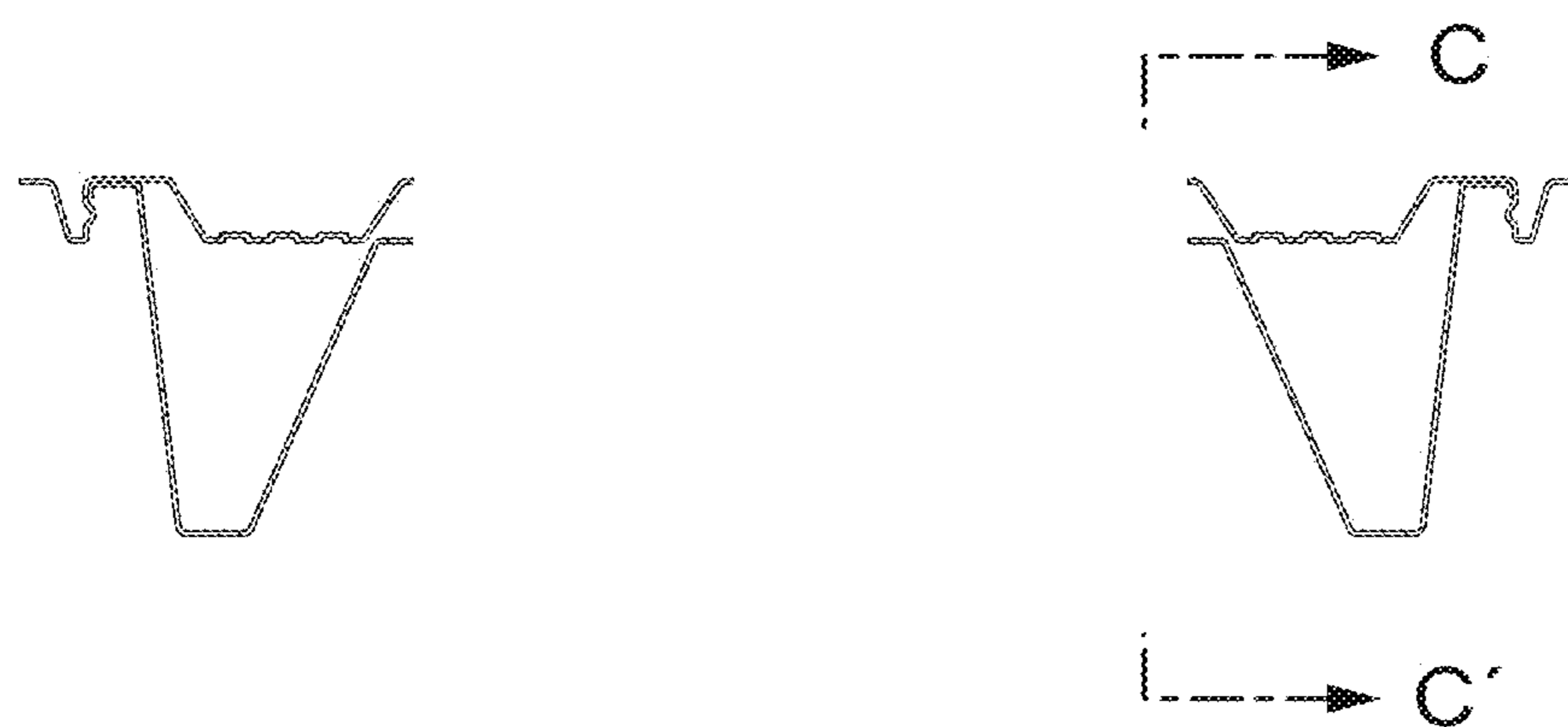


FIG. 9

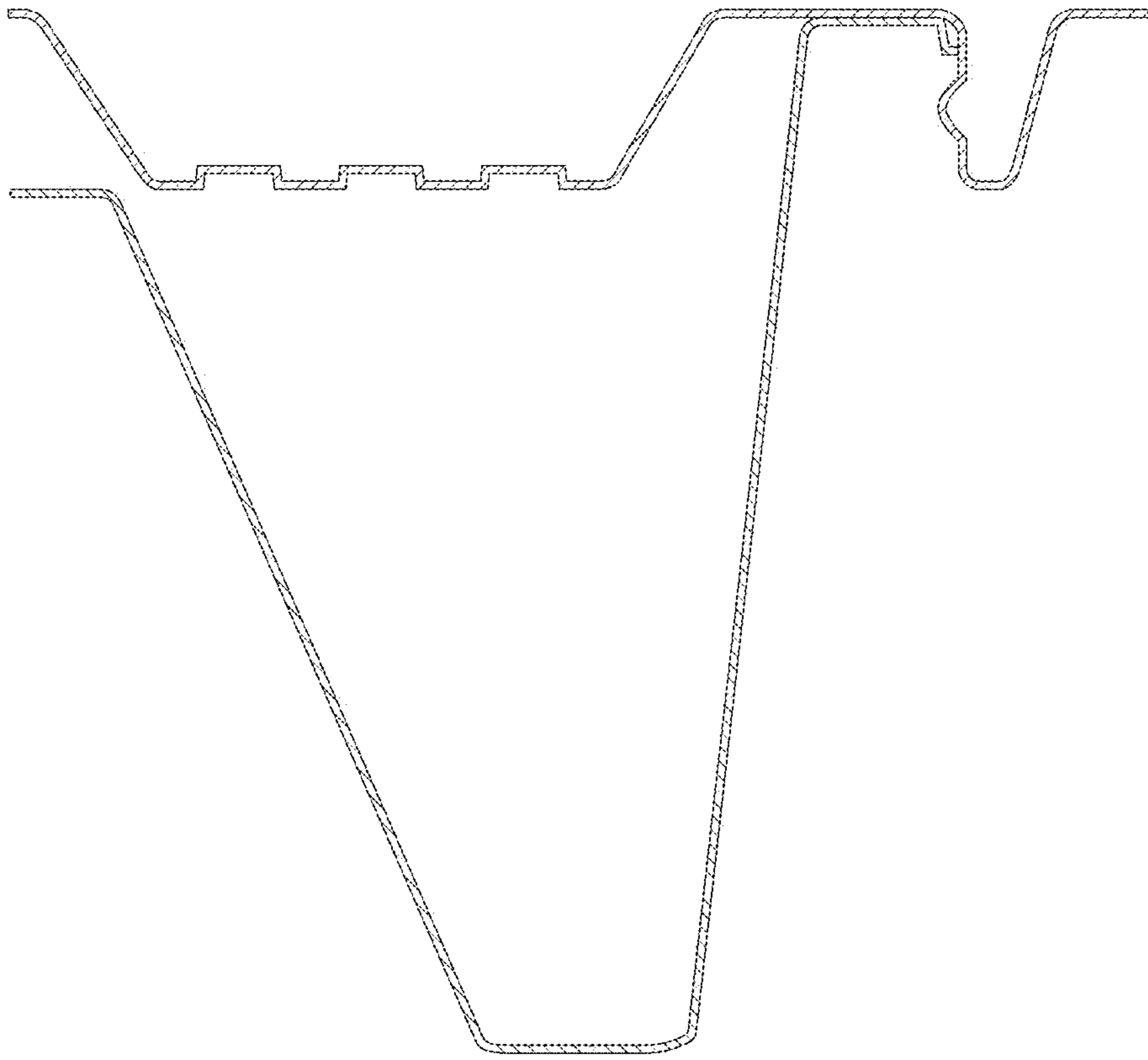


FIG. 10

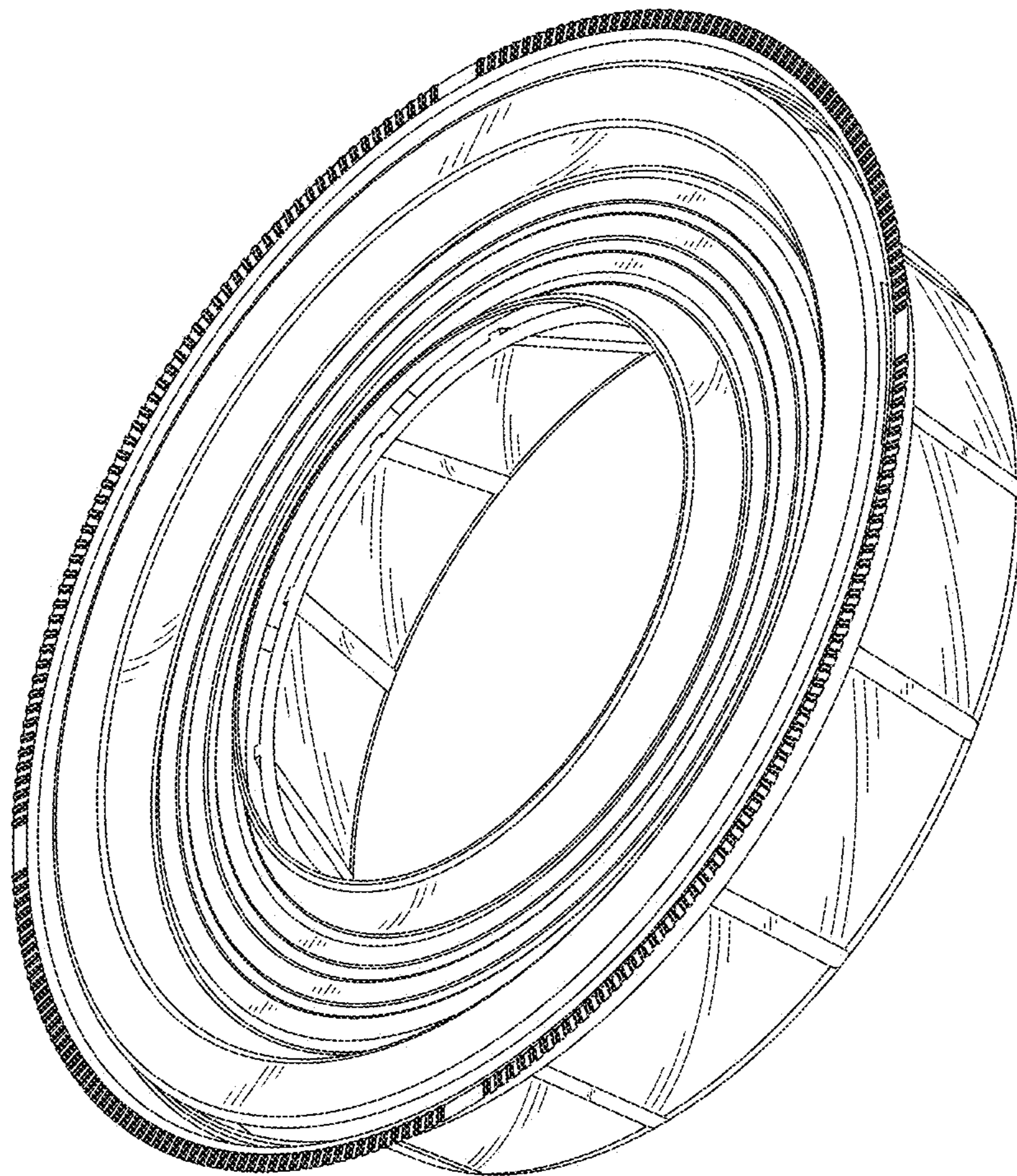


FIG. 11

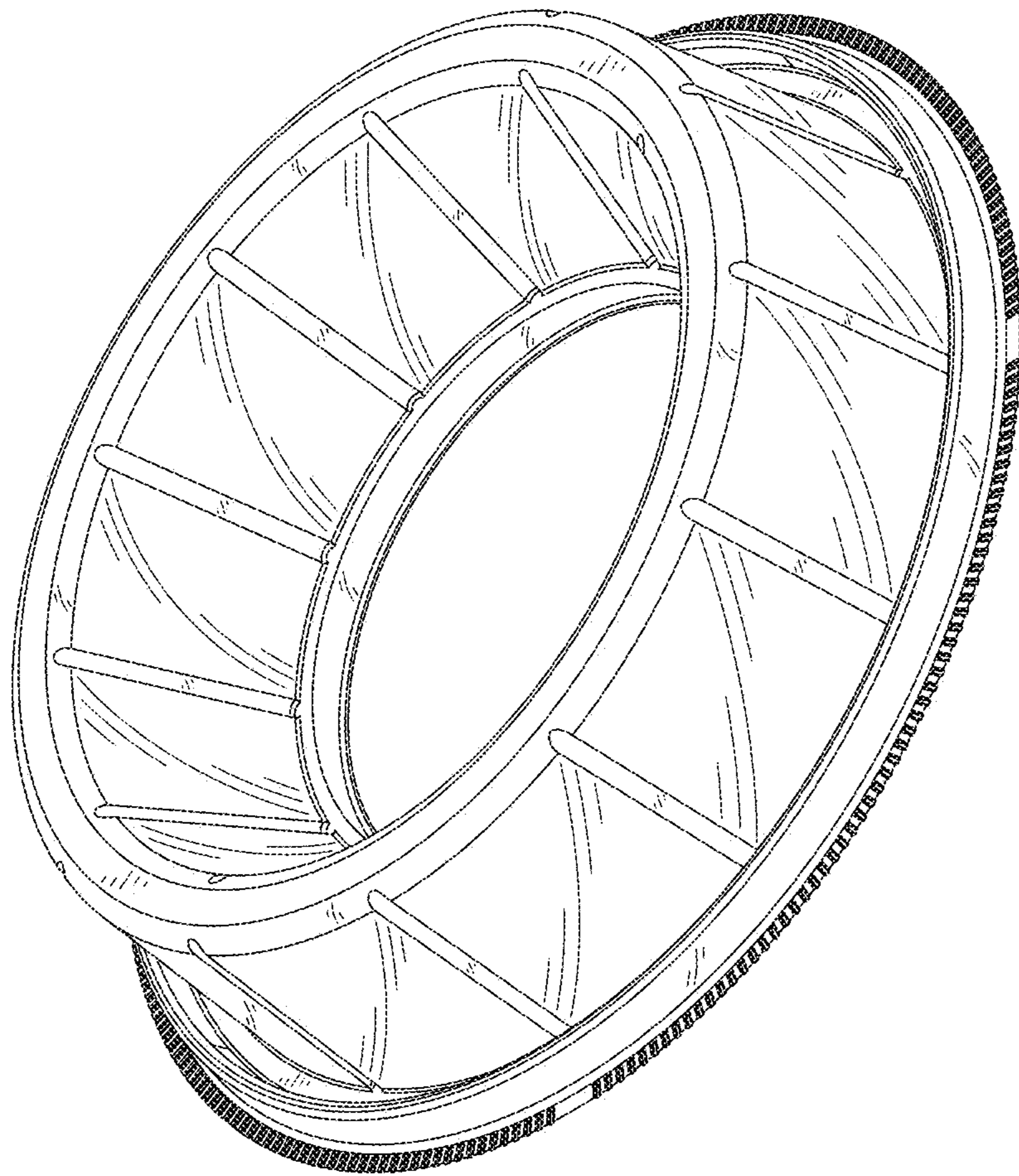


FIG. 12

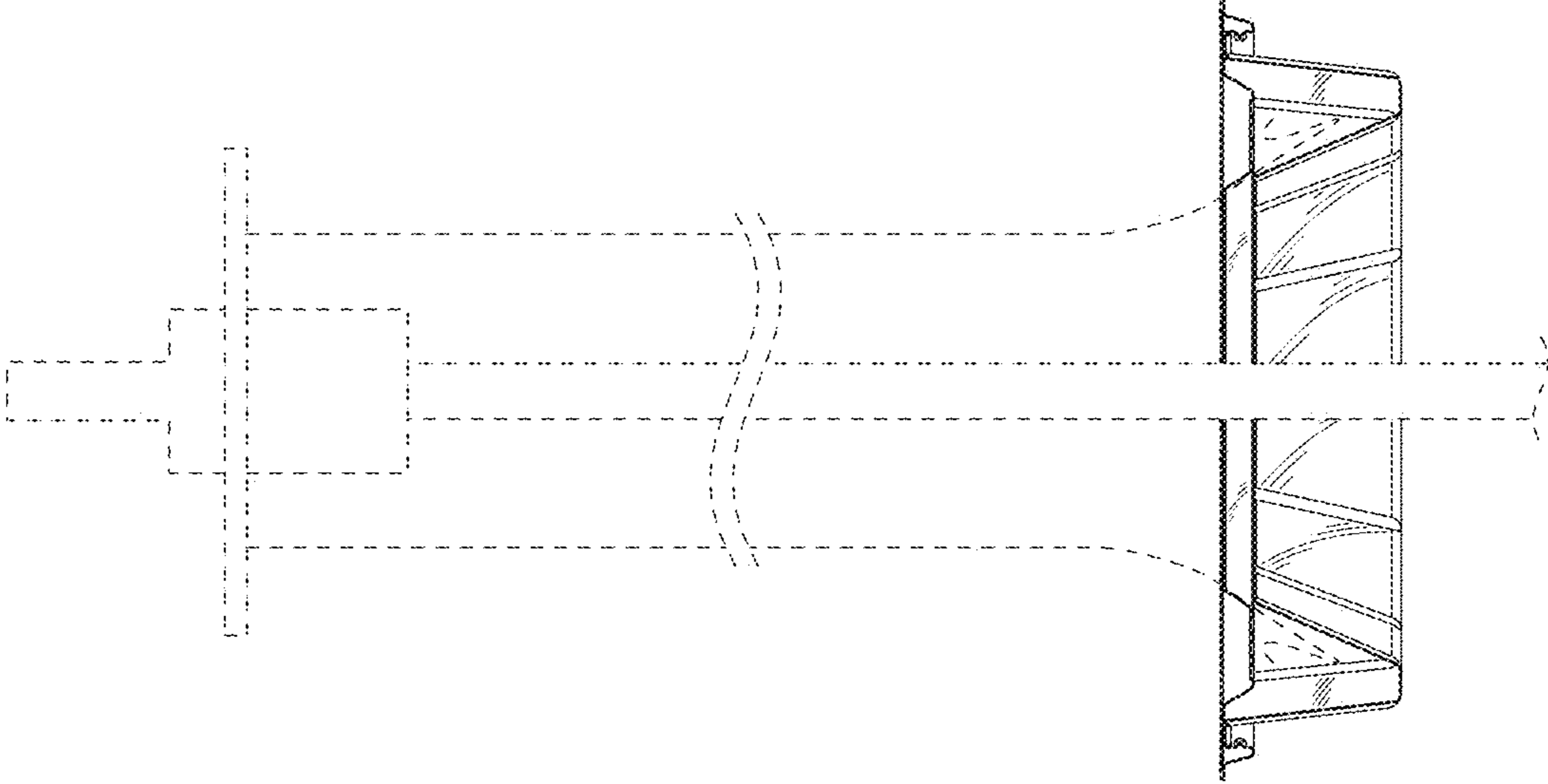


FIG. 13