



US00D931447S

(12) **United States Design Patent** (10) **Patent No.:** **US D931,447 S**
Swift (45) **Date of Patent:** **** Sep. 21, 2021**

(54) **REINFORCEMENT ARMS AND COLLAR FOR A CANNULA TIP**

(56) **References Cited**

U.S. PATENT DOCUMENTS

(71) Applicant: **ANGIODYNAMICS, INC.**, Latham, NY (US)

3,690,323 A	9/1972	Wortman et al.	
3,831,587 A	8/1974	Boyd	
D279,608 S *	7/1985	Carey	D25/126
4,564,408 A	1/1986	Crumbach et al.	
4,611,594 A	9/1986	Grayhack et al.	
4,921,478 A	5/1990	Solano et al.	
4,936,823 A *	6/1990	Colvin	A61M 31/002 600/7

(72) Inventor: **Kevin Swift**, Brighton, MA (US)

(73) Assignee: **ANGIODYNAMICS, INC.**, Latham, NY (US)

5,011,488 A	4/1991	Ginsburg	
5,158,533 A	10/1992	Strauss et al.	
5,188,618 A	2/1993	Thomas	
5,707,359 A *	1/1998	Bufalini	A61B 17/3421 604/104
5,707,362 A *	1/1998	Yoon	A61B 17/3417 604/164.03
5,713,853 A *	2/1998	Clark	A61M 25/007 604/104

(**) Term: **15 Years**

(21) Appl. No.: **29/773,300**

(22) Filed: **Mar. 9, 2021**

5,908,435 A 6/1999 Samuels
(Continued)

Related U.S. Application Data

(63) Continuation of application No. 29/703,049, filed on Aug. 23, 2019, now Pat. No. Des. 916,281, which is a continuation-in-part of application No. 15/295,529, filed on Oct. 17, 2016, now abandoned.

(51) **LOC (13) Cl.** **24-02**

(52) **U.S. Cl.**
USPC **D24/130**

(58) **Field of Classification Search**

USPC D24/112-114, 108, 130, 127, 133, 186; 606/181, 185; 604/264, 523-528, 272, 604/164.01-164.11, 187, 93.01; 600/101, 600/139, 143; 128/200.24, 207.14, 128/207.15
CPC A61F 2/013; A61F 2/01; A61F 2/958; A61M 1/0056; A61M 1/0058; A61M 1/0039; A61M 25/00; A61M 39/00; A61M 27/00; A61M 25/0043; A61M 25/0067; A61M 25/0097

See application file for complete search history.

FOREIGN PATENT DOCUMENTS

WO 9945835 A2 9/1999

Primary Examiner — David G Muller

(74) *Attorney, Agent, or Firm* — Heslin, Rothenberg, Farley & Mesiti P.C.

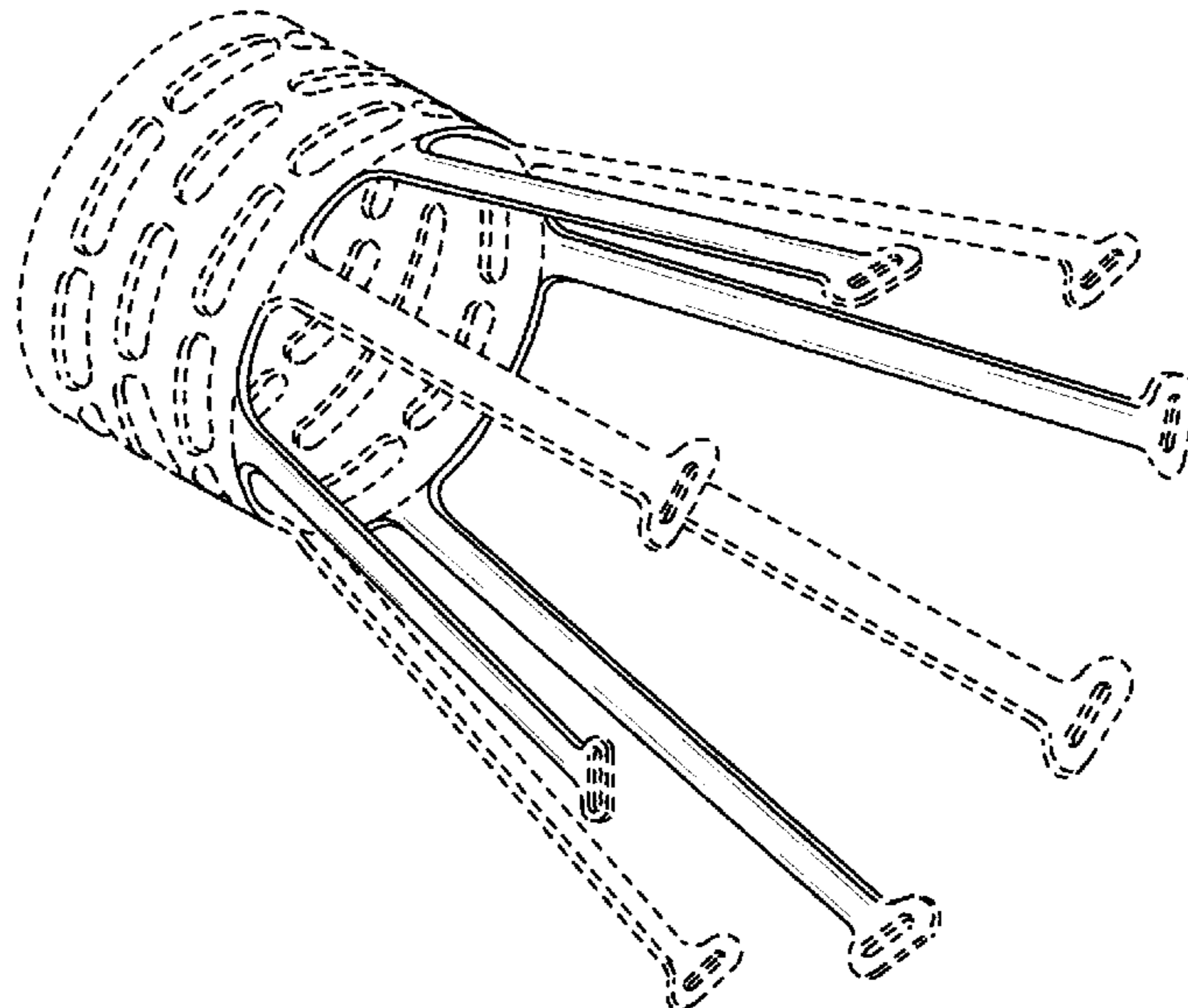
(57) **CLAIM**

The ornamental design for reinforcement arms and collar for a cannula tip, as shown and described.

DESCRIPTION

FIG. 1 is a perspective view of reinforcement arms and collar for a cannula tip comprising the new design; FIG. 2 is a side view thereof; FIG. 3 is a top view thereof; and, FIG. 4 is a bottom view thereof. The broken line showing is included for the purpose of illustrating portions of the article and forms no part of the claimed design.

1 Claim, 4 Drawing Sheets



(56)

References Cited

U.S. PATENT DOCUMENTS

5,925,032 A 7/1999 Clements
 D414,273 S 9/1999 Smith et al.
 6,083,239 A 7/2000 Addis
 6,173,868 B1 1/2001 DeJonge
 6,206,868 B1 3/2001 Parodi
 6,241,738 B1 6/2001 Dereume
 6,306,163 B1* 10/2001 Fitz A61F 2/013
 623/1.12
 6,364,896 B1 4/2002 Addis
 6,413,235 B1 7/2002 Parodi
 6,413,243 B1 7/2002 Geist
 6,423,032 B2 7/2002 Parodi
 6,450,712 B1 9/2002 Shah et al.
 6,500,191 B2 12/2002 Addis
 6,719,717 B1 4/2004 Johnson et al.
 6,852,280 B2 2/2005 Vijay et al.
 6,905,490 B2 6/2005 Parodi
 6,908,474 B2 6/2005 Hogendijk et al.
 6,936,060 B2 8/2005 Hogendijk et al.
 D509,589 S 9/2005 Wells
 6,946,099 B2 9/2005 Vijay et al.
 6,960,222 B2 11/2005 Vo et al.
 6,989,027 B2 1/2006 Allen et al.
 7,118,585 B2 10/2006 Addis
 7,223,253 B2 5/2007 Hogendijk
 7,229,402 B2 6/2007 Diaz et al.
 D569,509 S 5/2008 Melanson et al.
 7,374,560 B2 5/2008 Ressemann et al.
 7,625,390 B2* 12/2009 Hendriksen A61F 2/0105
 606/200
 D613,859 S 4/2010 Bierman
 D623,805 S 9/2010 Vosbikian
 7,794,473 B2* 9/2010 Tessmer A61F 2/0105
 606/200
 7,799,046 B2 9/2010 White et al.
 D642,261 S 7/2011 York et al.
 8,025,668 B2* 9/2011 McCartney A61B 8/0841
 606/106

D649,634 S 11/2011 May et al.
 8,075,510 B2 12/2011 Aklog et al.
 D653,226 S 1/2012 Morgan et al.
 D653,336 S 1/2012 Morgan et al.
 8,167,903 B2 5/2012 Hardert et al.
 D672,460 S 12/2012 Baid
 D674,084 S 1/2013 Linnenschmidt
 8,470,016 B2 6/2013 Sherburne
 8,574,259 B2* 11/2013 Welch A61K 9/0024
 606/200
 8,945,141 B2 2/2015 Cahill
 D744,639 S* 12/2015 Aklog A61B 17/3207
 D24/112
 10,357,640 B2* 7/2019 Abbate A61M 31/00
 10,856,962 B2* 12/2020 Villareal A61F 2/0105
 2001/0049486 A1 12/2001 Evans et al.
 2002/0058964 A1 5/2002 Addis
 2002/0165574 A1 11/2002 Ressemann et al.
 2003/0093112 A1 5/2003 Addis
 2004/0167564 A1 8/2004 Fedie
 2004/0220608 A1* 11/2004 D'Aquanni A61F 2/0108
 606/200
 2006/0047300 A1 3/2006 Eidenschink
 2008/0041516 A1 2/2008 Chiu et al.
 2009/0069840 A1* 3/2009 Hallisey A61F 2/01
 606/200
 2010/0168786 A1* 7/2010 Dower A61F 2/013
 606/200
 2011/0213297 A1 9/2011 Aklog et al.
 2013/0253571 A1* 9/2013 Bates A61F 2/2427
 606/200
 2014/0364941 A1* 12/2014 Edmiston A61B 17/12177
 623/2.11
 2015/0250577 A1* 9/2015 Hall A61M 25/10
 606/194
 2016/0175084 A1* 6/2016 Johnson A61F 2/0103
 606/200
 2016/0367734 A1* 12/2016 Gavlak A61B 17/1635
 2018/0110606 A1* 4/2018 Gorochow A61B 17/221

* cited by examiner

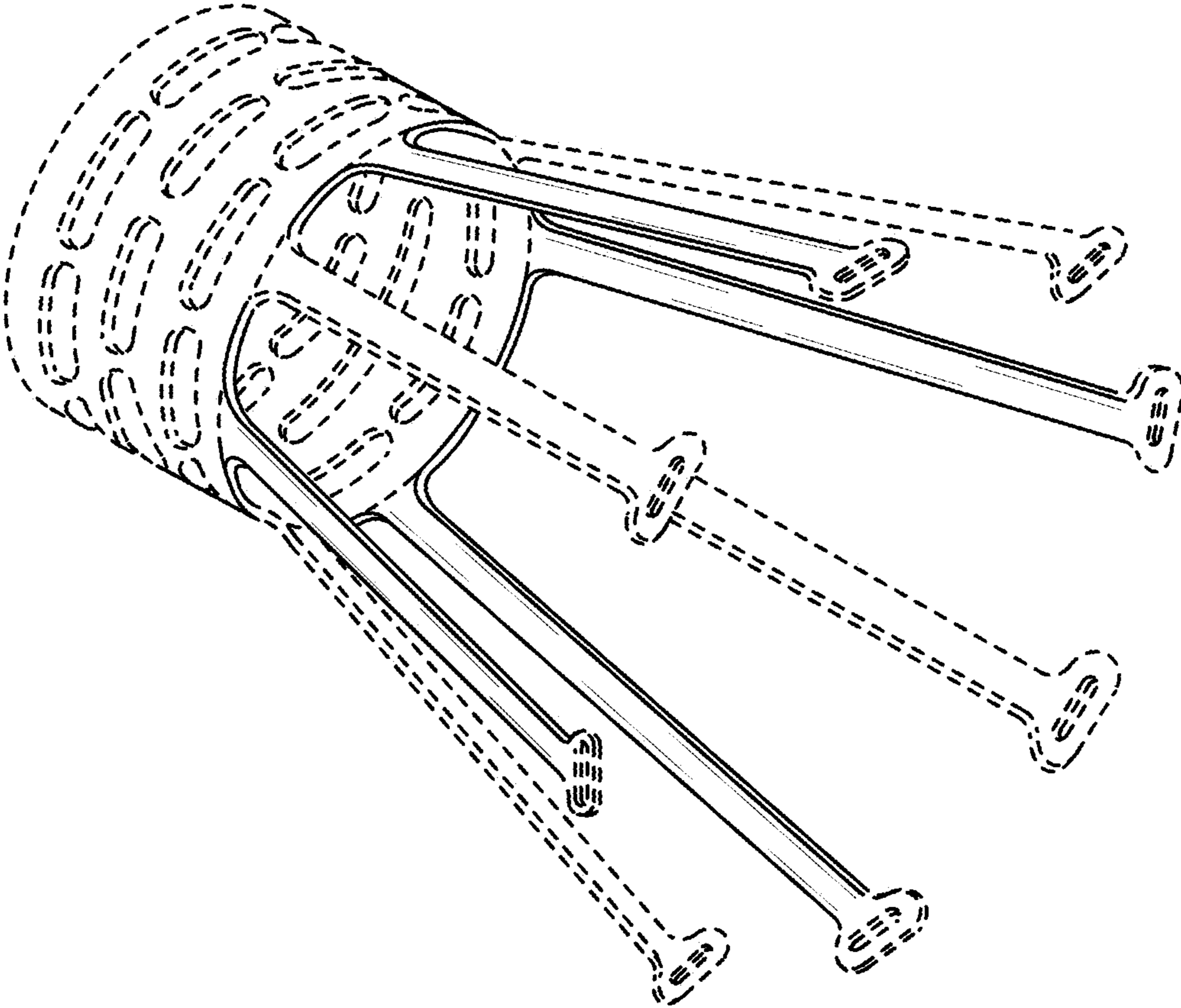


FIG. 1

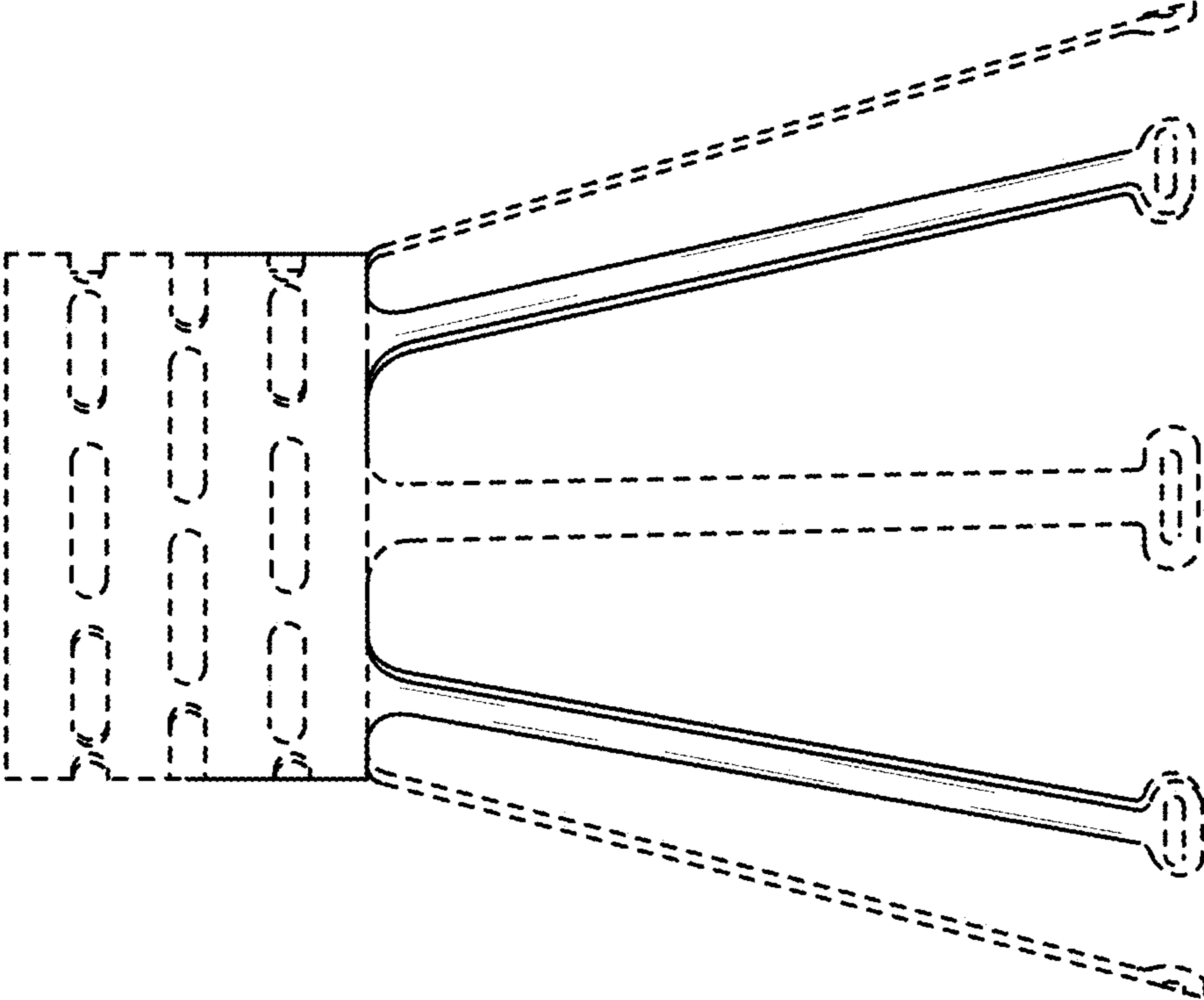


FIG. 2

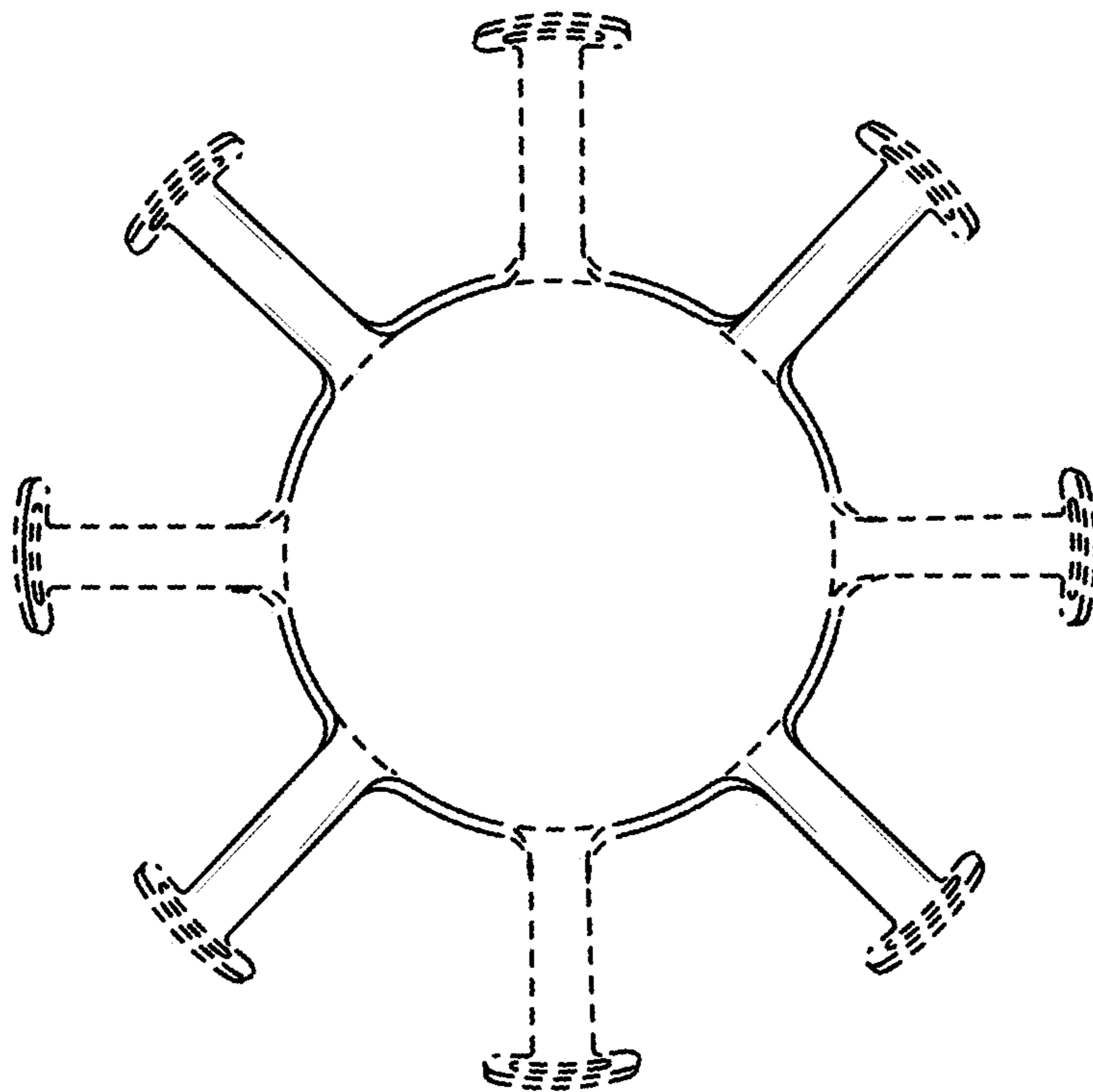


FIG. 3

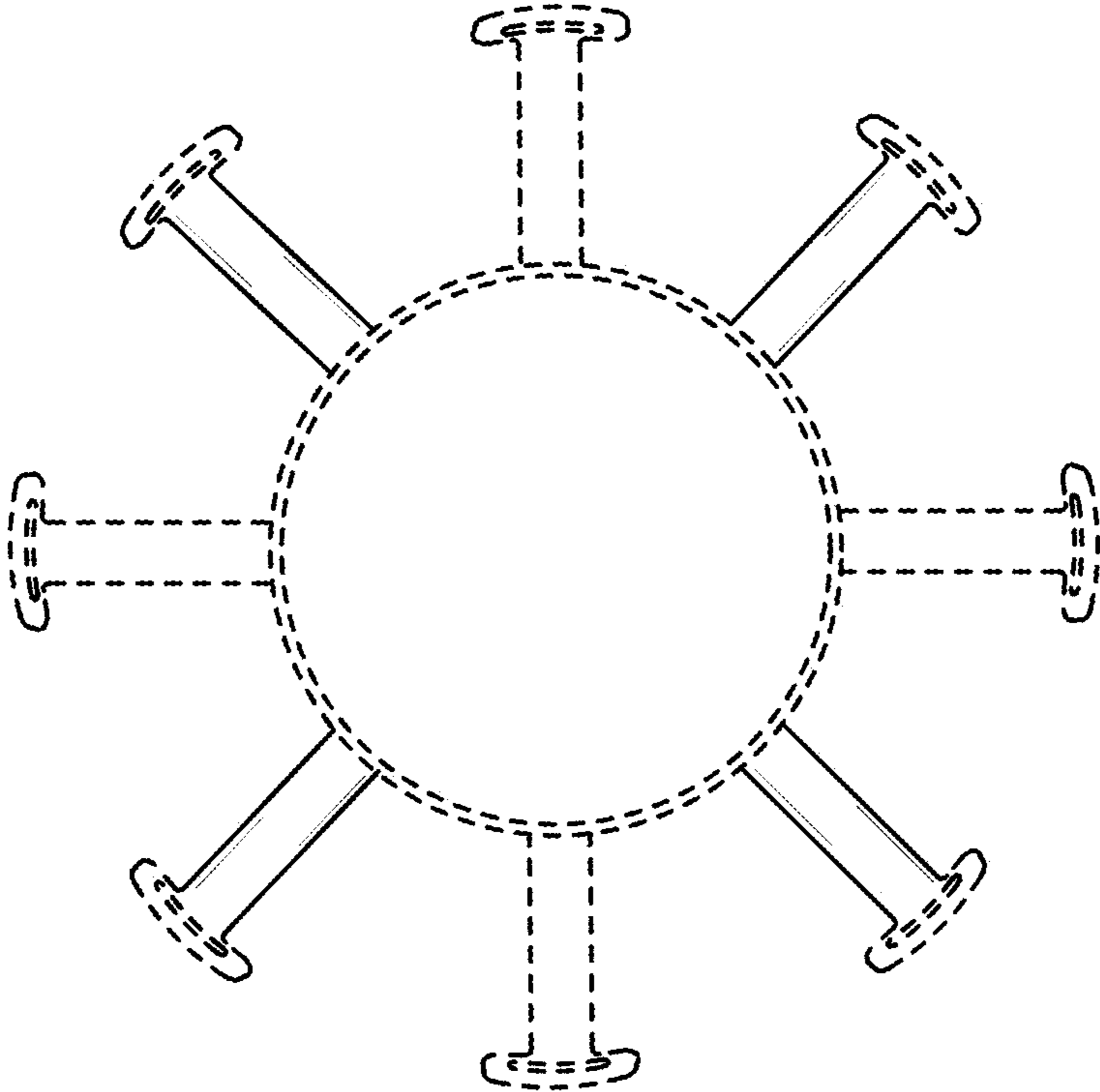


FIG. 4