



US00D931444S

(12) **United States Design Patent**
Bainton et al.

(10) **Patent No.:** **US D931,444 S**

(45) **Date of Patent:** **** Sep. 21, 2021**

(54) **INJECTOR CAP**

(71) Applicant: **Becton Dickinson France, Le**
Pont-de-Claix (FR)

(72) Inventors: **Eleanor Bainton**, Kineton (GB);
Daniel Paul Jenkins, St Albans (GB);
Maartje Saskia Pel, Leamington Spa
(GB); **Malcolm Stanley Boyd**,
Wellesbourne (GB)

(73) Assignee: **Becton Dickinson France, Le**
Pont-de-Claix (FR)

(**) Term: **15 Years**

(21) Appl. No.: **29/722,893**

(22) Filed: **Feb. 3, 2020**

(51) **LOC (13) Cl.** **24-02**

(52) **U.S. Cl.**
USPC **D24/130**

(58) **Field of Classification Search**
USPC D24/112–114, 108, 133, 130, 127, 186;
606/181, 185; 604/264, 272, 187, 181,
604/184, 227
CPC A61M 5/178; A61M 3/00; A61M 5/20;
A61M 5/31; A61M 5/3146; A61M
5/3129; A61M 5/3148; A61M 5/315
See application file for complete search history.

(56) **References Cited**

U.S. PATENT DOCUMENTS

8,657,793 B2 * 2/2014 Pellegrini A61M 5/315
604/187
8,911,402 B2 * 12/2014 Veasey A61M 5/20
604/122

D777,912 S * 1/2017 Wohlfahrt D24/130
D800,303 S * 10/2017 Ratjen D24/130
D810,282 S * 2/2018 Ratjen D24/113
10,335,553 B2 * 7/2019 Bendek A61M 5/3204
D866,757 S * 11/2019 Diluzio D24/133
D867,588 S * 11/2019 Rogge D24/130
D893,710 S * 8/2020 Neby D24/114
D901,008 S * 11/2020 Nicholas D24/130
D908,868 S * 1/2021 Rogge D24/113
D910,837 S * 2/2021 Ono D24/112
D918,382 S * 5/2021 Naughton D24/112

* cited by examiner

Primary Examiner — David G Muller

(74) *Attorney, Agent, or Firm* — The Webb Law Firm

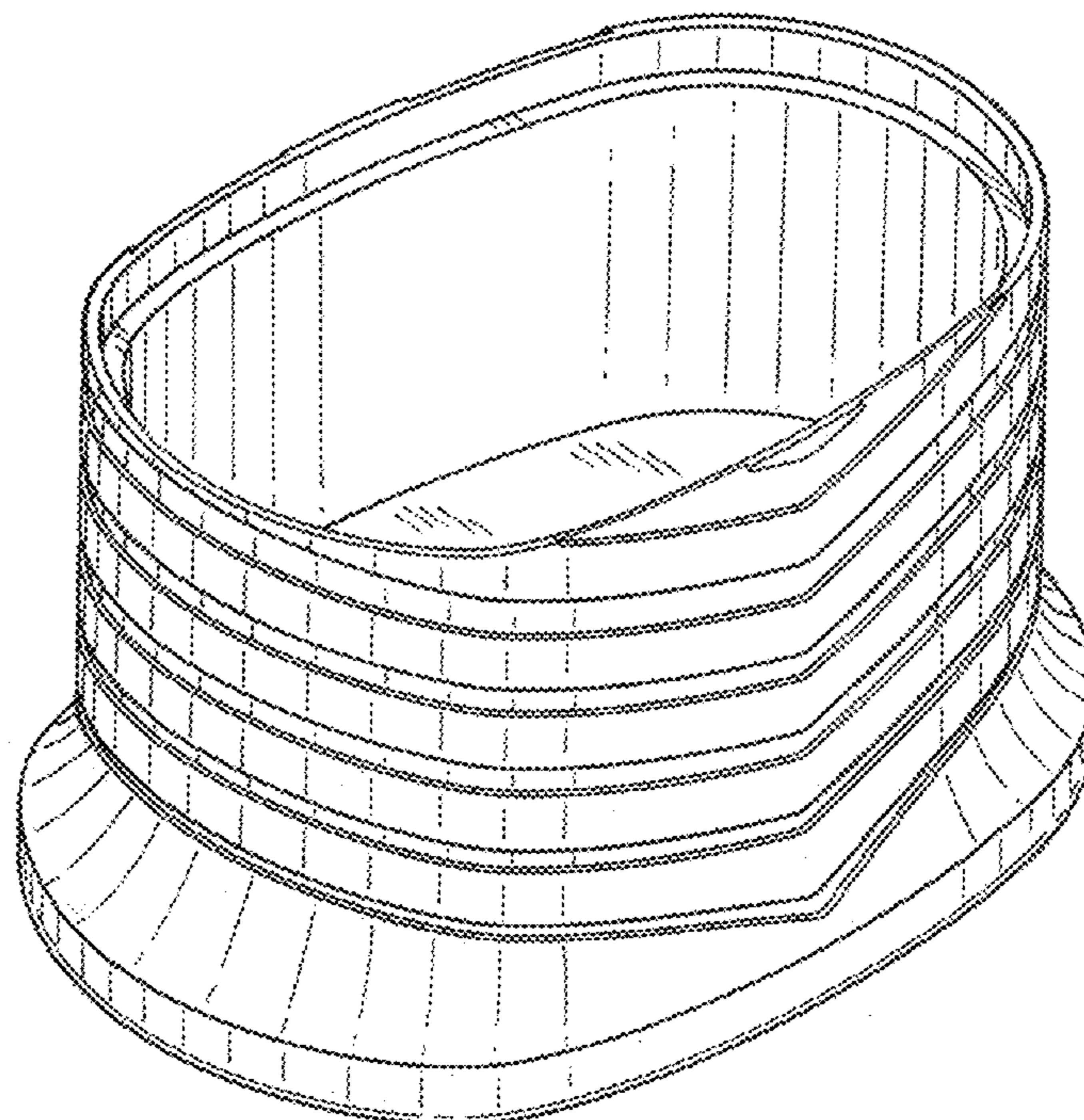
(57) **CLAIM**

The ornamental design for an injector cap, as shown and described.

DESCRIPTION

FIG. 1 is a perspective view of an injector cap, showing our new design;
FIG. 2 is a perspective view thereof;
FIG. 3 is a top view thereof;
FIG. 4 is a side view thereof;
FIG. 5 is front view thereof;
FIG. 6 is a rear view thereof;
FIG. 7 is a side view thereof; and,
FIG. 8 is a bottom view thereof.

1 Claim, 5 Drawing Sheets



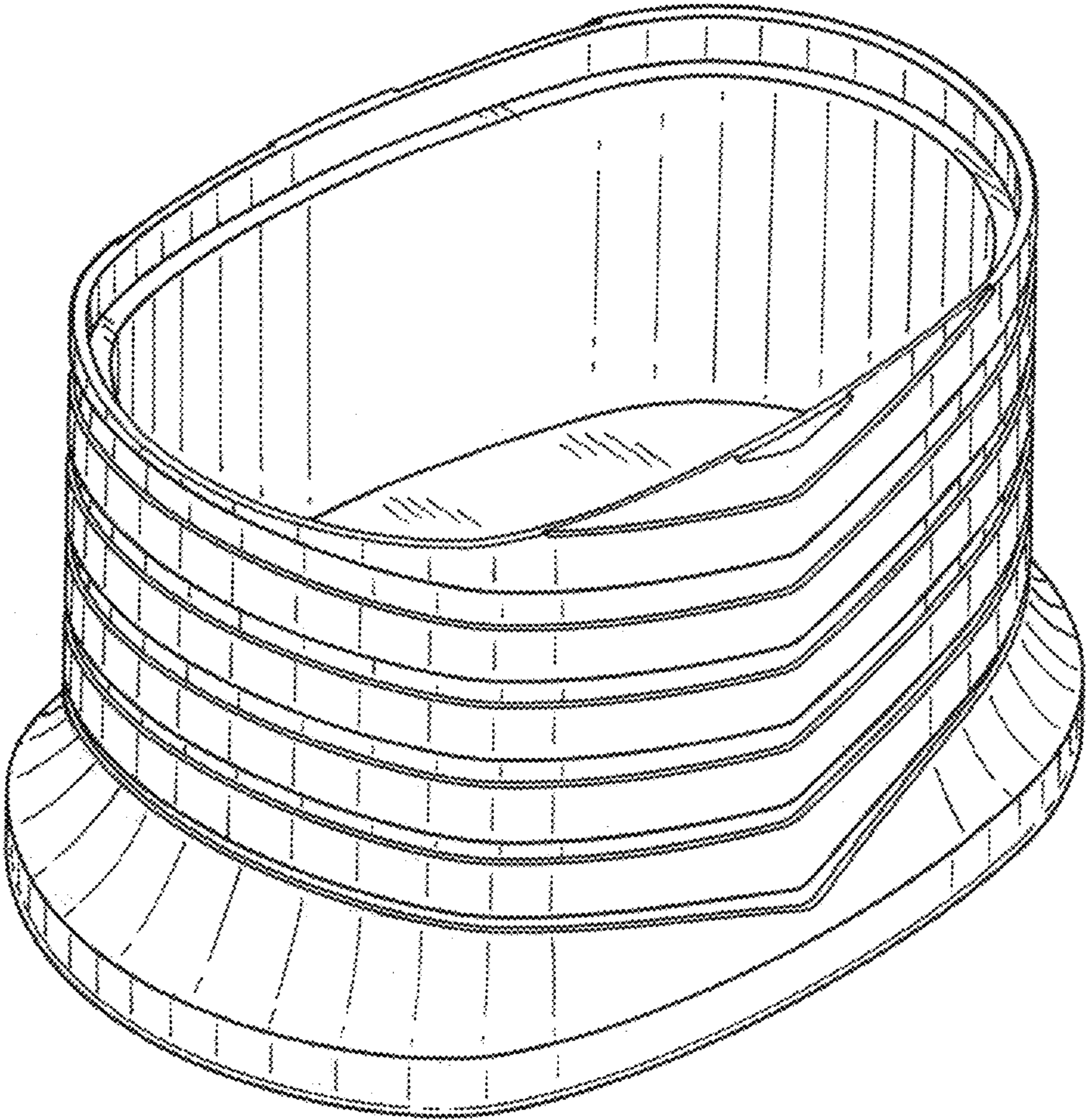


FIG. 1

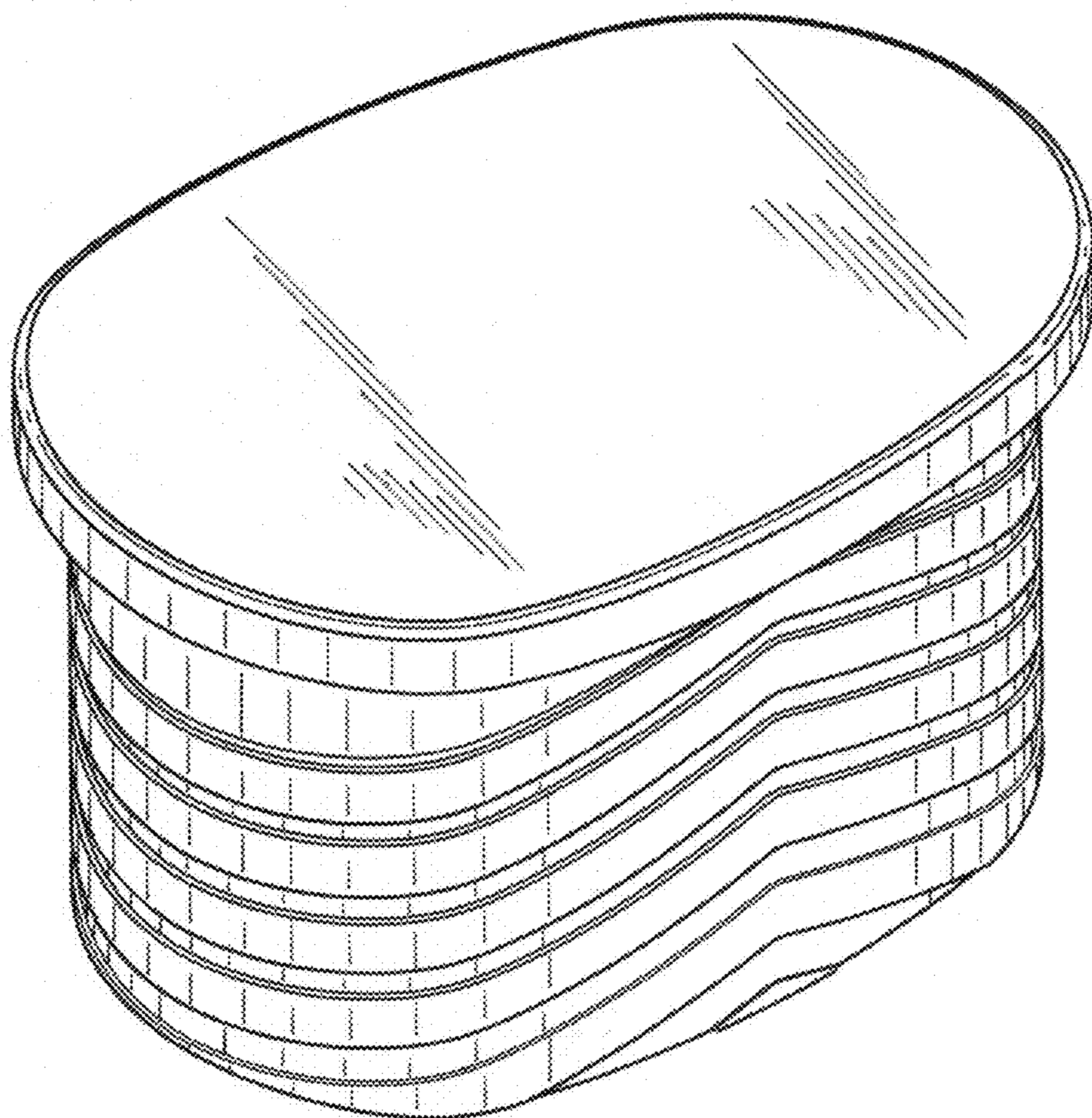


FIG.2

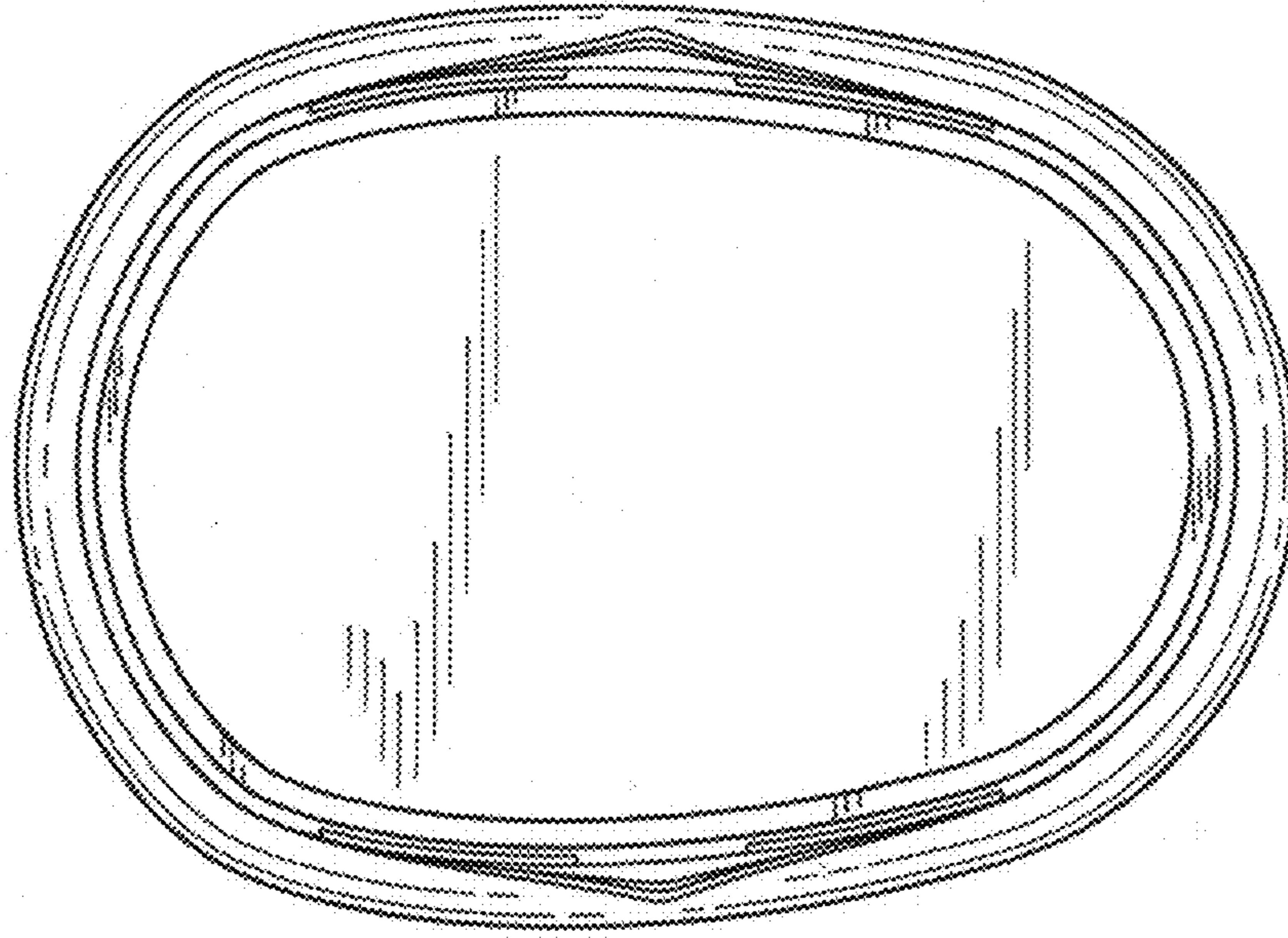


FIG. 3

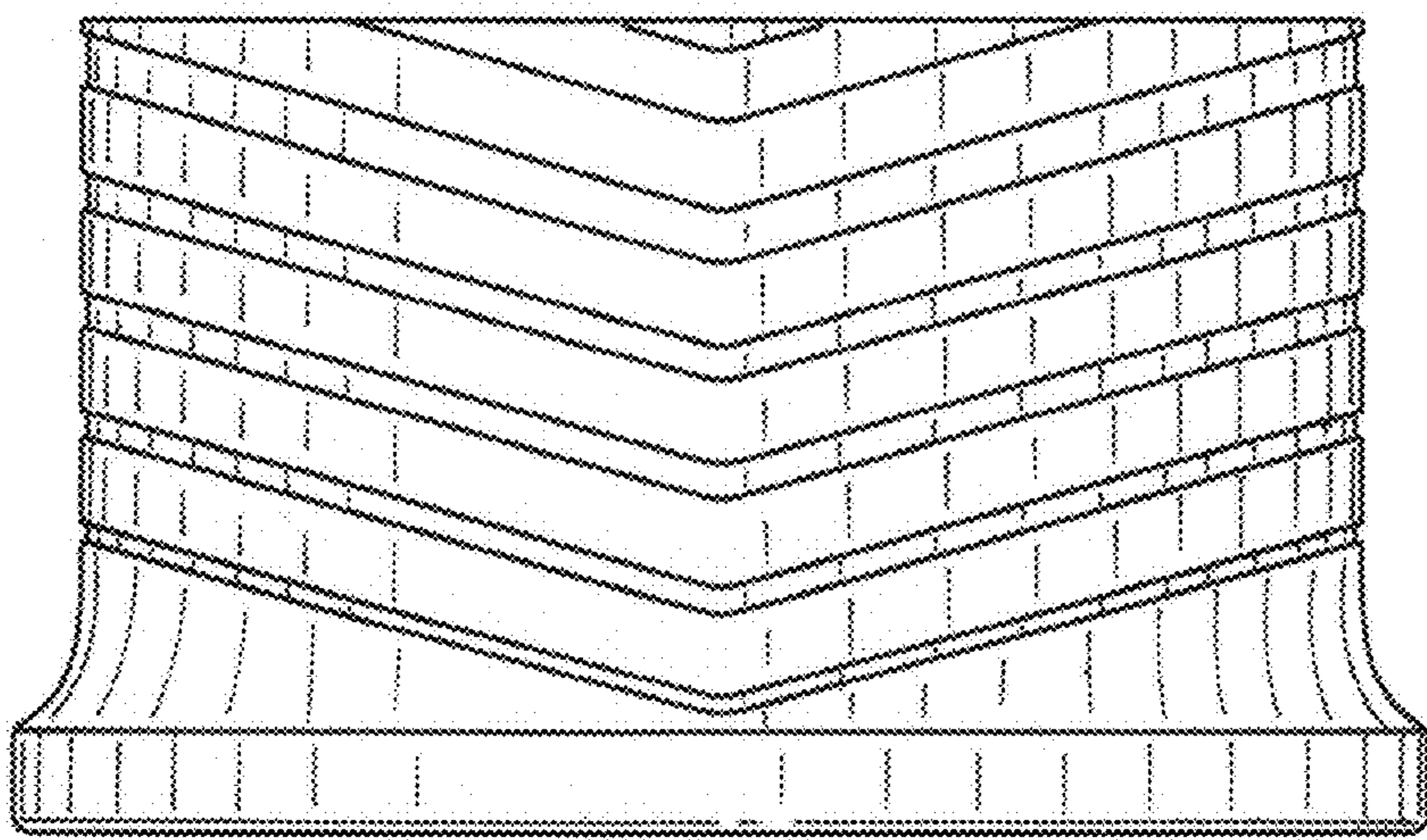


FIG. 4

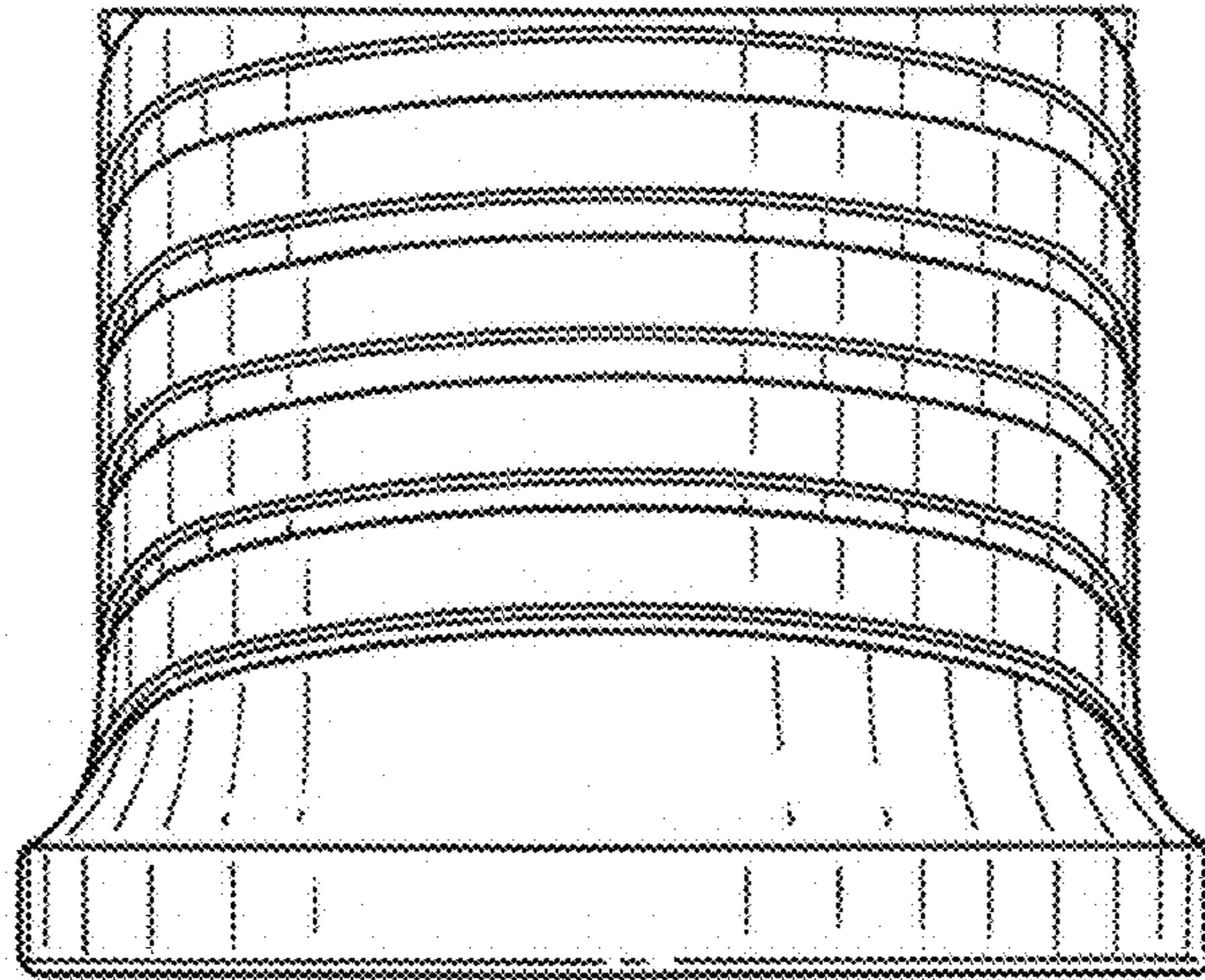


FIG. 5

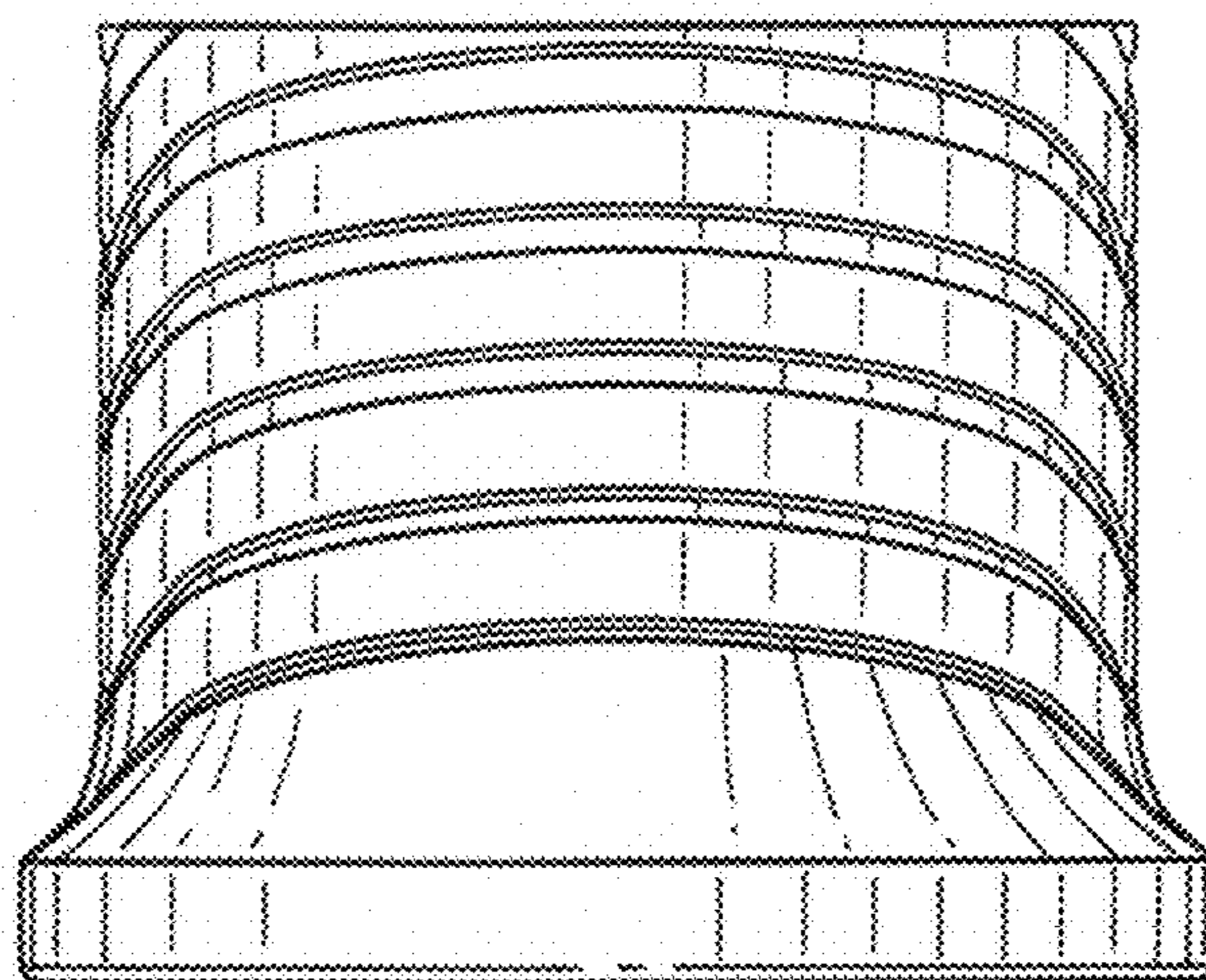


FIG. 6

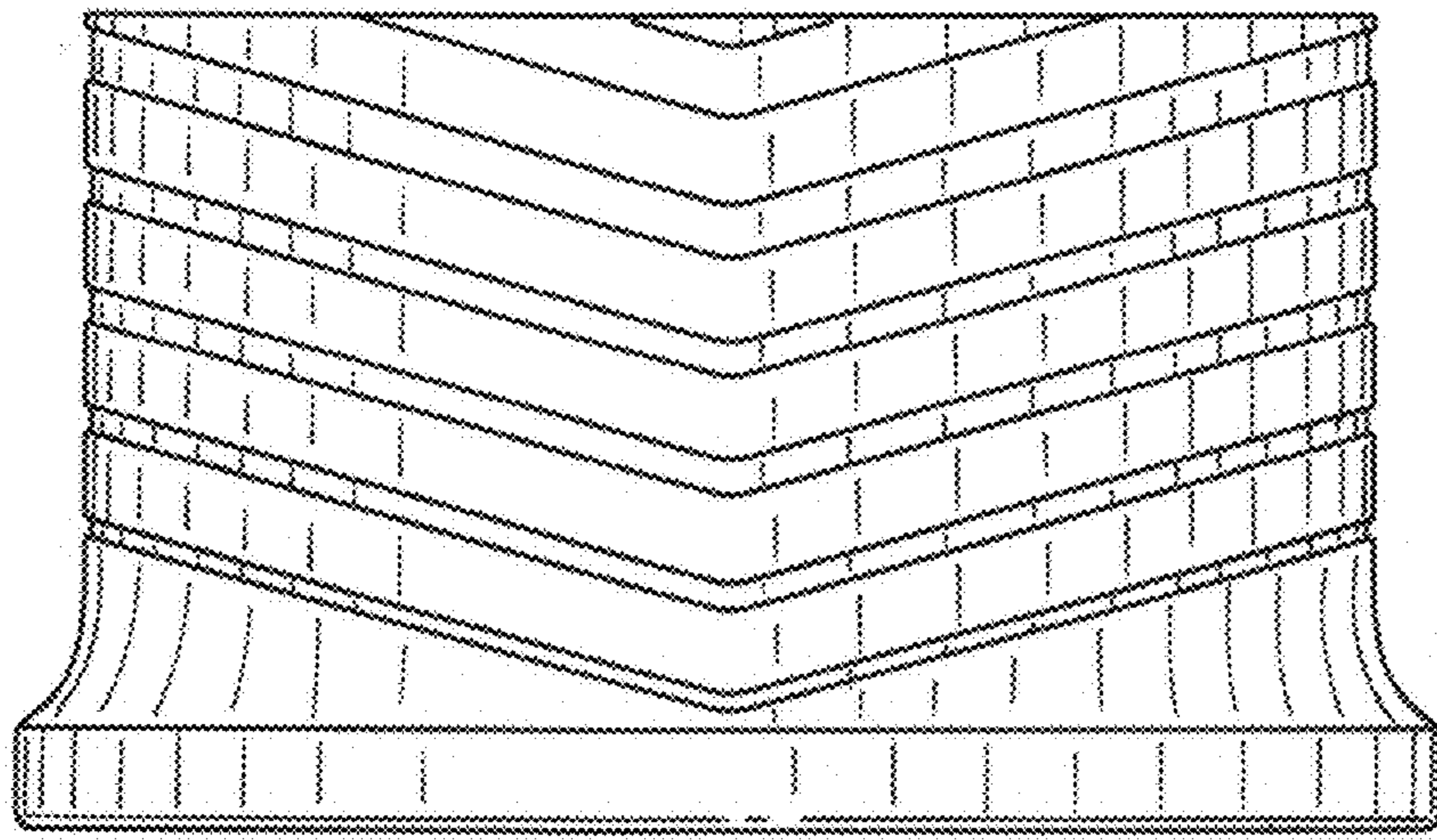


FIG. 7

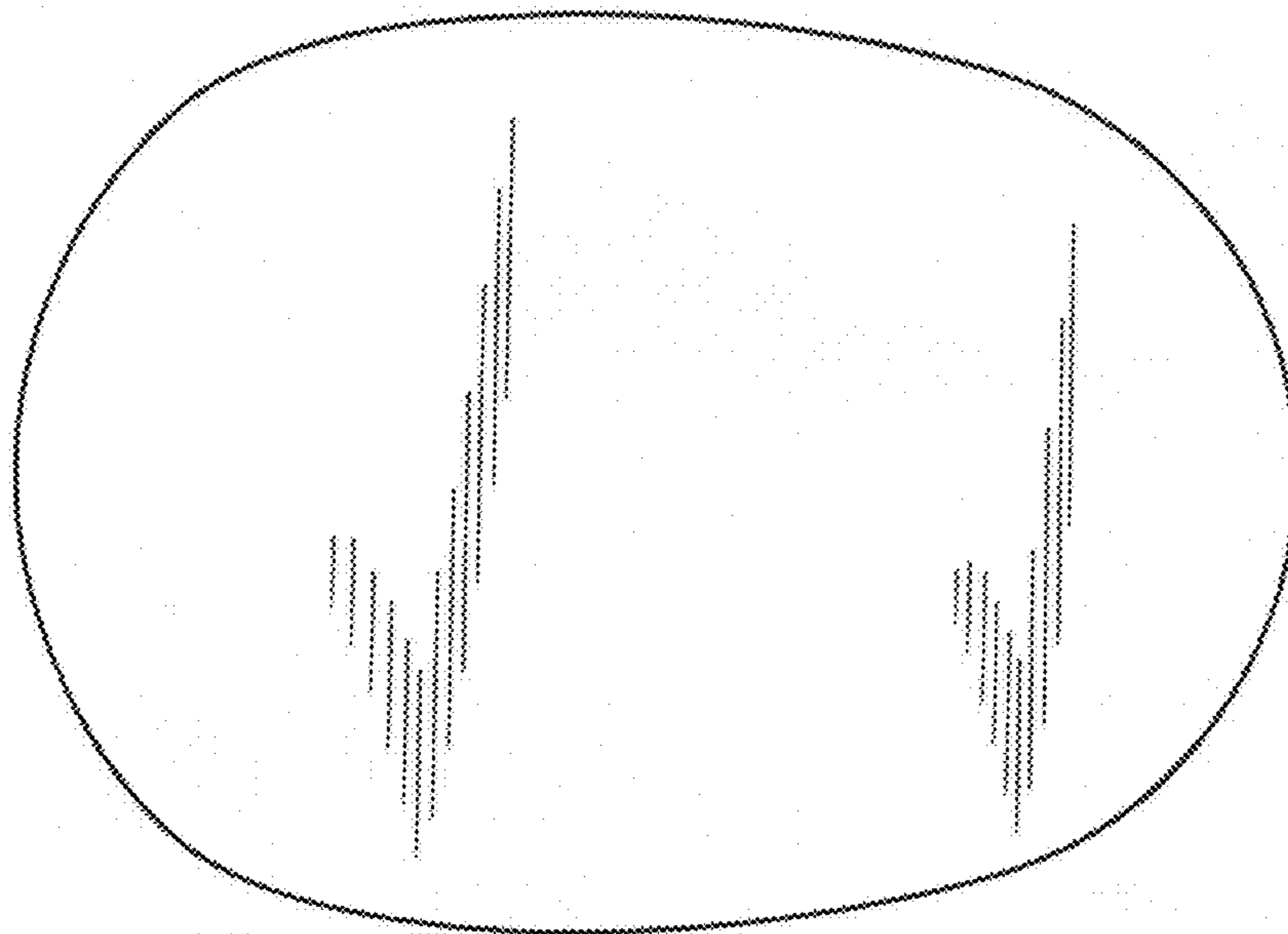


FIG. 8