



US00D931443S

(12) **United States Design Patent**  
**Bainton et al.**

(10) **Patent No.:** **US D931,443 S**

(45) **Date of Patent:** **\*\* Sep. 21, 2021**

(54) **INJECTOR CAP**

(71) Applicant: **Becton Dickinson France, Le**  
Pont-de-Claix (FR)

(72) Inventors: **Eleanor Bainton**, Kineton (GB);  
**Daniel Paul Jenkins**, St Albans (GB);  
**Maartje Saskia Pel**, Leamington Spa  
(GB); **Malcolm Stanley Boyd**,  
Wellesbourne (GB)

(73) Assignee: **Becton Dickinson France, Le**  
Pont-de-Claix (FR)

(\*\*) Term: **15 Years**

(21) Appl. No.: **29/722,891**

(22) Filed: **Feb. 3, 2020**

(51) **LOC (13) Cl.** ..... **24-02**

(52) **U.S. Cl.**  
USPC ..... **D24/130**

(58) **Field of Classification Search**  
USPC ..... D24/112–114, 108, 133, 130, 127, 186;  
606/181, 185; 604/264, 272, 187, 181,  
604/184, 227  
CPC ..... A61M 5/178; A61M 3/00; A61M 5/20;  
A61M 5/31; A61M 5/3146; A61M  
5/3129; A61M 5/3148; A61M 5/315  
See application file for complete search history.

(56) **References Cited**

**U.S. PATENT DOCUMENTS**

8,657,793 B2 \* 2/2014 Pellegrini ..... A61M 5/315  
604/187  
8,911,402 B2 \* 12/2014 Veasey ..... A61M 5/20  
604/122

D777,912 S \* 1/2017 Wohlfahrt ..... D24/130  
D800,303 S \* 10/2017 Ratjen ..... D24/130  
D810,282 S \* 2/2018 Ratjen ..... D24/113  
10,335,553 B2 \* 7/2019 Bendek ..... A61M 5/3204  
D866,757 S \* 11/2019 Diluzio ..... D24/133  
D867,588 S \* 11/2019 Rogge ..... D24/130  
D893,710 S \* 8/2020 Neby ..... D24/114  
D901,008 S \* 11/2020 Nicholas ..... D24/130  
D908,868 S \* 1/2021 Rogge ..... D24/113  
D910,837 S \* 2/2021 Ono ..... D24/112  
D918,382 S \* 5/2021 Naughton ..... D24/112

\* cited by examiner

*Primary Examiner* — David G Muller

(74) *Attorney, Agent, or Firm* — The Webb Law Firm

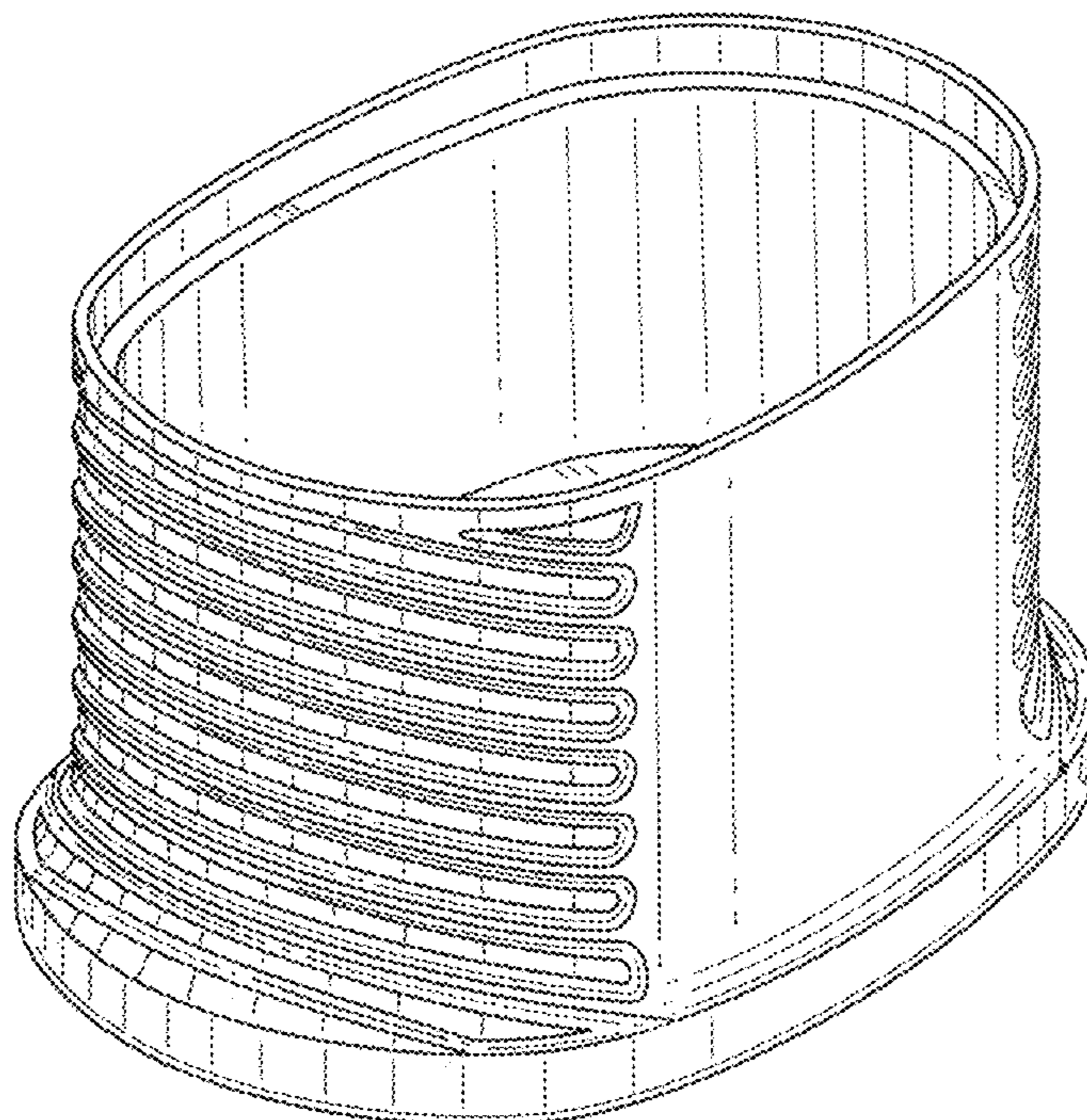
(57) **CLAIM**

The ornamental design for an injector cap, as shown and described.

**DESCRIPTION**

FIG. 1 is a perspective view of an injector cap, showing our new design;  
FIG. 2 is a perspective view thereof;  
FIG. 3 is a top view thereof;  
FIG. 4 is a side view thereof;  
FIG. 5 is front view thereof;  
FIG. 6 is a rear view thereof;  
FIG. 7 is a side view thereof; and,  
FIG. 8 is a bottom view thereof.

**1 Claim, 5 Drawing Sheets**



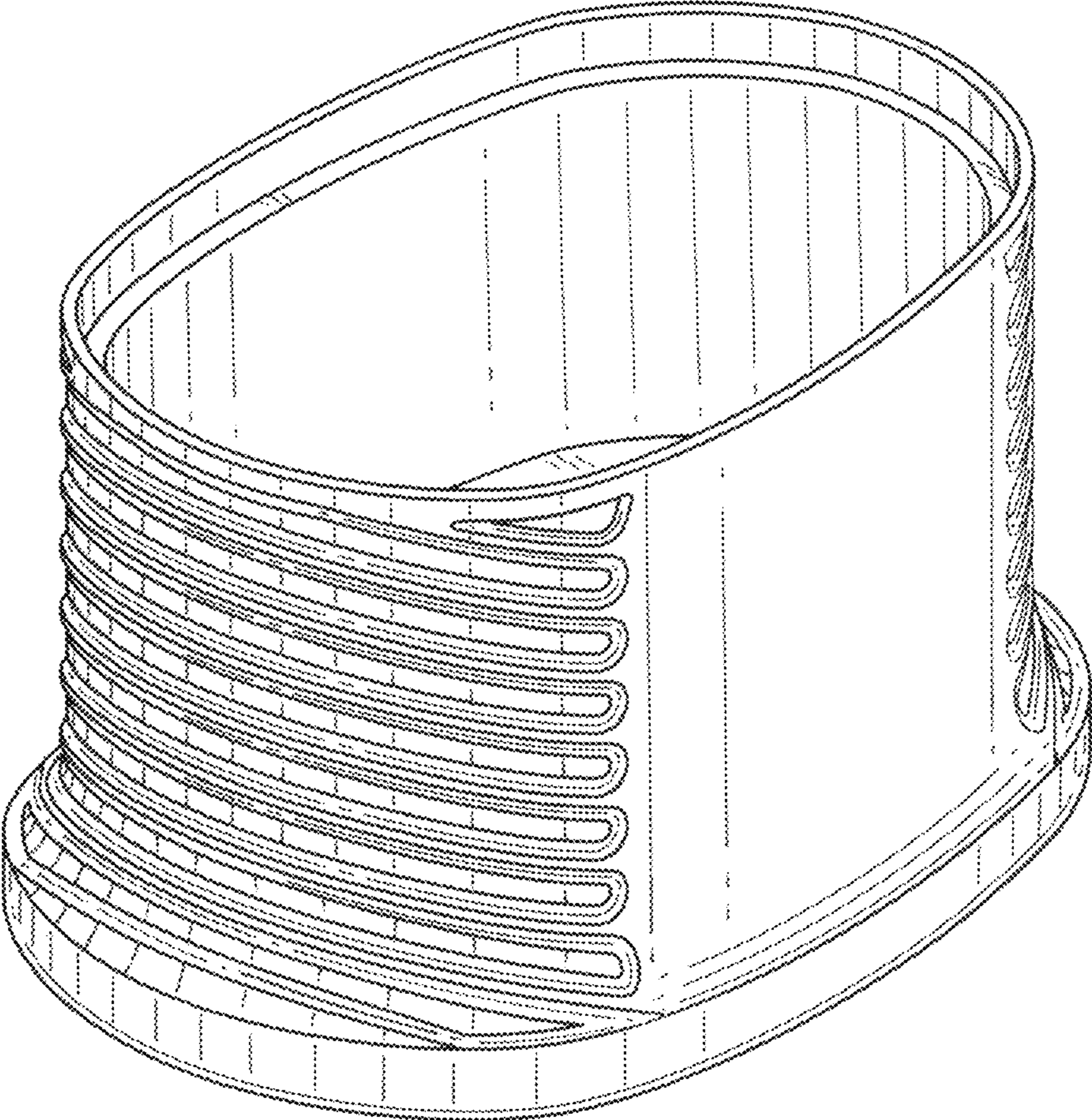


FIG. 1

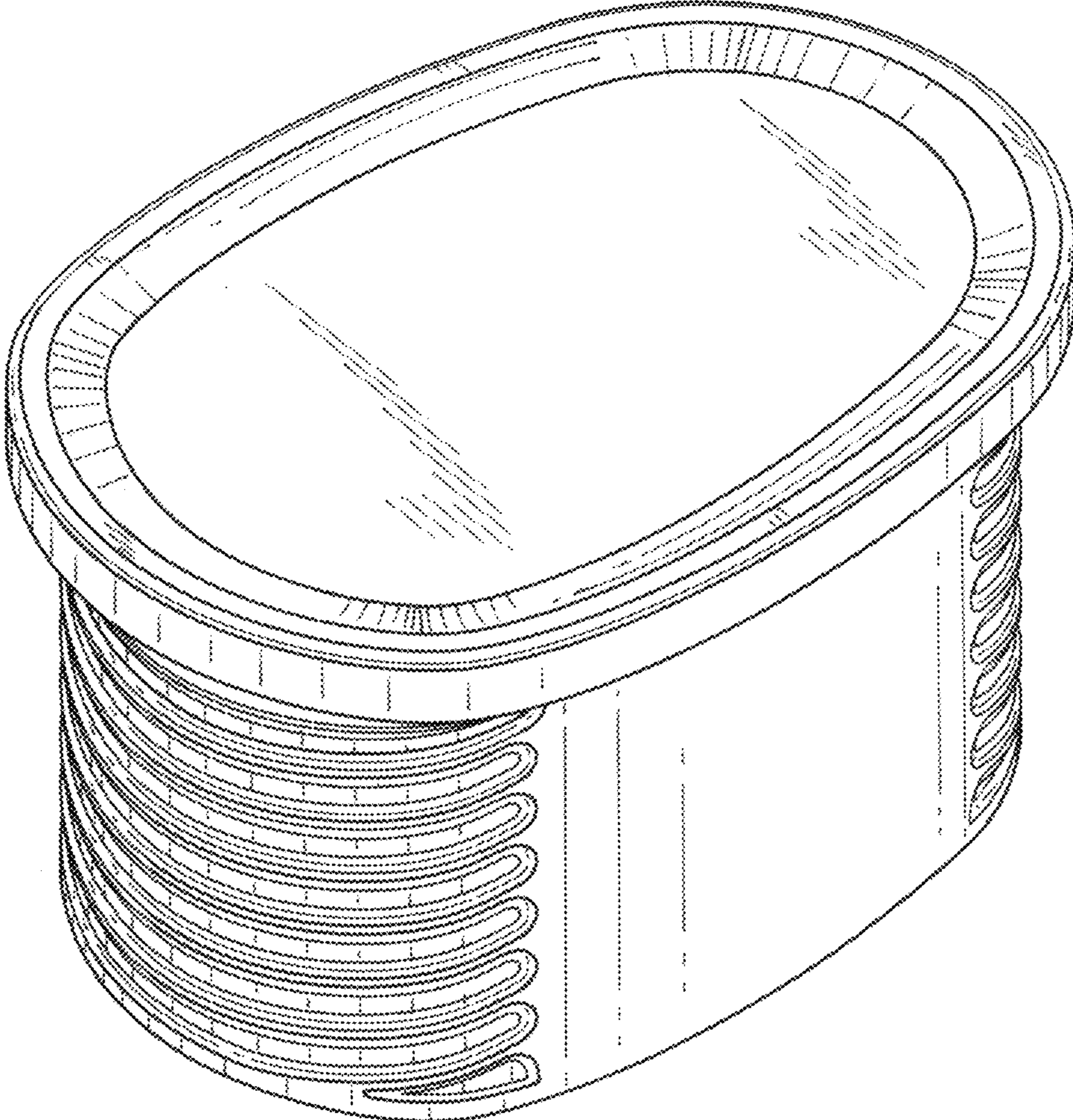


FIG.2

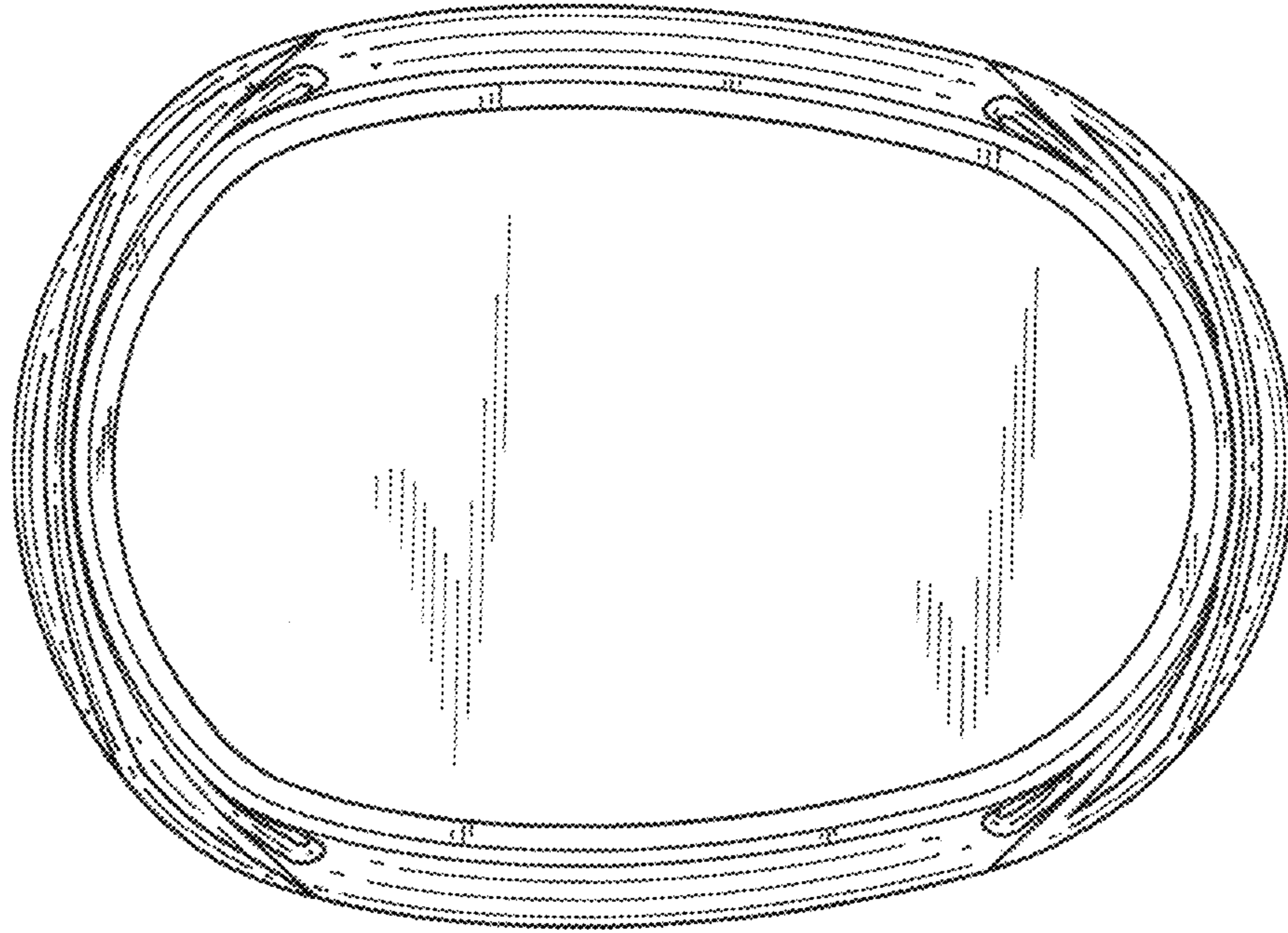


FIG. 3

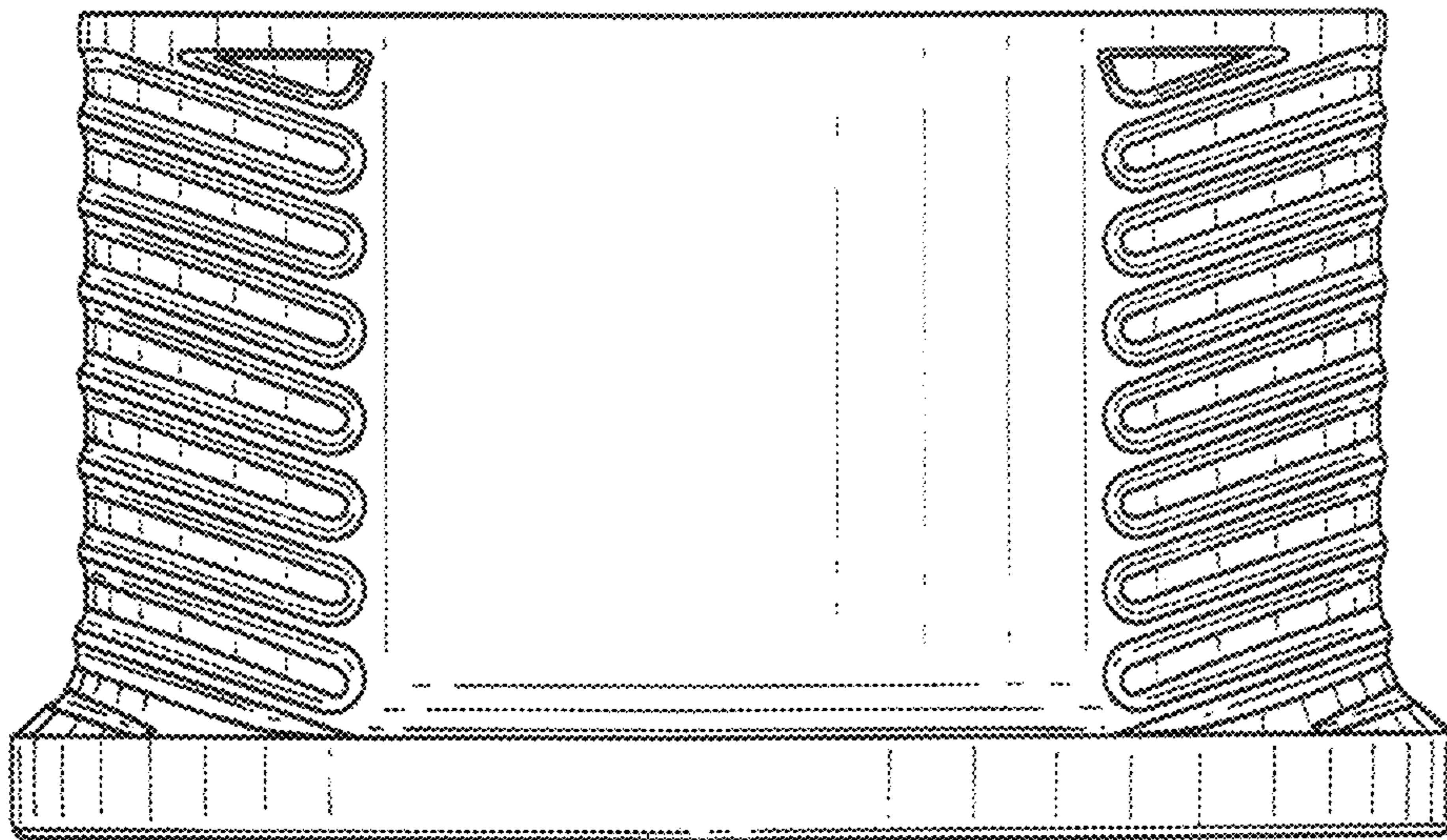


FIG. 4

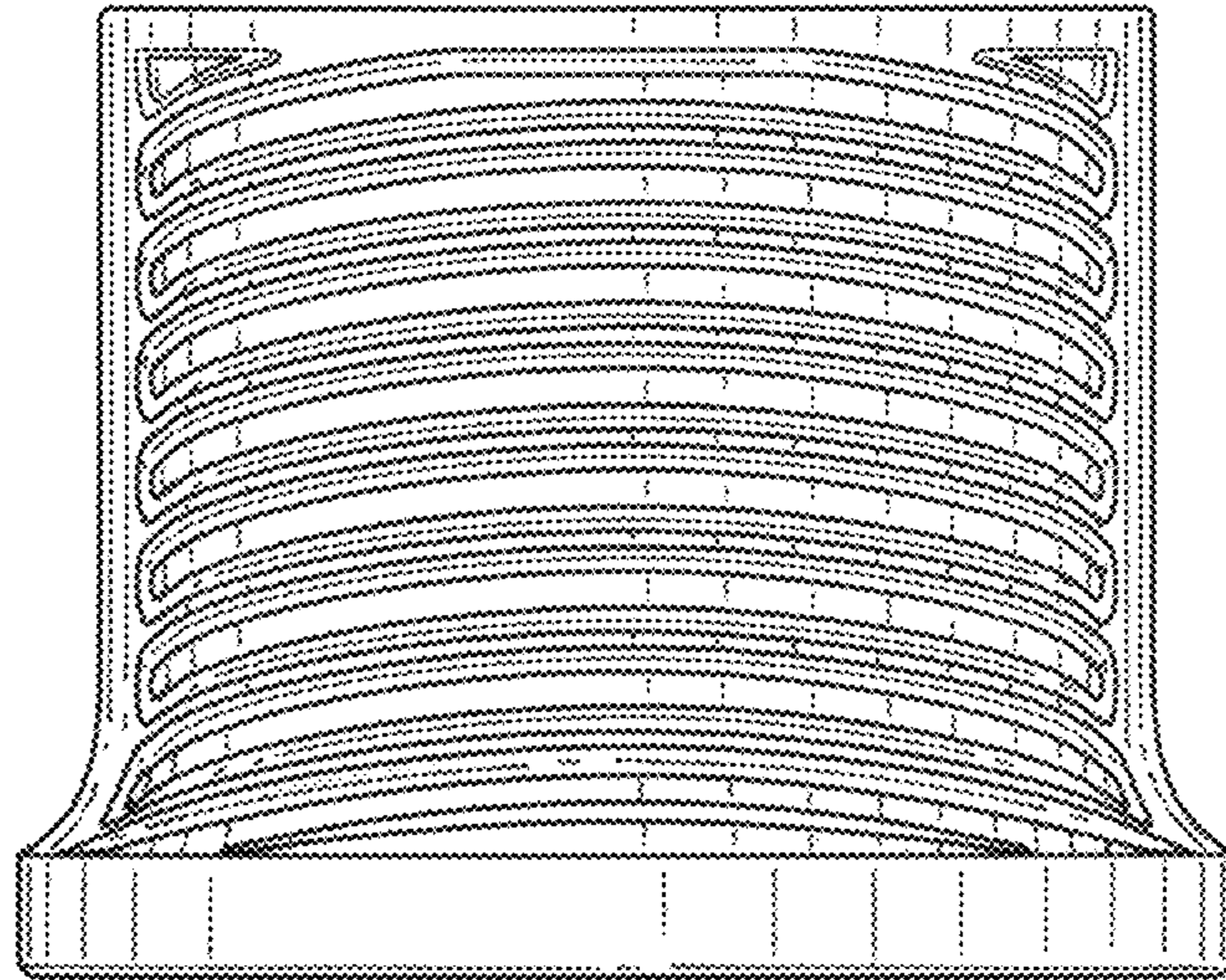


FIG. 5

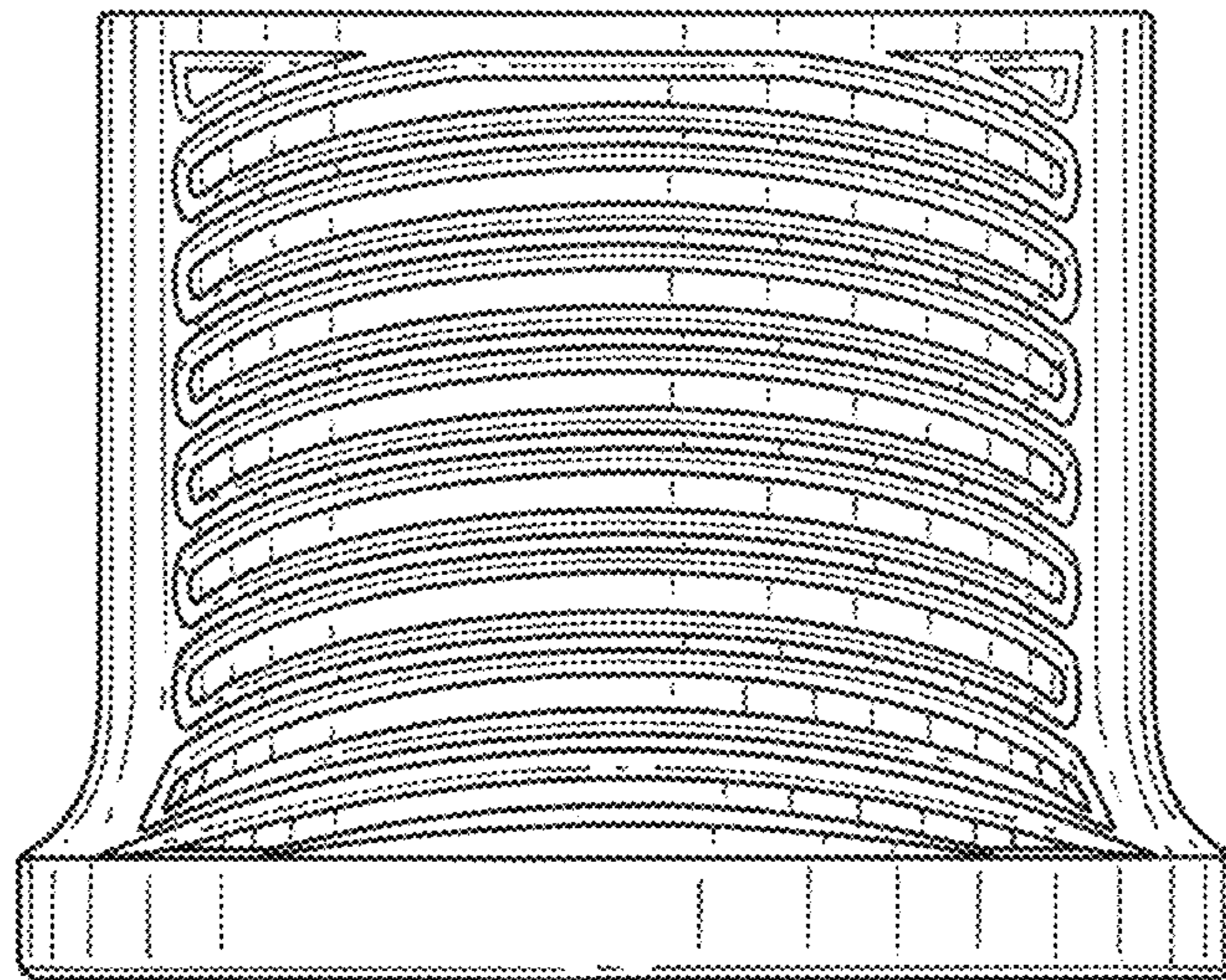


FIG. 6

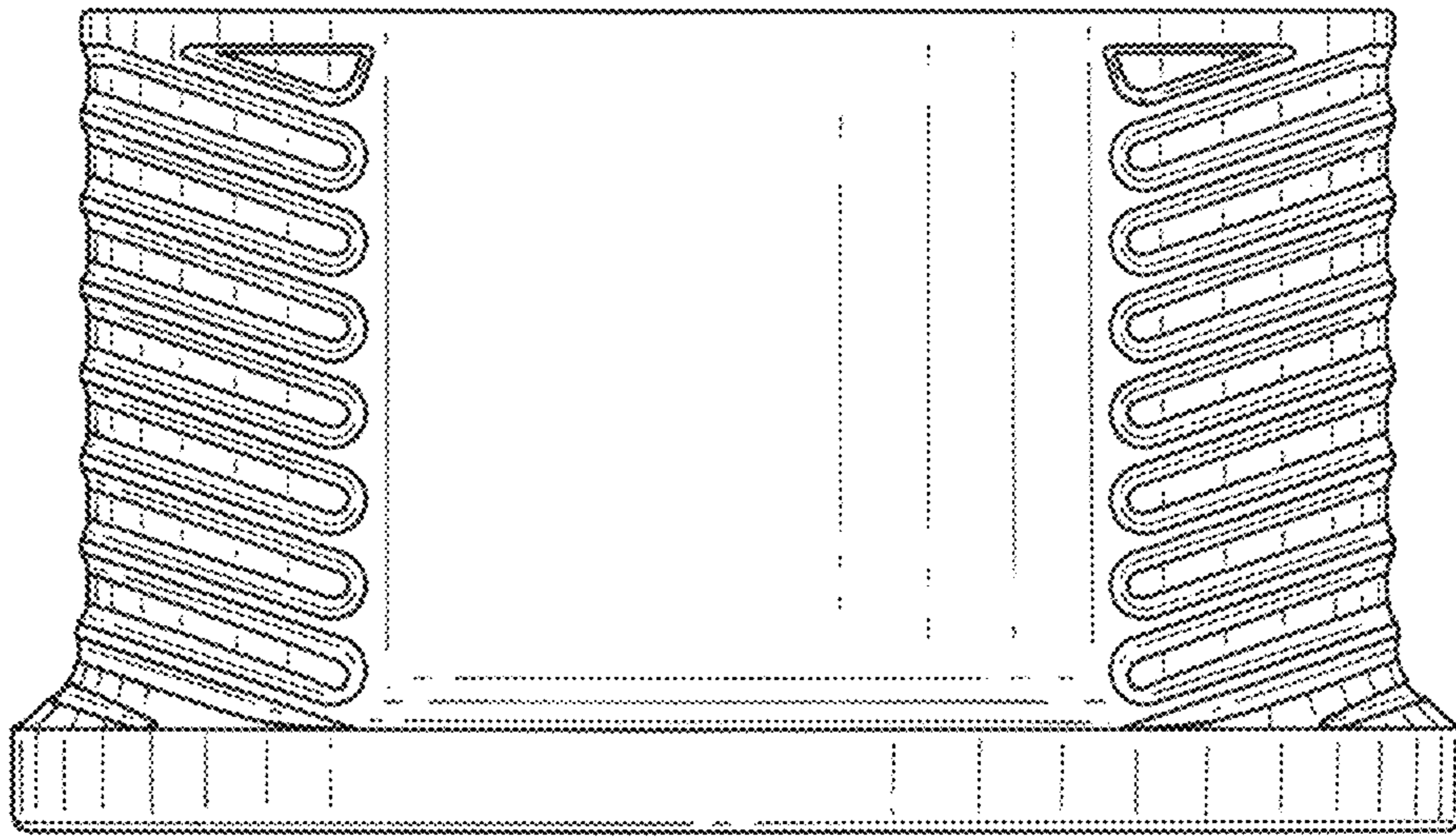


FIG. 7

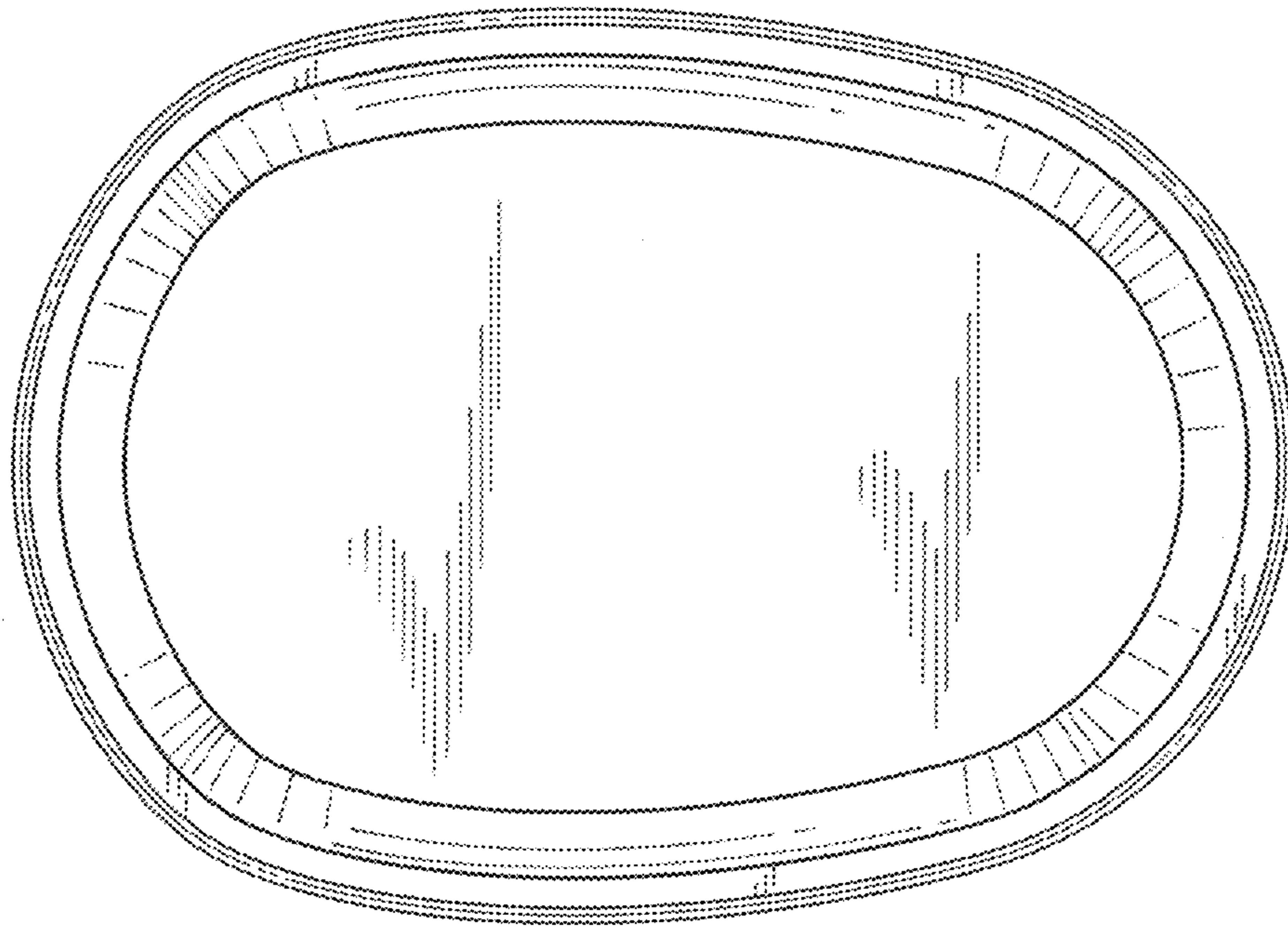


FIG. 8