



US00D931441S

(12) **United States Design Patent** (10) **Patent No.:** **US D931,441 S**
Punim (45) **Date of Patent:** **** Sep. 21, 2021**

(54) **PORT RETENTION CLIP**
(71) Applicant: **ICU Medical, Inc.**, San Clemente, CA (US)
(72) Inventor: **Amanda Punim**, Dana Point, CA (US)
(73) Assignee: **ICU Medical, Inc.**, San Clemente, CA (US)
(**) Term: **15 Years**

7,507,226 B2 3/2009 Stanus et al.
7,744,581 B2 6/2010 Wallen et al.
7,758,560 B2 7/2010 Connell et al.
7,780,644 B2 8/2010 Miyajima et al.
(Continued)

FOREIGN PATENT DOCUMENTS

CN 201426880 Y 3/2010
CN 201719627 U 1/2011
(Continued)

(21) Appl. No.: **29/691,881**
(22) Filed: **May 20, 2019**
(51) **LOC (13) Cl.** **24-02**
(52) **U.S. Cl.**
USPC **D24/127**
(58) **Field of Classification Search**
USPC D8/356, 383, 358, 394, 354, 360;
D24/127-129; D11/206, 215, 218
CPC A61B 1/00068; A61B 1/0014; A61B
1/00147; A61B 1/015
See application file for complete search history.

OTHER PUBLICATIONS

AMT Clamp Feeding Tube Clamp, Date Visited: May 4, 2021, Vitality Medical, Date Available: Jul. 8, 2011, <https://www.vitalitymedical.com/applied-medical-tech-amt-clamp-feeding-tube-clamp-connector.html> (Year: 2011).*
(Continued)

Primary Examiner — Susan Bennett Hattan
Assistant Examiner — Elizabeth S Ko
(74) *Attorney, Agent, or Firm* — Knobbe, Martens, Olson & Bear, LLP

(56) **References Cited**
U.S. PATENT DOCUMENTS

4,333,505 A 6/1982 Jones et al.
D265,508 S * 7/1982 Rusteberg D24/128
D283,918 S * 5/1986 Jacobson 251/10
D308,011 S * 5/1990 Norris D27/138
5,289,858 A 3/1994 Grabenkort
5,334,179 A 8/1994 Poli et al.
5,472,434 A 12/1995 Lechleiter
D379,509 S * 5/1997 Macko D24/128
5,839,715 A 11/1998 Leinsing
5,897,526 A 4/1999 Vaillancourt
D410,740 S * 6/1999 Molina D24/108
6,022,339 A 8/2000 Fowles et al.
6,485,472 B1 11/2002 Richmond
6,726,672 B1 4/2004 Hanly et al.
D540,466 S * 4/2007 Homra A61G 13/101
D24/128
D573,250 S * 7/2008 MacRae D24/108

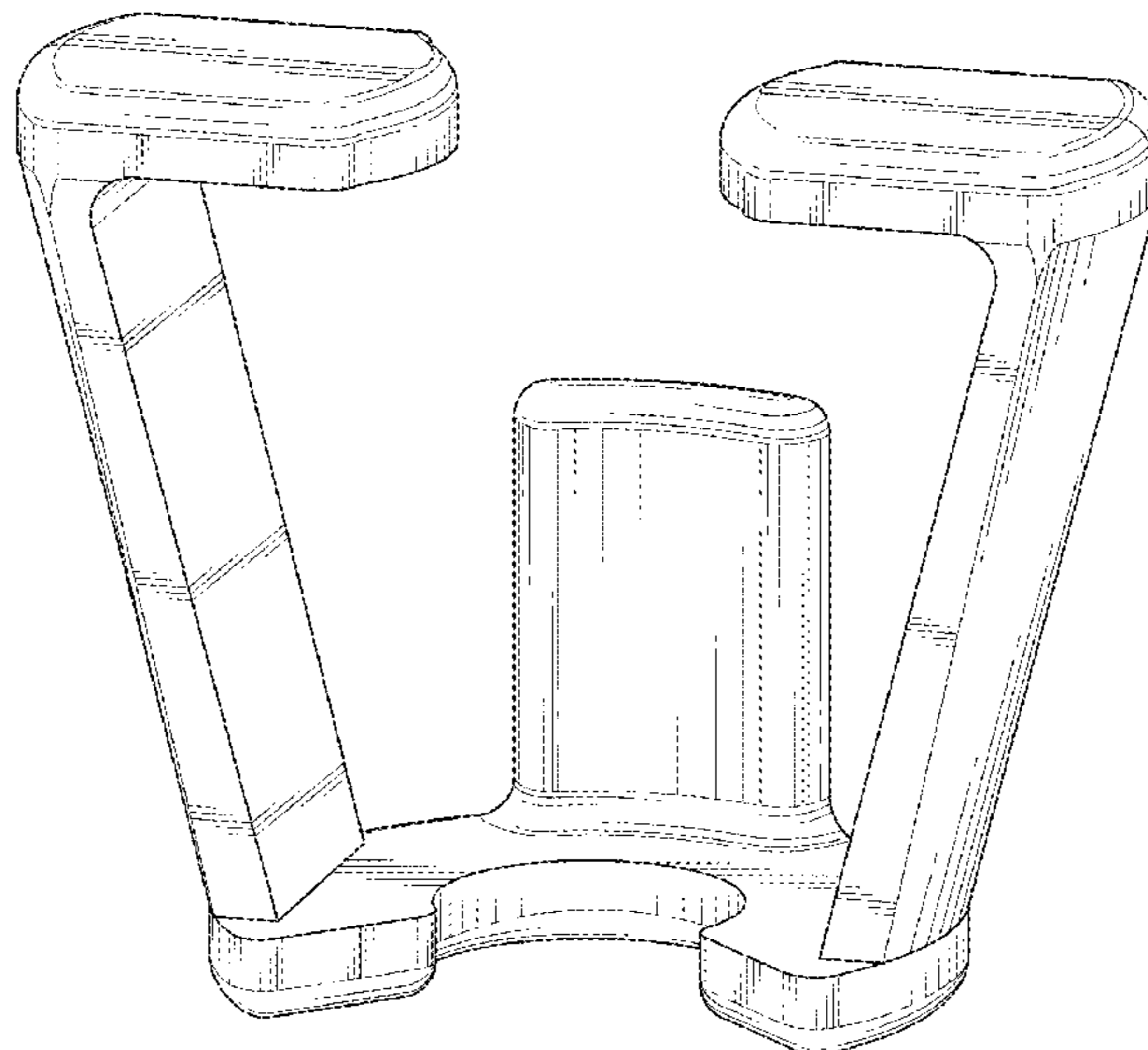
(57) **CLAIM**

The ornamental design for a port retention clip, as shown and described.

DESCRIPTION

FIG. 1 is a front perspective view of a port retention clip showing our new design;
FIG. 2 is a front elevational view thereof;
FIG. 3 is a rear elevational view thereof;
FIG. 4 is a right side elevational view thereof;
FIG. 5 is a left side elevational view thereof;
FIG. 6 is a top plan view thereof; and,
FIG. 7 is a bottom plan view thereof.

1 Claim, 6 Drawing Sheets



(56)

References Cited

U.S. PATENT DOCUMENTS

7,867,215 B2 1/2011 Akerlund et al.
D647,787 S * 11/2011 Duval D8/394
D657,460 S * 4/2012 Uhlenkamp D24/128
D657,869 S * 4/2012 Mammen D24/128
8,162,013 B2 4/2012 Rosenquist et al.
D691,874 S * 10/2013 Ganski D8/356
D701,303 S * 3/2014 Cook D24/128
D704,829 S * 5/2014 McAtamney D24/128
D715,427 S * 10/2014 Jovet-Hug D24/128
8,864,725 B2 10/2014 Ranalletta et al.
D719,013 S * 12/2014 St. John D8/356
D724,724 S * 3/2015 McAtamney D24/128
D733,535 S * 7/2015 Egami D8/356
9,144,646 B2 9/2015 Barron, III et al.
D749,209 S * 2/2016 Uhlenkamp D24/128
9,254,361 B2 2/2016 Rahimy et al.
D757,258 S * 5/2016 Weißhaupt D24/127
D758,175 S * 6/2016 Symons D8/383
D763,068 S * 8/2016 Symons D8/383
9,532,927 B2 1/2017 Kraus et al.
D798,136 S * 9/2017 Pittman D8/382
D815,735 S * 4/2018 Aliberti D24/128
D817,153 S * 5/2018 Harogolige Padmanabha
D8/356
D820,978 S * 6/2018 Koehler D24/128
D822,202 S * 7/2018 Roth D24/128
D826,034 S * 8/2018 Feng D8/356
D826,399 S * 8/2018 Smith D24/128
10,085,866 B2 10/2018 Wojcik et al.
D836,428 S * 12/2018 Pittman D8/382

D852,354 S * 6/2019 Wrangmark D24/128
D884,885 S * 5/2020 Hu D24/128
D892,607 S * 8/2020 Boscarello D8/394
D896,372 S * 9/2020 Julian D24/129
2008/0103484 A1 5/2008 Hishikawa et al.
2016/0136412 A1 5/2016 McKinnon et al.
2018/0133451 A1 5/2018 Takeuchi
2018/0280238 A1 10/2018 Fuchs

FOREIGN PATENT DOCUMENTS

CN 201987971 U 9/2011
CN 205612811 U 10/2016
DE 19931771 A1 1/2001
DE 102005015504 A1 10/2006
DE 102009004459 A1 7/2010
DE 102009004461 A1 7/2010
EP 1584347 B1 6/2006
EP 2349404 B1 11/2013
JP H07124264 A 5/1995
JP 2003047663 A 2/2003
WO WO 1996/00053 A1 1/1996
WO WO 2010/140063 A2 12/2010

OTHER PUBLICATIONS

Medical Disposable Product, Date Visited: May 4, 2021, Alibaba, Date Available: May 4, 2021, https://www.alibaba.com/product-detail/medical-disposable-products-parts-of-iv_60715891761.html (Year: 2021).*

* cited by examiner

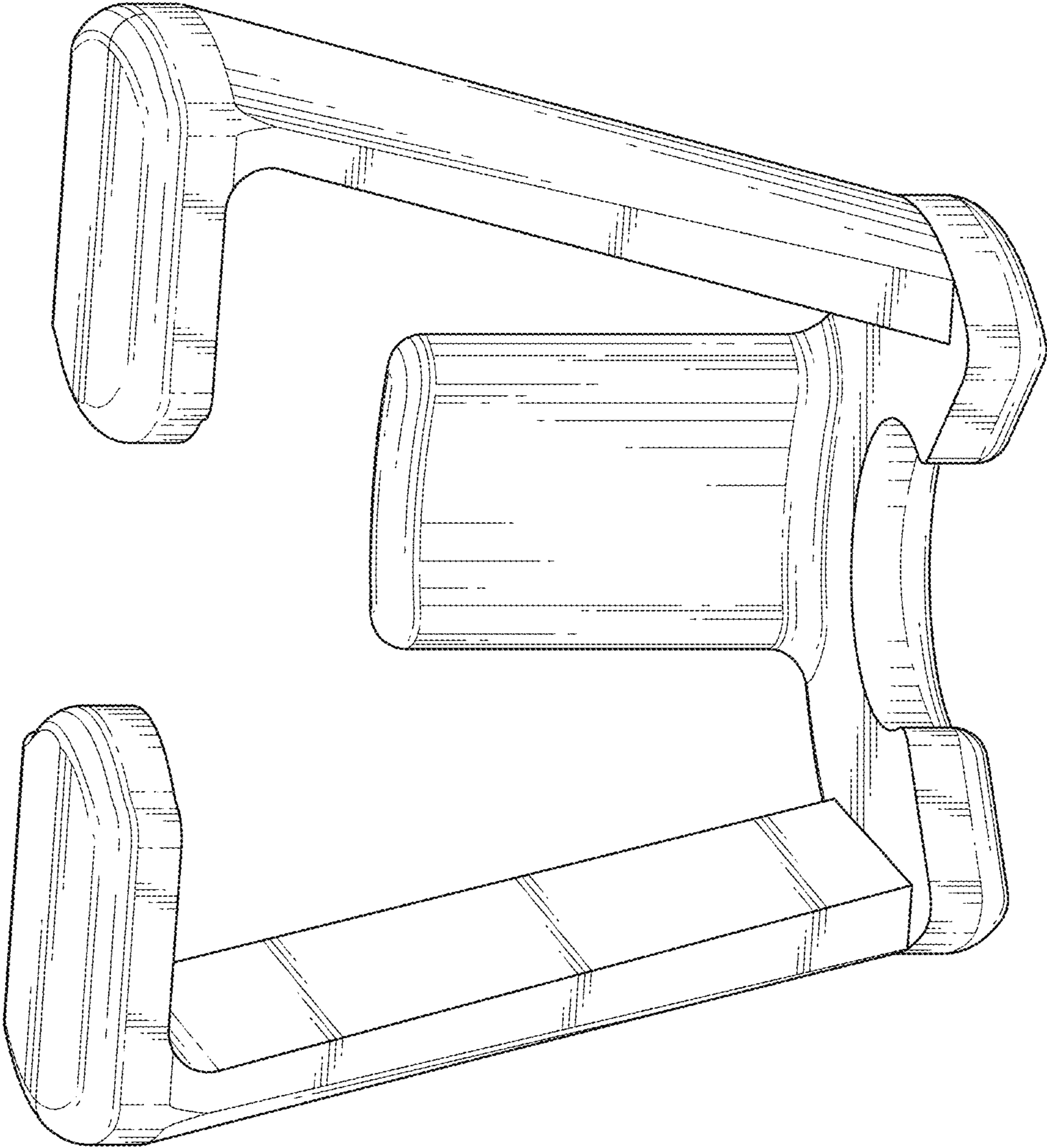


FIG. 1

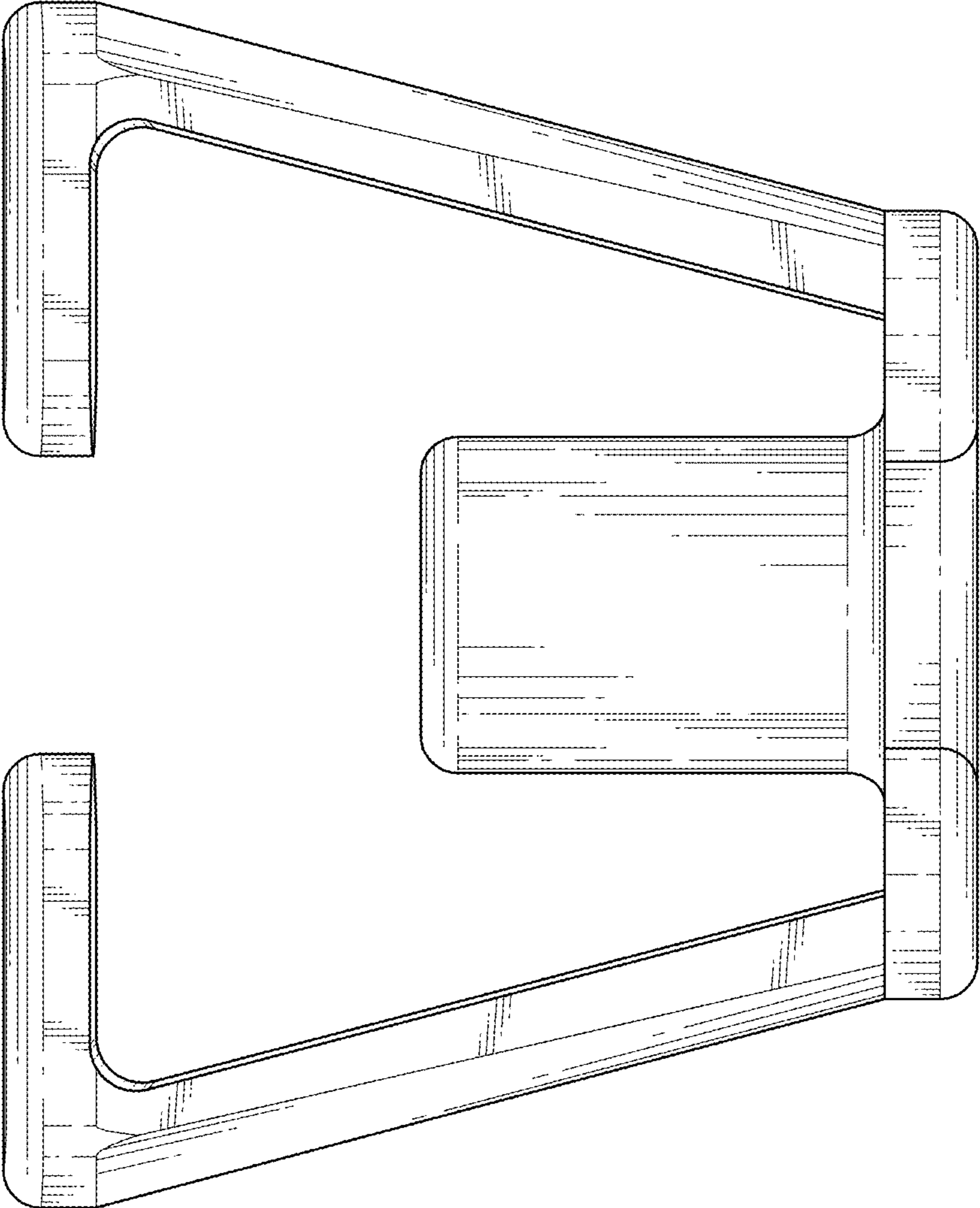


FIG. 2

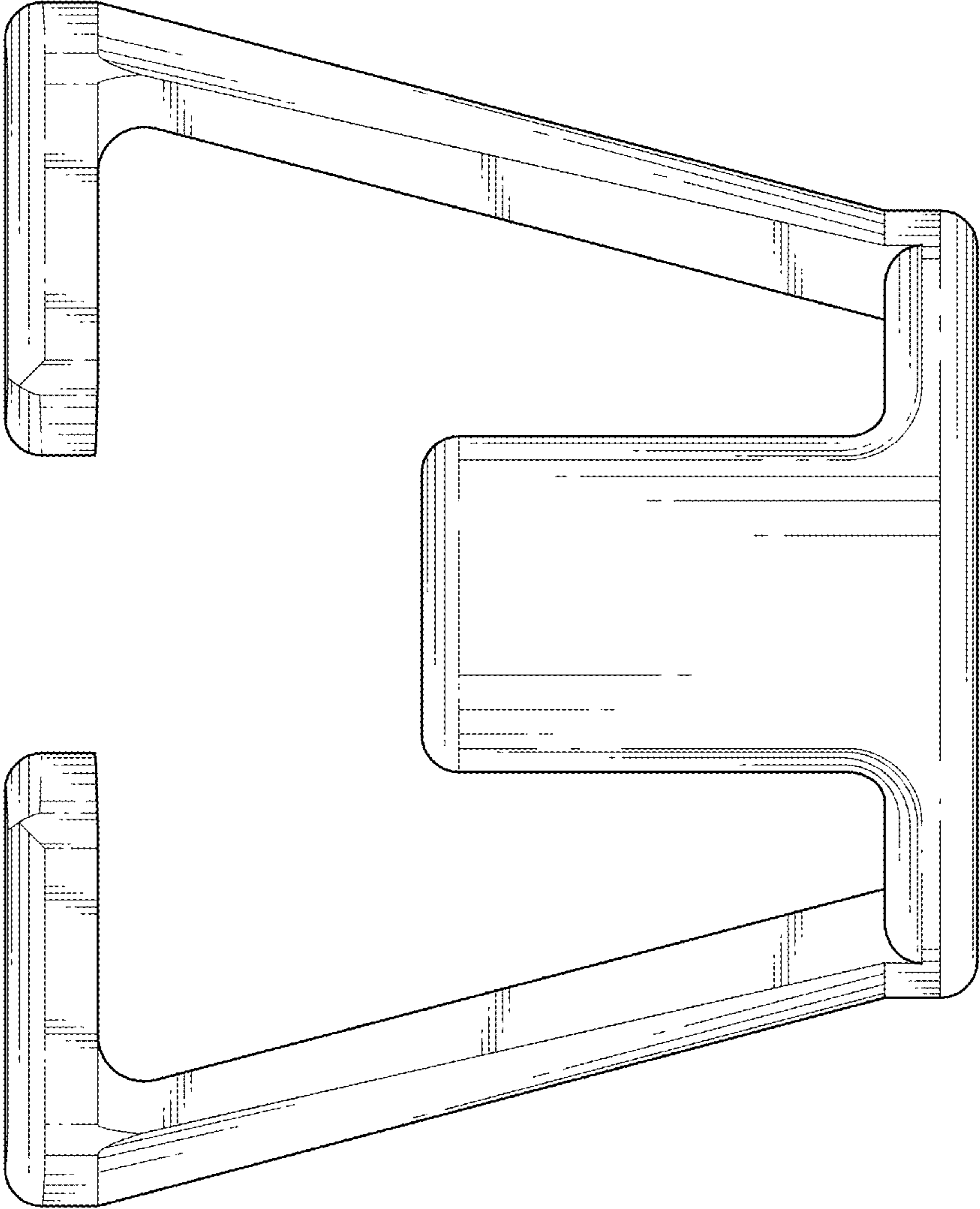


FIG. 3

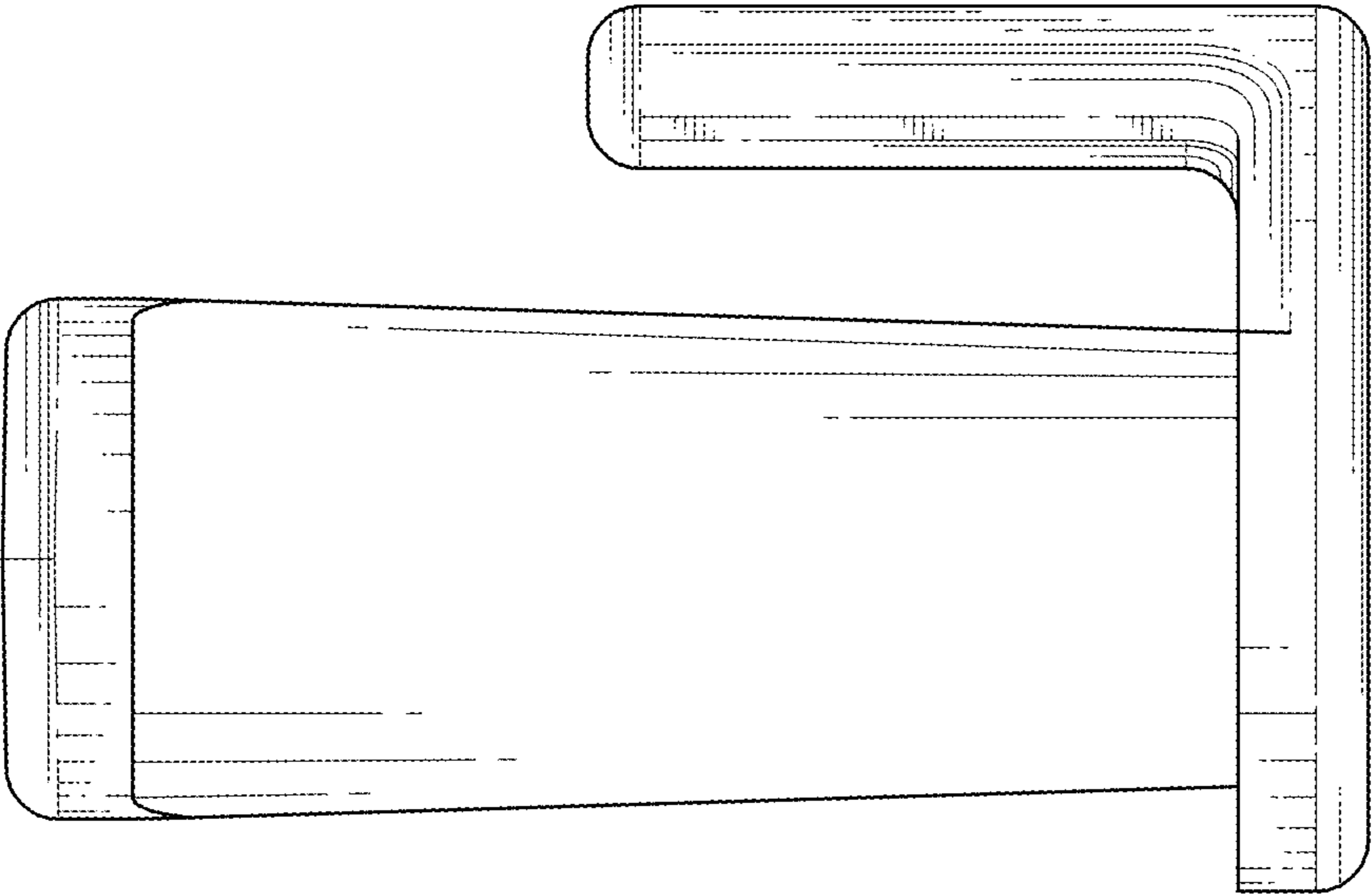


FIG. 4

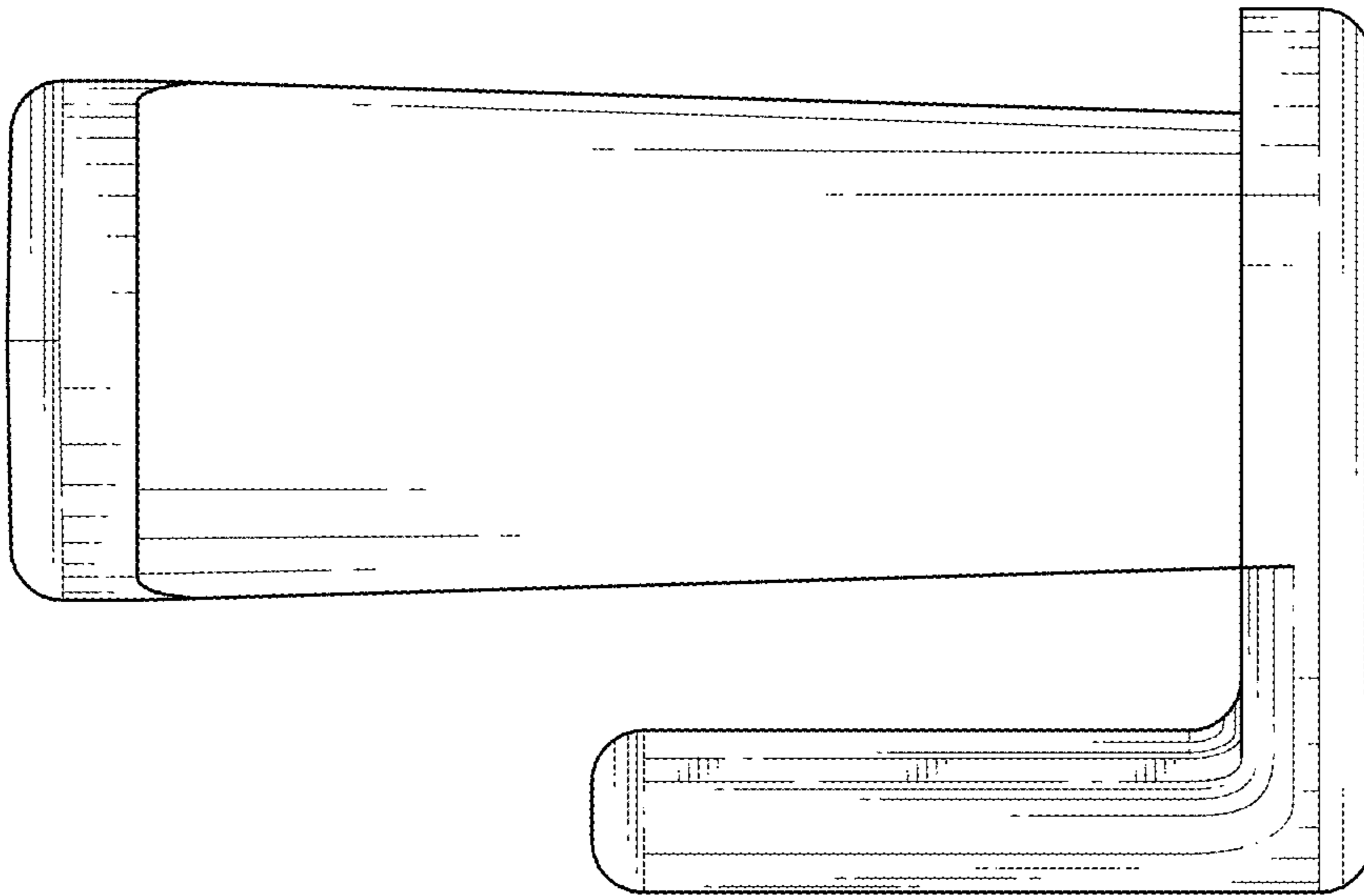


FIG. 5

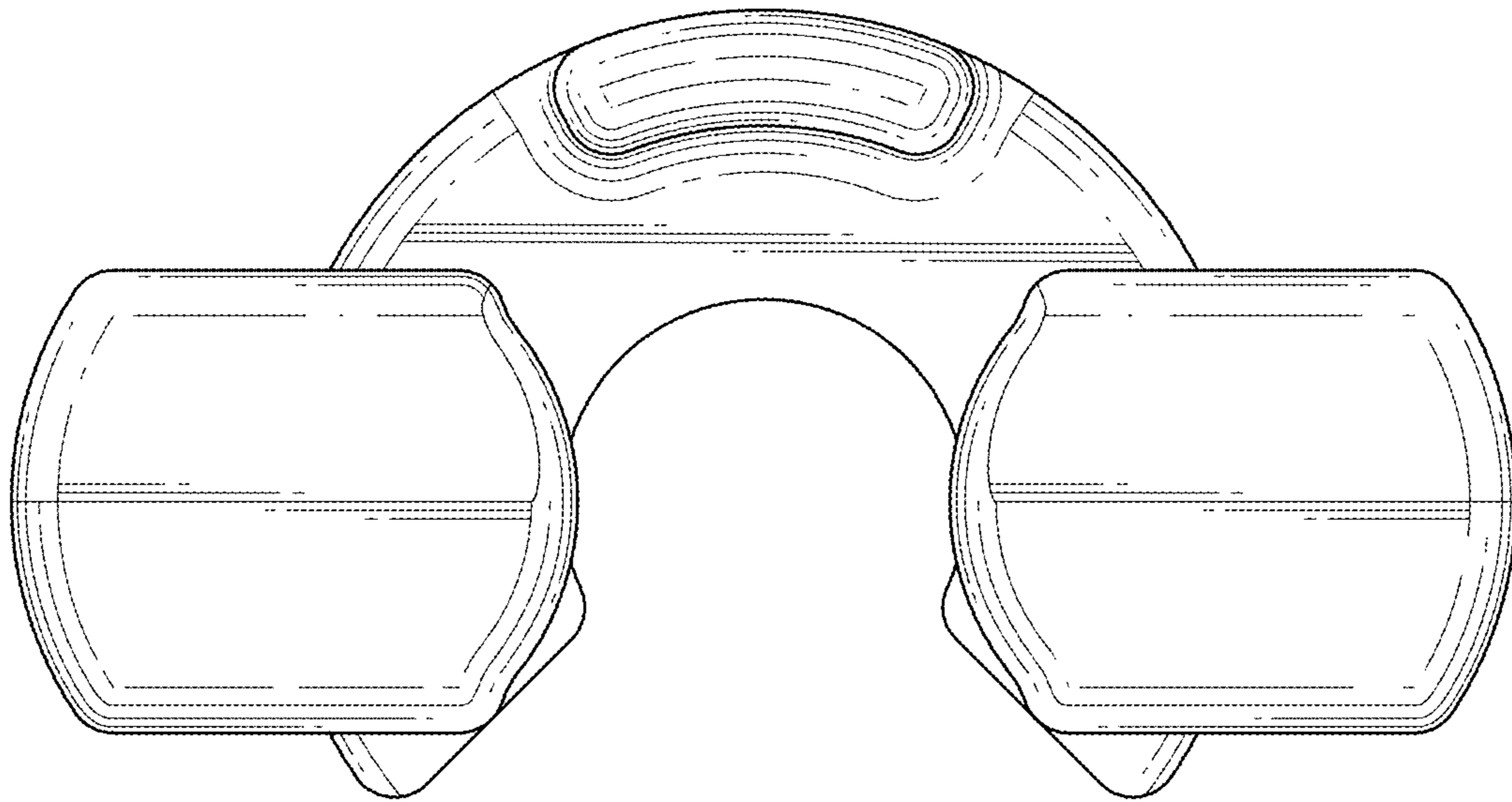


FIG. 6

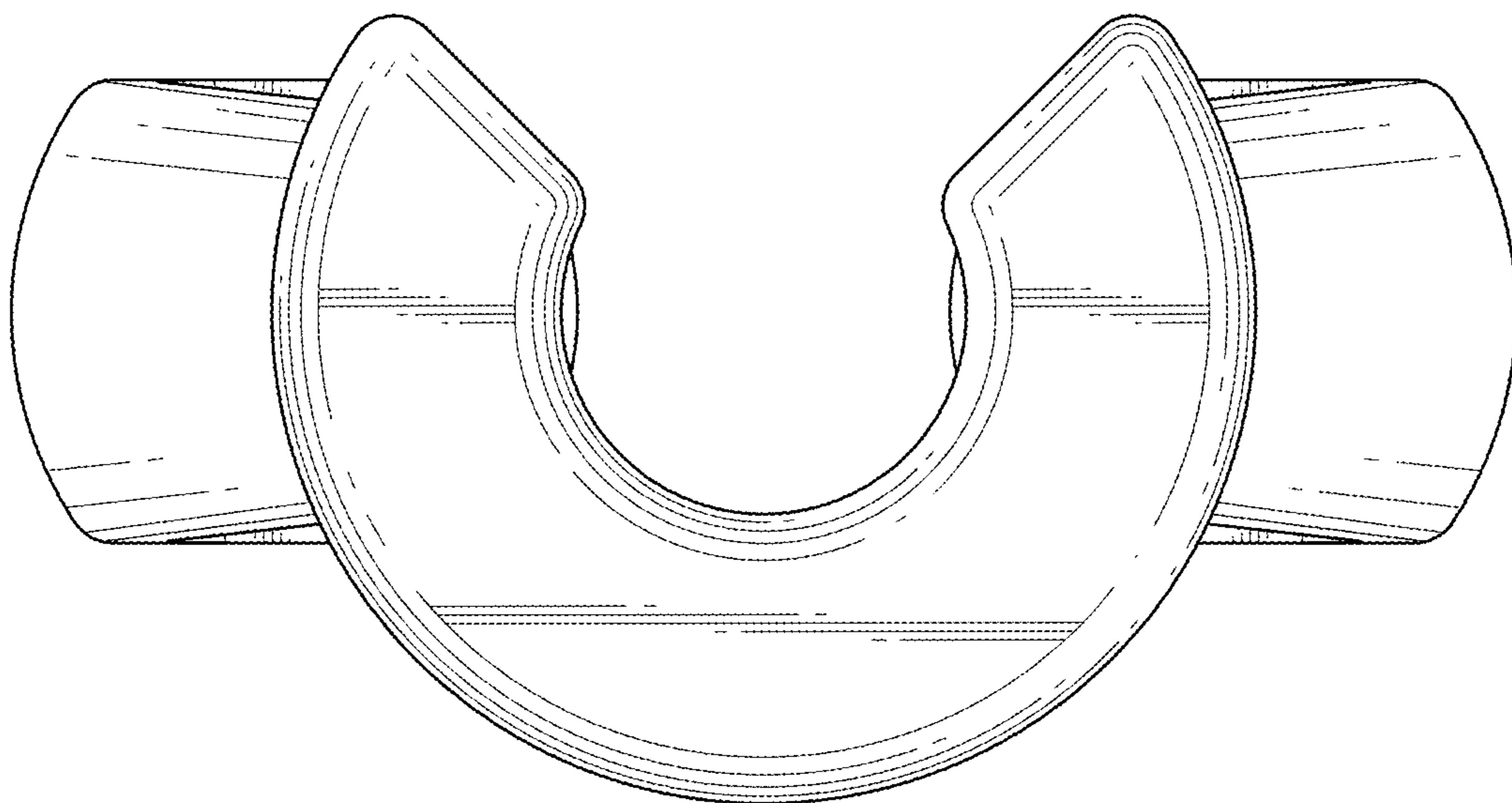


FIG. 7