



US00D931438S

(12) **United States Design Patent** (10) **Patent No.:** **US D931,438 S**
Ono (45) **Date of Patent:** **** Sep. 21, 2021**

(54) **AUTO INJECTOR**

(71) Applicant: **NiPPharma Co., Ltd.**, Tokyo (JP)

(72) Inventor: **Shinichi Ono**, Tokyo (JP)

(73) Assignee: **NiPPharma Co., Ltd.**, Tokyo (JP)

(**) Term: **15 Years**

(21) Appl. No.: **29/675,280**

(22) Filed: **Dec. 30, 2018**

(30) **Foreign Application Priority Data**

Aug. 22, 2018 (JP) 2018-018295

(51) **LOC (13) Cl.** **24-02**

(52) **U.S. Cl.**
USPC **D24/112**

(58) **Field of Classification Search**
USPC D24/112-114, 108, 133, 130, 127, 186;
606/181, 185; 604/264, 272, 187, 181,
604/184, 227
CPC A61M 5/178; A61M 3/00; A61M 5/20;
A61M 5/31; A61M 5/3146; A61M
5/3129; A61M 5/3148; A61M 5/315
See application file for complete search history.

(56) **References Cited**

U.S. PATENT DOCUMENTS

D479,599 S * 9/2003 Bainton D19/167
D479,600 S * 9/2003 Bainton D24/112

D479,601 S * 9/2003 Tyce D19/164
D479,602 S * 9/2003 Bainton D19/164
D479,603 S * 9/2003 Tyce D19/164
D491,263 S * 6/2004 Hawley D19/164
D752,738 S * 3/2016 Riess D24/113
D755,370 S * 5/2016 Riess D24/113
D770,038 S * 10/2016 Ahlgrim D24/113
D770,610 S * 11/2016 Saussaye D24/113
D770,611 S * 11/2016 Saussaye D24/114
D775,723 S * 1/2017 Rowe D24/112
D810,282 S * 2/2018 Ratjen D24/113

* cited by examiner

Primary Examiner — David G Muller

(74) *Attorney, Agent, or Firm* — Pyprus Pte Ltd; George D. Liu

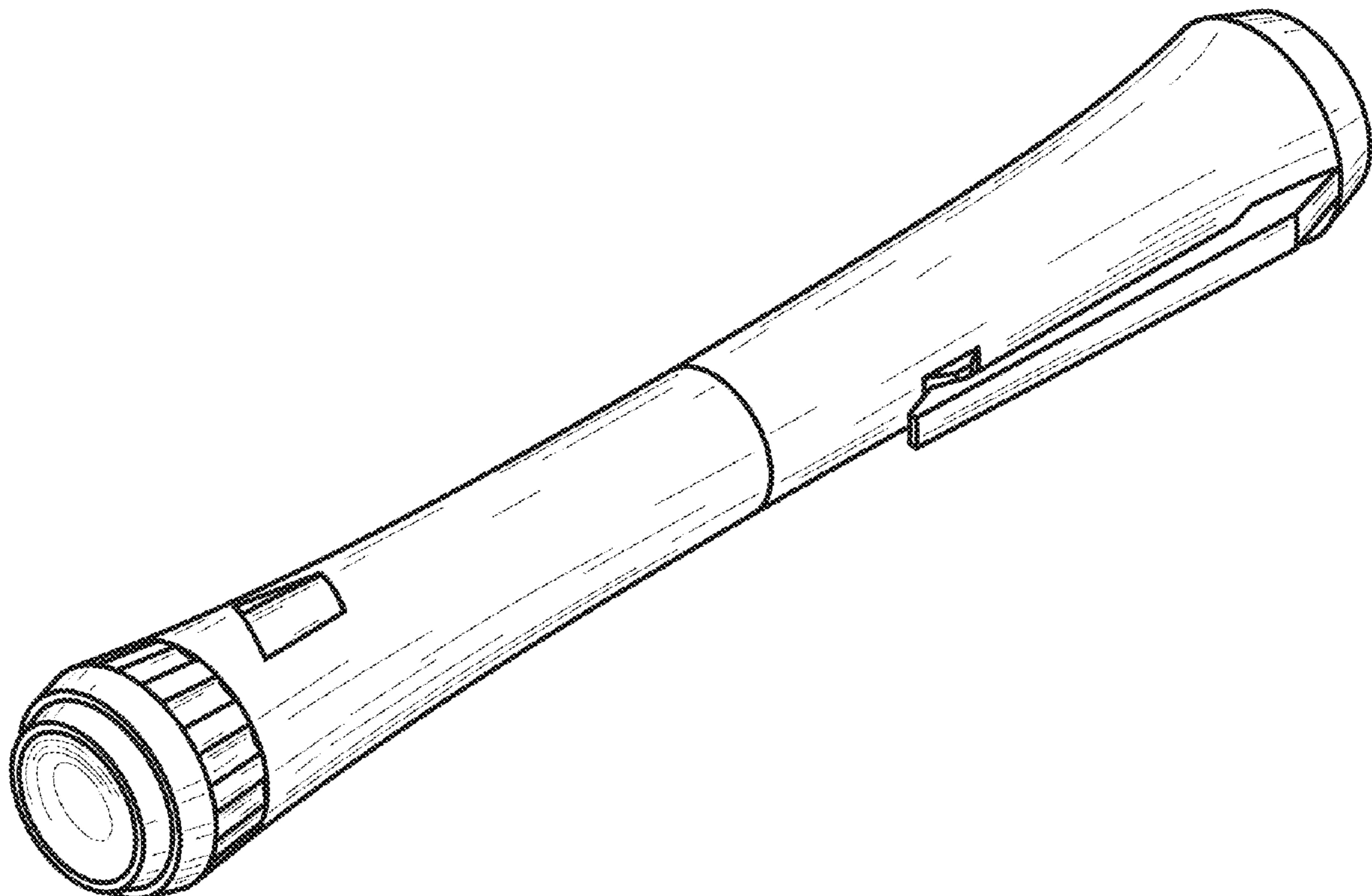
(57) **CLAIM**

The ornamental design for an auto injector, as shown and described.

DESCRIPTION

FIG. 1 is a front elevation view of the auto injector of my new design;
FIG. 2 is a rear elevation view thereof;
FIG. 3 is a left side elevation view thereof;
FIG. 4 is a right side elevation view thereof;
FIG. 5 is a top plan view thereof;
FIG. 6 is a bottom plan view thereof; and,
FIG. 7 is a perspective view thereof.

1 Claim, 7 Drawing Sheets



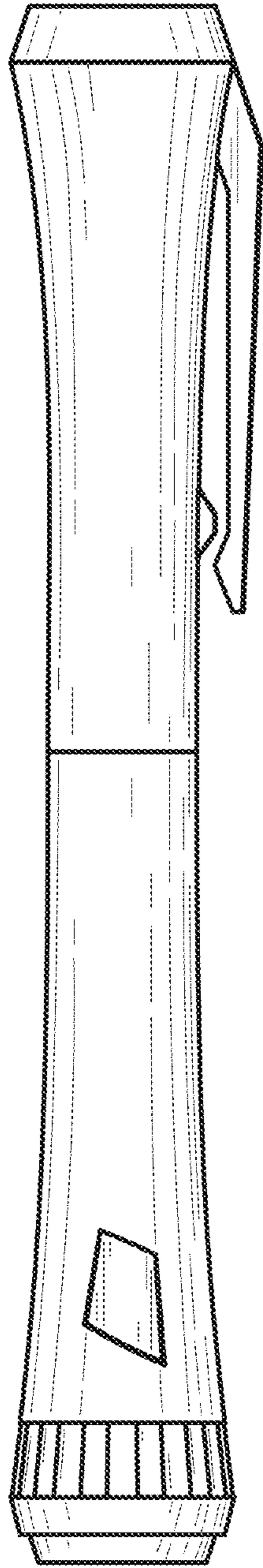


FIG. 1

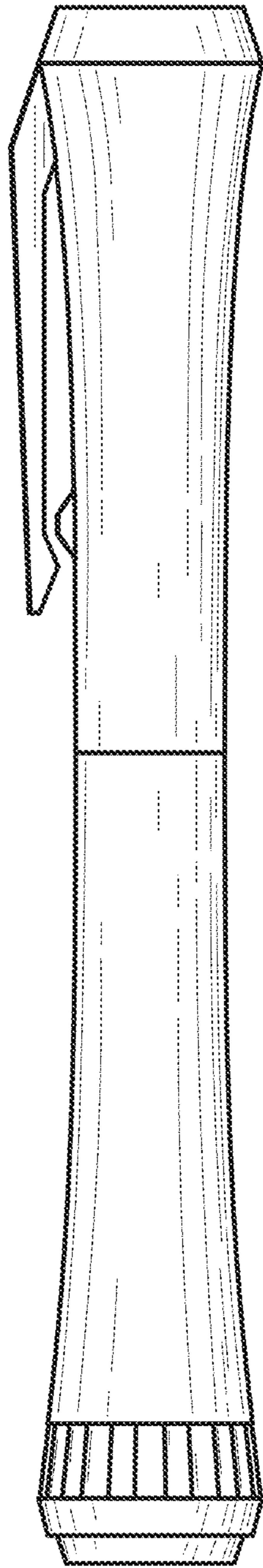


FIG. 2

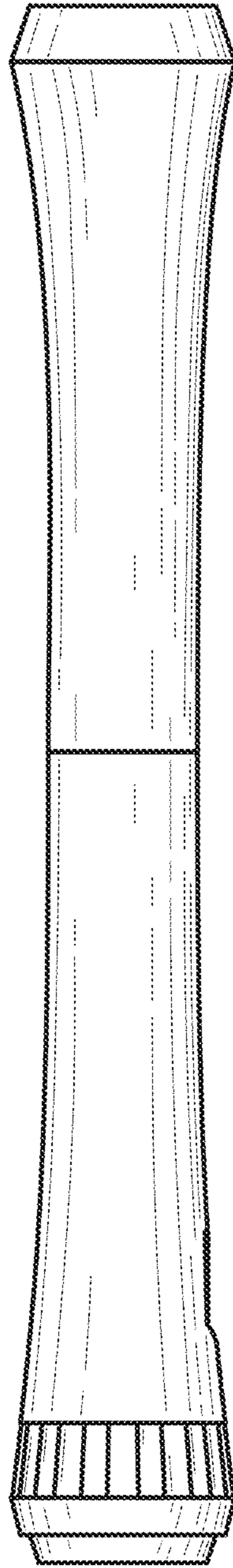


FIG. 3

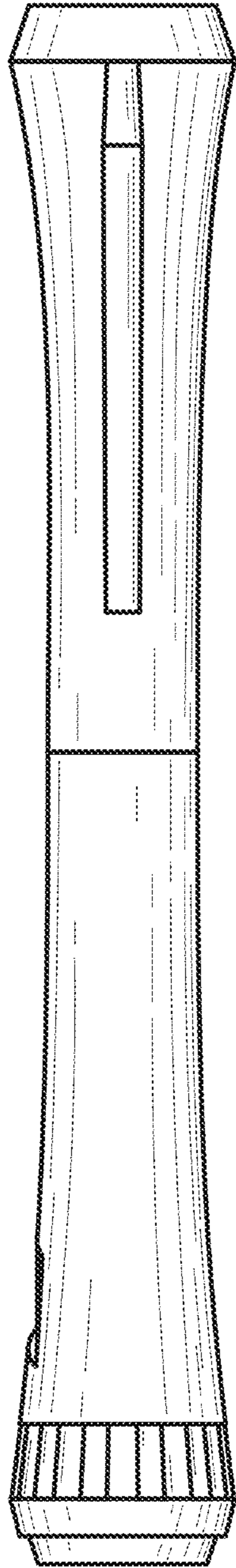


FIG. 4

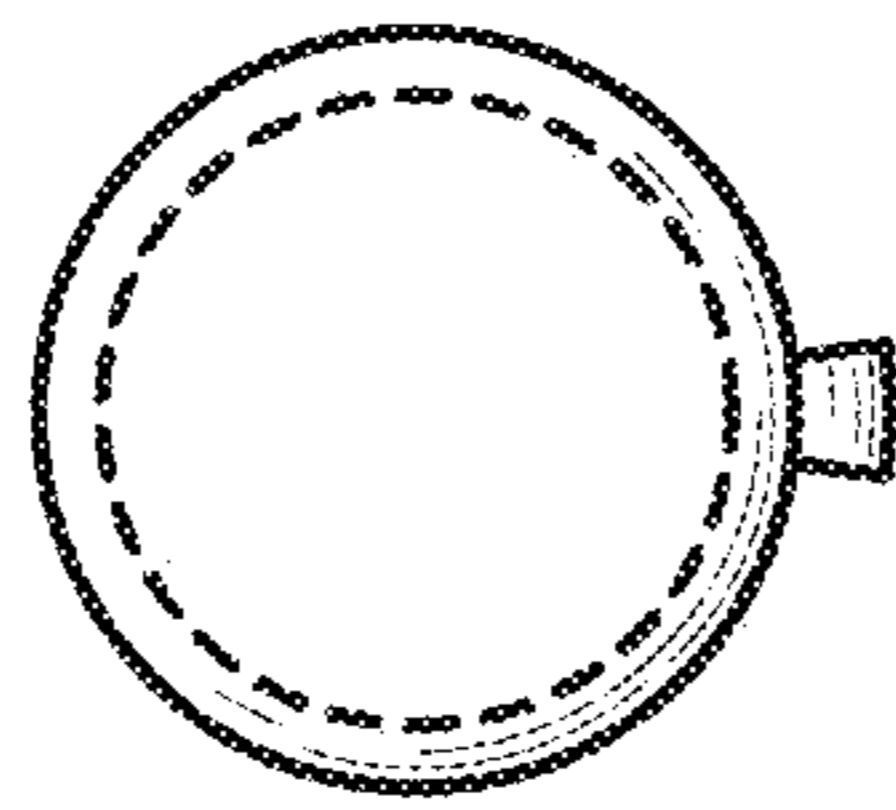


FIG. 5

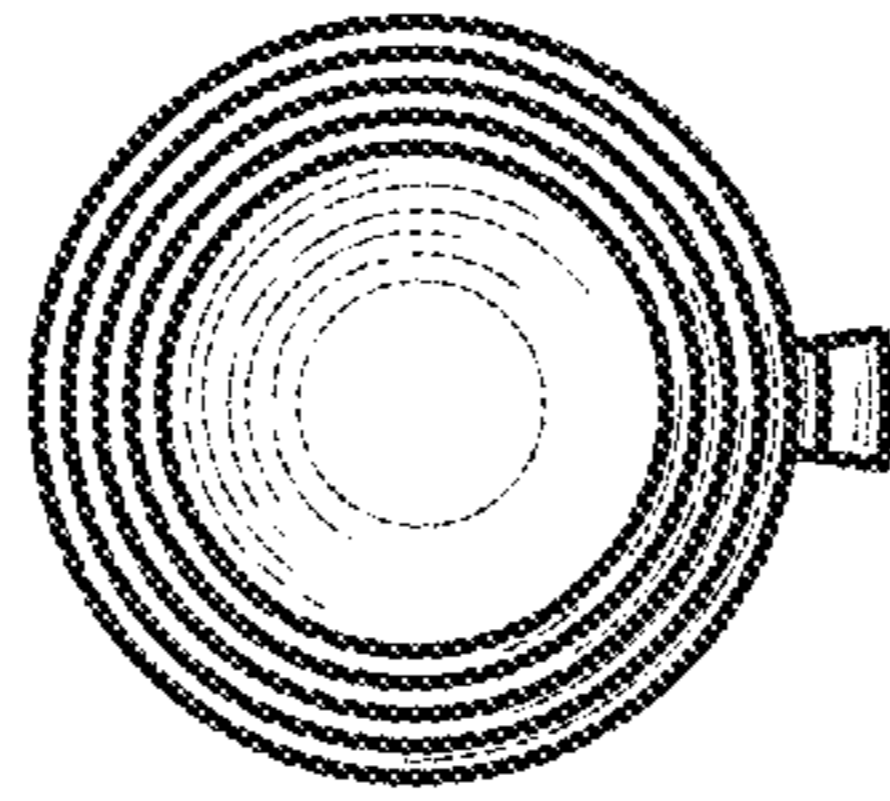


FIG. 6

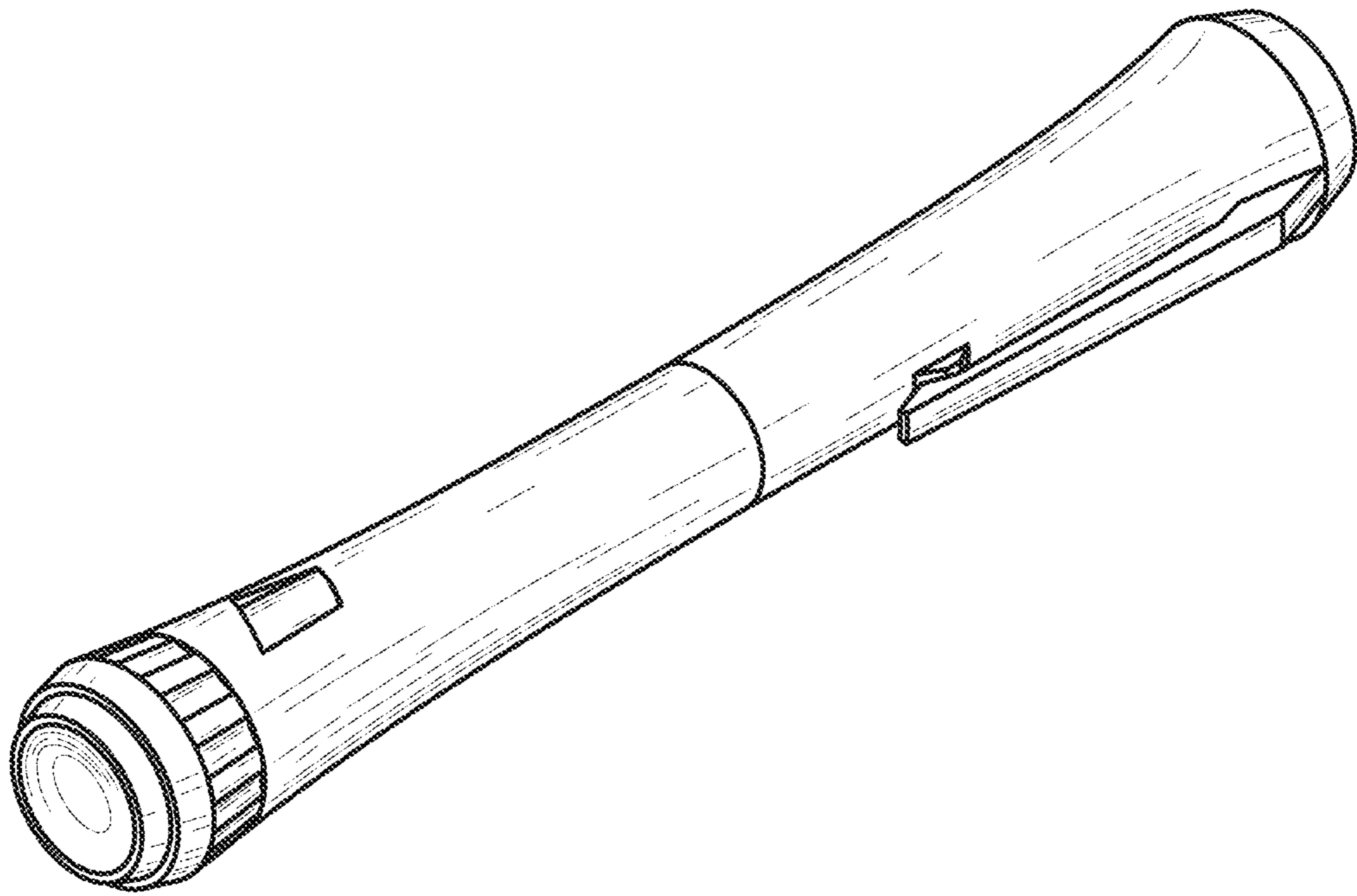


FIG. 7