



US00D931437S

(12) **United States Design Patent**
Yuan

(10) **Patent No.:** **US D931,437 S**

(45) **Date of Patent:** **** Sep. 21, 2021**

(54) **DOUBLE LAYER SOUNDPROOF EARPLUG**
(71) Applicant: **SHENZHEN YUNDE TECHNOLOGY CO., LTD.**, Shenzhen (CN)

(72) Inventor: **Jinniu Yuan**, Shenzhen (CN)

(73) Assignee: **SHENZHEN YUNDE TECHNOLOGY CO., LTD.**, Shenzhen (CN)

(**) Term: **15 Years**

(21) Appl. No.: **29/749,502**

(22) Filed: **Sep. 5, 2020**

(51) **LOC (13) Cl.** **24-04**

(52) **U.S. Cl.**
USPC **D24/106**

(58) **Field of Classification Search**
USPC D24/106, 173, 174; D14/223; D29/112
CPC A61F 11/08; A61F 11/12; A61F 11/008
See application file for complete search history.

(56) **References Cited**

U.S. PATENT DOCUMENTS

D330,761 S	11/1992	Falco	
D414,260 S *	9/1999	Conner D24/106
D434,139 S	11/2000	Foslien	
D436,164 S	1/2001	Foslien	
D492,765 S	7/2004	Falco	
D492,766 S	7/2004	Falco	
D493,219 S	7/2004	Falco	

D496,722 S *	9/2004	Falco A61F 11/08 D24/106
D559,382 S *	1/2008	Sanpei A61F 11/08 D24/106
D560,792 S	1/2008	Miller	
D618,333 S	6/2010	Turdjian	
D624,999 S	10/2010	Turdjian et al.	
D892,302 S *	8/2020	Gu A61F 11/08 D24/106

* cited by examiner

Primary Examiner — Richelle G Shelton

(74) *Attorney, Agent, or Firm* — Law Offices of Steven W. Weinrieb

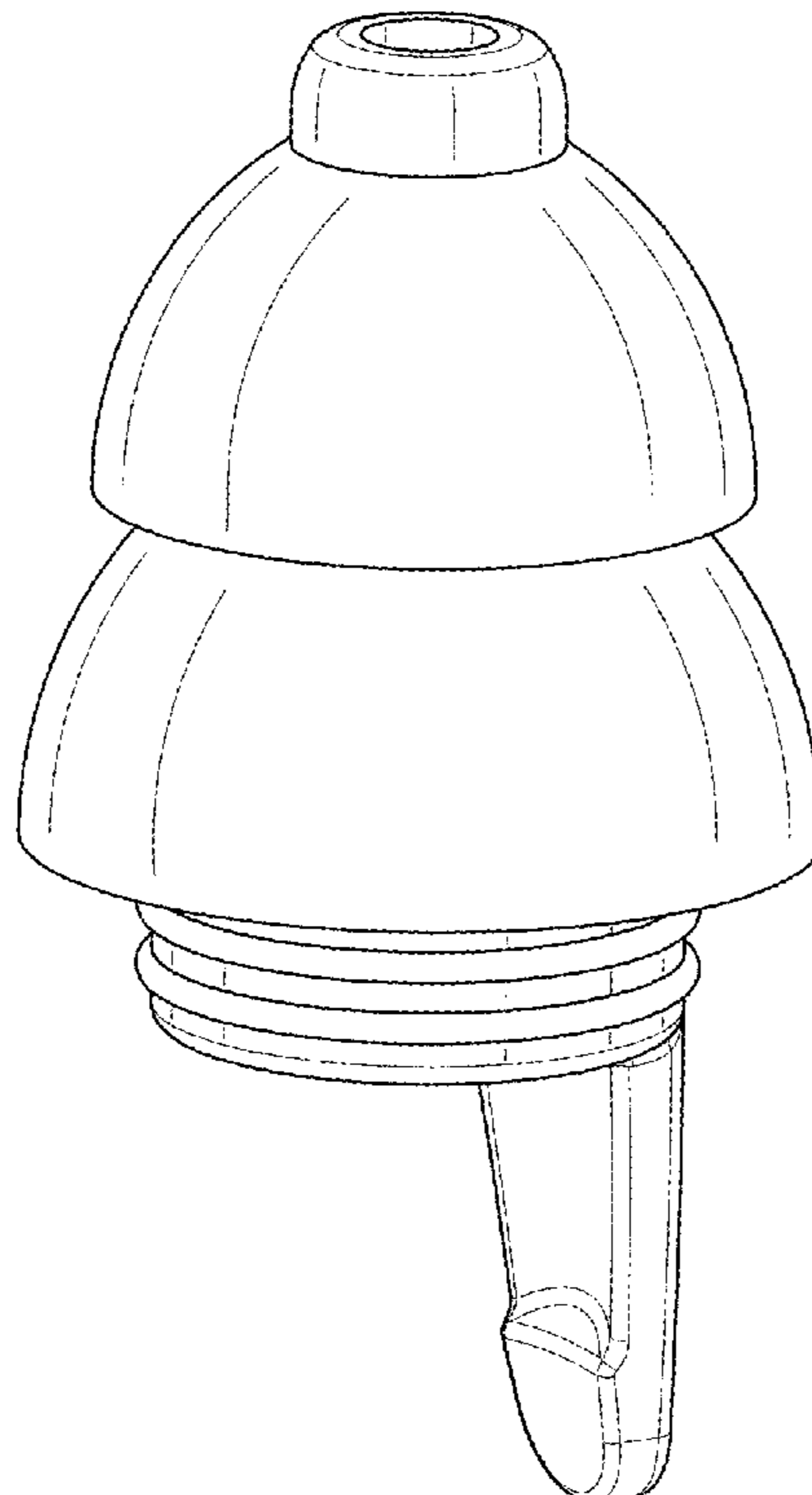
(57) **CLAIM**

The ornamental design for double layer soundproof earplug, as shown and described.

DESCRIPTION

FIG. 1 is a front, right side, top perspective view of a double layer soundproof earplug showing my new design; FIG. 2 is a front, left side, bottom perspective view thereof; FIG. 3 is a front elevational view thereof; FIG. 4 is a rear elevational view thereof; FIG. 5 is a left side elevational view thereof; FIG. 6 is a right side elevational view thereof; FIG. 7 is a top plan view thereof; and, FIG. 8 is a bottom plan view thereof. The broken lines depict a portion of the double layer soundproof earplug that form no part of the claimed design.

1 Claim, 8 Drawing Sheets



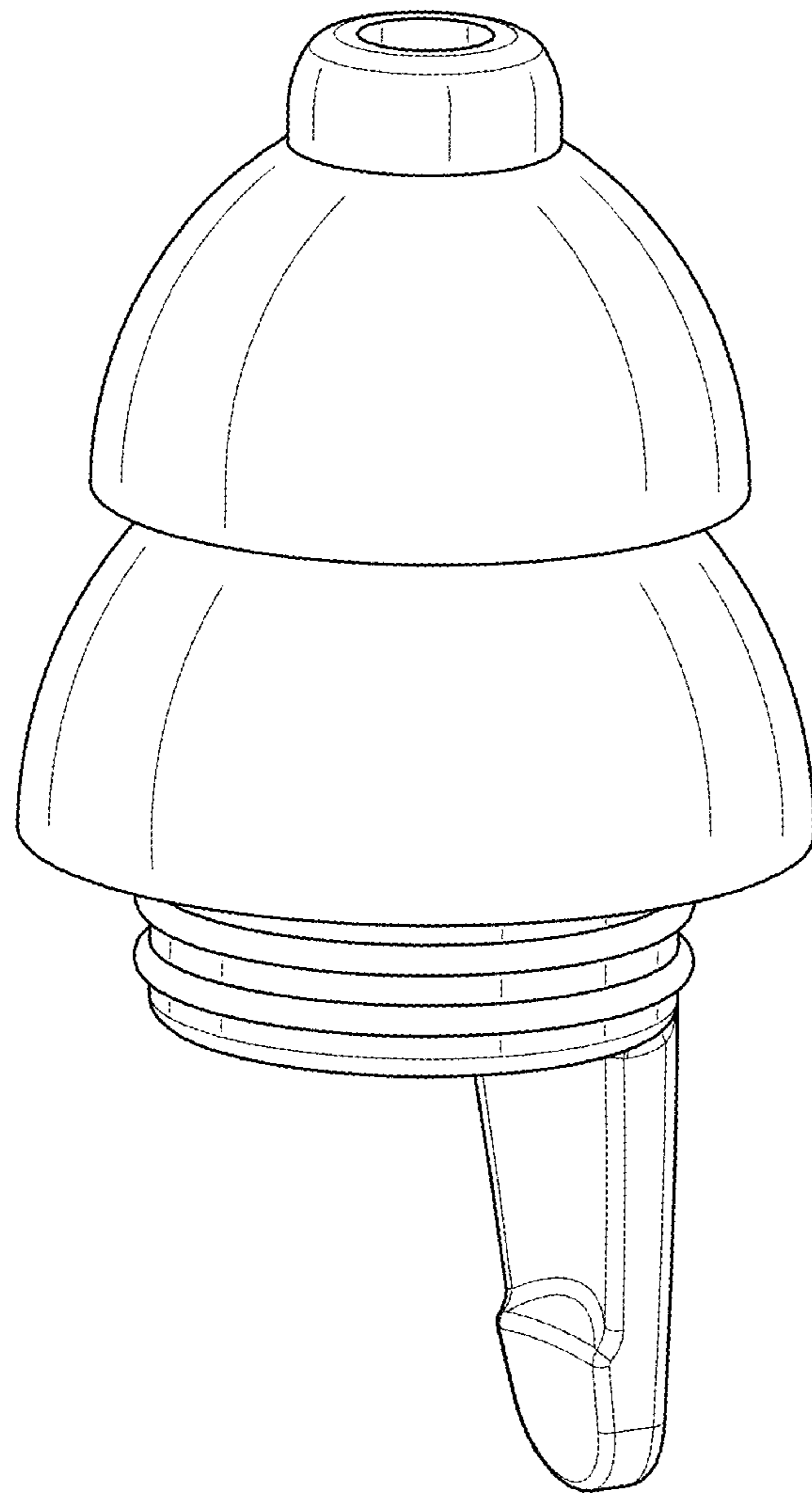


FIG.1

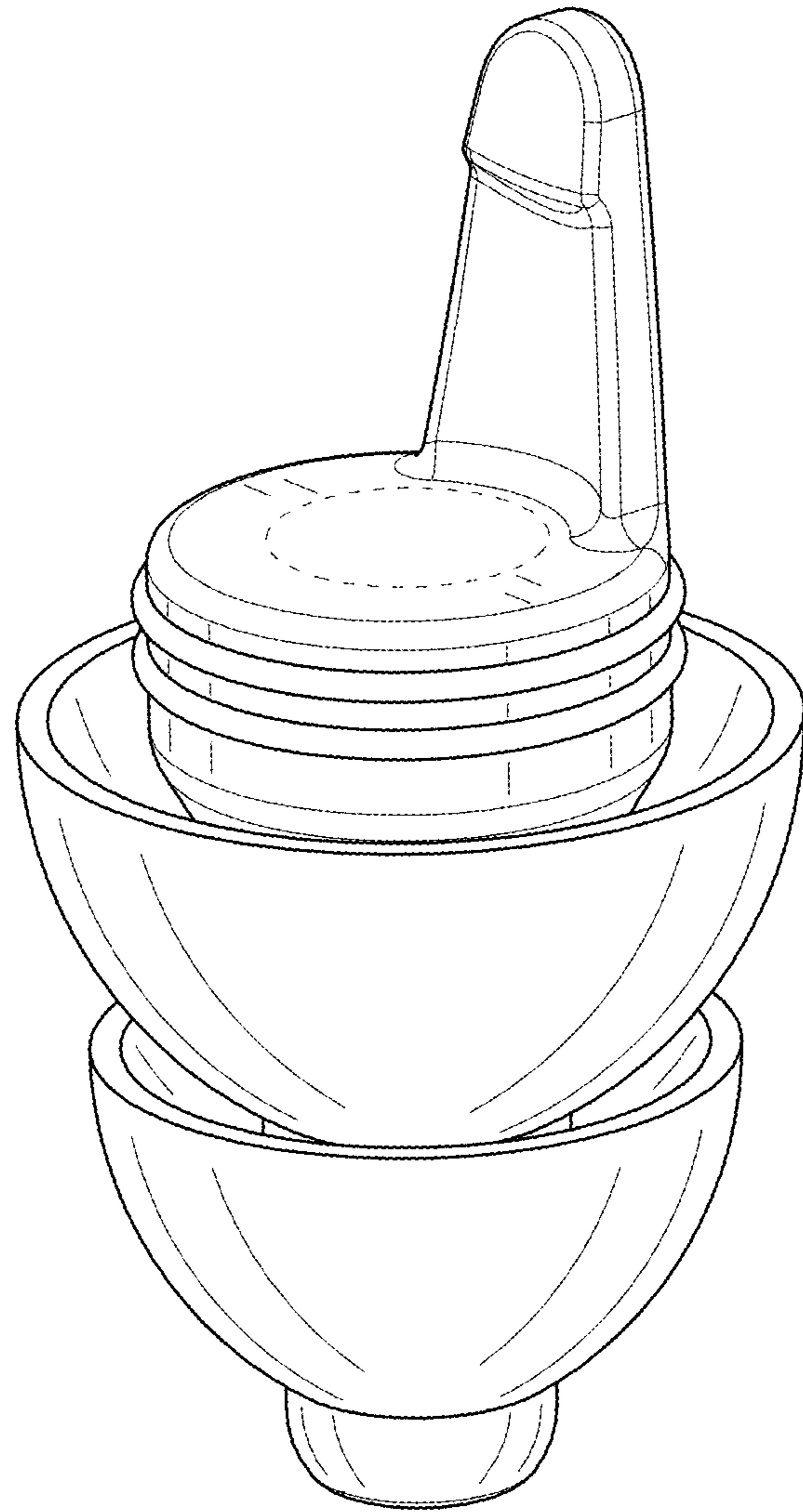


FIG.2

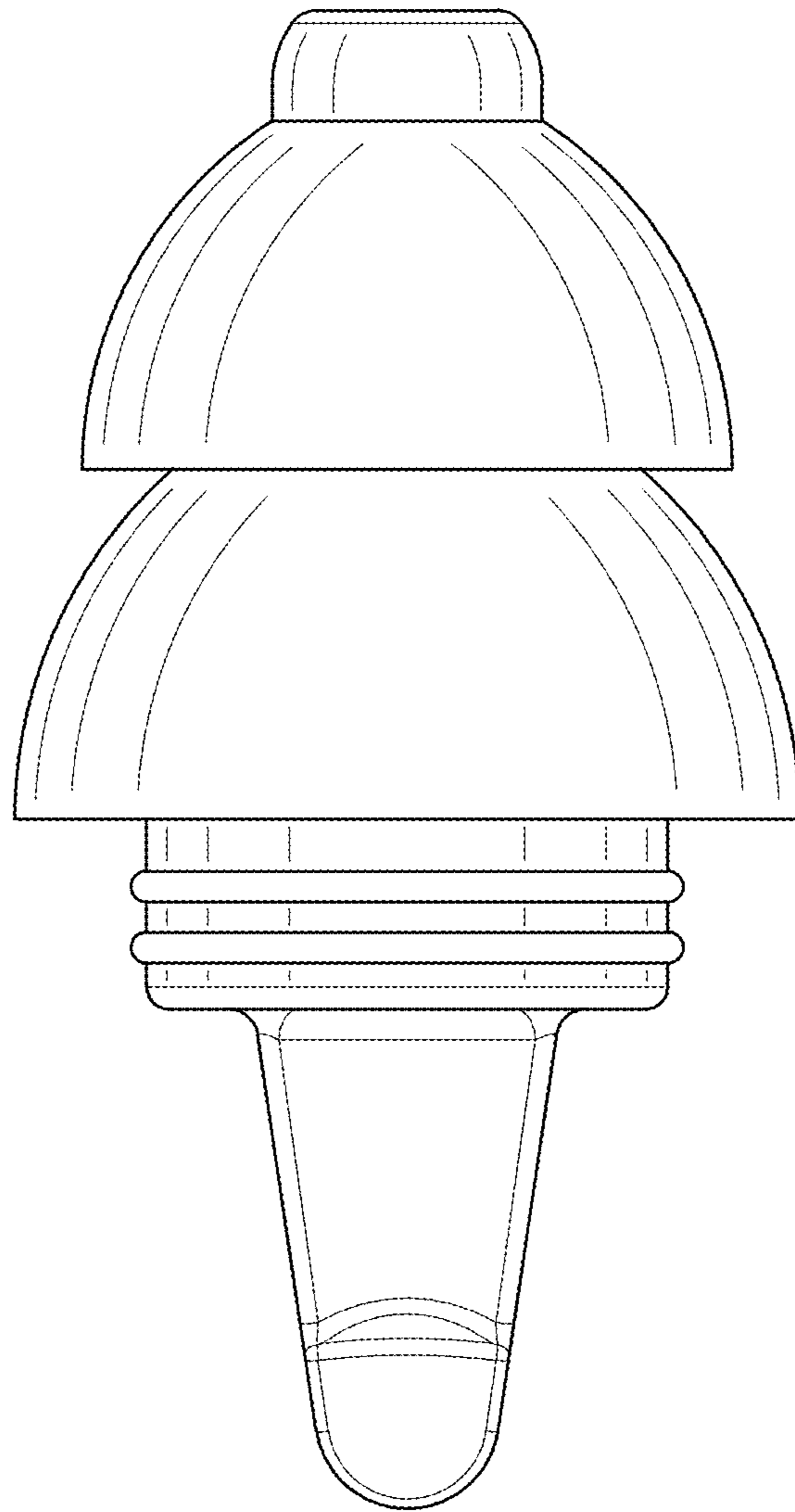


FIG.3

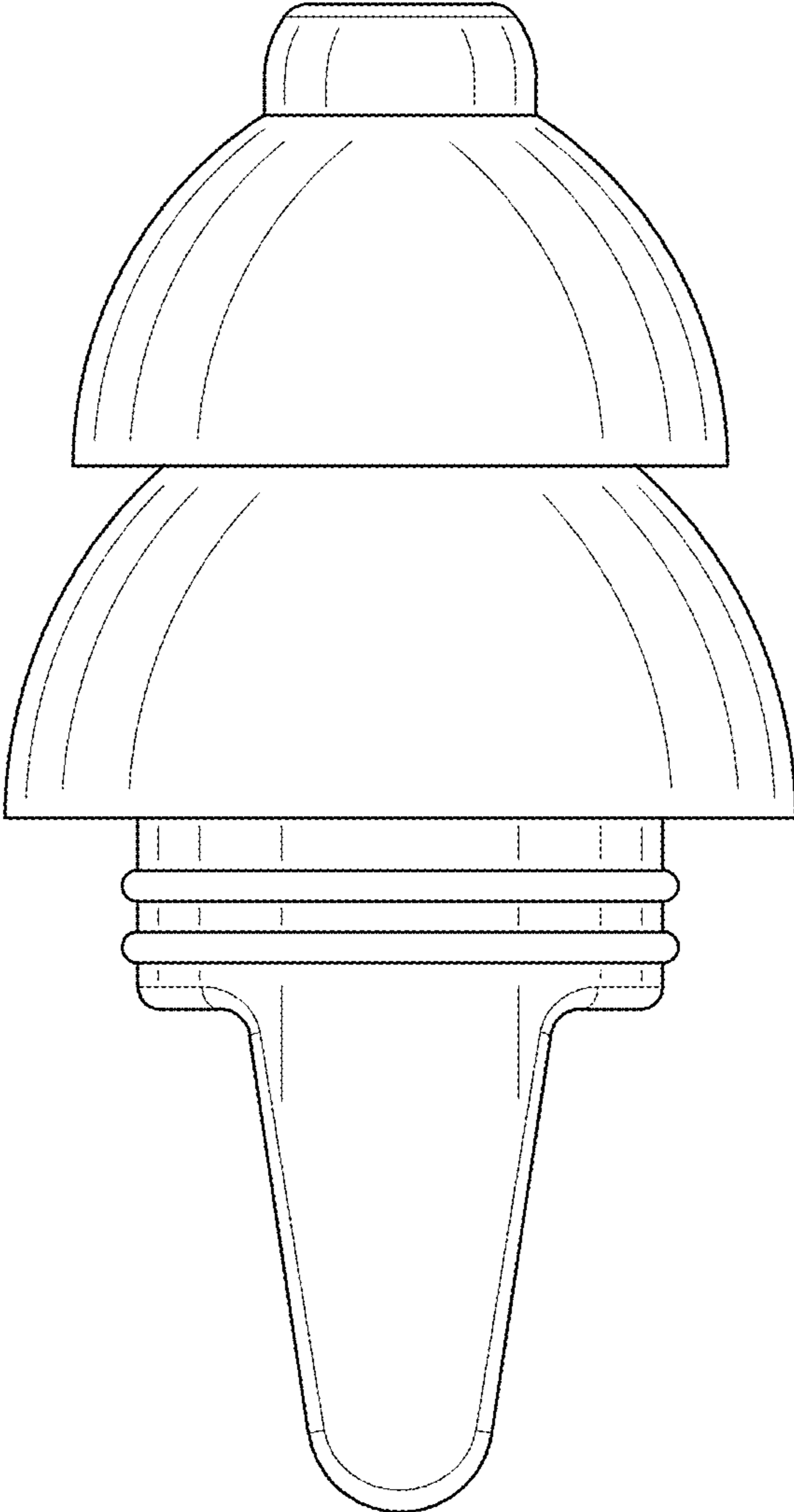


FIG. 4

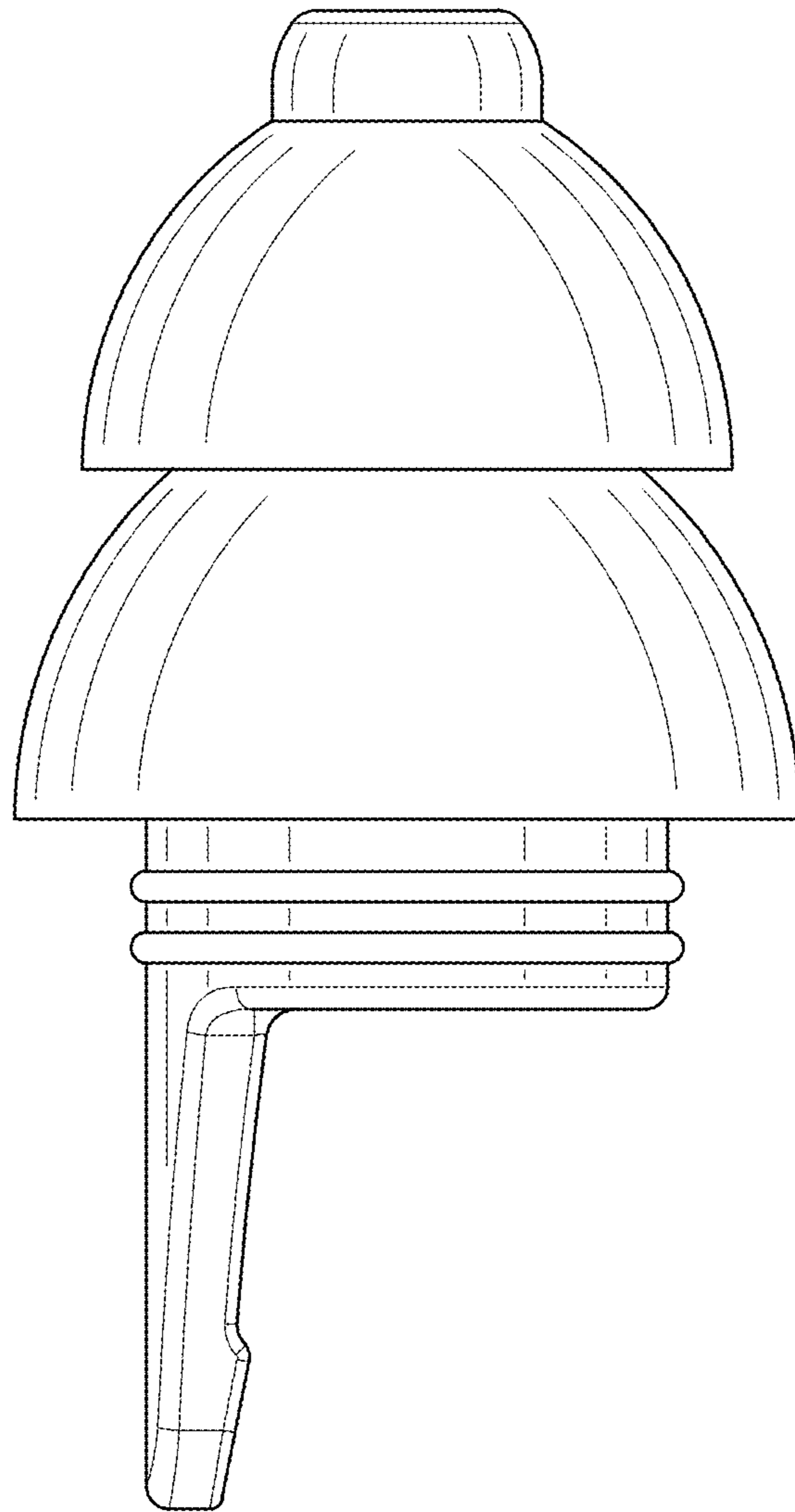


FIG. 5

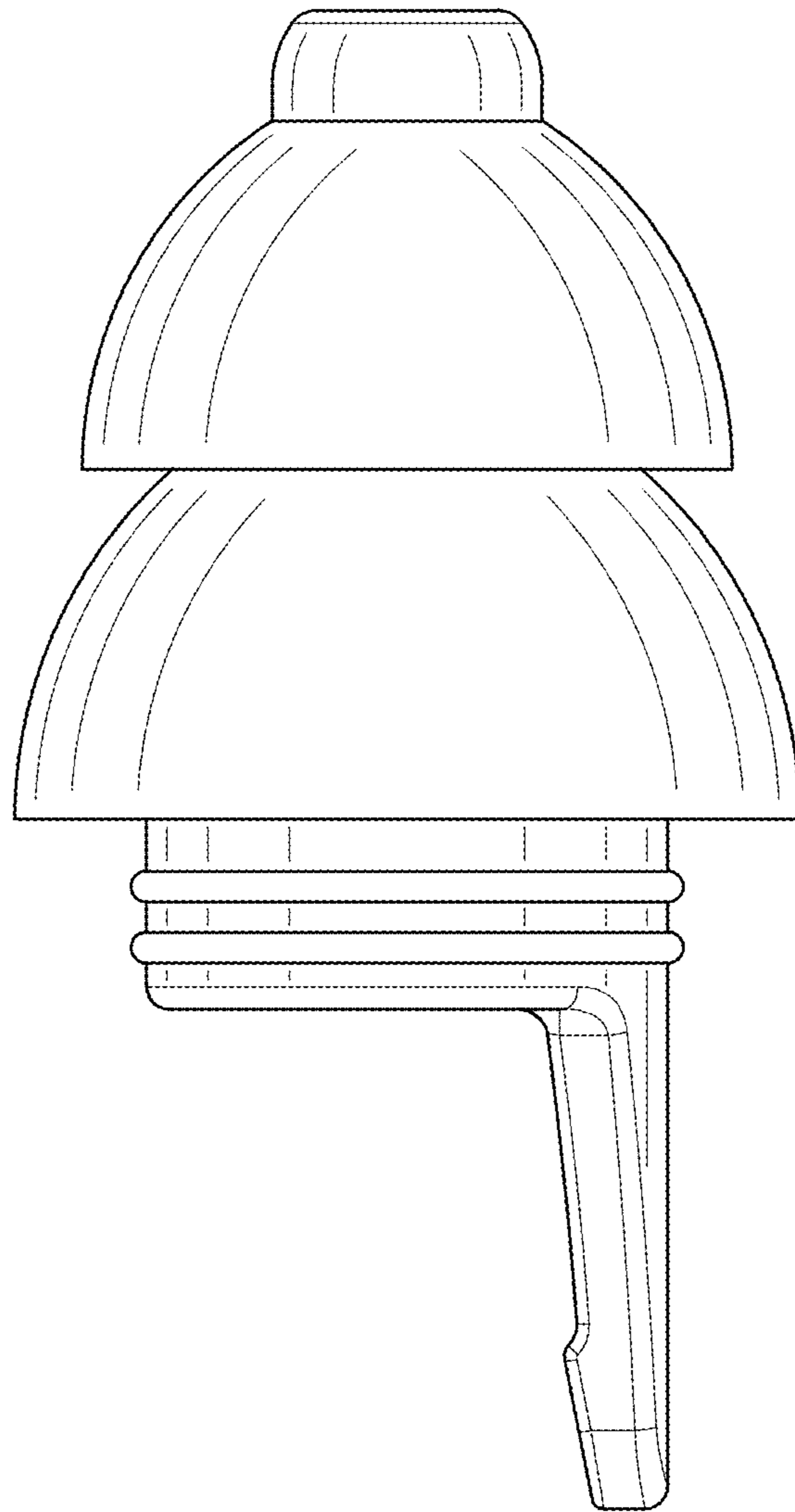


FIG.6

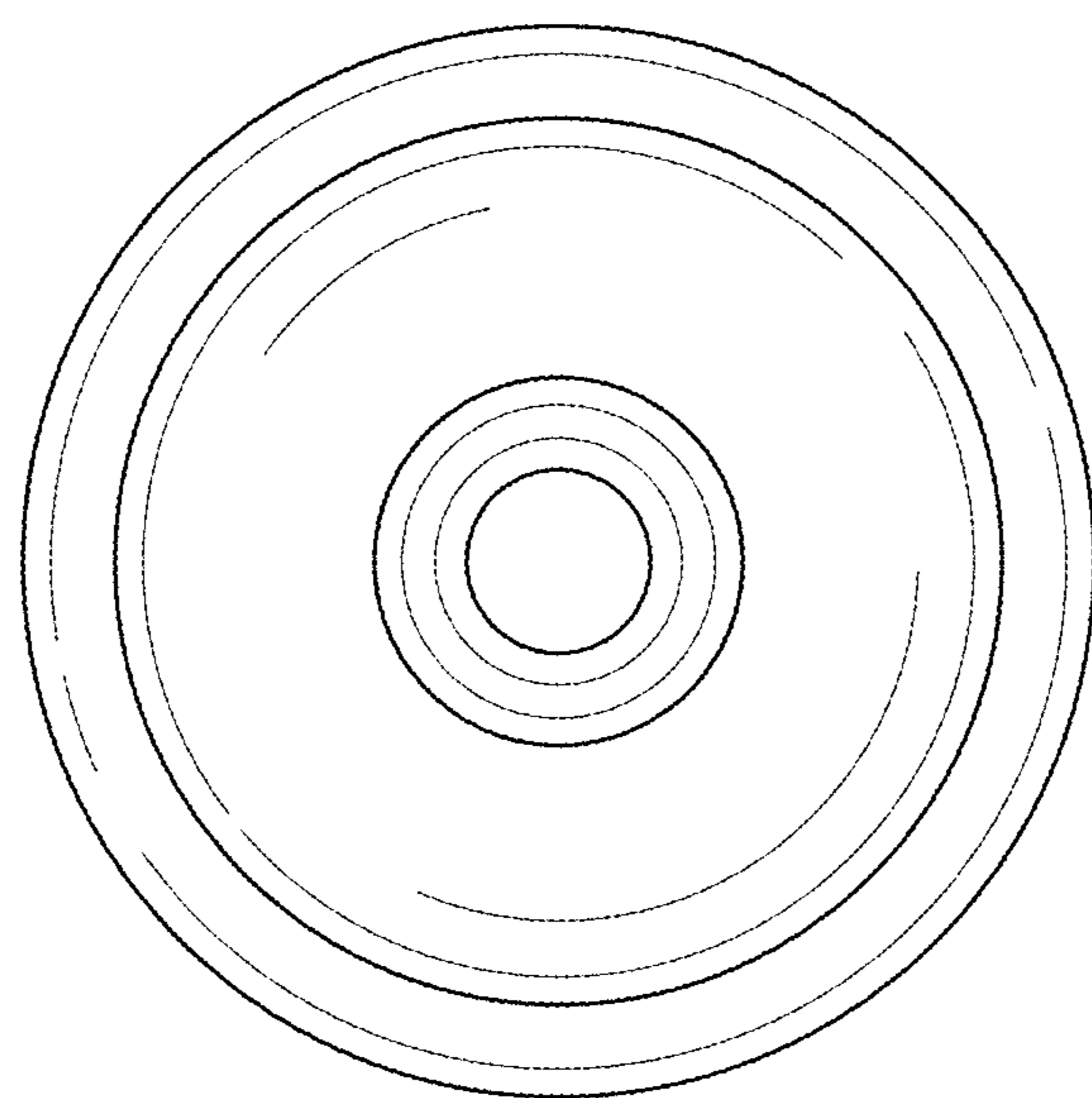


FIG.7

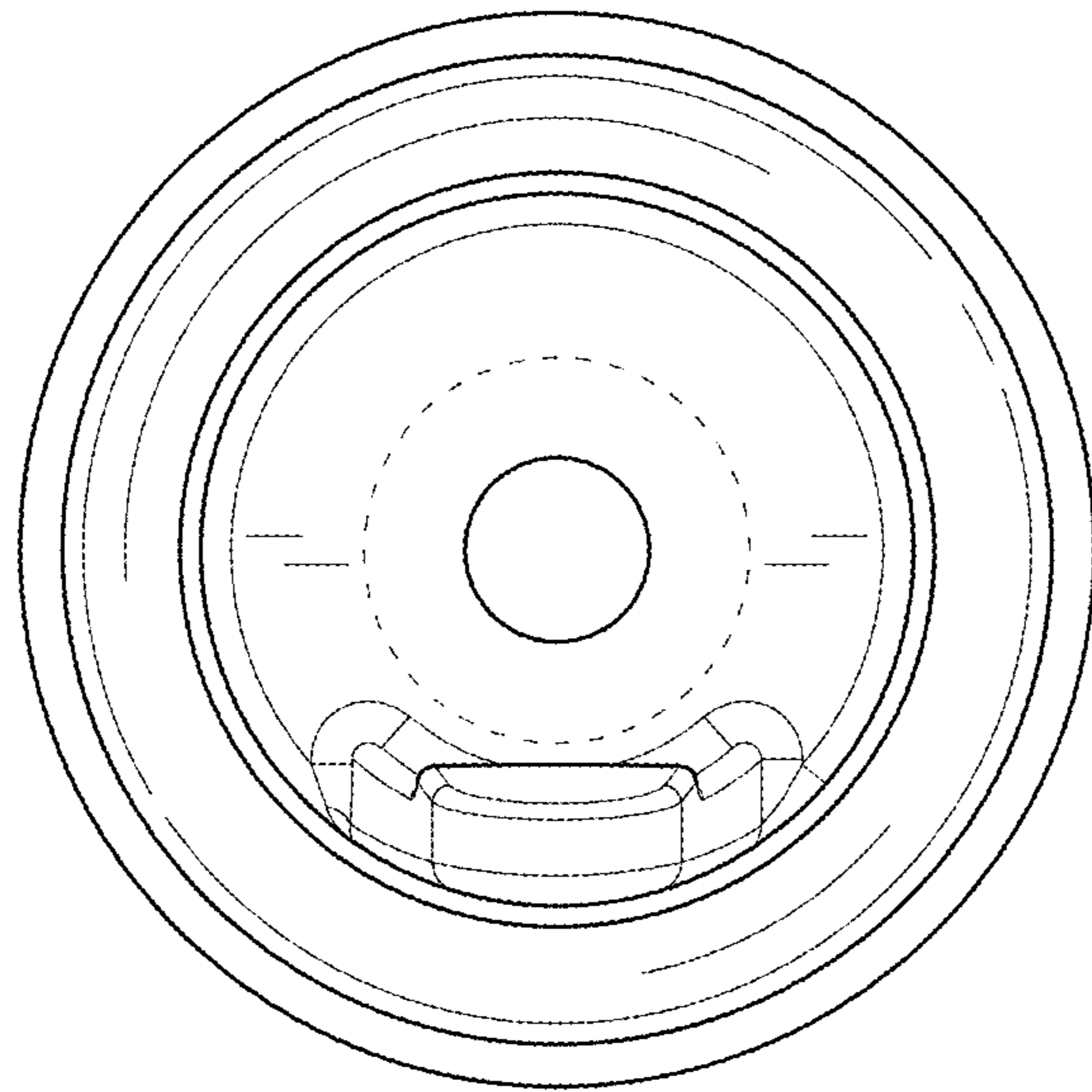


FIG.8