



US00D931436S

(12) **United States Design Patent** (10) **Patent No.:** **US D931,436 S**
He et al. (45) **Date of Patent:** **** Sep. 21, 2021**

(54) **BLOWER**
(71) Applicant: **THE WEST RIVER INDUSTRY CO., LTD., Jiangmen (CN)**
(72) Inventors: **Xiangming He, Jiangmen (CN); Guanglian Lin, Jiangmen (CN)**
(73) Assignee: **THE WEST RIVER INDUSTRY CO., LTD., Jiangmen (CN)**

9,121,638 B2 * 9/2015 Black F26B 9/02
D761,950 S * 7/2016 Kulp D23/383
9,863,698 B1 * 1/2018 Turner F26B 9/003
D810,269 S * 2/2018 Sanders D23/383
D835,254 S * 12/2018 Sanders D23/411
D849,924 S * 5/2019 Sanders D23/383
D906,509 S * 12/2020 Zeng D23/383
2004/0047743 A1 * 3/2004 Dooley F24F 7/007
417/234
2006/0049615 A1 * 3/2006 Day F26B 21/001
280/655.1
2006/0056965 A1 * 3/2006 Li F04D 29/4226
415/213.1

(**) Term: **15 Years**

(Continued)

(21) Appl. No.: **29/652,349**
(22) Filed: **Jul. 24, 2020**
(51) **LOC (13) Cl.** **23-04**
(52) **U.S. Cl.**
USPC **D23/383; D32/15**
(58) **Field of Classification Search**
USPC D23/370, 383, 411; D32/15, 25
CPC A47L 5/14; F26B 9/02; F26B 3/02; F26B 21/001; F26B 9/003; F26B 21/008; F04D 25/084; F04D 29/4226; F24F 13/0209; F24F 7/007
See application file for complete search history.

OTHER PUBLICATIONS

Blower Fan <https://www.homedepot.com/p/Lasko-Pro-Performance-High-Velocity-Pivoting-Blower-Fan-4905/202185788> (Year: 2011).*

(Continued)

Primary Examiner — Michelle E. Wilson
Assistant Examiner — Richard E Yenchesky
(74) *Attorney, Agent, or Firm* — Innovation Capital Law Group; Vic Lin

(57) **CLAIM**

The ornamental design for a blower, as shown and described.

(56) **References Cited**

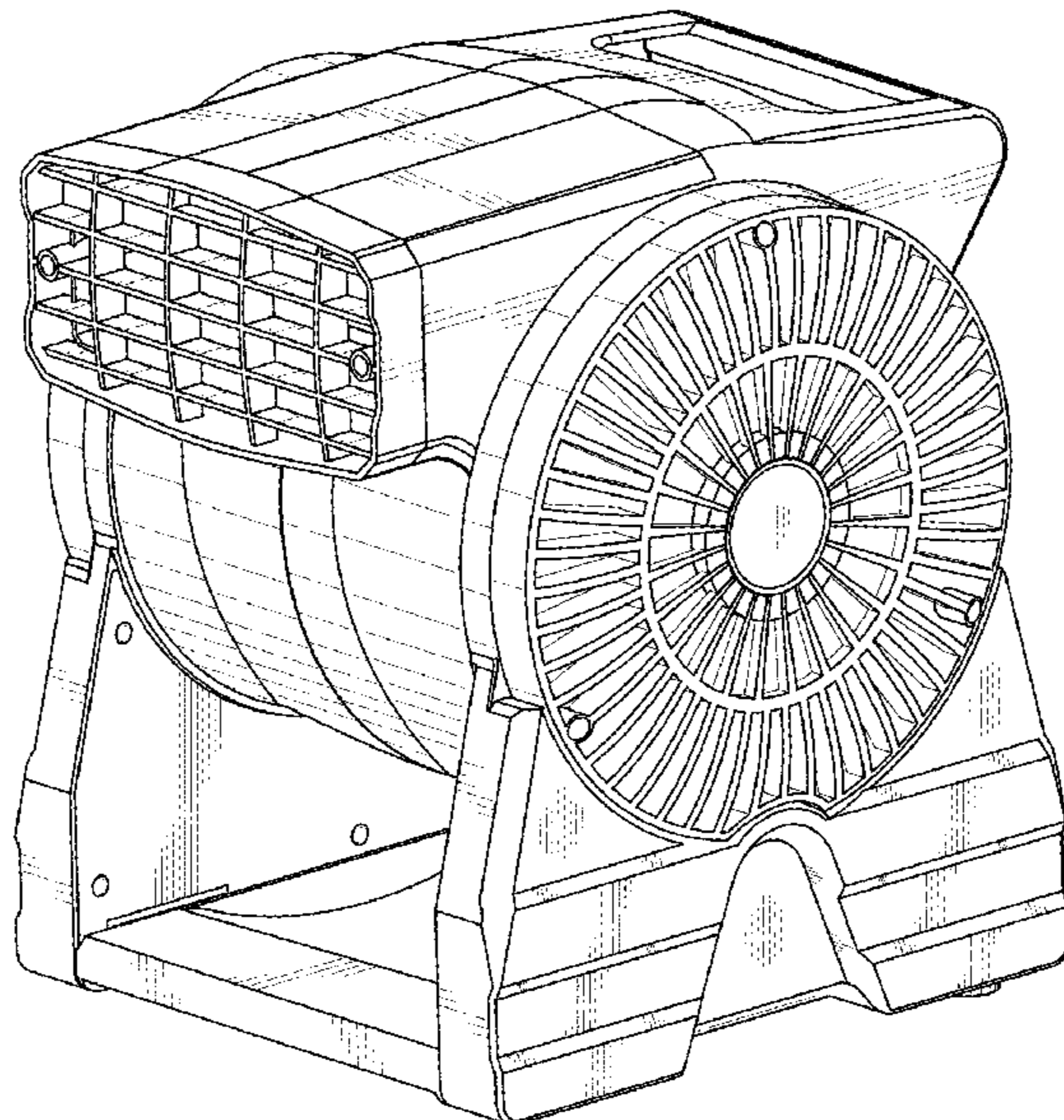
U.S. PATENT DOCUMENTS

D184,468 S * 2/1959 Wistrand D23/370
5,174,048 A * 12/1992 Shero F26B 21/001
34/444
D340,326 S * 10/1993 Genovese D32/15
5,257,467 A * 11/1993 White F26B 21/008
248/316.4
D517,677 S * 3/2006 Bartholmey D23/383
D533,322 S * 12/2006 Blateri D32/25
D537,517 S * 2/2007 Hancock D23/383
D607,622 S * 1/2010 Blateri D32/25
D698,433 S * 1/2014 Tomasiak D23/383
D704,908 S * 5/2014 Cui D23/383

DESCRIPTION

FIG. 1 is a front elevation view of a blower, showing our new design;
FIG. 2 is a rear elevation view thereof;
FIG. 3 is a right elevation view thereof;
FIG. 4 is a left elevation view thereof;
FIG. 5 is a top plan view thereof;
FIG. 6 is a bottom plan view thereof;
FIG. 7 is a top perspective view thereof; and,
FIG. 8 is a bottom perspective view thereof.

1 Claim, 8 Drawing Sheets



(56)

References Cited

U.S. PATENT DOCUMENTS

2006/0186225 A1* 8/2006 Bartholmey F24F 13/0209
239/499
2007/0051007 A1* 3/2007 Reets F26B 3/02
34/86
2007/0246579 A1* 10/2007 Blateri A47L 5/14
239/599
2008/0232958 A1* 9/2008 Weyandt F04D 29/4226
415/206
2009/0304492 A1* 12/2009 Bartholmey F04D 25/084
415/1
2013/0247409 A1* 9/2013 Black F26B 9/02
34/443
2014/0325865 A1* 11/2014 Wisherd D06F 58/266
34/255

OTHER PUBLICATIONS

Pivoting Fan https://www.homedepot.com/p/Lasko-Pivoting-Pro-Blower-Fan-U12104/312762497?MERCH=REC-_-pipsem-_-202185788-_-312762497-_-N (Year: 2012).*

* cited by examiner

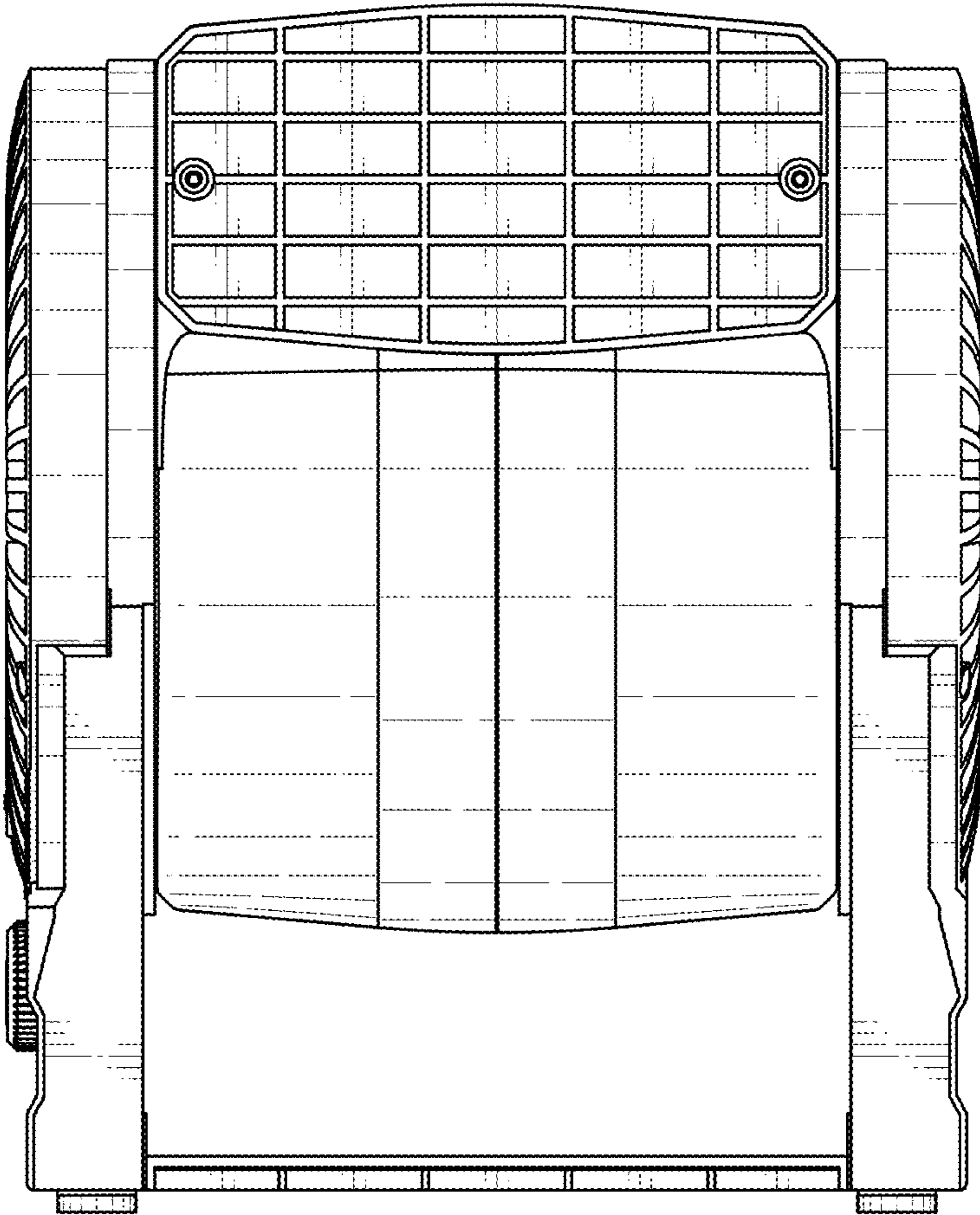


FIG. 1

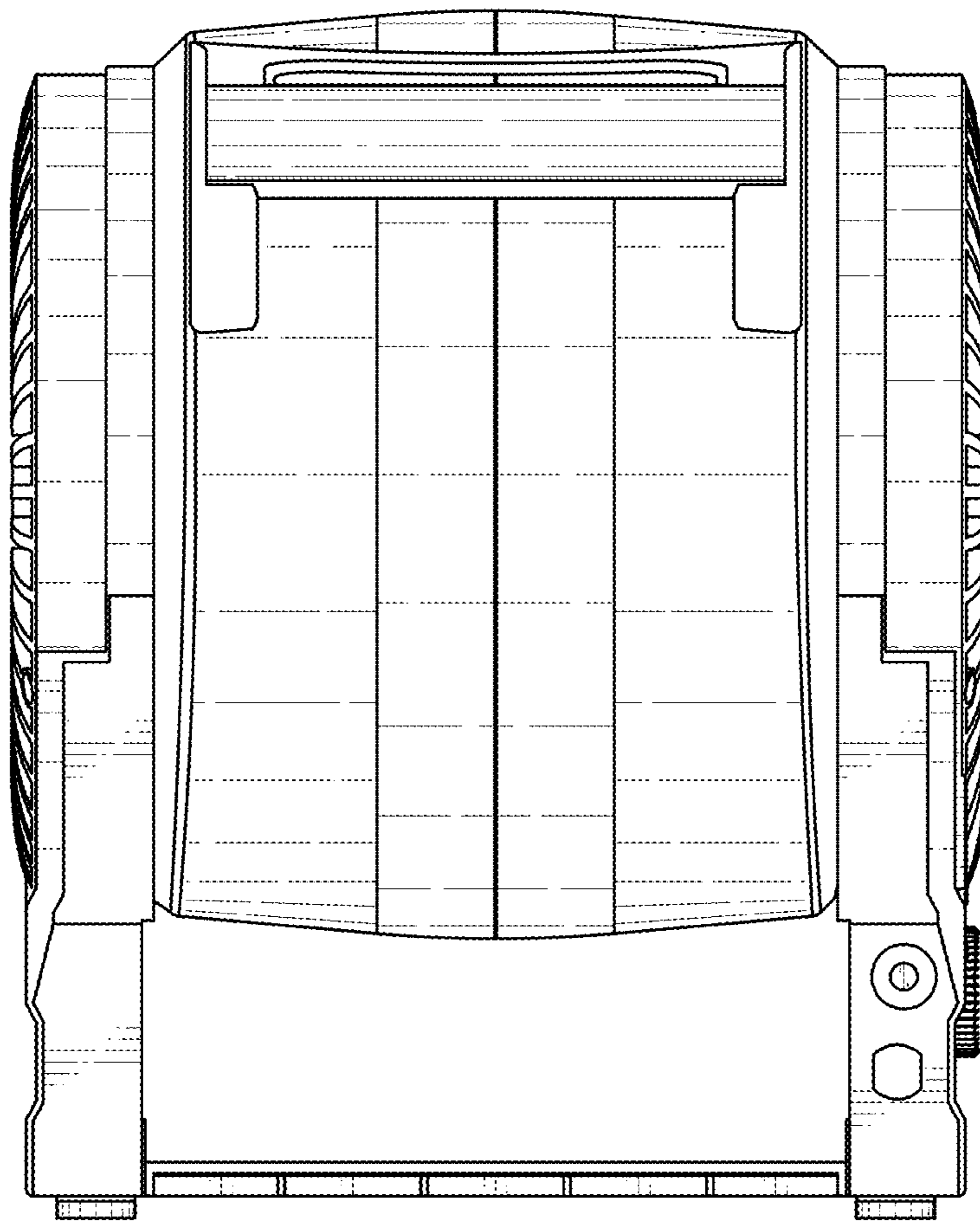


FIG. 2

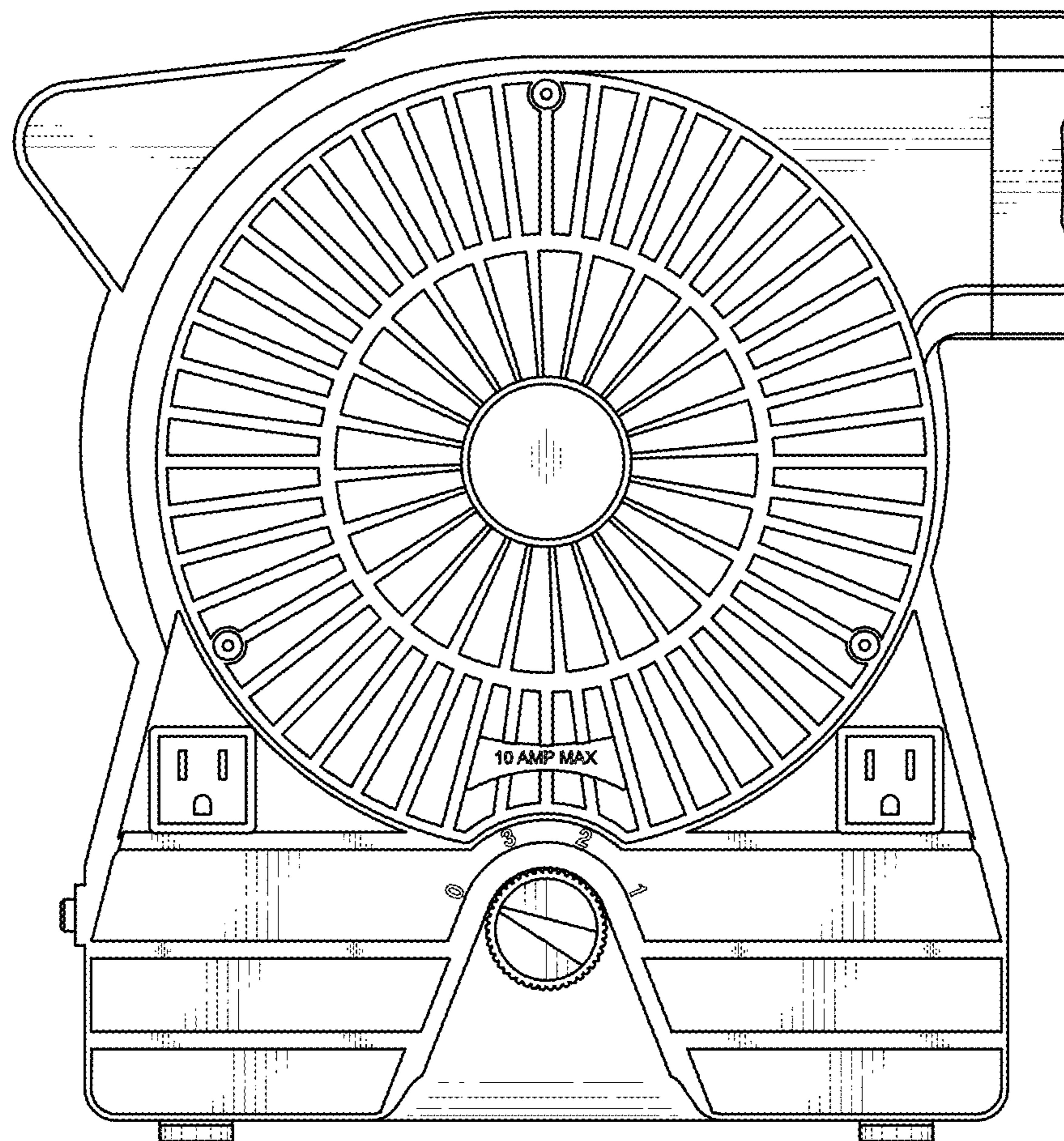


FIG. 3

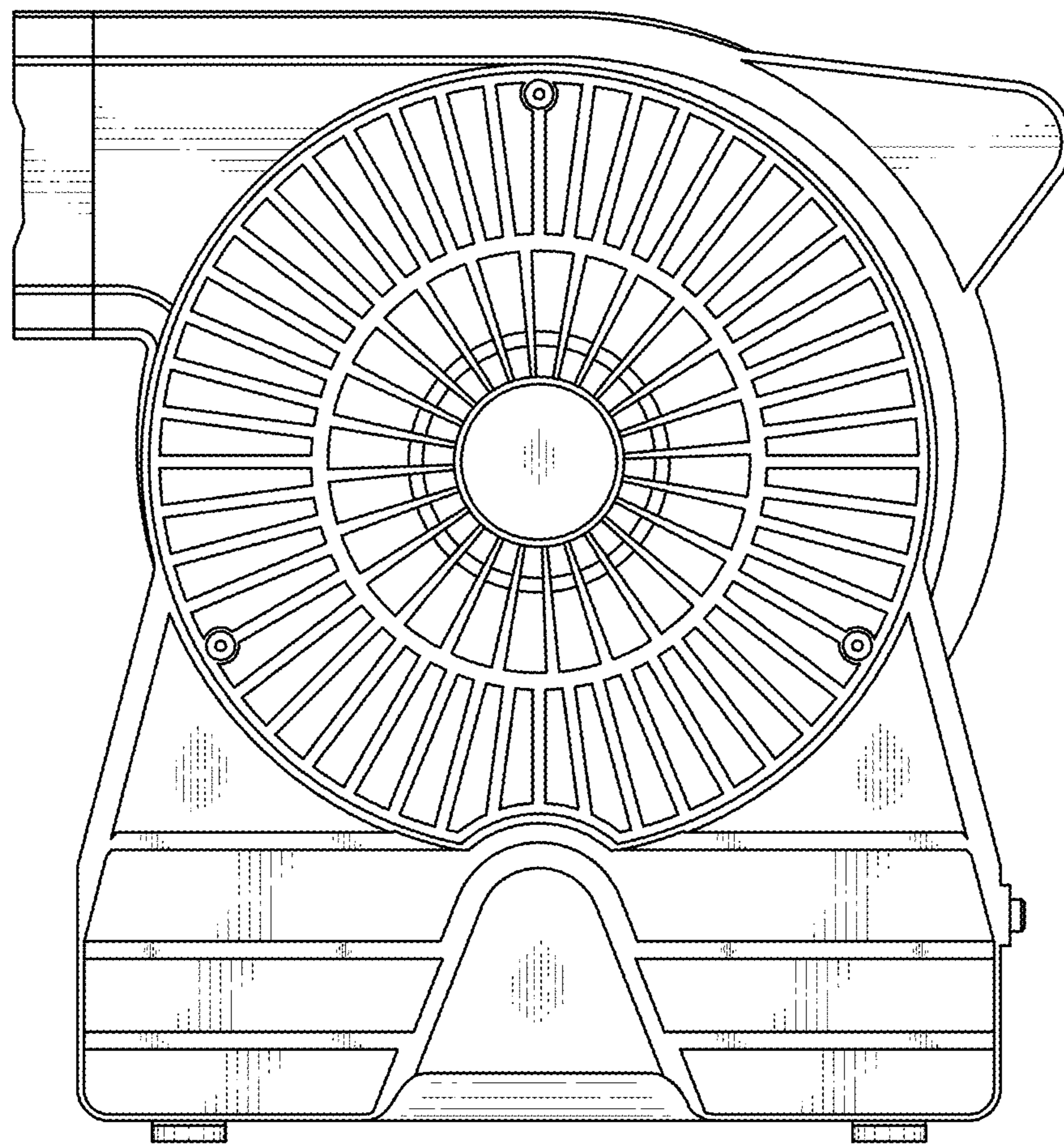


FIG. 4

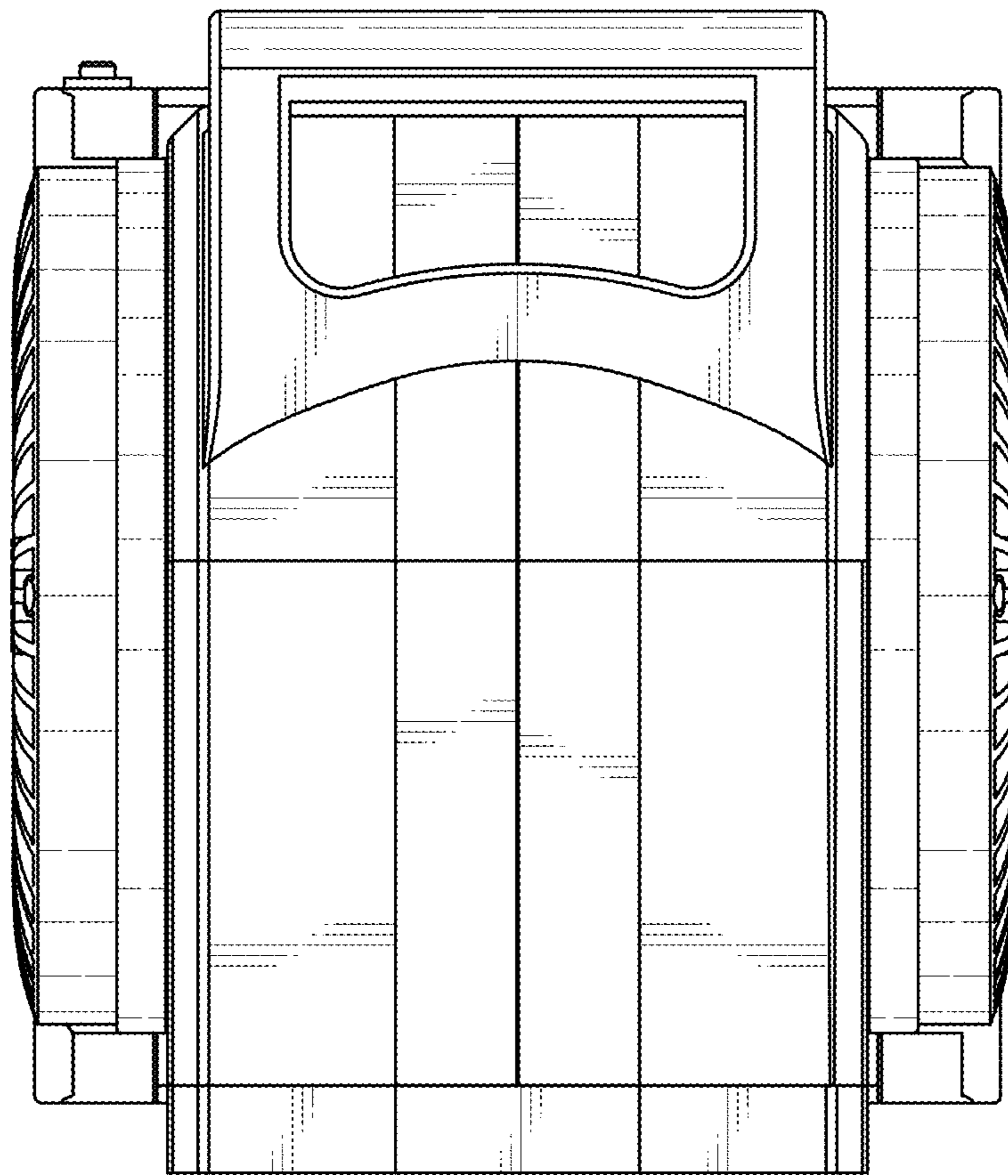


FIG. 5

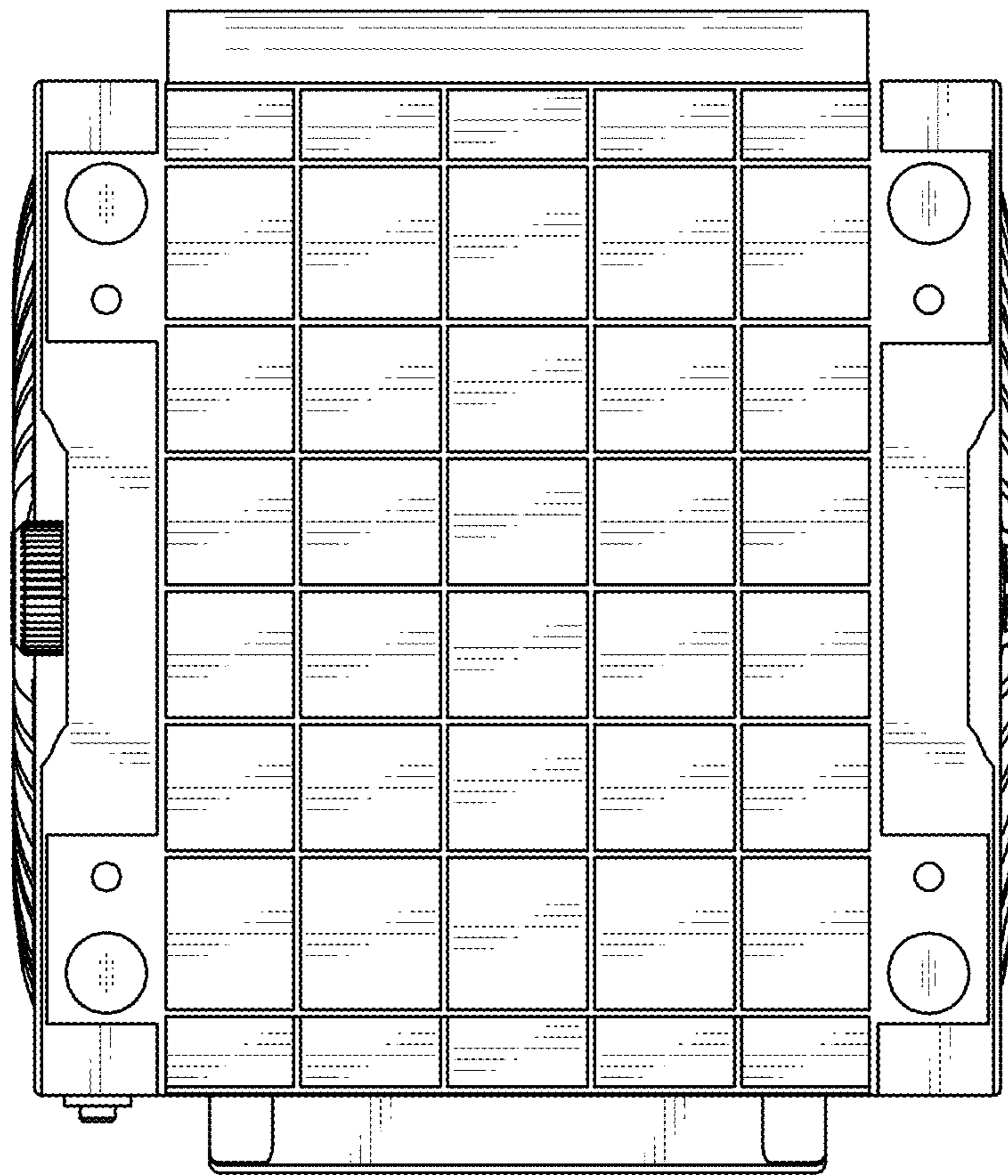


FIG. 6

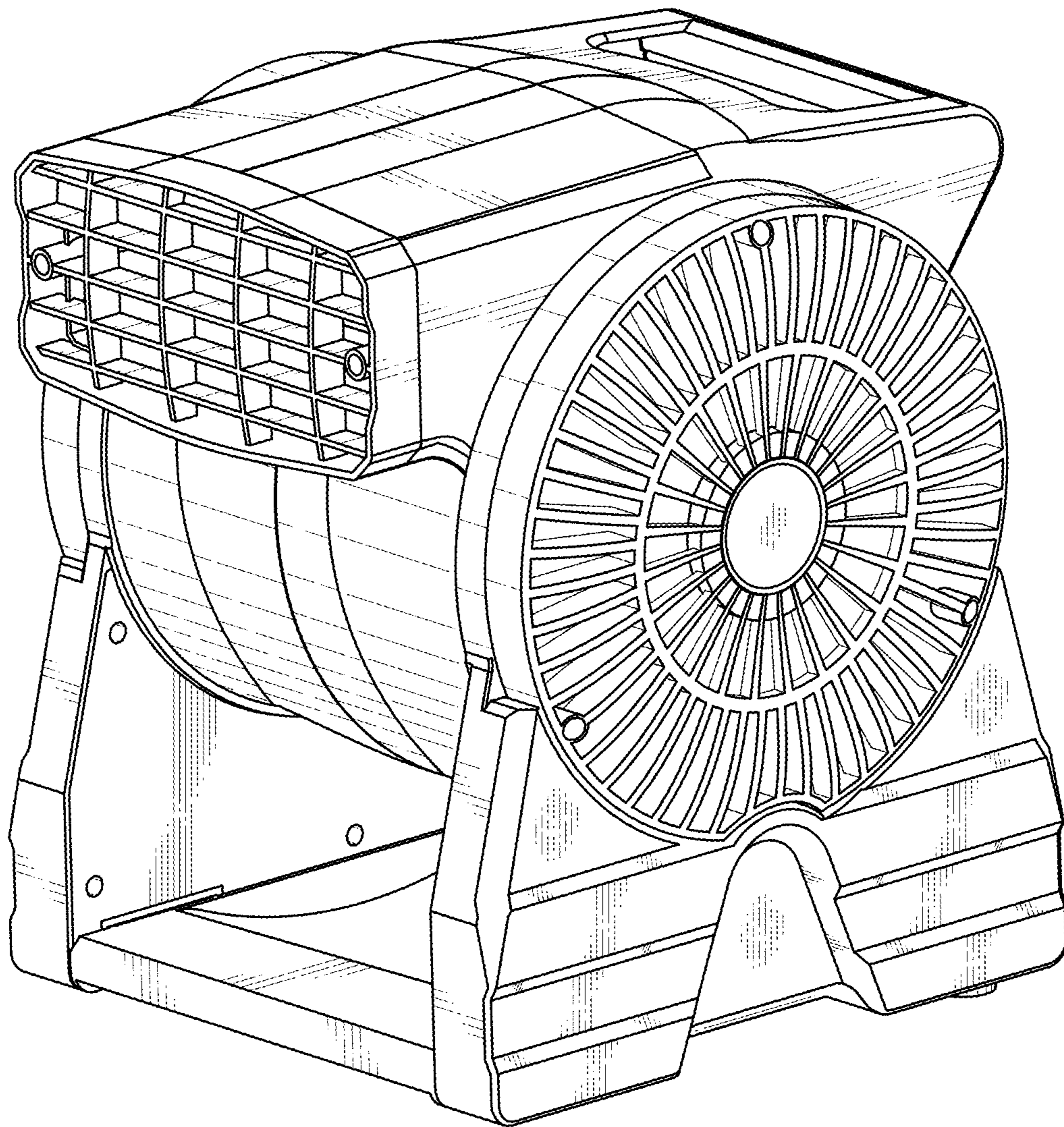


FIG. 7

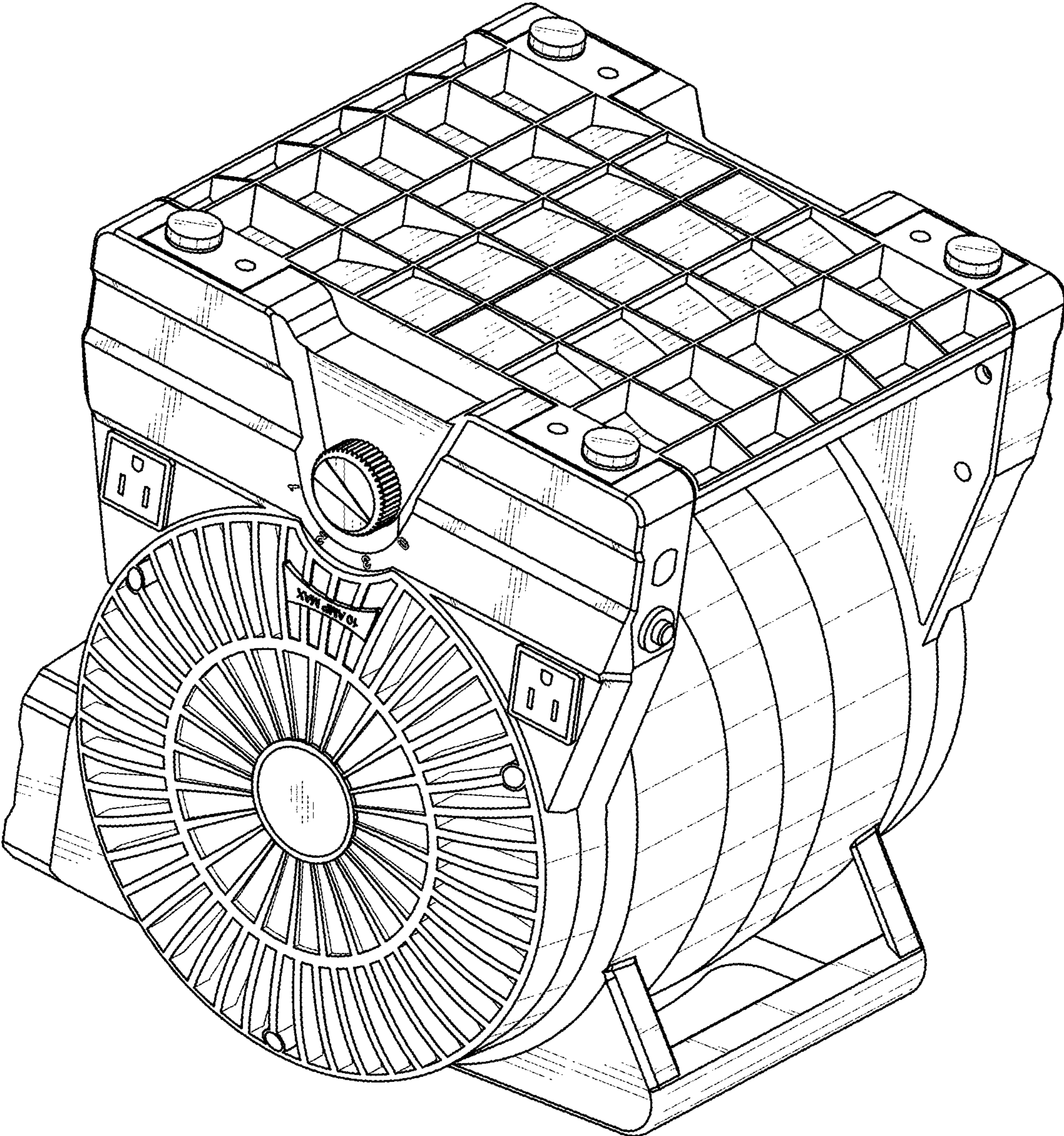


FIG. 8