



US00D931430S

(12) **United States Design Patent**  
**Schafer**

(10) **Patent No.:** **US D931,430 S**  
(45) **Date of Patent:** **\*\* Sep. 21, 2021**

- (54) **FIREPLACE INSERT**
- (71) Applicant: **Twin-Star International, Inc.**, Delray Beach, FL (US)
- (72) Inventor: **Scott Schafer**, Delray Beach, FL (US)
- (73) Assignee: **Twin-Star International, Inc.**, Delray Beach, FL (US)
- (\*\*) Term: **15 Years**
- (21) Appl. No.: **29/712,671**
- (22) Filed: **Nov. 11, 2019**
- (51) **LOC (13) Cl.** ..... **23-03**
- (52) **U.S. Cl.**  
USPC ..... **D23/343**
- (58) **Field of Classification Search**  
USPC ..... D23/314, 329, 342, 343, 344, 347  
CPC ..... F24B 1/1808; F24B 1/181; F24C 3/006;  
F24C 7/004  
See application file for complete search history.

- 2008/0216366 A1\* 9/2008 Purton ..... G09F 19/12  
40/428
- 2012/0216796 A1\* 8/2012 Benedetti ..... F24C 3/006  
126/547
- 2016/0054005 A1\* 2/2016 Gross ..... F24B 1/192  
126/548

\* cited by examiner

*Primary Examiner* — Ania Aman

(74) *Attorney, Agent, or Firm* — McDonald Hopkins LLC

(57) **CLAIM**

The ornamental designs for a fireplace insert, as shown and described.

**DESCRIPTION**

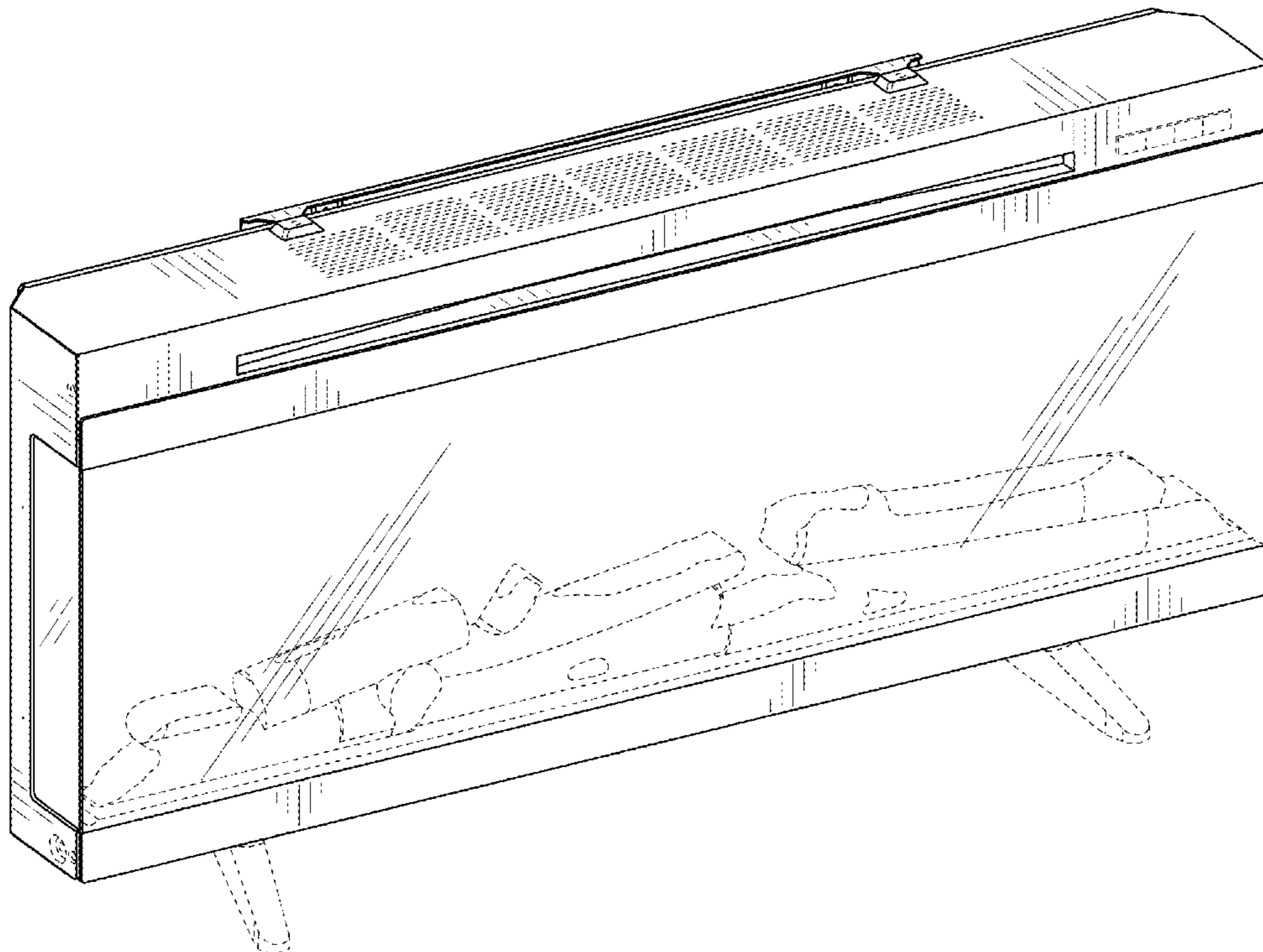
FIG. 1 is a perspective view of a fireplace insert showing my new design.  
 FIG. 2 is a front elevation view of the fireplace insert of FIG. 1.  
 FIG. 3 is a rear elevation view of the fireplace insert of FIG. 1.  
 FIG. 4 is a right side elevation view of the fireplace insert of FIG. 1.  
 FIG. 5 is a left side elevation view of the fireplace insert of FIG. 1.  
 FIG. 6 is a top plan view of the fireplace insert of FIG. 1; and,  
 FIG. 7 is a bottom plan view of the fireplace insert of FIG. 1.  
 The broken line shown in the drawings are for the purpose of illustrating portions of the article and form no part of the claimed design.

(56) **References Cited**

**U.S. PATENT DOCUMENTS**

- 3,377,465 A \* 4/1968 Ronk ..... F24H 3/0417  
392/366
- D558,865 S \* 1/2008 Yoo ..... D23/351
- D658,749 S \* 5/2012 Crowe ..... D23/343
- D691,251 S \* 10/2013 Couture ..... D23/342
- D738,997 S \* 9/2015 Blouin ..... D23/344
- D805,619 S \* 12/2017 Hrydovyy ..... D23/343
- D900,988 S \* 11/2020 Lu ..... D23/344

**1 Claim, 5 Drawing Sheets**



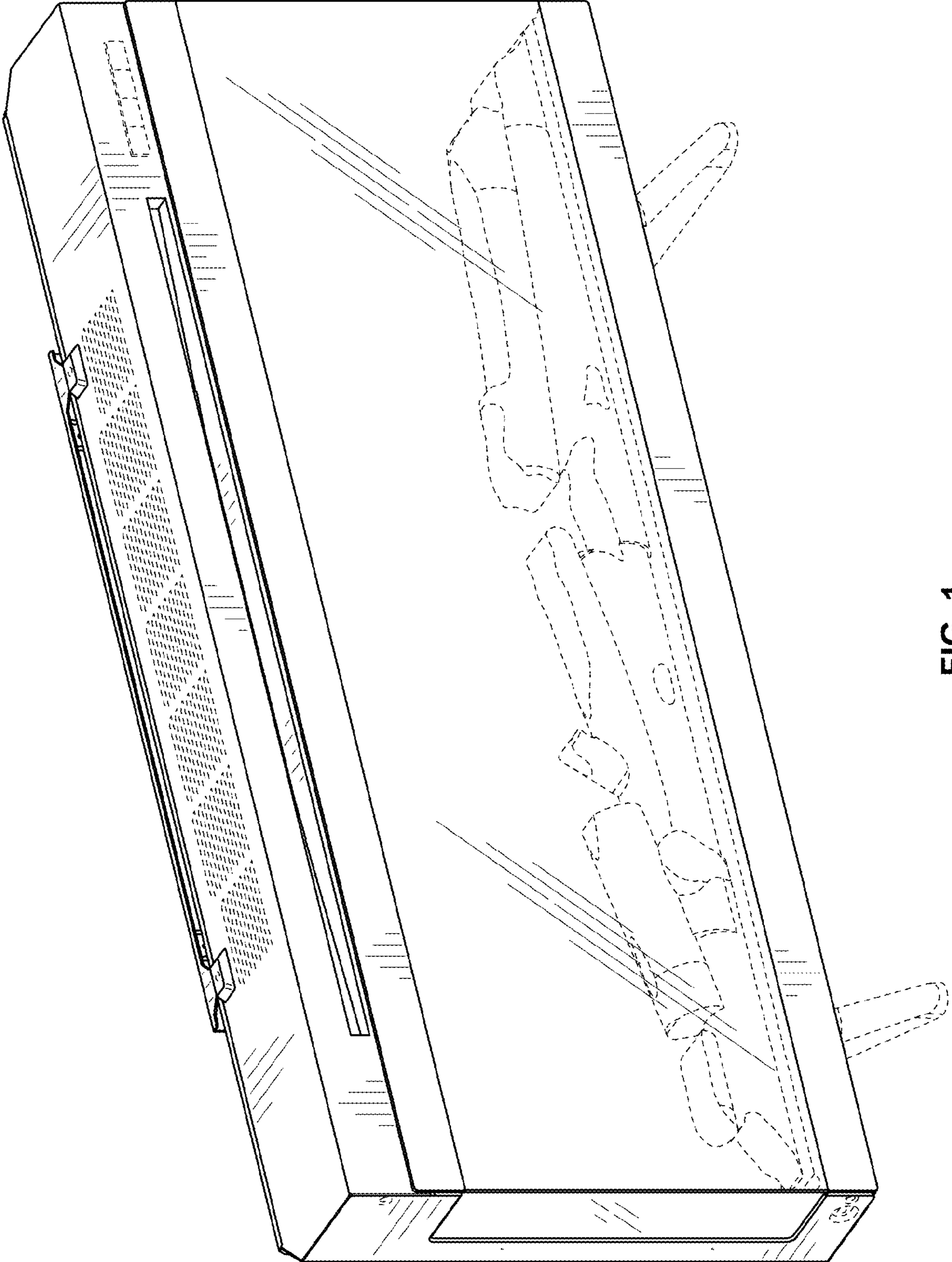


FIG. 1

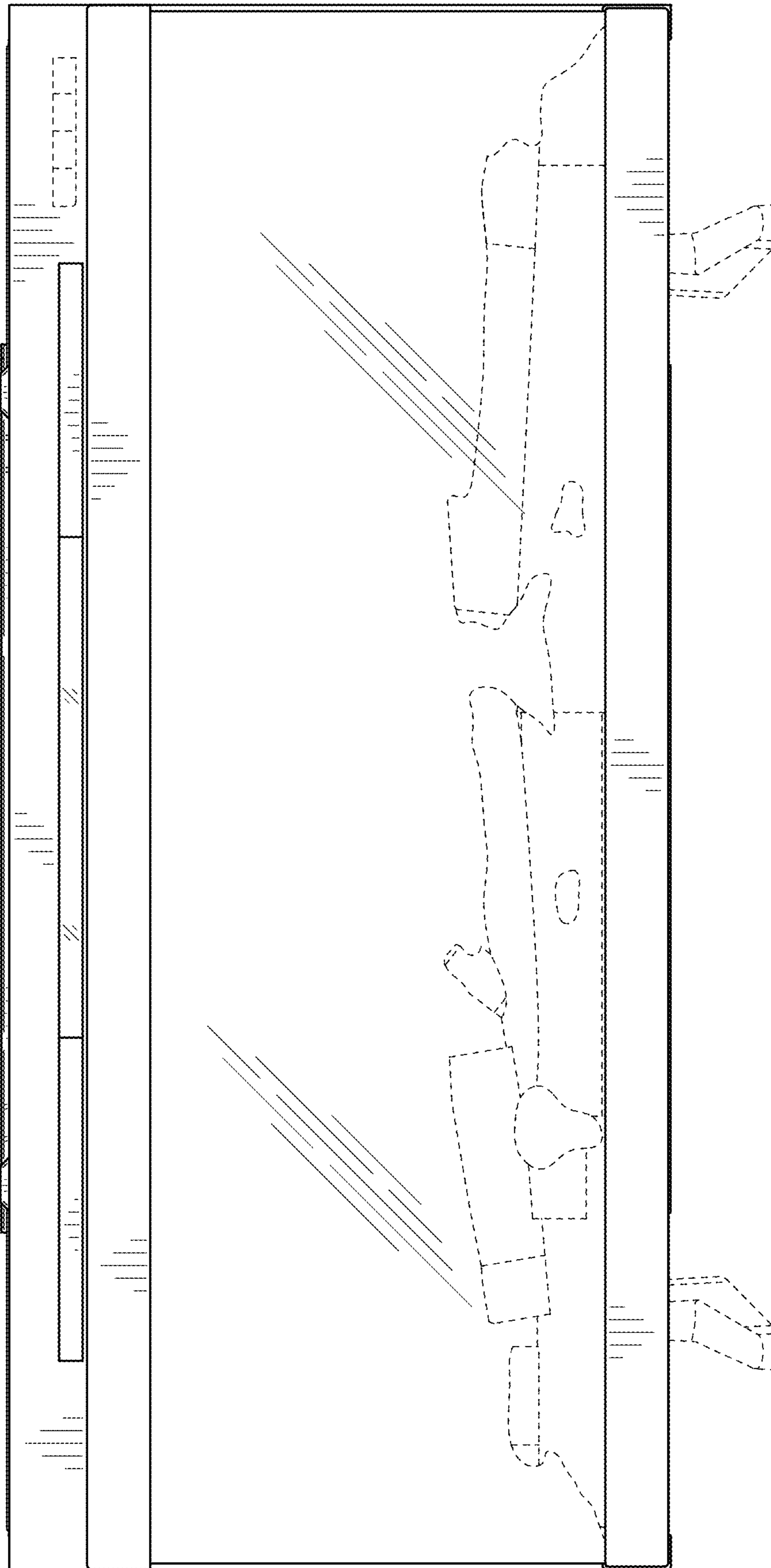


FIG. 2

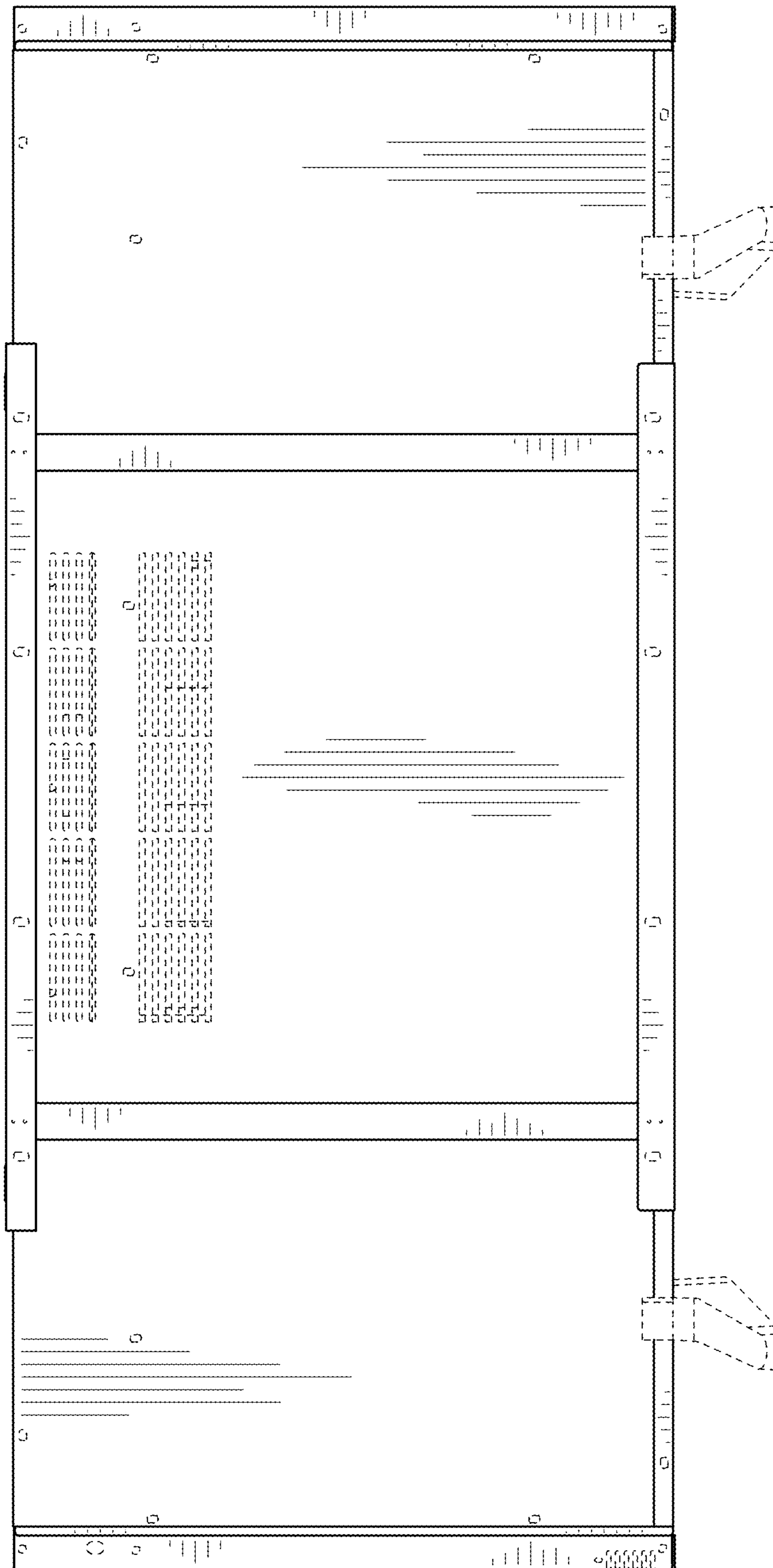


FIG. 3

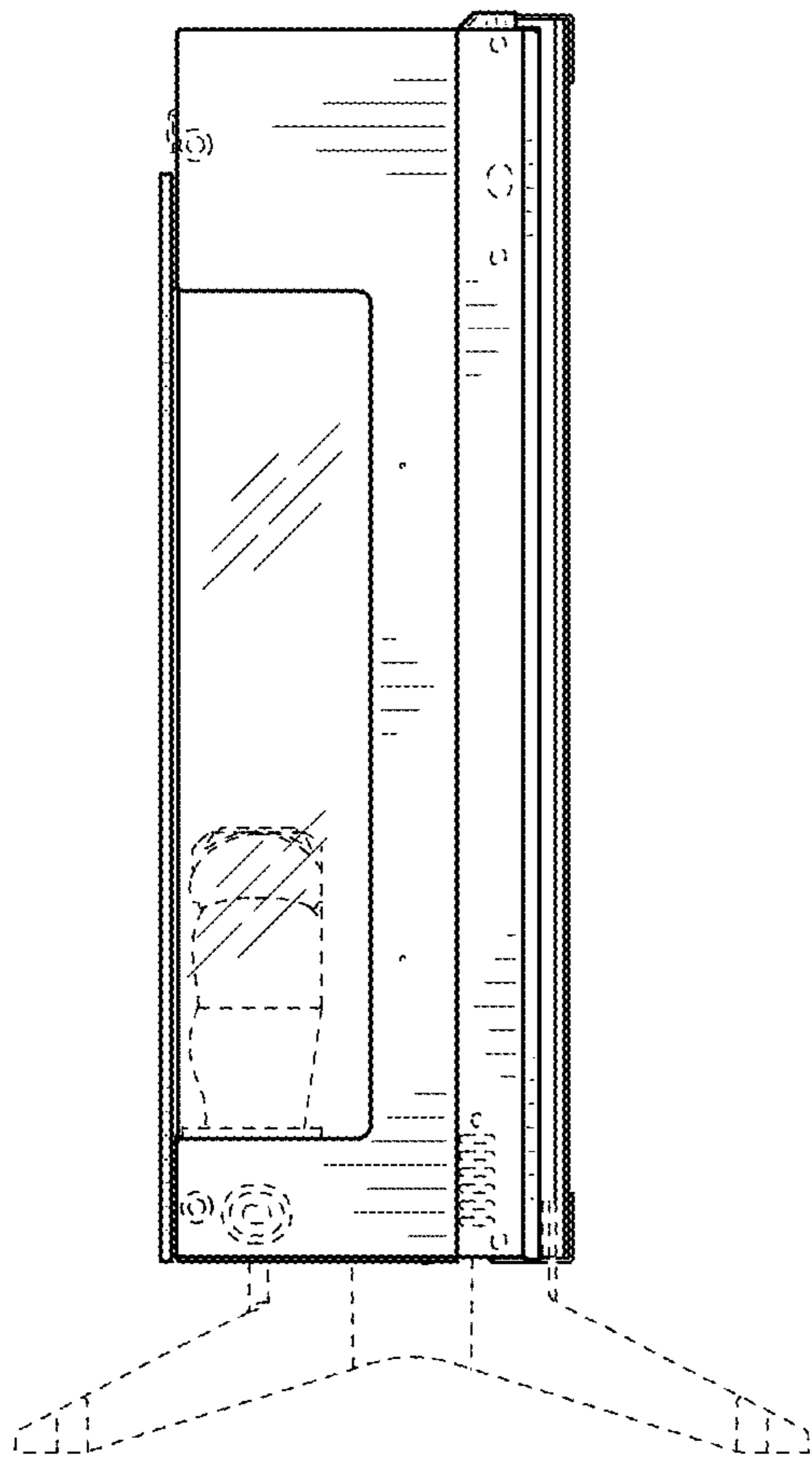


FIG. 4

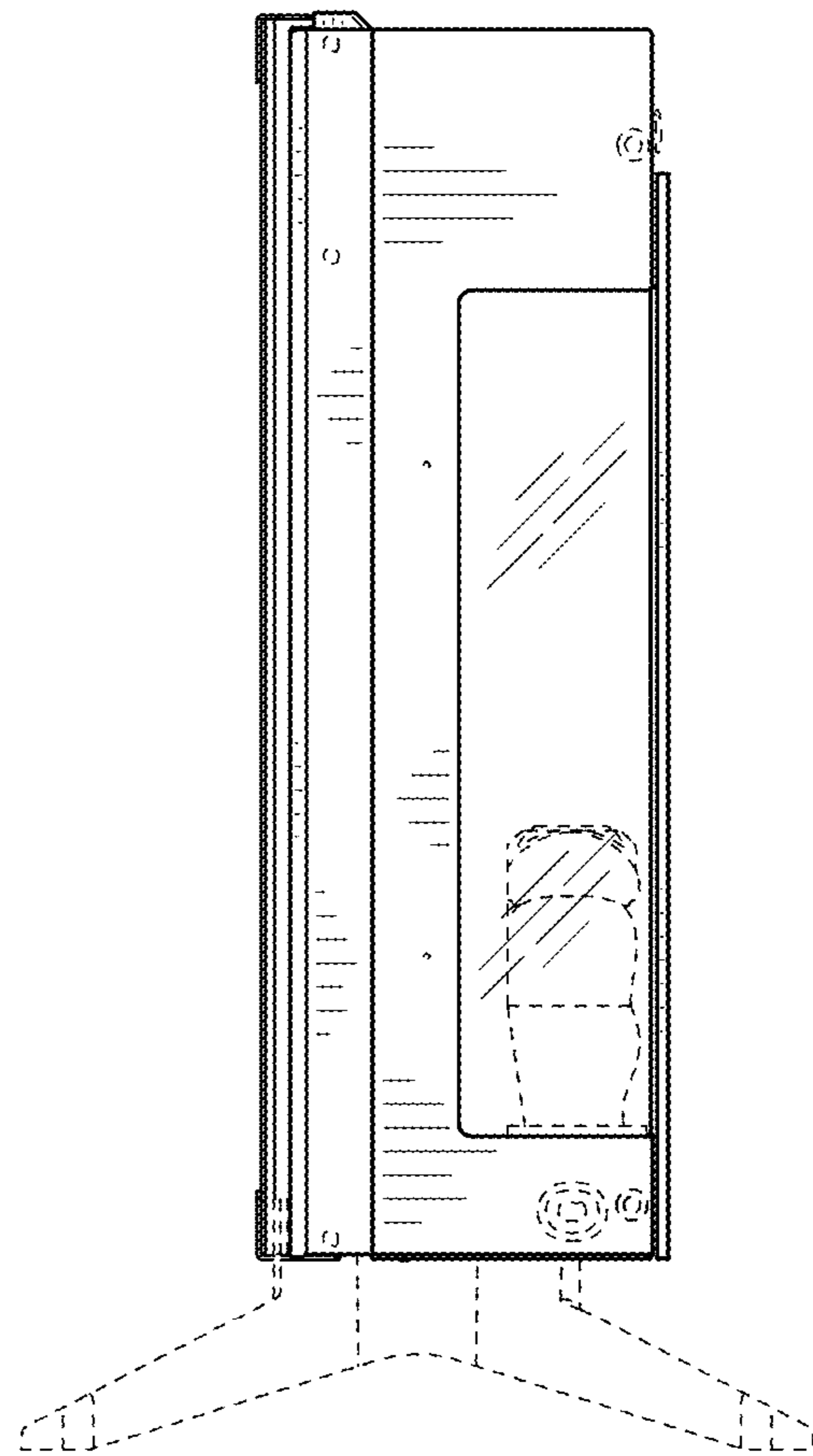


FIG. 5

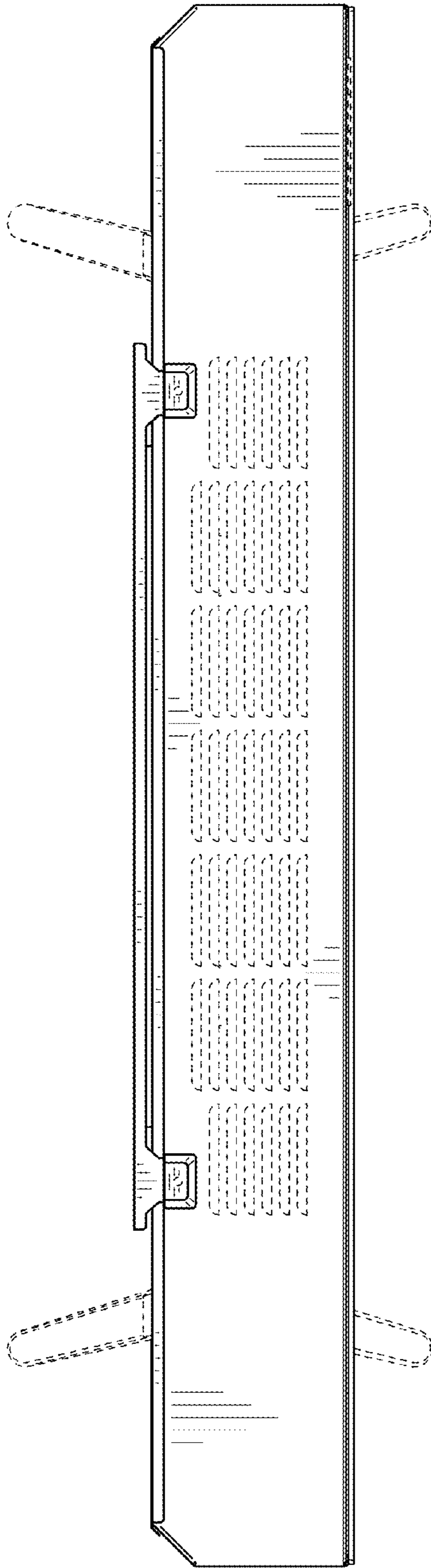


FIG. 6

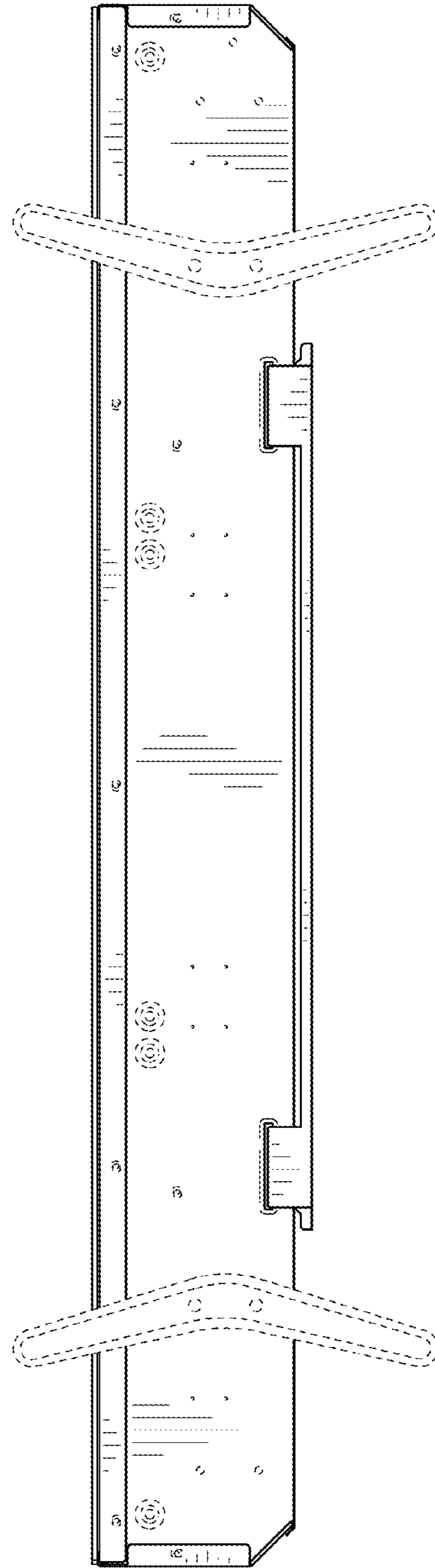


FIG. 7