



US00D931429S

(12) **United States Design Patent** (10) **Patent No.:** **US D931,429 S**
Karch et al. (45) **Date of Patent:** **** Sep. 21, 2021**

(54) **BOILER**

FOREIGN PATENT DOCUMENTS

(71) Applicant: **The Marley-Wylain Company**,
Michigan City, IN (US)

BX 36083-002 * 5/2003
CA 151555 * 6/2013

(Continued)

(72) Inventors: **Daniel Karch**, La Porte, IN (US);
Owen Cunningham, Michigan City, IN
(US); **Roger S. Anthony**, Buchanan,
MI (US); **Anis M. Rahman**, Valparaiso,
IN (US); **Dave DeVries**, Palatine, IL
(US); **Mike P. Boyd**, Orland Hills, IL
(US); **Ross Brinkman**, Oak Park, IL
(US); **Clifford Krapfl**, Chicago, IL
(US); **Johanna Frerichs**, Hamburg
(DE)

OTHER PUBLICATIONS

Portable Air Conditioner, announced Oct. 12, 2007[online], [site
visited Jun. 17, 2020]. Available from internet, URL:<<https://www.amazon.com/Movincool-Classic-Commercial-Portable-Conditioner/dp/B011CLXDTU>> (Year: 2007).*

(Continued)

(73) Assignee: **The Marley Company LLC**, Burr
Ridge, IL (US)

Primary Examiner — Barbara Fox

Assistant Examiner — Jamaal Rasheed

(74) *Attorney, Agent, or Firm* — BakerHostetler

(**) Term: **15 Years**

(57) **CLAIM**

(21) Appl. No.: **29/676,591**

The ornamental design for a boiler, as shown and described.

(22) Filed: **Jan. 11, 2019**

(51) **LOC (13) Cl.** **23-01**

(52) **U.S. Cl.**
USPC **D23/318**

(58) **Field of Classification Search**
USPC D23/370, 319, 337, 320, 351, 318, 238,
D23/335, 340, 314
CPC F24H 9/02; F24H 9/06; G05D 23/19
See application file for complete search history.

DESCRIPTION

The file of this patent contains at least one drawing/photo-
graph executed in color. Copies of this patent with color
drawing(s)/photograph(s) will be provided by the Office
upon request and payment of the necessary fee.

FIG. 1 is a perspective view of a boiler showing the new
design;

FIG. 2 is a front view of the boiler of FIG. 1;

FIG. 3 is a left side view of the boiler of FIG. 1;

FIG. 4 is a right side view of the boiler of FIG. 1;

FIG. 5 is a back view of the boiler of FIG. 1;

FIG. 6 is a top view of the boiler of FIG. 1; and,

FIG. 7 is a bottom view of the boiler of FIG. 1.

The broken lines shown in the drawings depict portions of
the boiler that form no part of the claimed design.

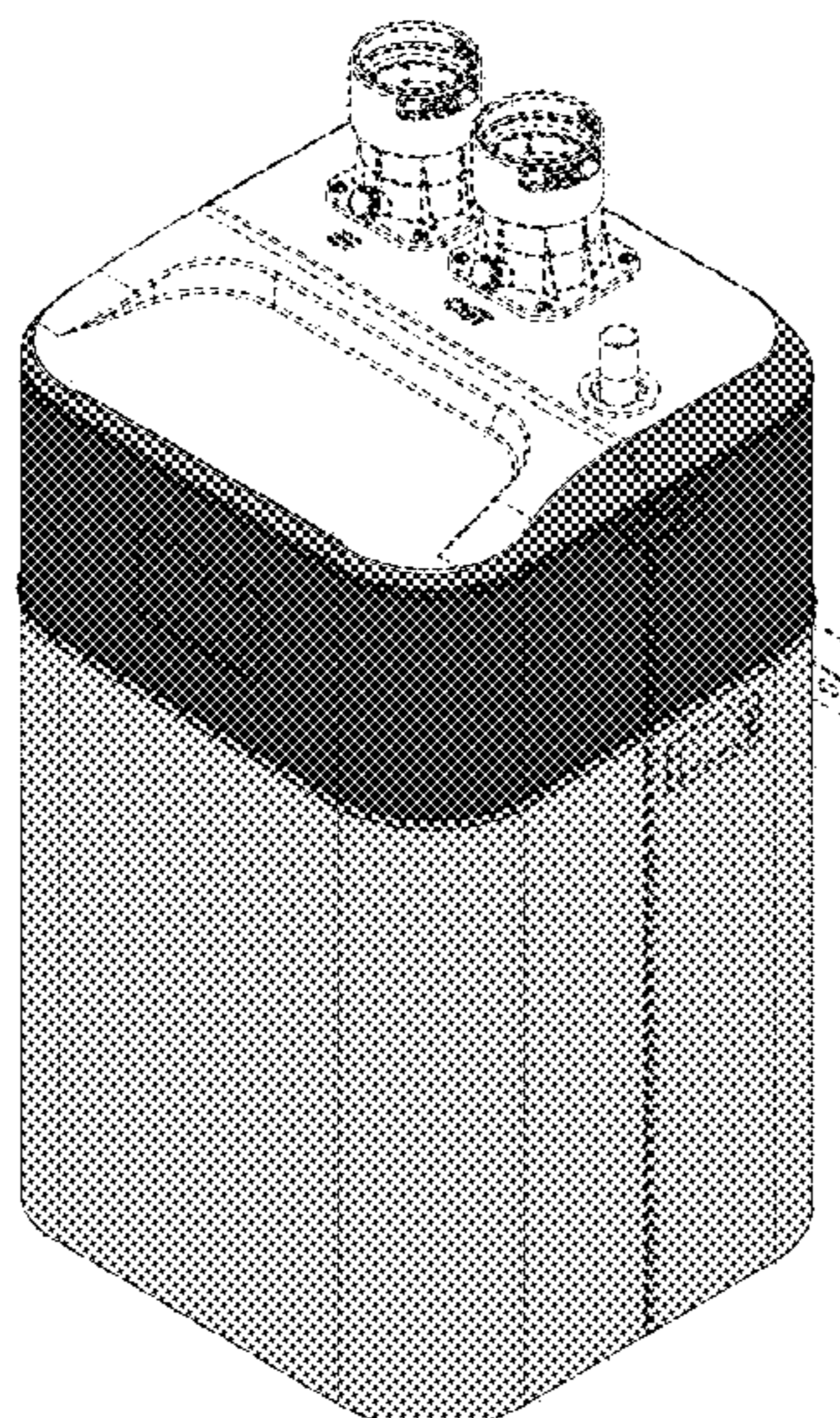
(56) **References Cited**

U.S. PATENT DOCUMENTS

D318,723 S * 7/1991 Chiu D23/337
D476,073 S * 6/2003 Bourgeois D23/370
D483,451 S * 12/2003 Yamamoto D23/320
D483,452 S * 12/2003 Yamamoto D23/320
D483,453 S * 12/2003 Yamamoto D23/320
D483,844 S * 12/2003 Yamamoto D23/320

(Continued)

1 Claim, 7 Drawing Sheets
(5 of 7 Drawing Sheet(s) Filed in Color)



(56)

References Cited

U.S. PATENT DOCUMENTS

D486,897 S * 2/2004 Rolph D23/319
 D532,498 S * 11/2006 Maegawa D23/318
 D533,648 S * 12/2006 Moskwa D23/319
 D533,928 S * 12/2006 Maegawa D23/318
 D547,853 S * 7/2007 Pilon D23/370
 D565,167 S * 3/2008 Hsu D23/370
 D570,976 S * 6/2008 Nanbu D23/318
 D687,134 S * 7/2013 Lee D23/320
 D694,381 S * 11/2013 Kitzke D23/320
 D703,299 S * 4/2014 Choi D23/319
 8,851,022 B2 * 10/2014 Jacques F24H 9/148
 122/19.2
 D800,283 S * 10/2017 Boxum D23/351
 D804,623 S * 12/2017 Yamaguchi D23/318
 D827,797 S * 9/2018 Boxum D23/351
 D845,453 S * 4/2019 Shono D23/318
 D877,307 S * 3/2020 Boxum D23/370

2004/0112305 A1* 6/2004 Johann F24H 8/00
 122/13.01
 2018/0058720 A1* 3/2018 Ando F24H 9/0005
 2018/0188751 A1* 7/2018 Tang G05D 23/1919

FOREIGN PATENT DOCUMENTS

CN 302994981 * 5/2014
 RU 00103839 * 9/2016

OTHER PUBLICATIONS

Tankless Hot Water Heater, announced Jun. 1, 2012[online], [site visited Jun. 17, 2020]. Available from internet, URL:<<https://www.amazon.com/Rinnai-V65IN-Indoor-Tankless-Natural/dp/B0084CPEDO>> (Year: 2012).*

SE Tankless Hot Water Heater, announced Jun. 23, 2015[online], [site visited Jun. 17, 2020]. Available from internet, URL:<<https://www.amazon.com/Rinnai-RUS65EN-Ultra-Tankless-Heater/dp/B010Q1XKH2>> (Year: 2015).*

* cited by examiner

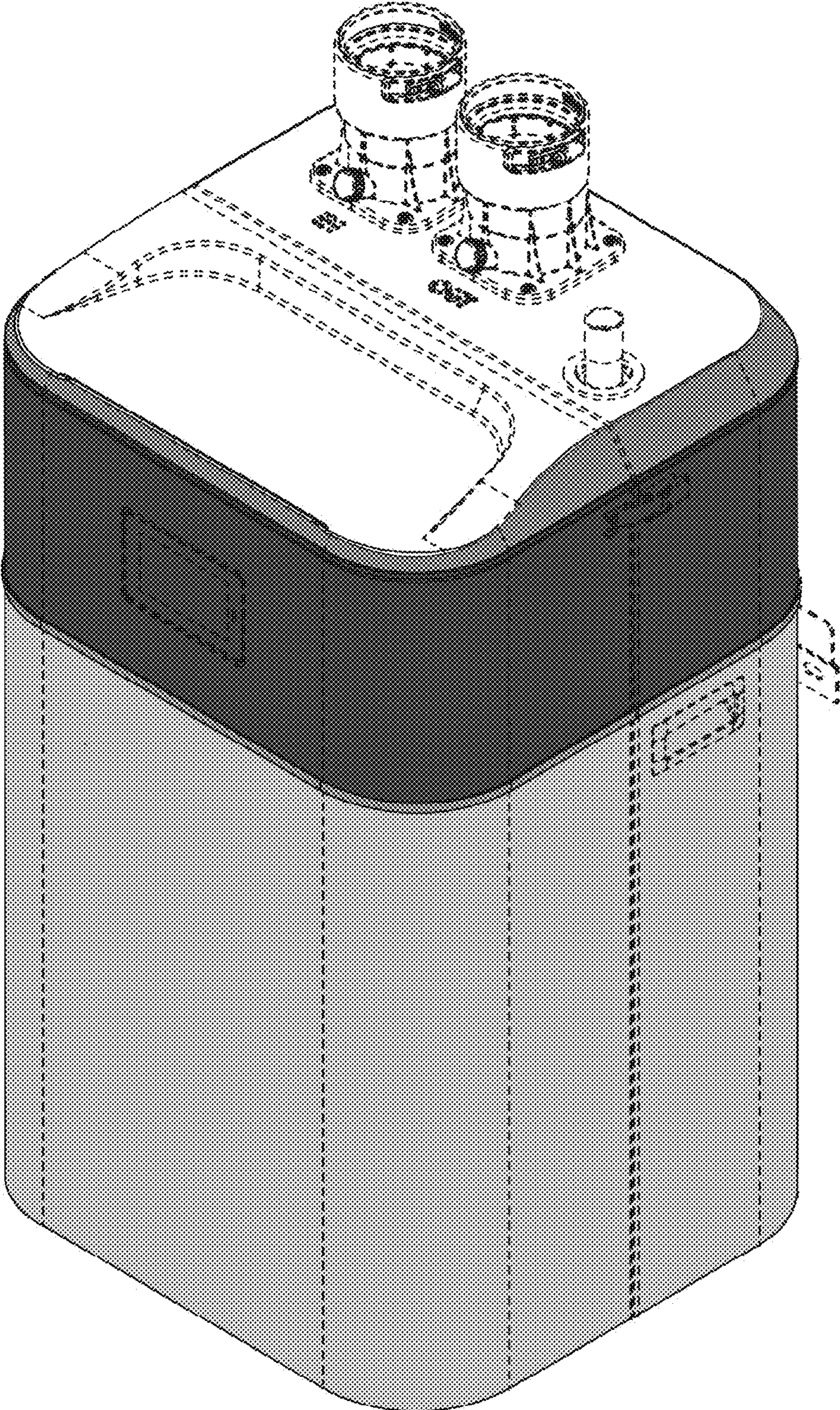


FIG. 1

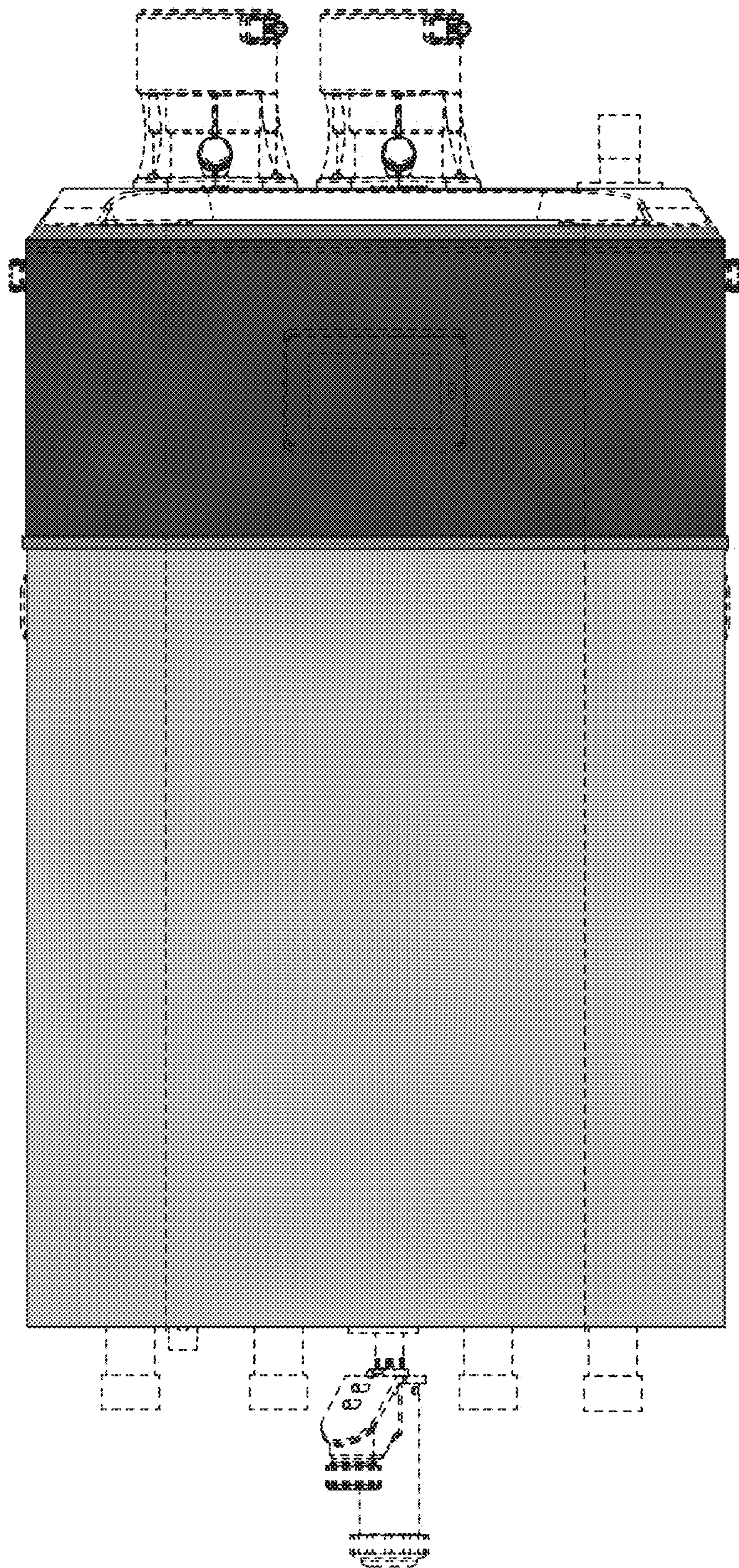


FIG. 2

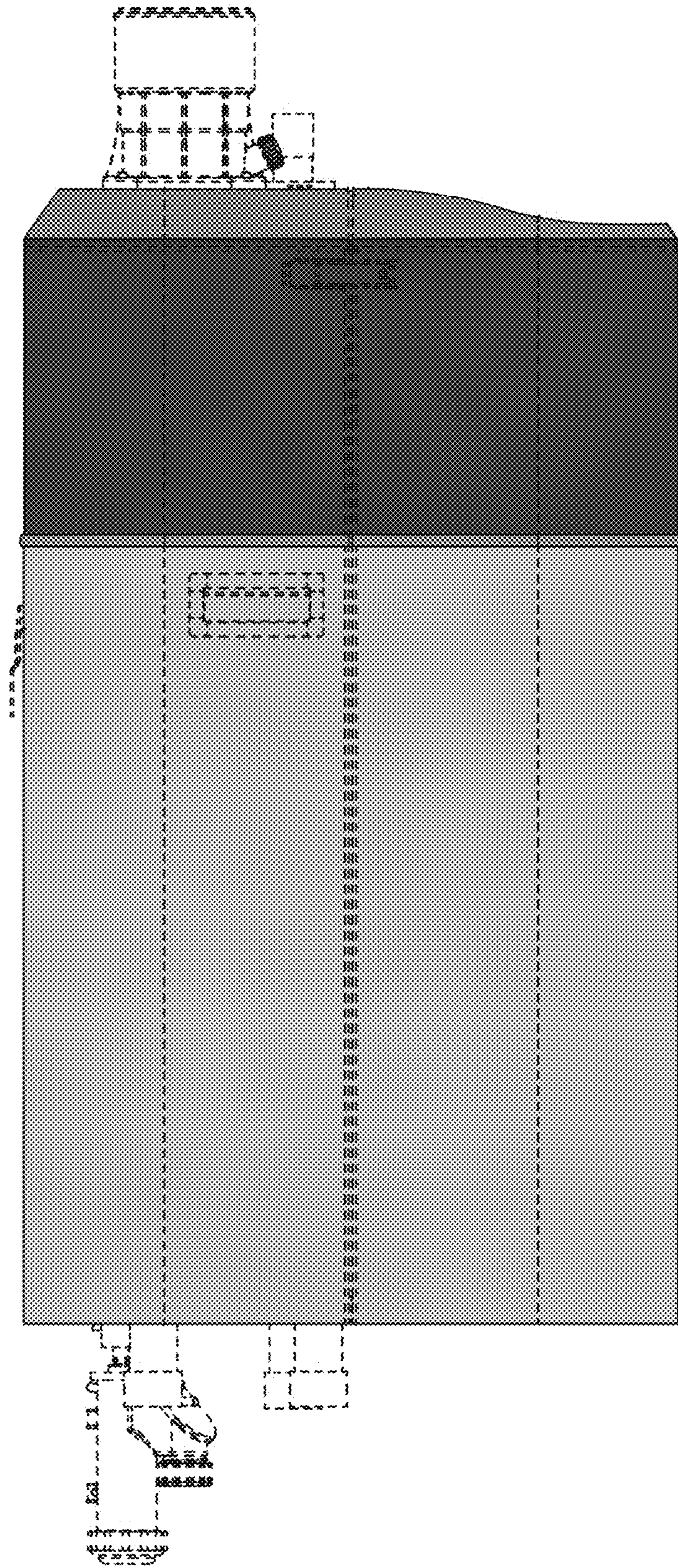


FIG. 3

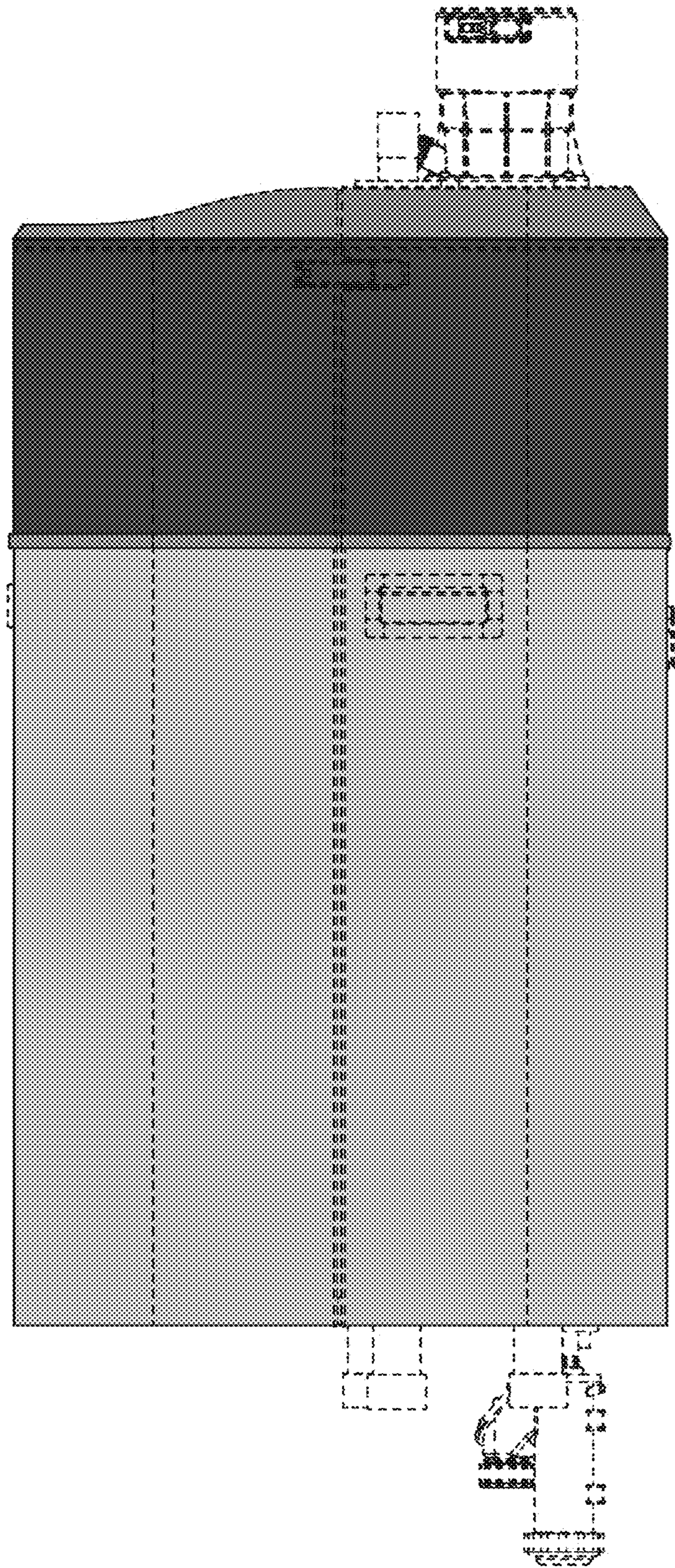


FIG. 4

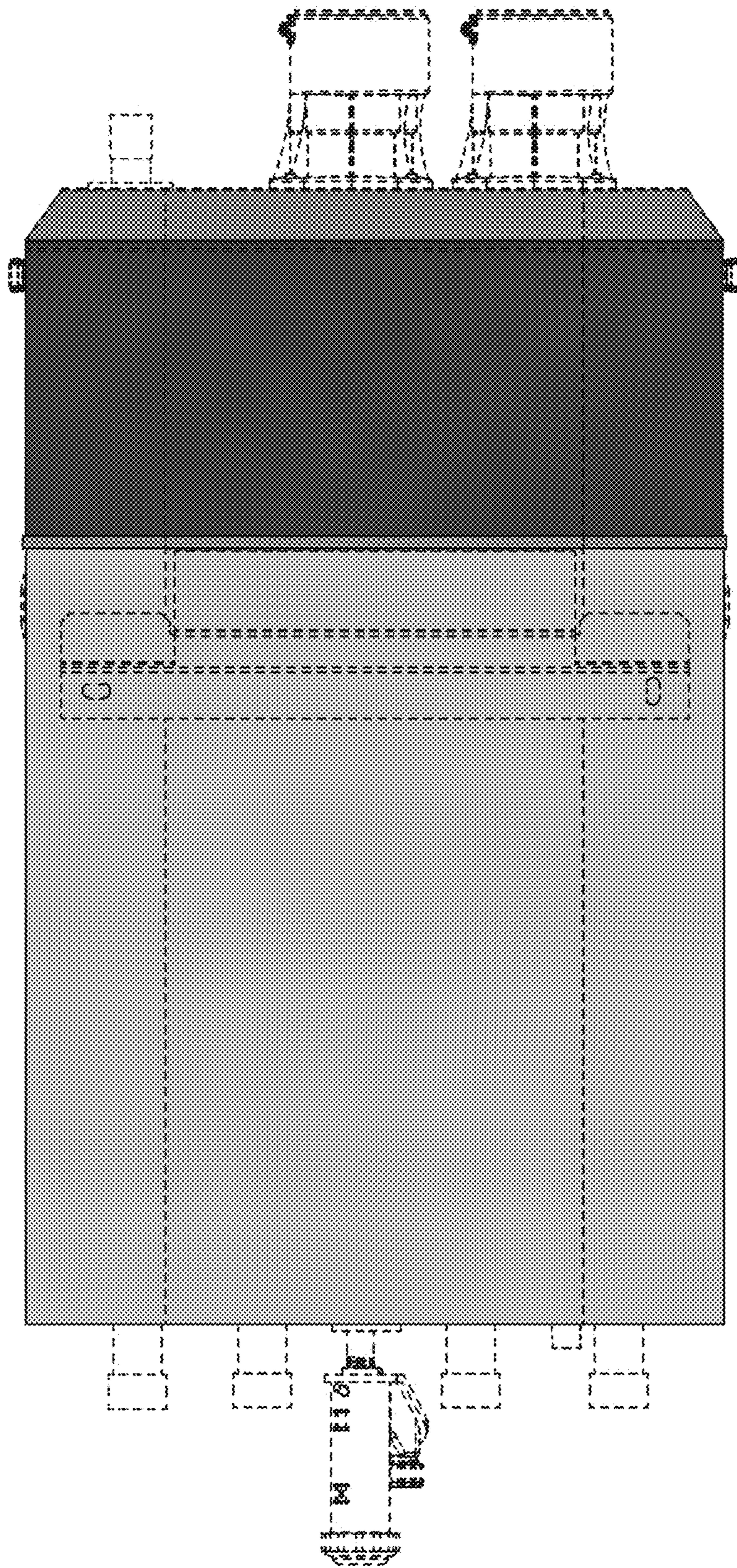


FIG. 5

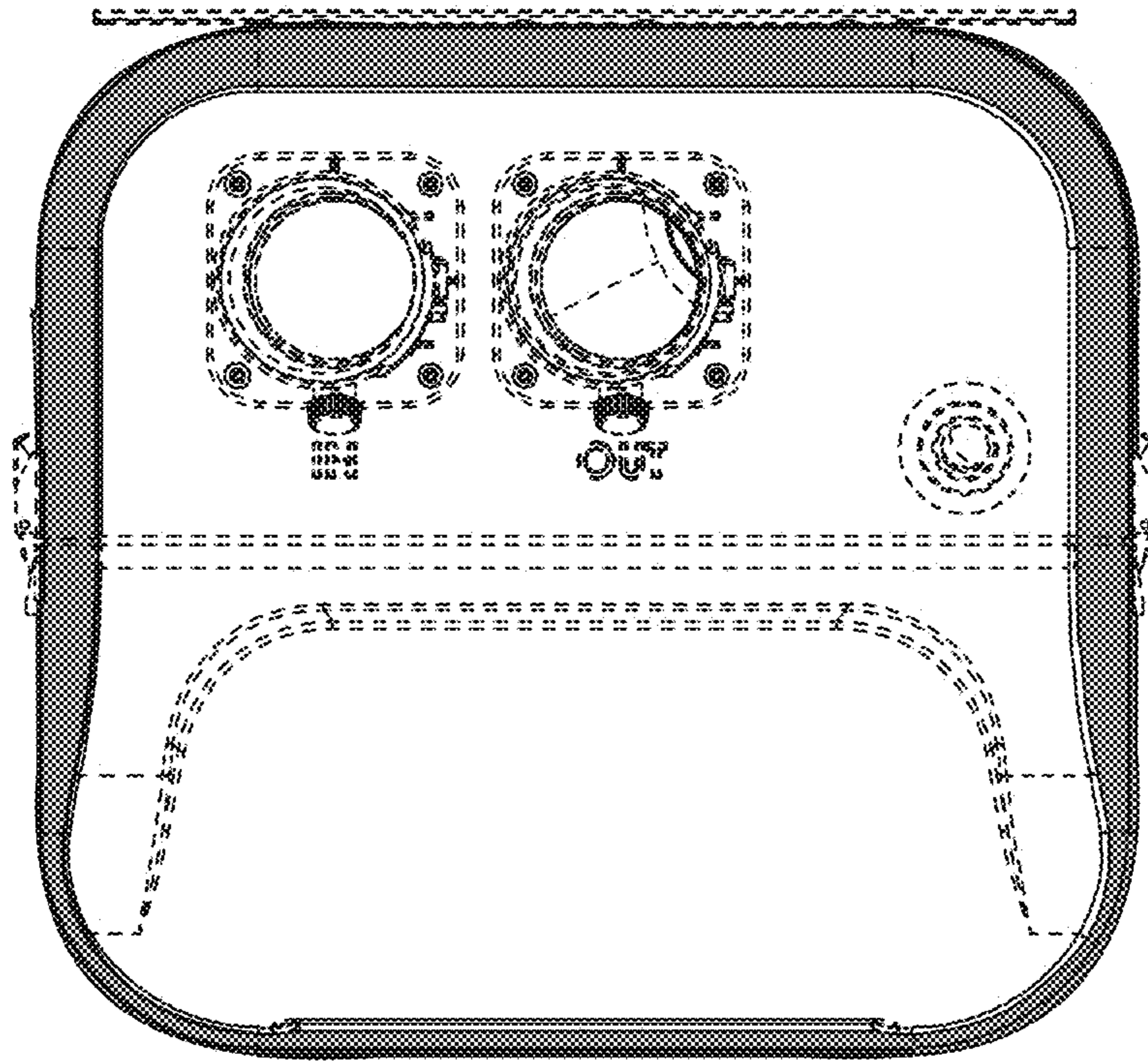


FIG. 6

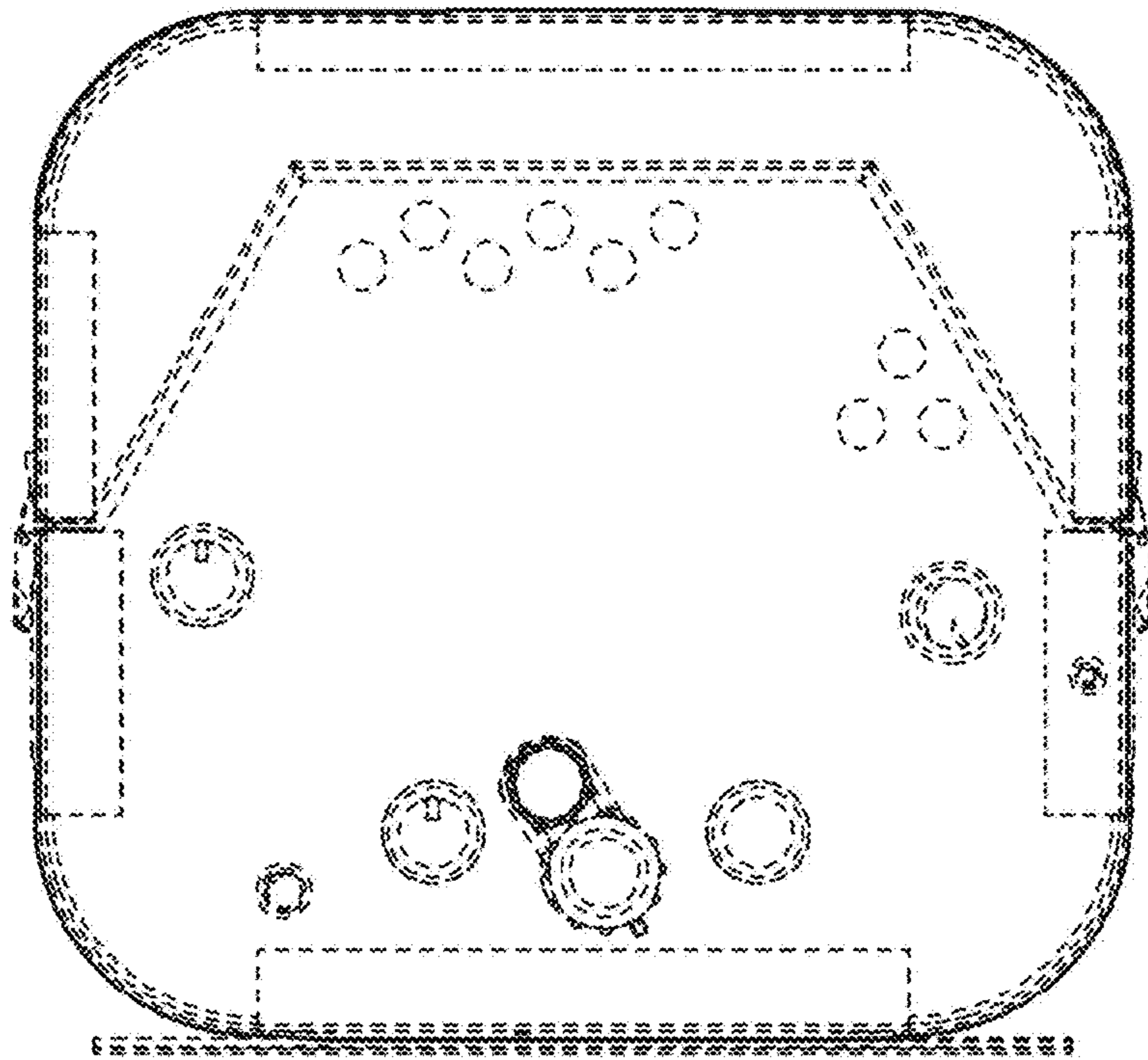


FIG. 7