



US00D931427S

(12) **United States Design Patent** (10) **Patent No.:** **US D931,427 S**
Uceda (45) **Date of Patent:** **** Sep. 21, 2021**

- (54) **TOILET**
- (71) Applicant: **Kohler Co.**, Kohler, WI (US)
- (72) Inventor: **Carlos F. Uceda**, Sheboygan, WI (US)
- (73) Assignee: **Kohler Co.**, Kohler, WI (US)
- (**) Term: **15 Years**
- (21) Appl. No.: **29/767,730**
- (22) Filed: **Jan. 25, 2021**

- D806,842 S 1/2018 Goad
- D812,730 S * 3/2018 Garrels D23/309
- D892,285 S * 8/2020 Uceda D23/301

* cited by examiner

Primary Examiner — Robert A Delehanty
(74) *Attorney, Agent, or Firm* — Lempia Summerfield Katz LLC

(57) **CLAIM**

I claim the ornamental design for a toilet, as shown and described.

Related U.S. Application Data

- (62) Division of application No. 29/735,912, filed on May 26, 2020, now Pat. No. Des. 912,231, which is a division of application No. 29/662,925, filed on Sep. 10, 2018, now Pat. No. Des. 892,285.
- (51) **LOC (13) Cl.** **23-02**
- (52) **U.S. Cl.**
USPC **D23/309**
- (58) **Field of Classification Search**
USPC D23/295, 301, 303, 310, 313
CPC A47K 11/00
See application file for complete search history.

DESCRIPTION

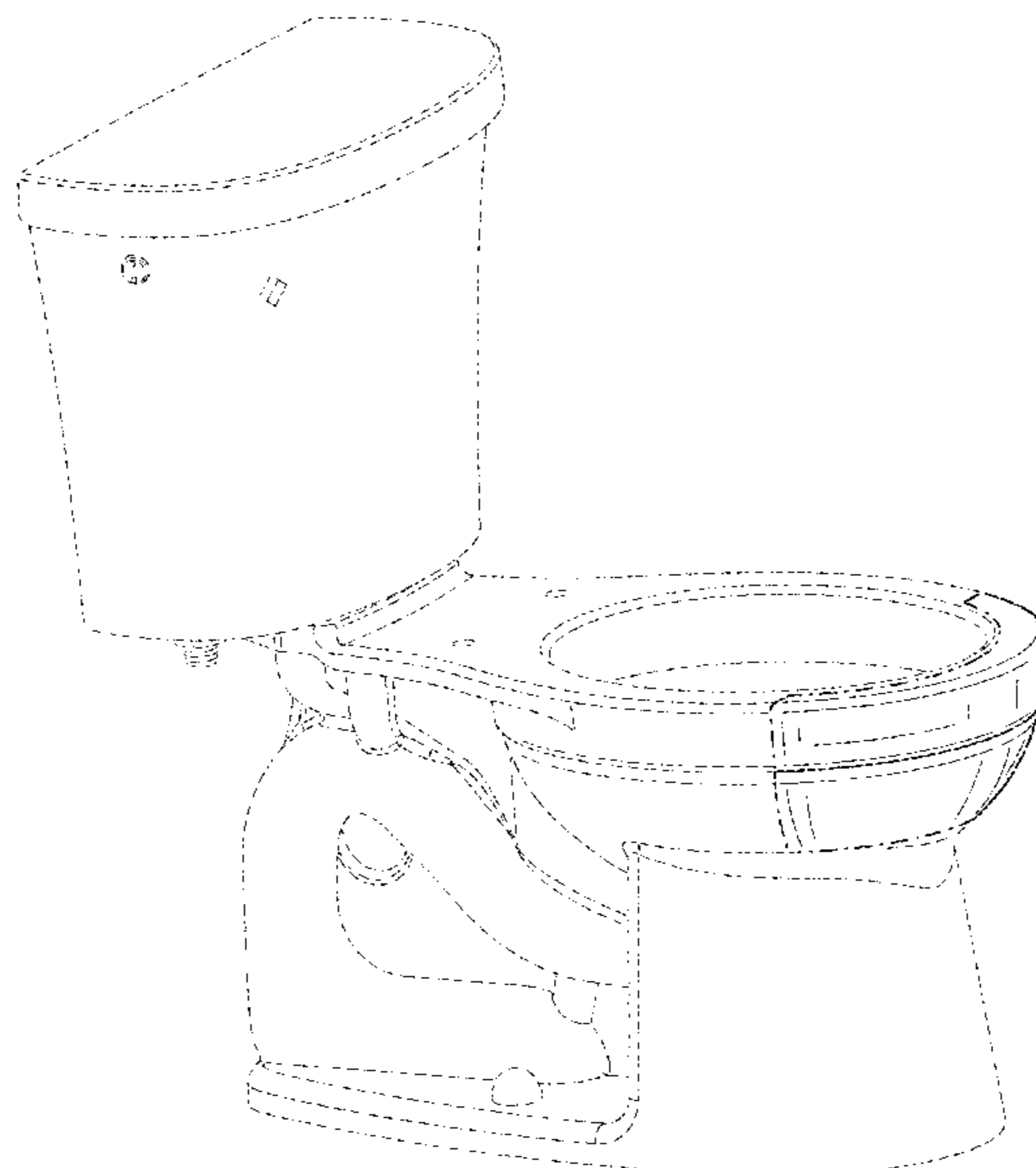
FIG. 1 is a top, front, left perspective view of another embodiment of the claimed design;
FIG. 2 is a left side elevation view thereof;
FIG. 3 is a right side elevation view thereof;
FIG. 4 is a front elevation view thereof;
FIG. 5 is a rear elevation view thereof;
FIG. 6 is a top plan view thereof;
FIG. 7 is a bottom plan view thereof; and,
FIG. 8 is a close up view taken at lines 29-29 of FIG. 2.
The ornamental design which is claimed is shown in solid lines in the drawings. The broken lines in the drawings are for illustrative purposes only and form no part of the claimed design. Broken lines formed by equal length dashes show unclaimed subject matter. Broken lines formed by unequal length dashes (i.e., dash-dot) define bounds of the claimed design. Broken away symbols having a jagged element are not part of the claimed design and show unspecified lengths of the portion are possible and that no particular length of the portion is being claimed. Such break lines illustrate a symbolic break in length, and the appearance of any portion of the article between the break lines forms no part of the claimed design.

(56) **References Cited**

U.S. PATENT DOCUMENTS

- D347,054 S 5/1994 Kohler
- D397,214 S 8/1998 Felker
- D507,335 S 7/2005 Gordon
- D514,208 S 1/2006 Gordon
- D532,875 S 11/2006 Kaule
- D647,184 S 10/2011 Bates
- D654,993 S * 2/2012 Ando D23/301
- D662,575 S 6/2012 Corpuz, Jr.
- D690,402 S 9/2013 Bates
- D697,599 S 1/2014 Bates
- D725,248 S 3/2015 Bates
- D743,516 S 11/2015 Bates

1 Claim, 8 Drawing Sheets



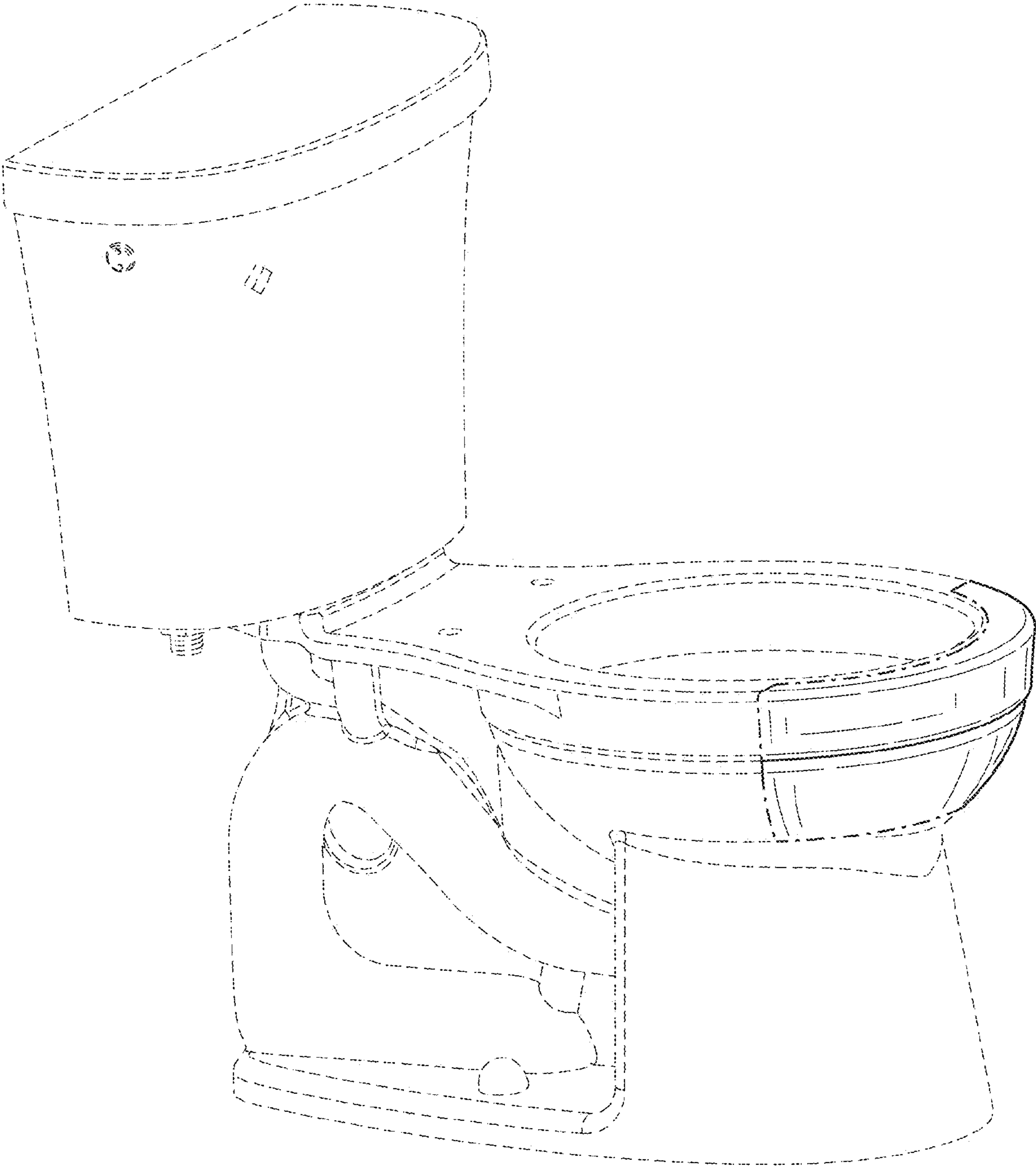


FIG. 1

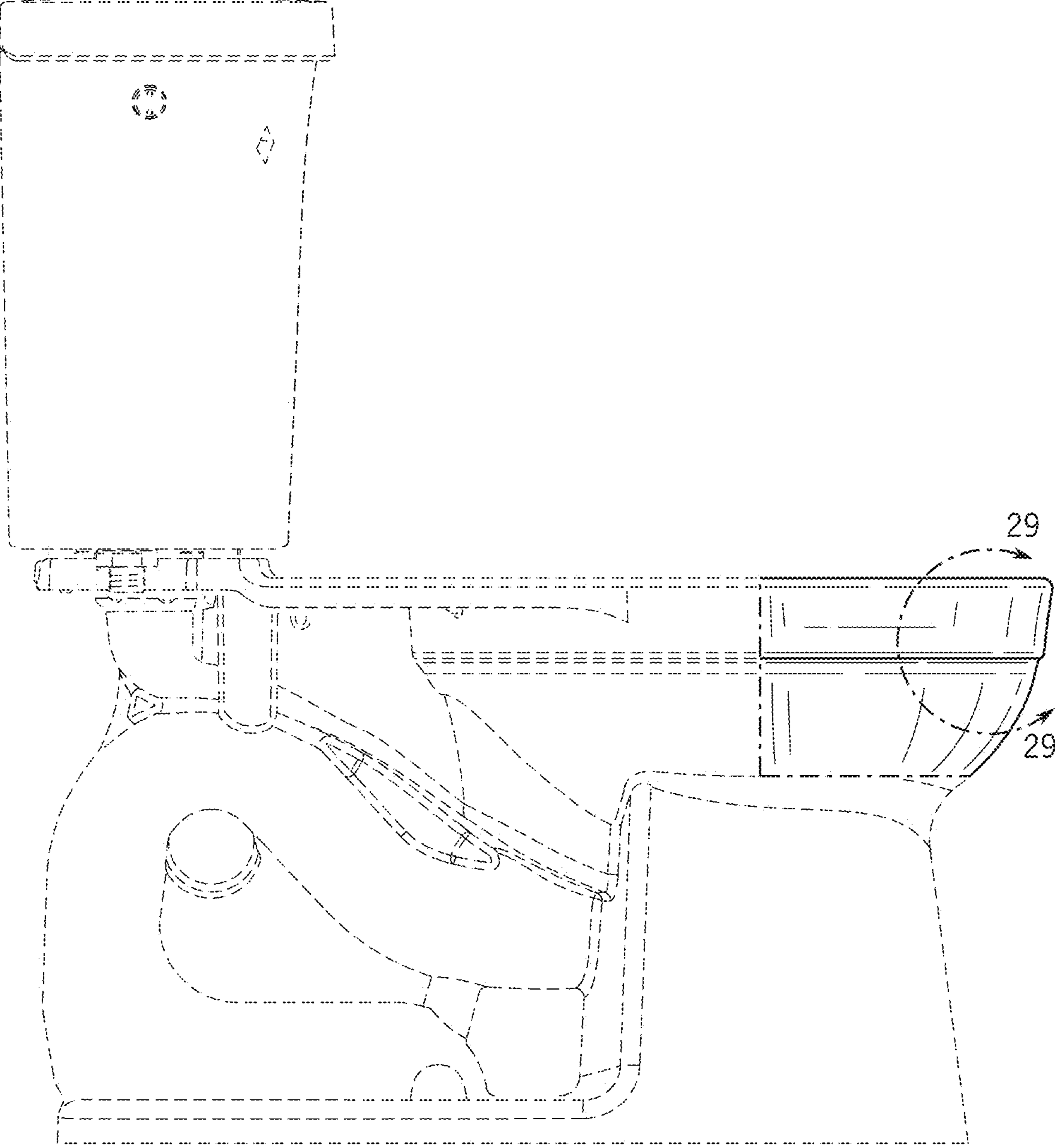


FIG. 2

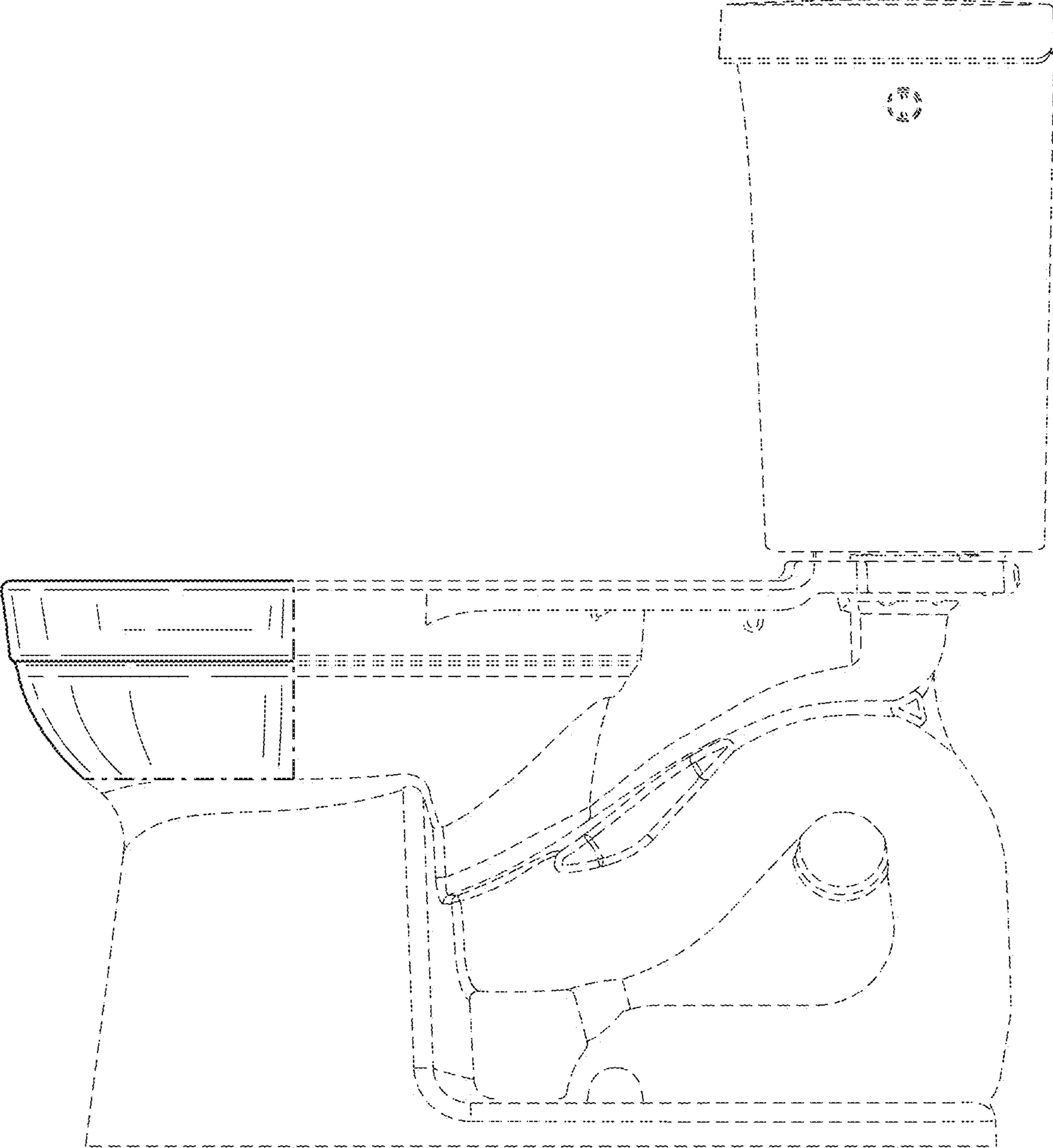


FIG. 3

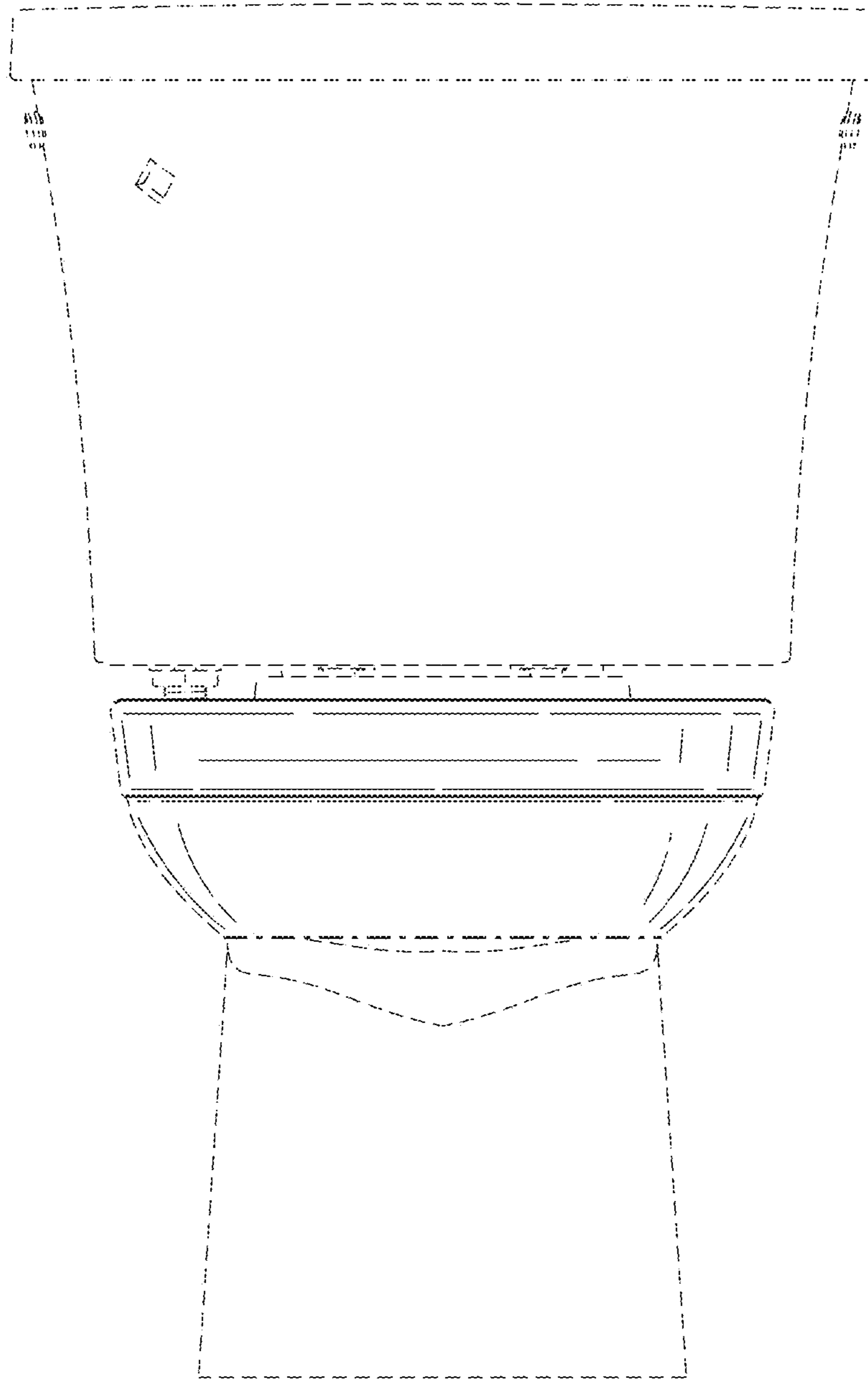


FIG. 4

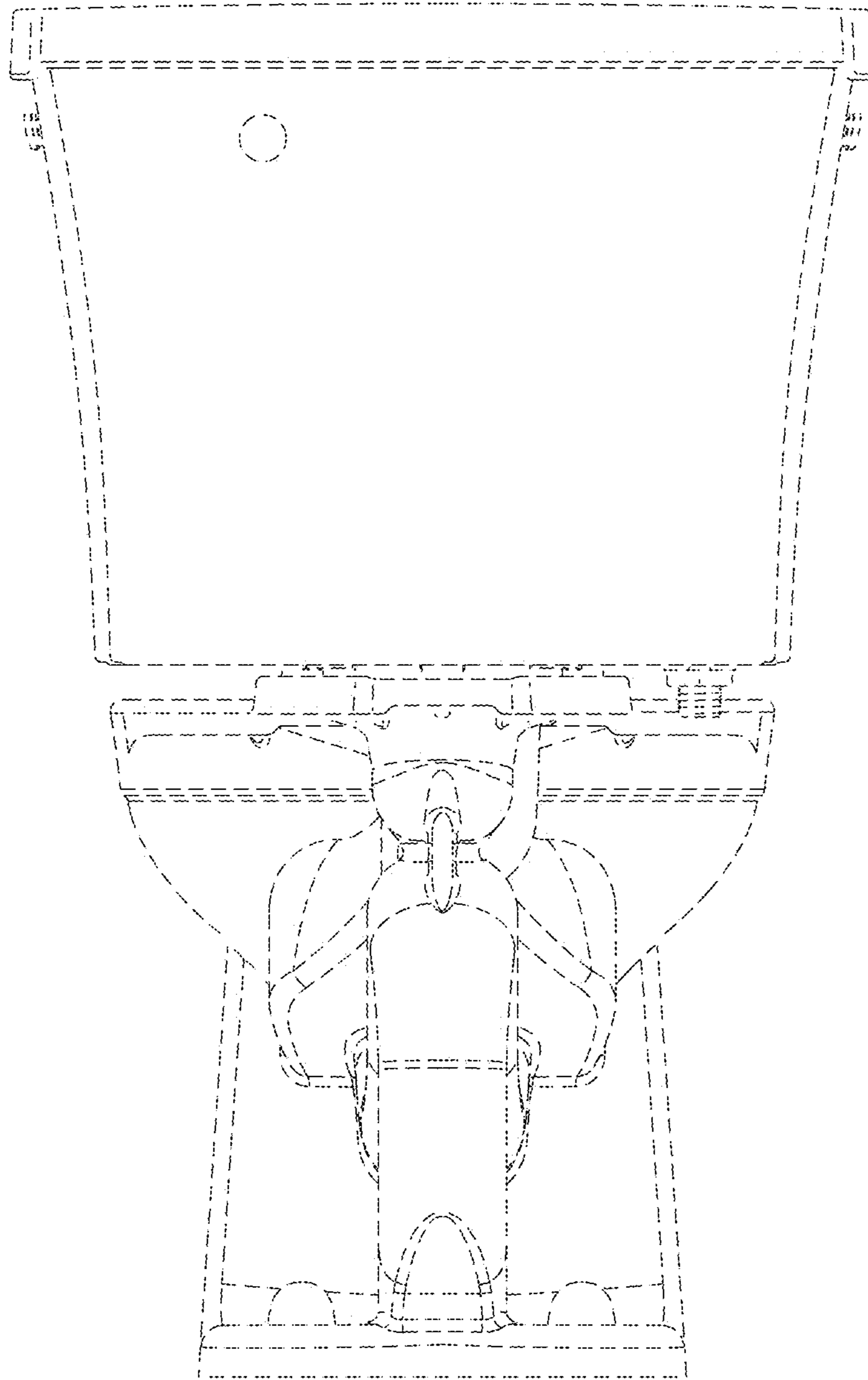


FIG. 5

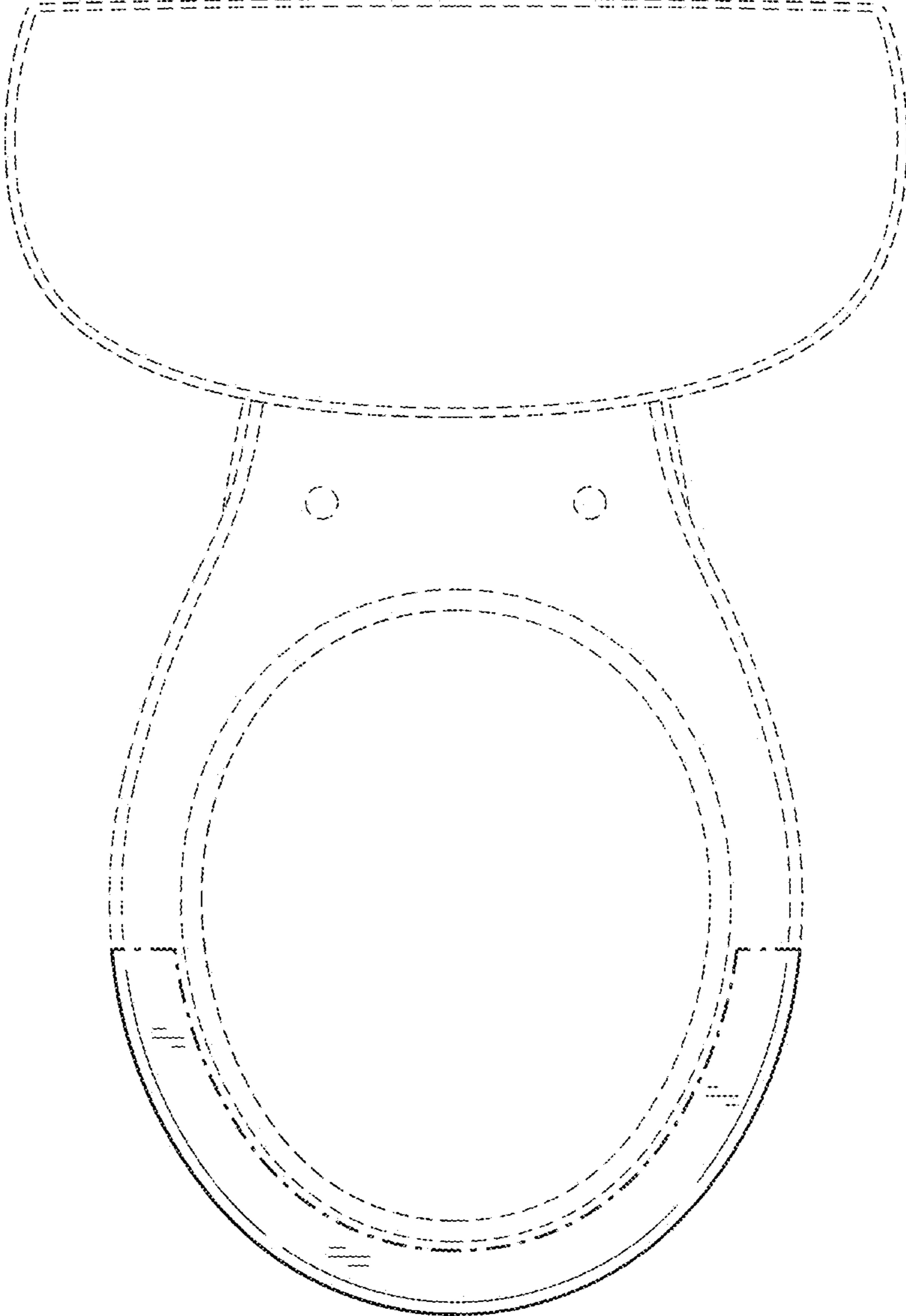


FIG. 6

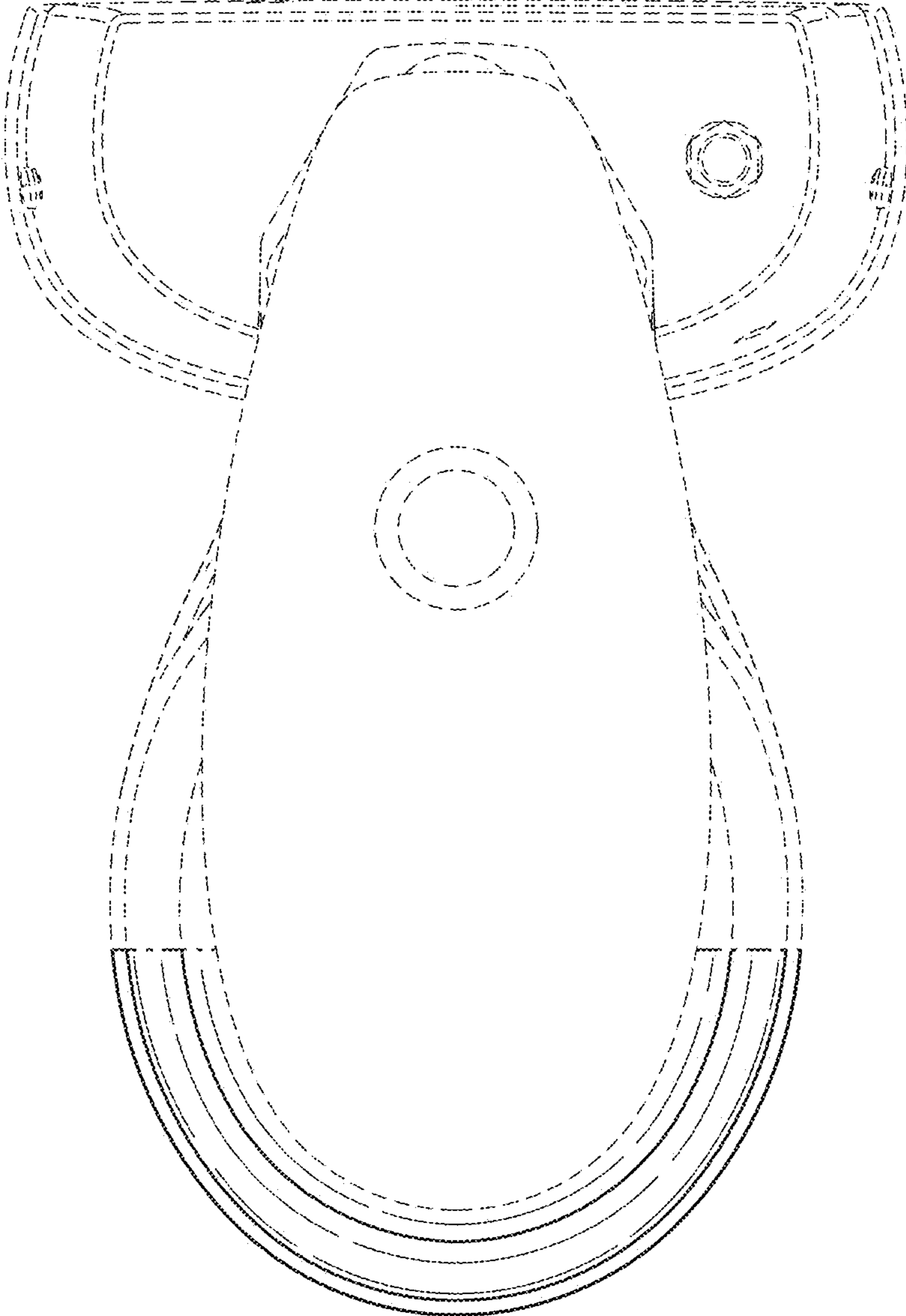


FIG. 7

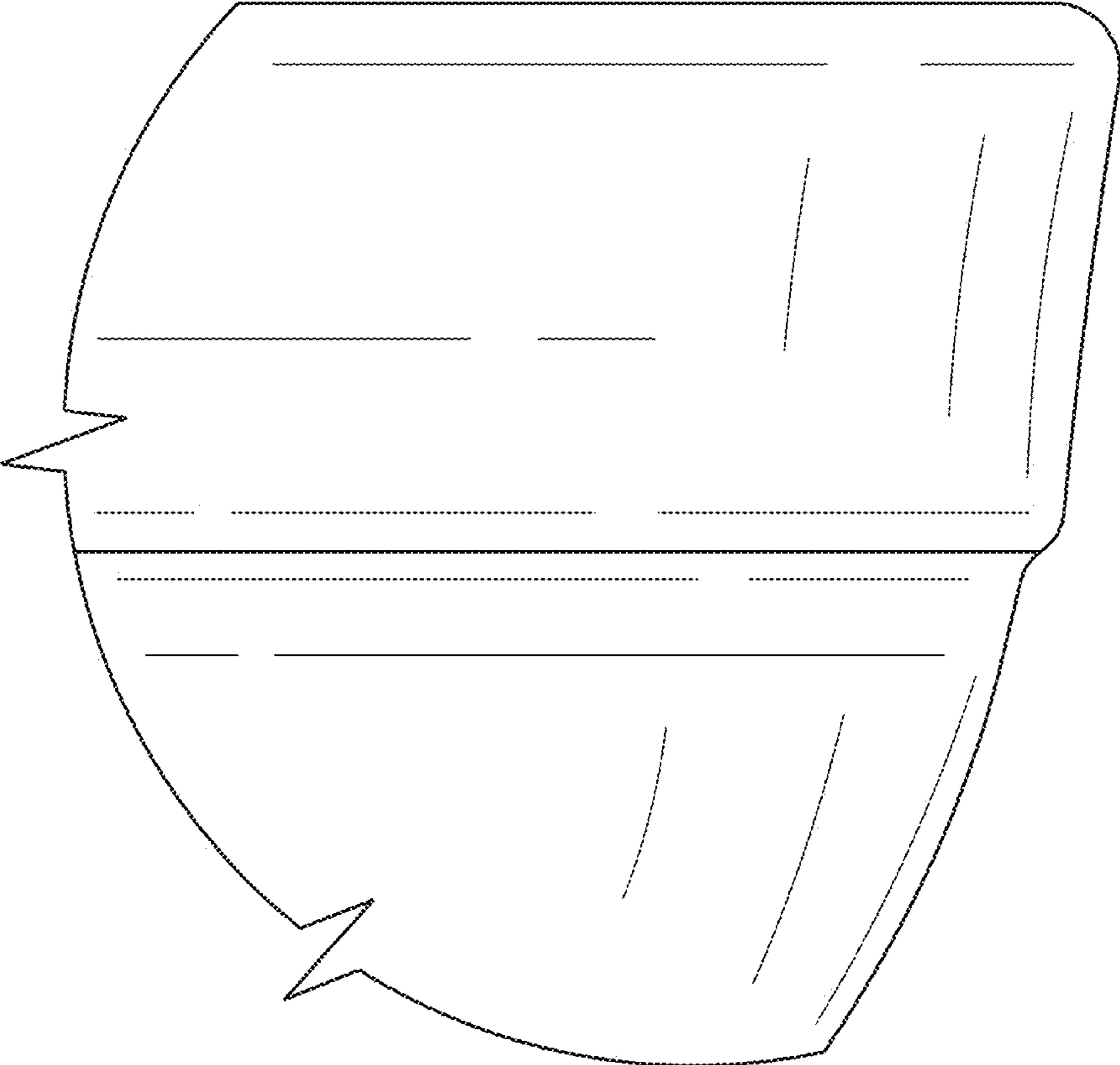


FIG. 8