



US00D931426S

(12) **United States Design Patent**  
**Ravassa et al.**

(10) **Patent No.:** **US D931,426 S**

(45) **Date of Patent:** **\*\* Sep. 21, 2021**

(54) **TOILET**

D523,541 S \* 6/2006 Soulier ..... D23/295  
D823,995 S \* 7/2018 Garrels ..... D23/300

(71) Applicant: **AS America, Inc.**, Piscataway, NJ (US)

\* cited by examiner

(72) Inventors: **Gabriela Ravassa**, Brooklyn, NY (US);  
**Christophe Bucher**, Hillsborough, NJ (US);  
**Jean-Jacques L’Henaff**, New Canaan, CT (US)

*Primary Examiner* — Robert A Delehanty

(74) *Attorney, Agent, or Firm* — Tyler A. Stevenson;  
Anna-lisa L. Gallo

(73) Assignee: **AS America, Inc.**, Piscataway, NJ (US)

(57) **CLAIM**

(\*\*) Term: **15 Years**

We claim the ornamental design for a toilet, as shown and described.

(21) Appl. No.: **29/719,851**

**DESCRIPTION**

(22) Filed: **Jan. 8, 2020**

(51) **LOC (13) Cl.** ..... **23-02**

(52) **U.S. Cl.**  
USPC ..... **D23/300**

(58) **Field of Classification Search**  
USPC ..... D23/295, 300–301, 309, 313  
See application file for complete search history.

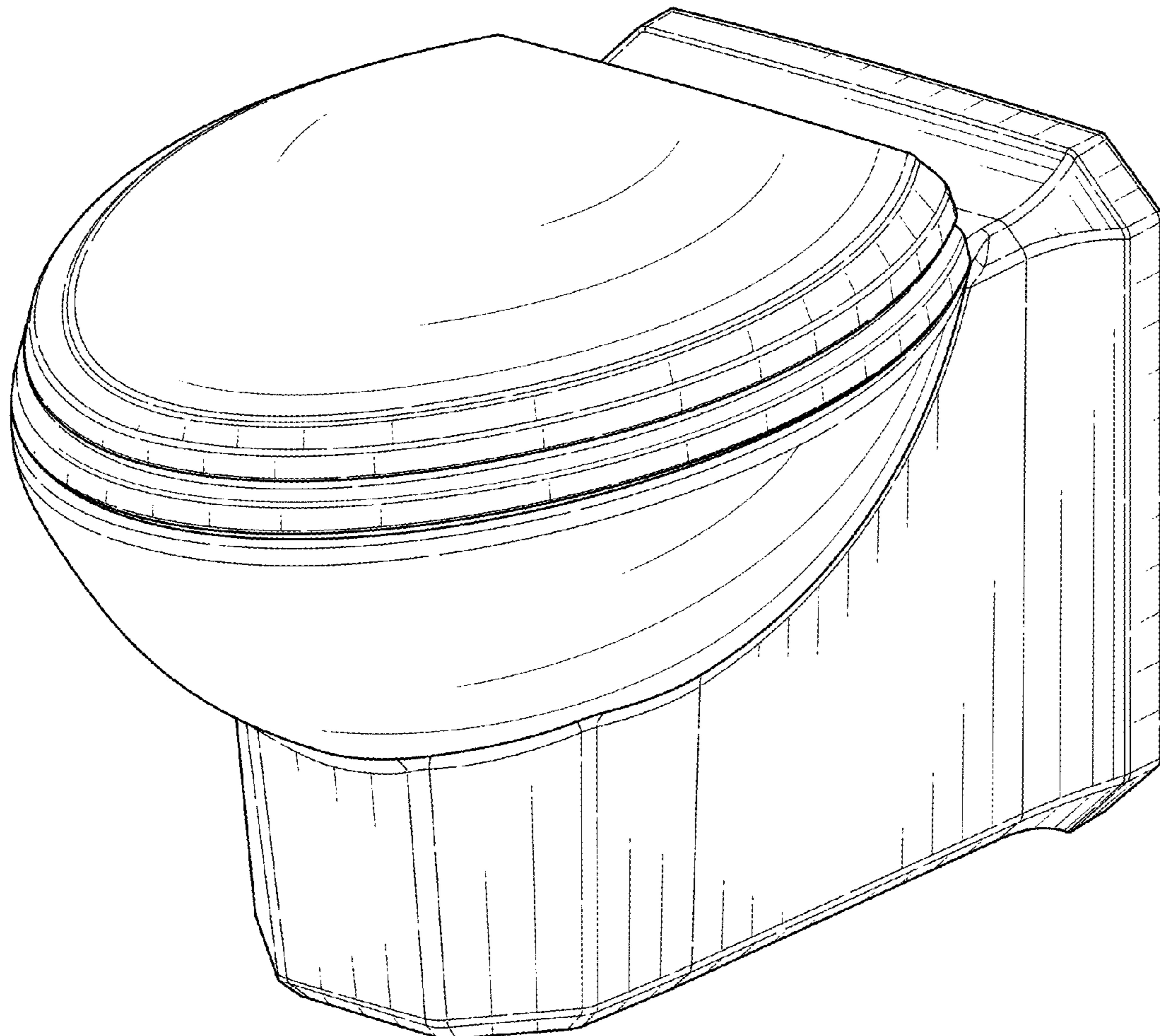
FIG. 1 is a front, top, right side perspective view of a toilet showing our new design;  
FIG. 2 is a front view thereof;  
FIG. 3 is a rear view thereof;  
FIG. 4 is a left side view thereof;  
FIG. 5 is a right side view thereof;  
FIG. 6 is a top view thereof; and,  
FIG. 7 is a bottom view thereof.  
Broken lines of the disclosure are for illustrative purposes only and form no part of the claimed design.

(56) **References Cited**

**U.S. PATENT DOCUMENTS**

D343,892 S \* 2/1994 Chen ..... D23/301

**1 Claim, 7 Drawing Sheets**



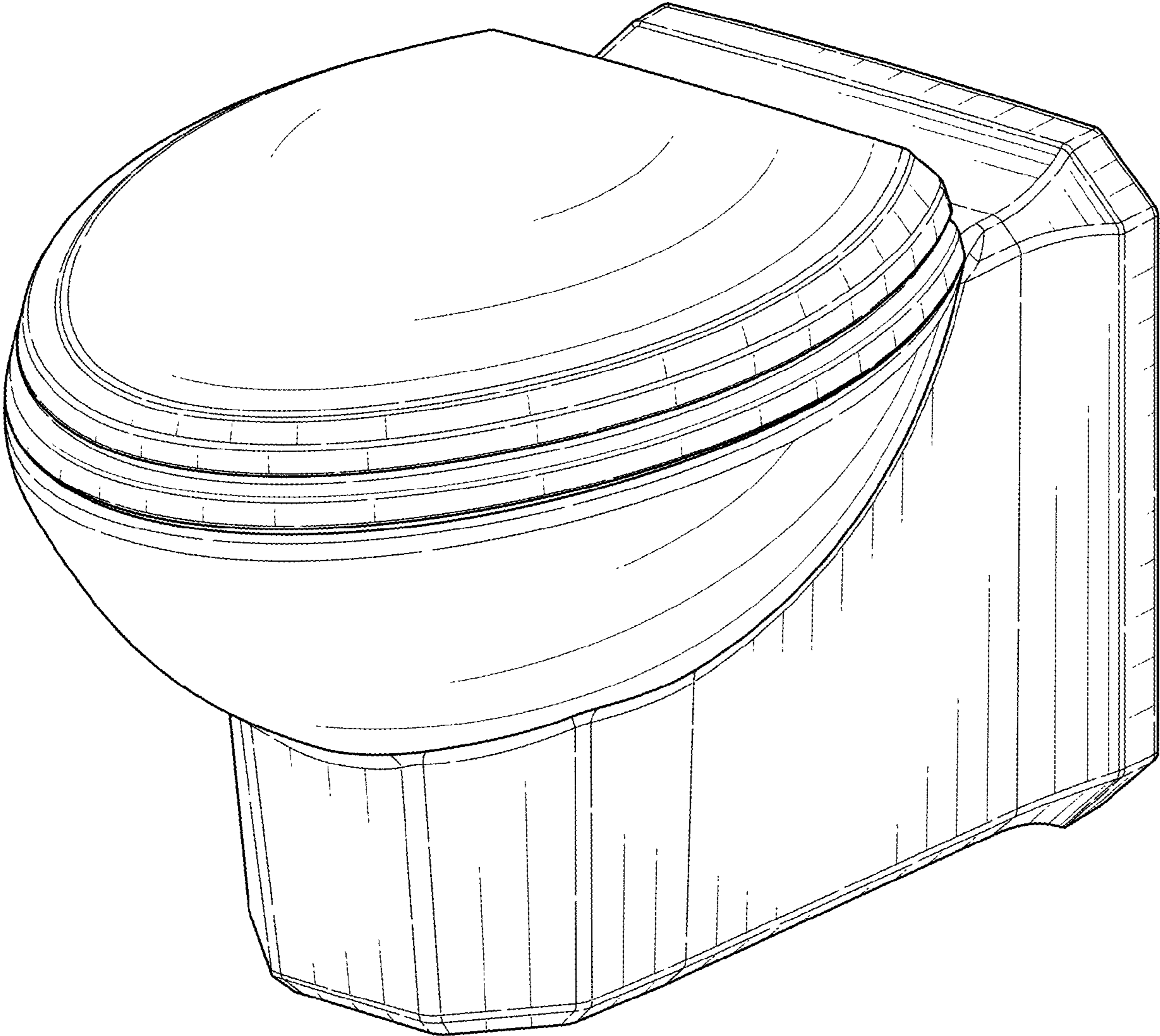


FIG. 1

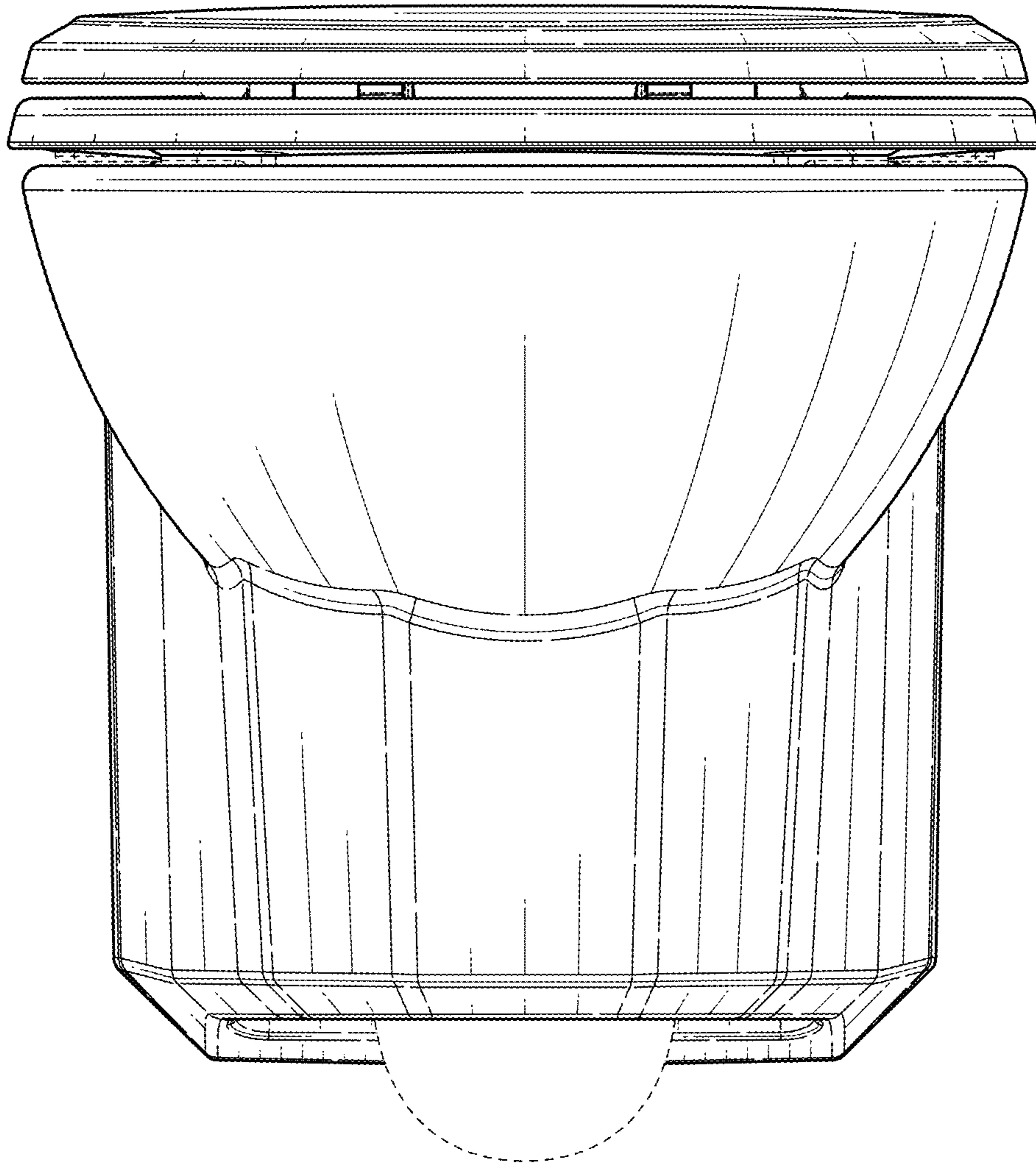


FIG. 2

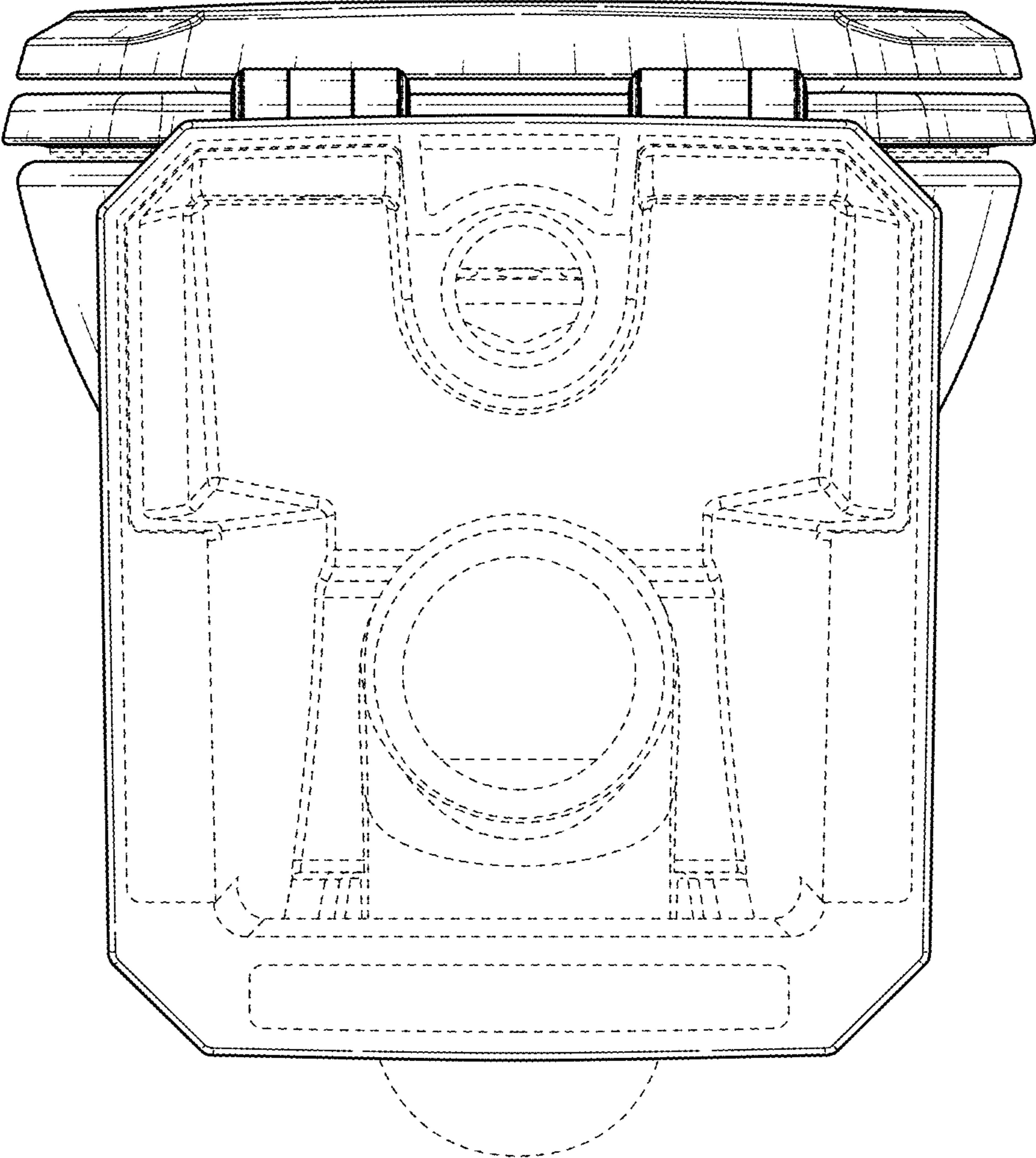


FIG. 3

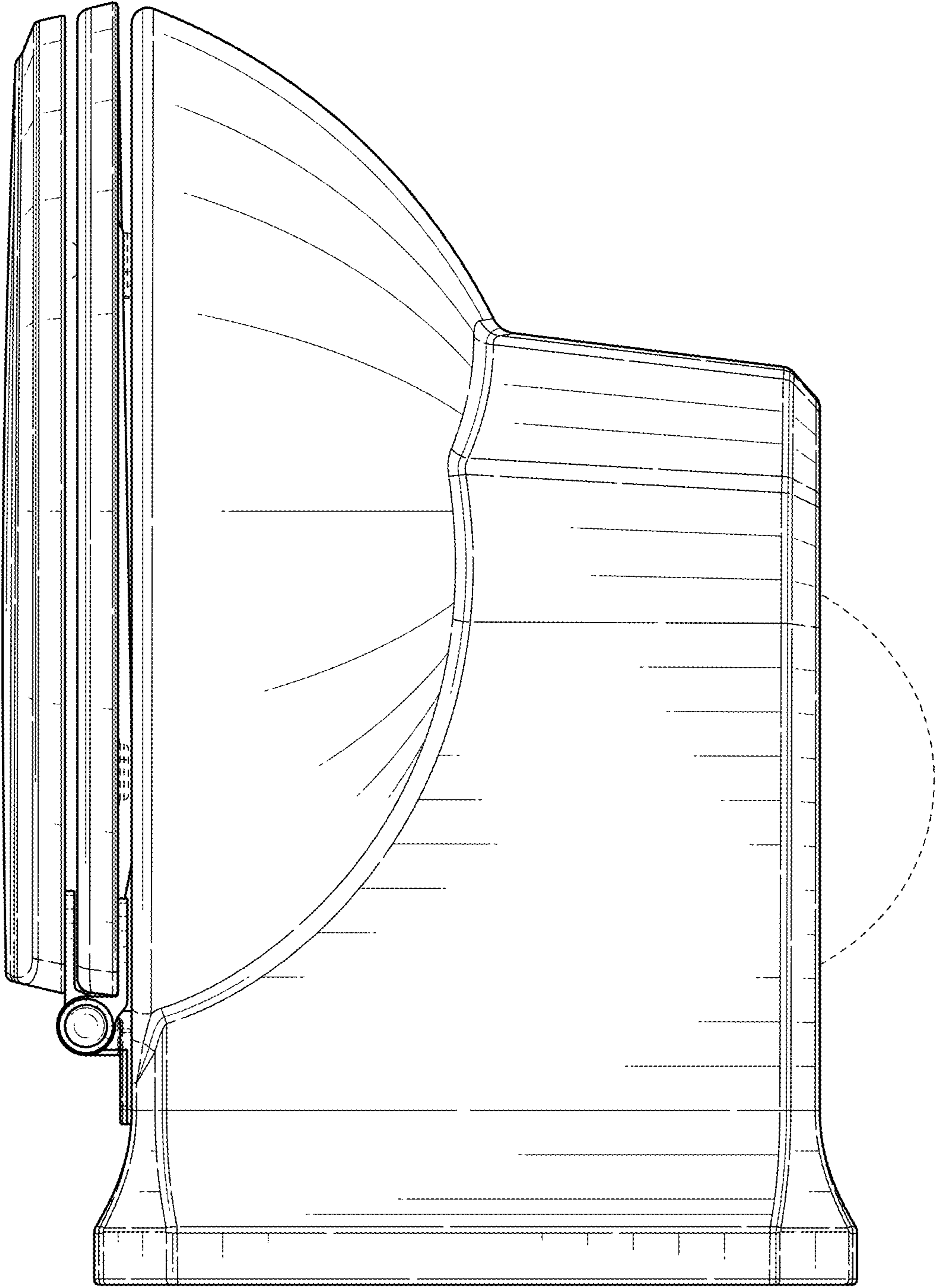


FIG. 4

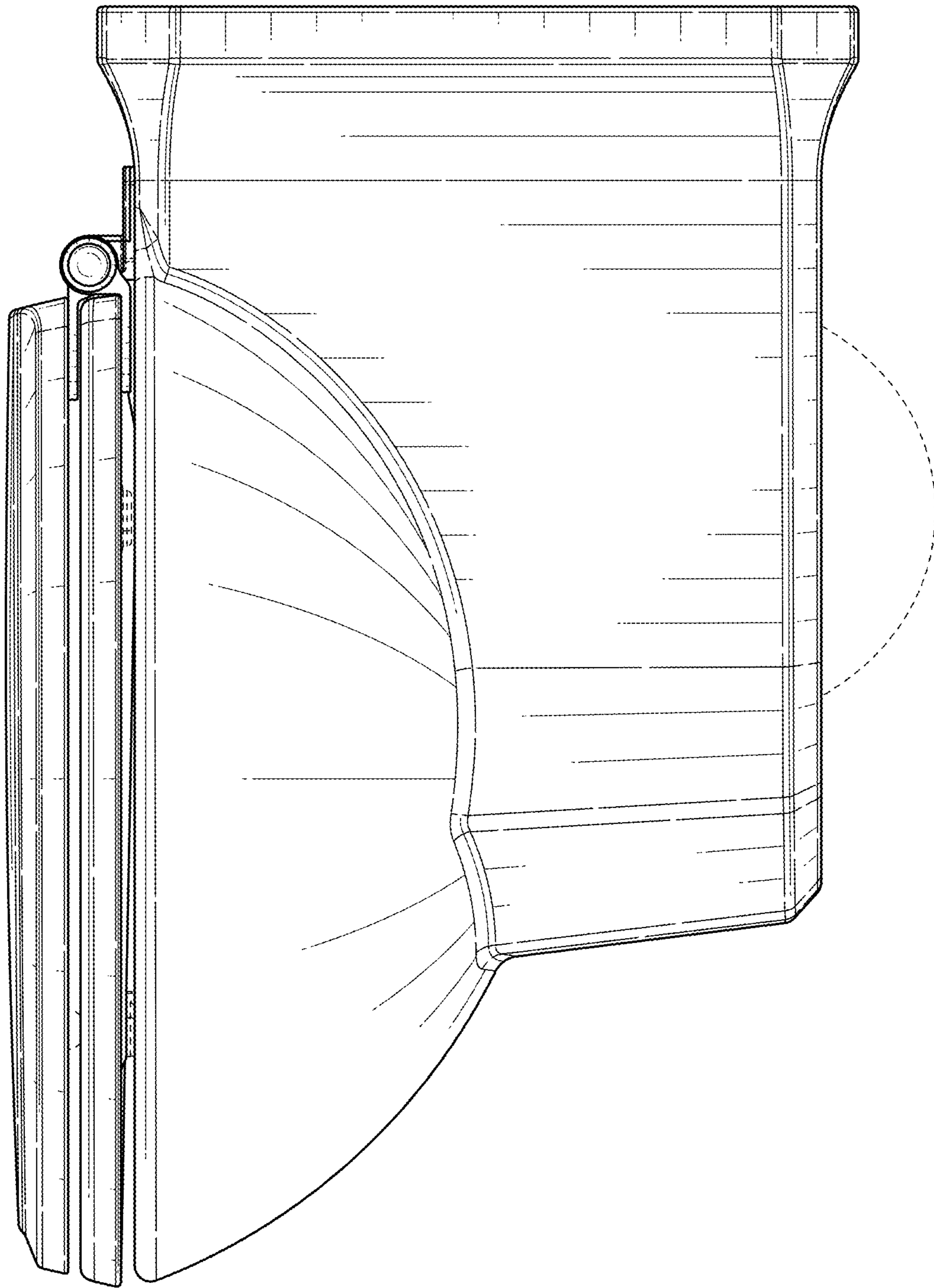


FIG. 5

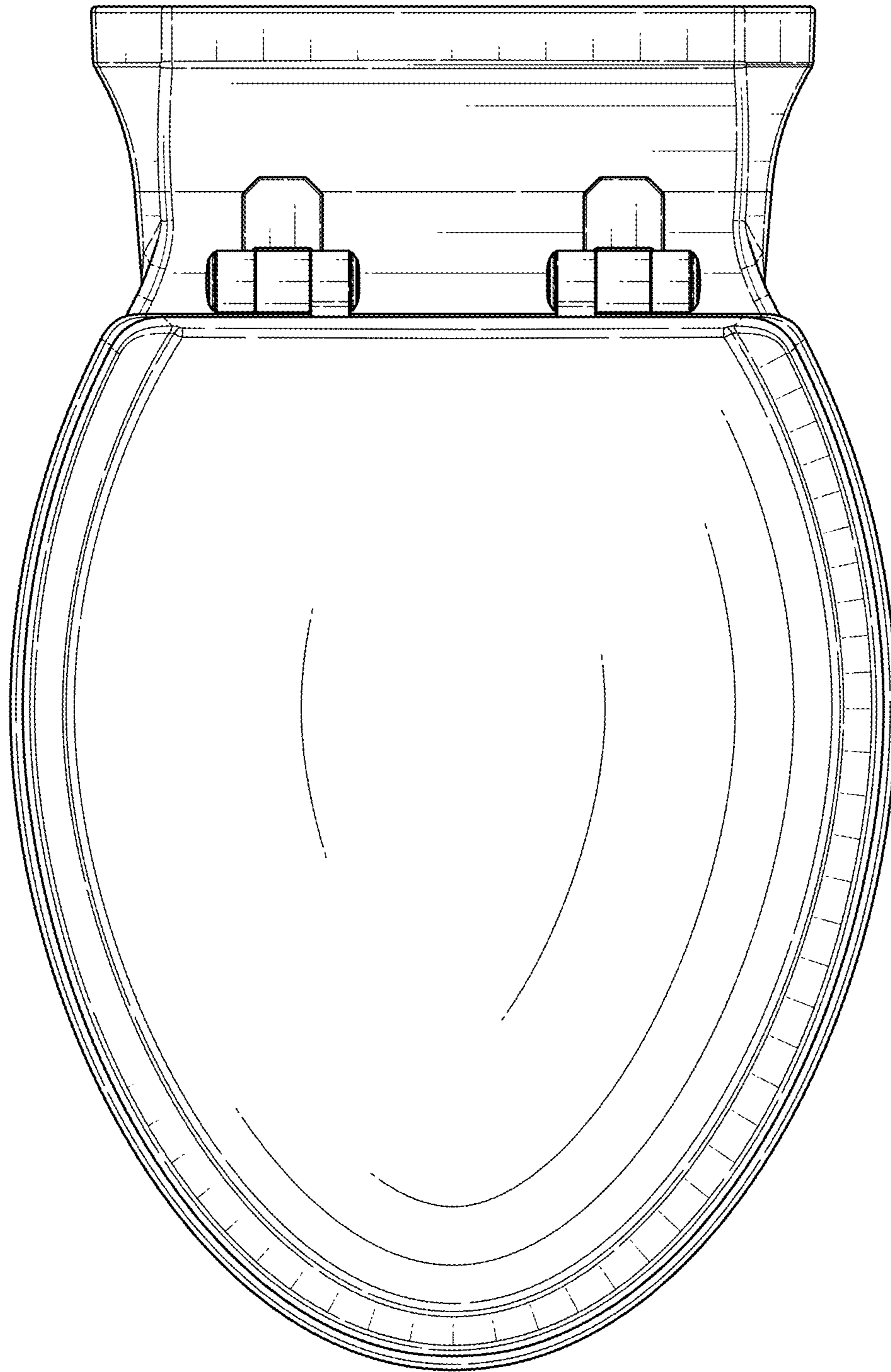


FIG. 6

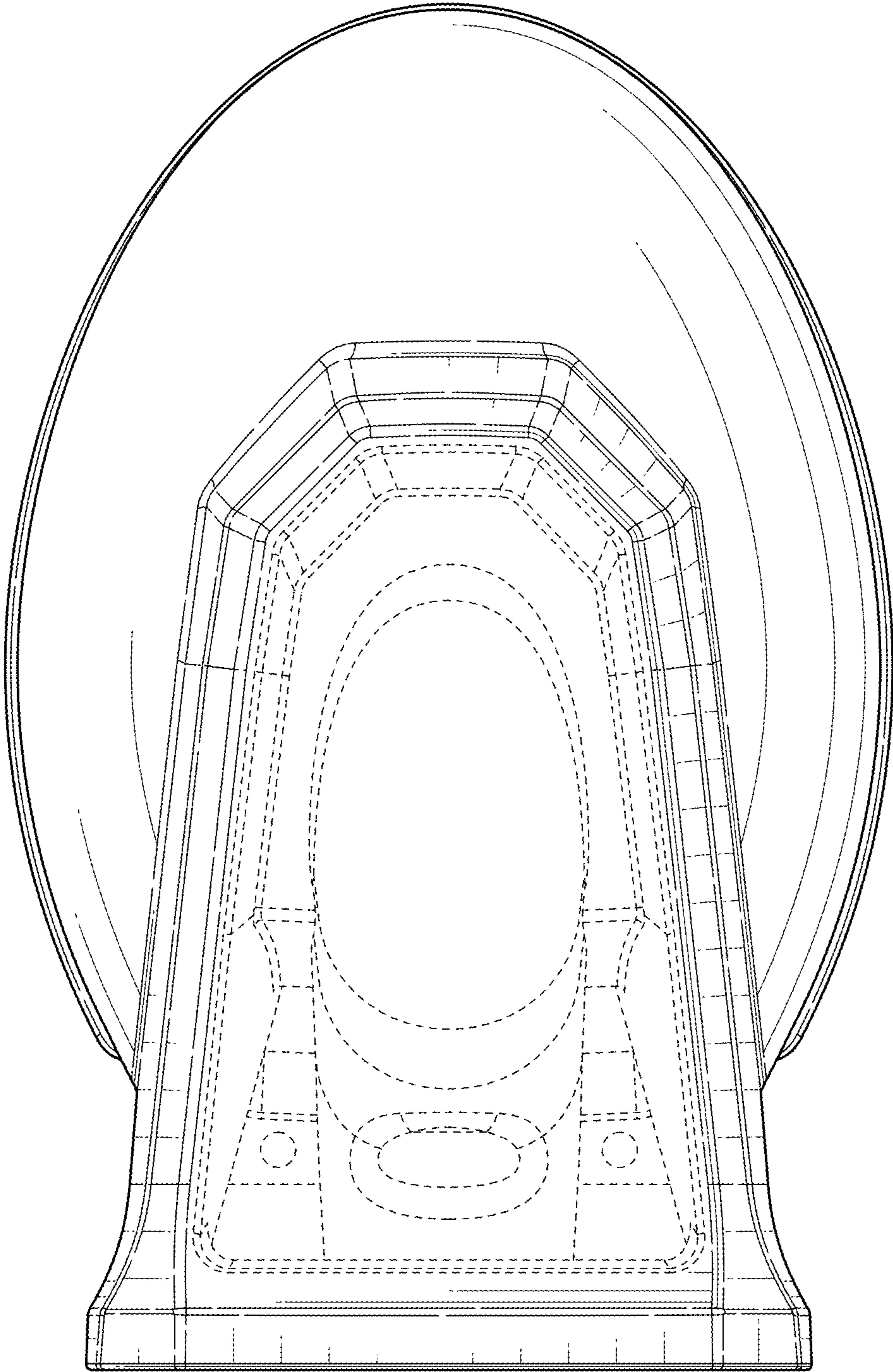


FIG. 7