



US00D931425S

(12) **United States Design Patent**
Nitch

(10) **Patent No.:** **US D931,425 S**

(45) **Date of Patent:** **** Sep. 21, 2021**

(54) **DOWNSPOUT**

(71) Applicant: **GUTTER SHUTTER, LLC**, Seymour, CT (US)

(72) Inventor: **Stephen J Nitch**, Cary, IL (US)

(73) Assignee: **GUTTER SHUTTER, LLC**, Seymour, CT (US)

(**) Term: **15 Years**

(21) Appl. No.: **29/668,063**

(22) Filed: **Oct. 26, 2018**

(51) **LOC (13) Cl.** **23-01**

(52) **U.S. Cl.**
USPC **D23/267**

(58) **Field of Classification Search**
USPC D7/409; D23/261, 267, 327, 354, 385, D23/386, 387, 388, 389, 392, 393, 397, D23/403, 407, 415; D6/703; D8/400; D25/48.3

CPC .. F23M 7/04; F24F 12/00; F24F 13/00; F24F 13/0227; F24F 13/0236; E04D 13/08; E04D 13/064; E04D 13/076

See application file for complete search history.

(56) **References Cited**

U.S. PATENT DOCUMENTS

- 1,383,547 A * 7/1921 Kosalik E04D 13/08 210/314
- 2,878,486 A * 3/1959 Bartlett A61F 5/4556 4/144.4
- 3,465,885 A * 9/1969 Trump E04D 13/08 210/447
- D354,552 S * 1/1995 Weber D23/261
- D417,501 S * 12/1999 Newman D23/415

- D658,549 S * 5/2012 Neumann D12/106
- D726,903 S * 4/2015 Beyers D24/122
- D732,147 S * 6/2015 French D23/267
- D780,894 S * 3/2017 French D23/267
- D868,862 S * 12/2019 Yesnick D15/150
- 2017/0350131 A1* 12/2017 Ayala E04D 13/08
- 2019/0284811 A1* 9/2019 Pockett E04D 13/0645

OTHER PUBLICATIONS

YouTube—Raindrop Gutter Guard Systems, Wide Mouth Outlet Installation, Jan. 30, 2017, [site visited Mar. 25, 2020], Available on the Internet URL https://www.youtube.com/watch?time_continue=273&v=UFTRAhBB4kQ&feature=emb_title (Year: 2017).*

(Continued)

Primary Examiner — Karen S Acker

Assistant Examiner — Steven B Reinholdt, Jr.

(74) *Attorney, Agent, or Firm* — Perman & Green, LLP

(57) **CLAIM**

The ornamental design for a downspout, as shown and described.

DESCRIPTION

FIG. 1 is a top front perspective view of a downspout showing my new design.

FIG. 2 is a front view thereof.

FIG. 3 is a right side view thereof.

FIG. 4 is a left side view thereof.

FIG. 5 is a back side view thereof.

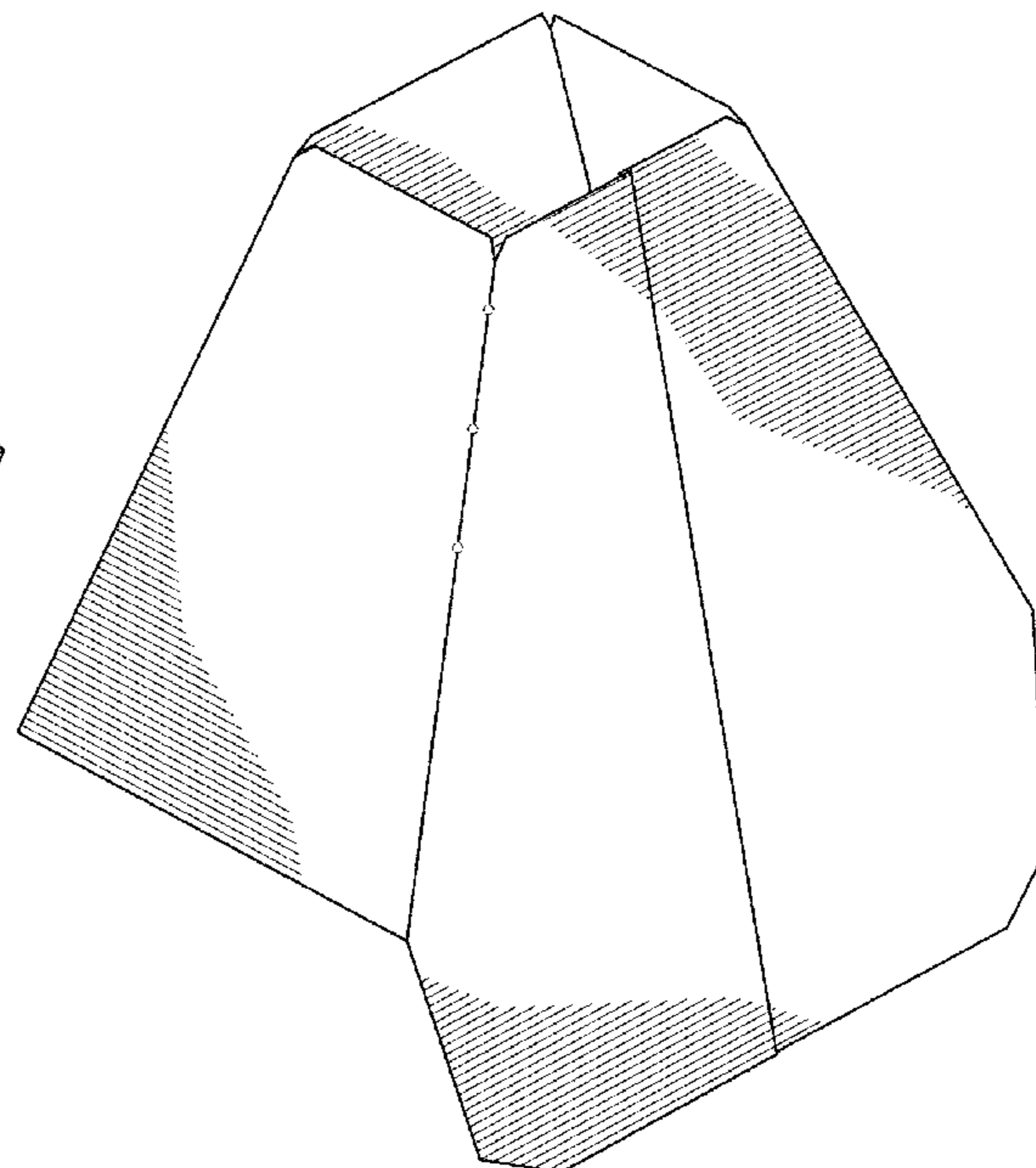
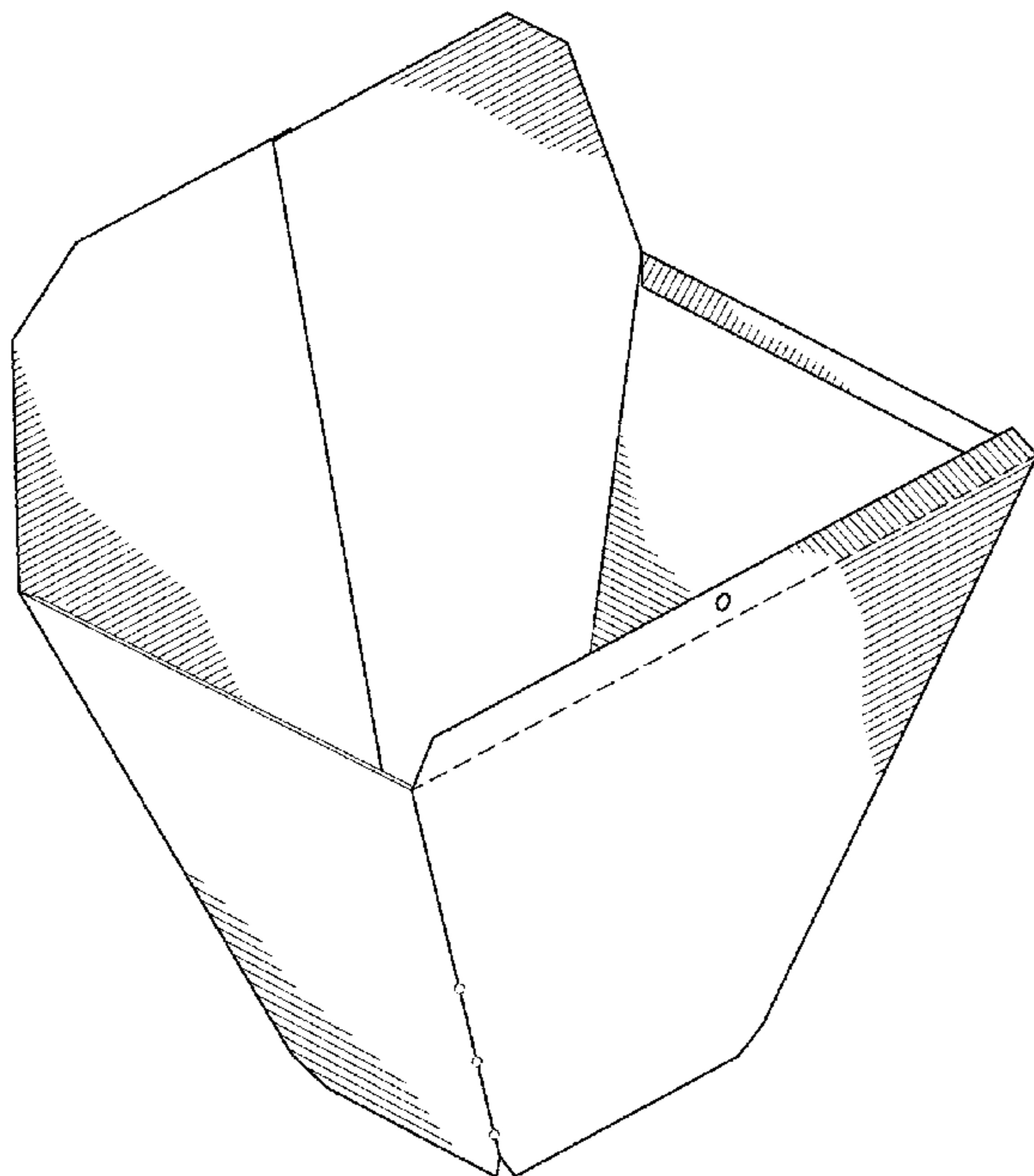
FIG. 6 is a top view thereof.

FIG. 7 is a bottom view thereof; and,

FIG. 8 is a bottom back perspective view thereof.

The horizontal broken line in FIGS. 1 and 2 depicts a fold line that forms no part of the claimed design. The circular broken lines along the edges in FIGS. 1-8 depict portions of the downspout that form no part of the claimed design.

1 Claim, 7 Drawing Sheets



(56)

References Cited

OTHER PUBLICATIONS

YouTube—Aquabarrel, BigMouth Gutter Outlet, Aug. 25, 2016, [site visited Mar. 25, 2020], Available on the Internet URL <https://www.youtube.com/watch?v=LknlQ5FQWQ> (Year: 2016).*

Aqua Barrel website, Wide Mouth, Publication date unknown, [site visited Mar. 25, 2020], Available on the Internet URL https://www.aquabarrel.com/wide-mouth-downspout-outlet-c-33_191/wide-mouth-downspout-outlet-5k-white-p-1000166.html (Year: 2020).*

YouTube—Raindrop Gutter Guard Systems, Dec. 18, 2019, [site visited Mar. 25, 2020], Available on the Internet URL <https://www.youtube.com/watch?v=3GWX6pEReel> (Year: 2019).*

* cited by examiner

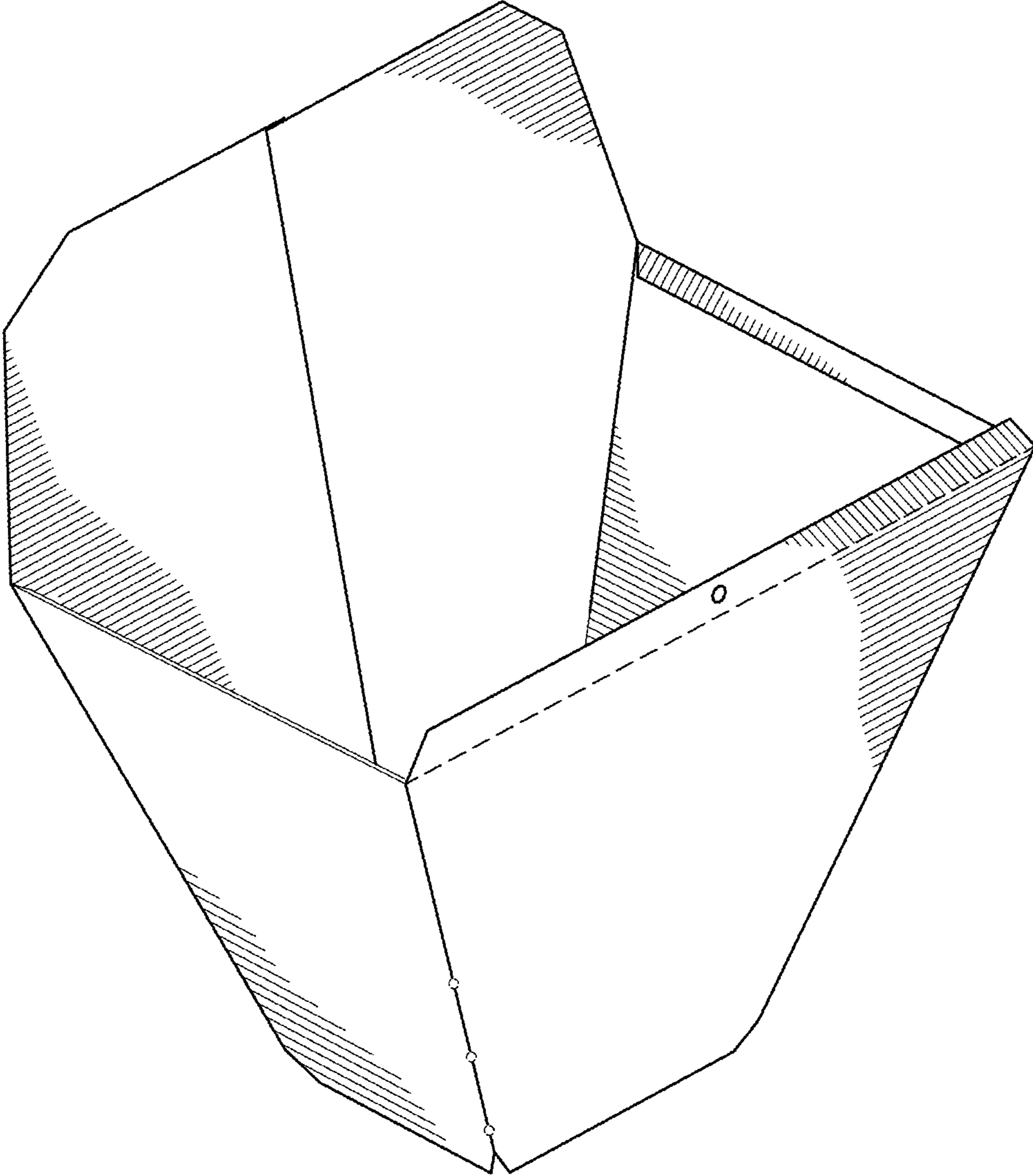


FIG. 1

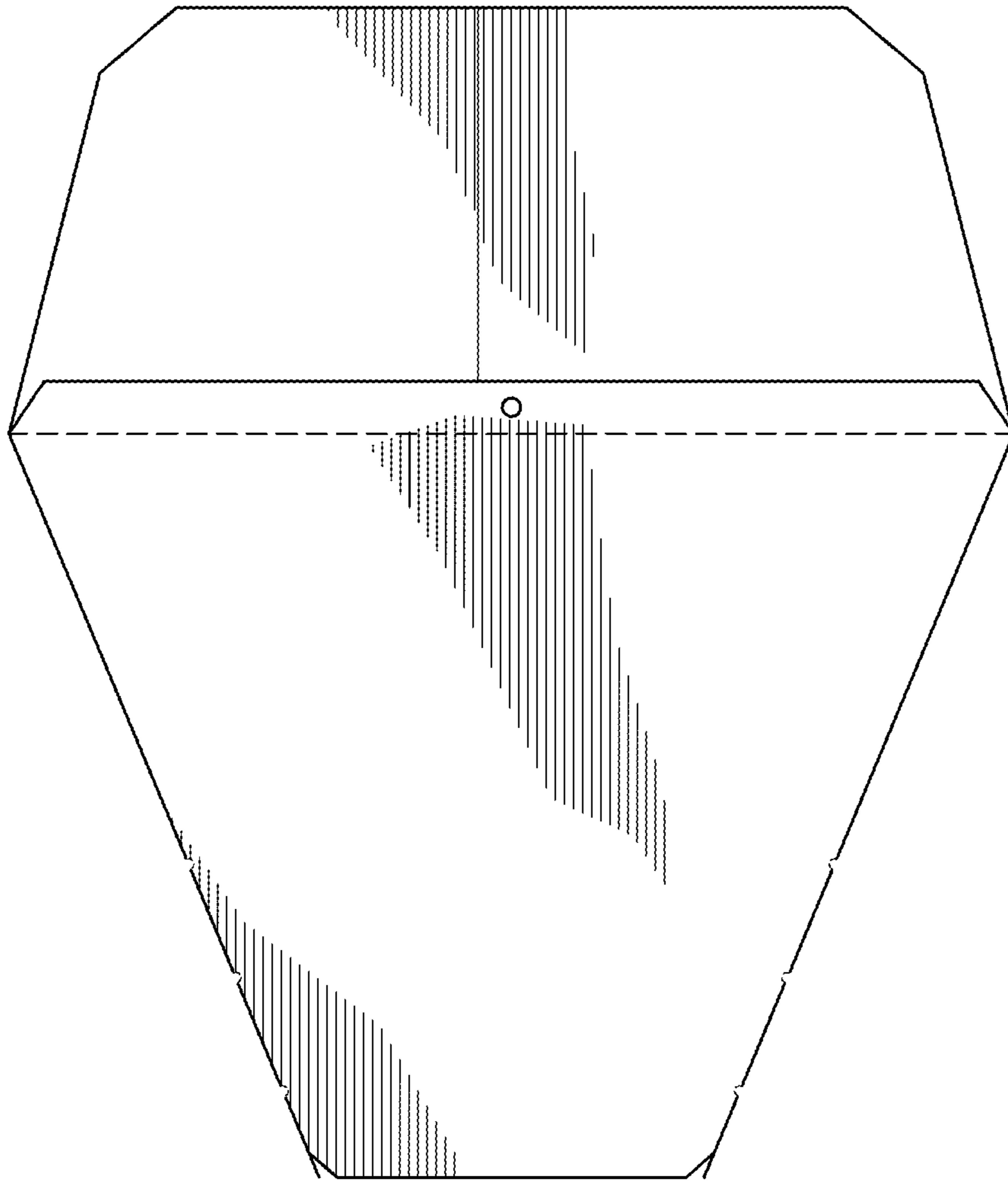


FIG.2

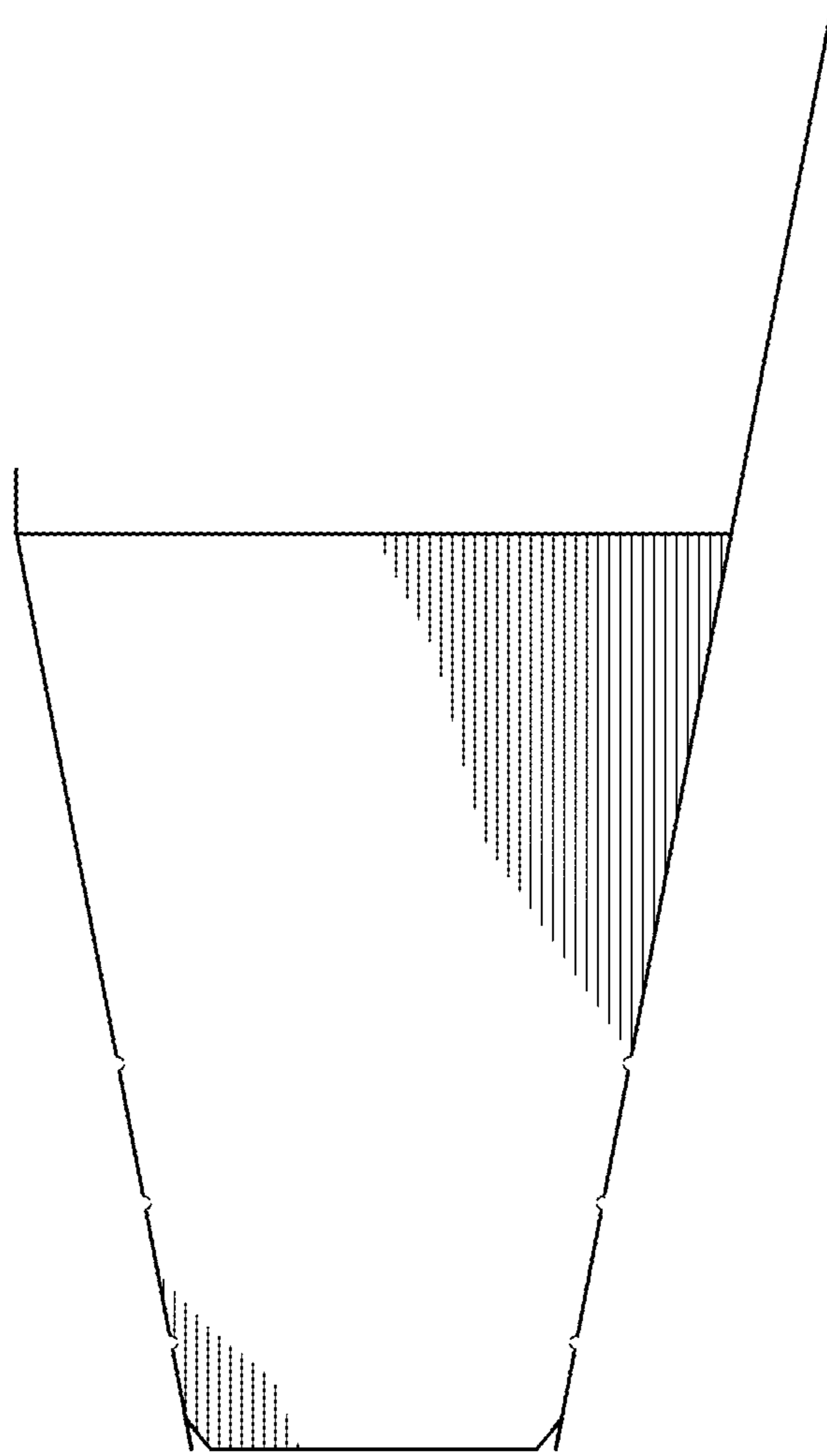


FIG.3

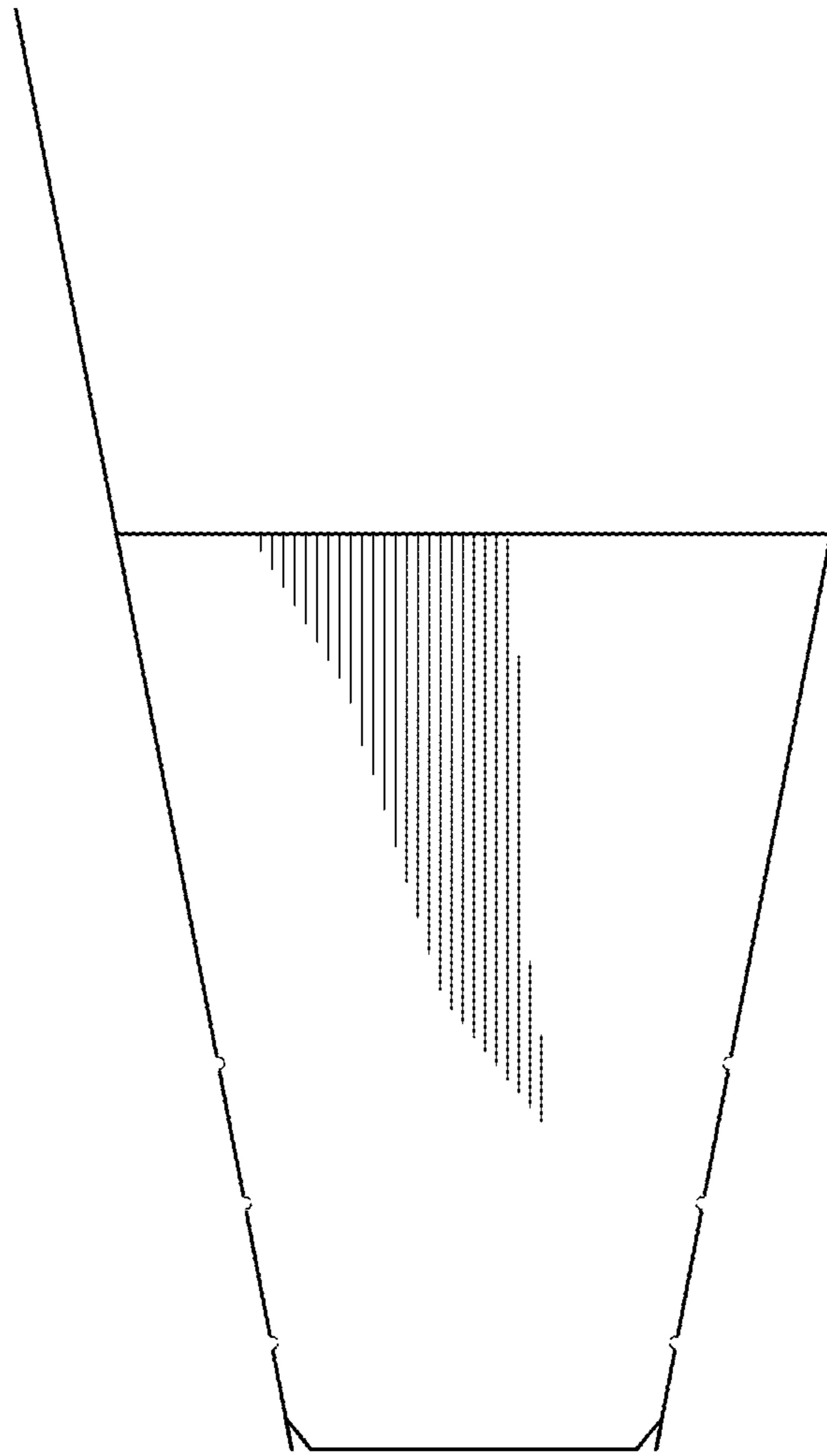


FIG.4

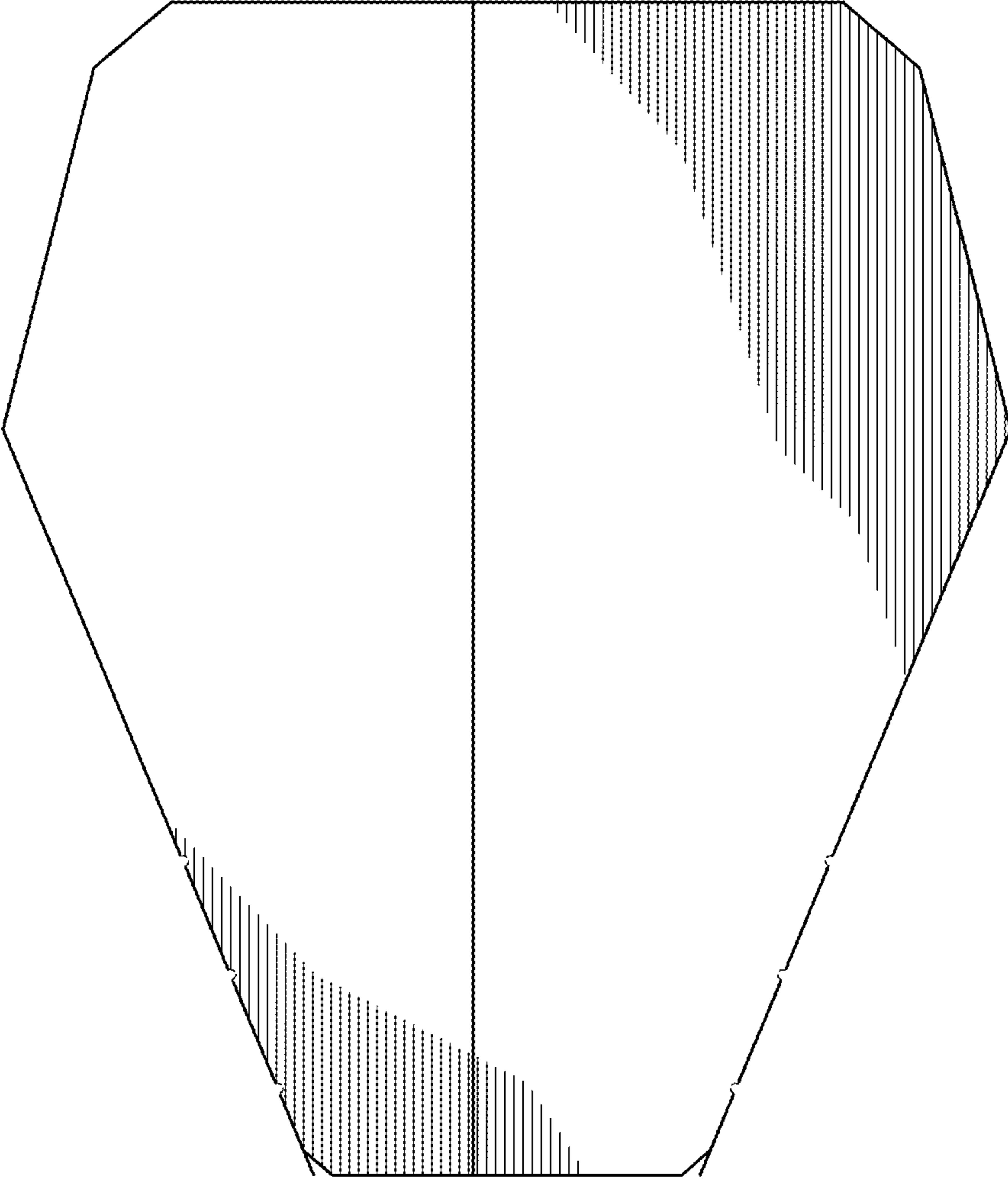


FIG.5

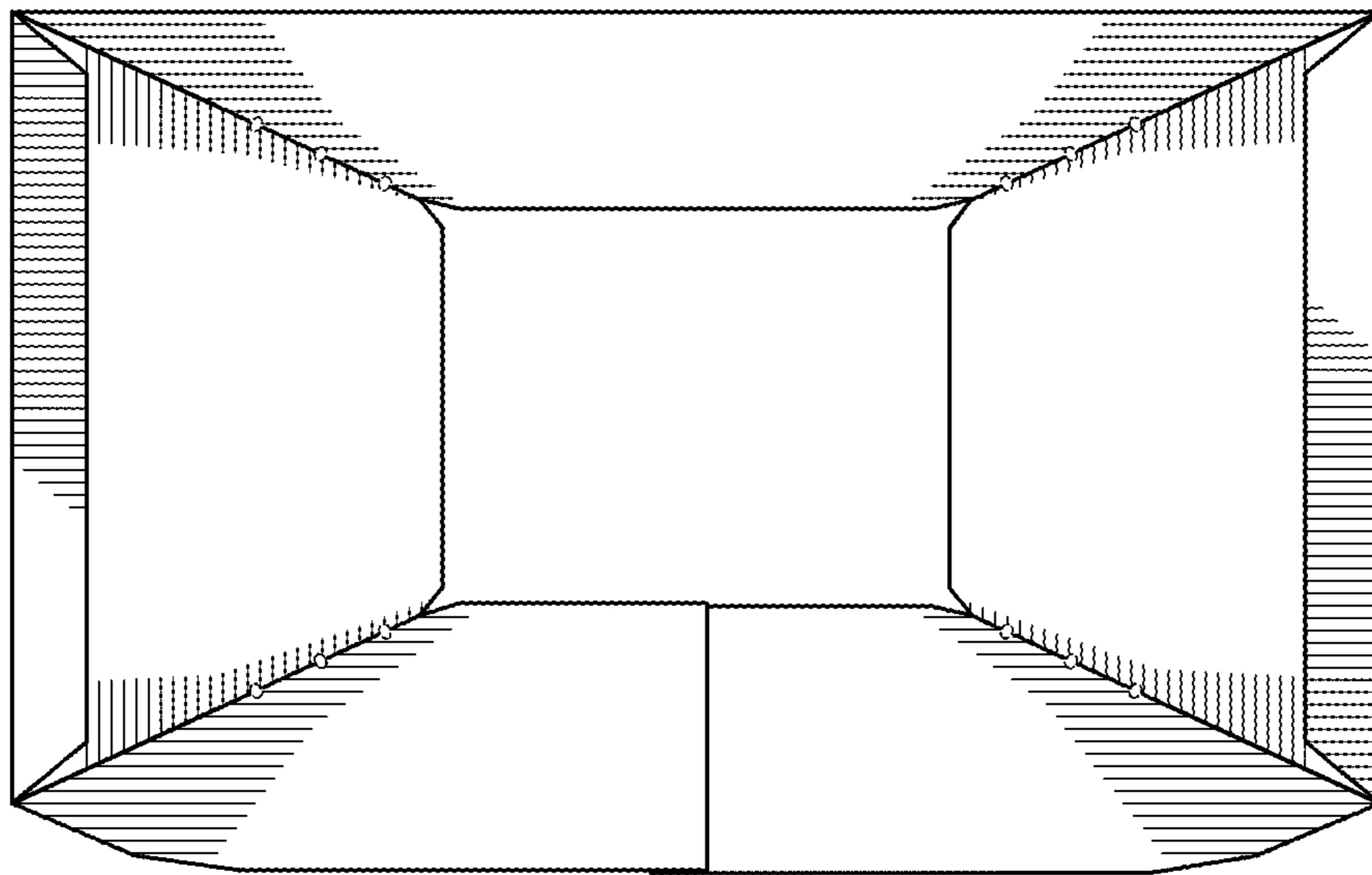


FIG. 6

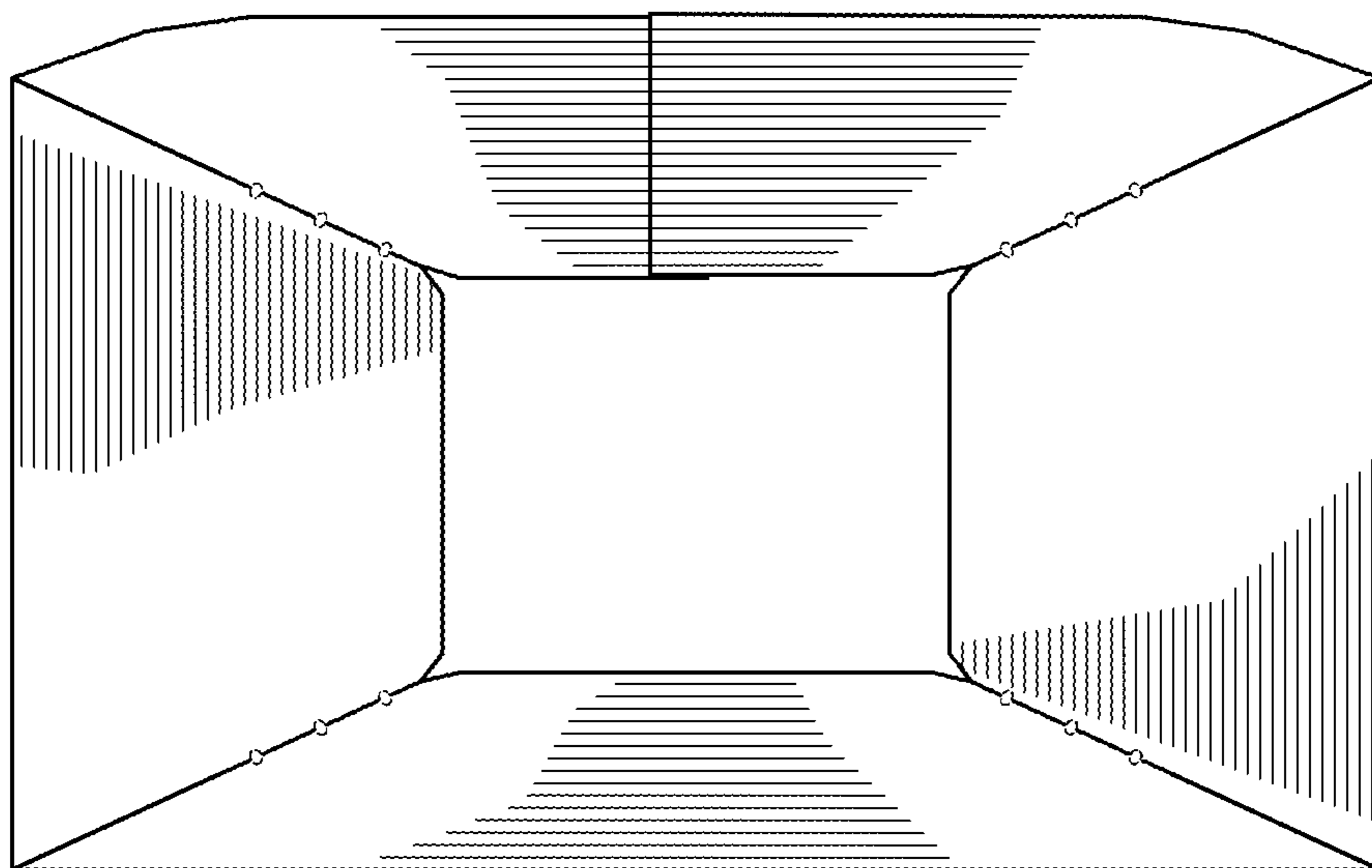


FIG. 7

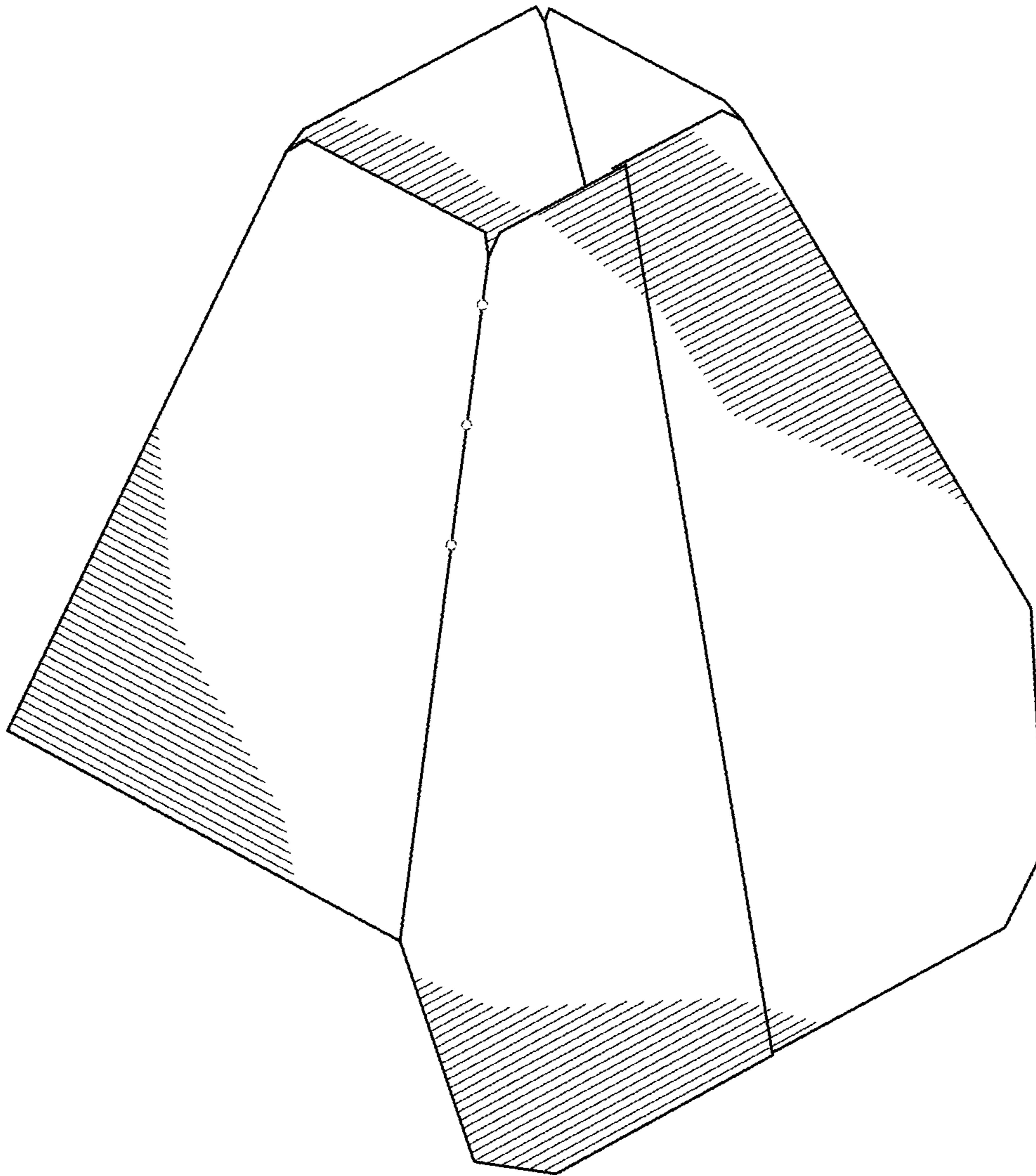


FIG.8