



US00D931423S

(12) **United States Design Patent** (10) **Patent No.:** **US D931,423 S**
Ikushima (45) **Date of Patent:** **** Sep. 21, 2021**

(54) **ADAPTER FOR PRECISION FLUID DISPENSER TUBE**

(71) Applicant: **MUSASHI ENGINEERING, INC.**,
Tokyo (JP)

(72) Inventor: **Kazumasa Ikushima**, Tokyo (JP)

(73) Assignee: **MUSASHI ENGINEERING, INC.**,
Tokyo (JP)

(**) Term: **15 Years**

(21) Appl. No.: **29/716,990**

(22) Filed: **Dec. 13, 2019**

Related U.S. Application Data

(62) Division of application No. 35/504,684, filed on Sep. 27, 2017 (U.S. filing date under 35 U.S.C. 384), and having an international filing date of Sep. 27, 2017, now Pat. No. Des. 873,388.

(30) **Foreign Application Priority Data**

Mar. 28, 2017 (JP) 2017-006363
 Mar. 28, 2017 (JP) 2017-006364
 Mar. 28, 2017 (JP) 2017-006365

(51) **LOC (13) Cl.** **23-01**

(52) **U.S. Cl.**
USPC **D23/262; D23/259**

(58) **Field of Classification Search**
 USPC D23/207, 208, 213, 233, 249, 258-260,
 D23/262, 265; D24/127, 129, 130, 232
 CPC B60J 10/00; E01C 11/02; E01C 11/10;
 E01C 11/106; E01C 23/00; E01C 23/02
 See application file for complete search history.

(56) **References Cited**

U.S. PATENT DOCUMENTS

D243,655 S †	3/1977	Matousek	D8/354
4,655,023 A †	4/1987	Yung	E04C 5/20 248/74.4
D335,175 S †	4/1993	Sladek	D24/110
D375,786 S †	11/1996	Morris	D23/260
5,746,611 A †	5/1998	Brown	H01R 13/5213 439/135
D445,478 S †	7/2001	Reeves	D23/213
D490,103 S †	5/2004	Rangel	D19/10
D502,895 S †	3/2005	Matthies	E04C 5/20 D12/114

(Continued)

Primary Examiner — Keli L Hill

(74) *Attorney, Agent, or Firm* — Taro Yaguchi

(57) **CLAIM**

The ornamental design for adapter for precision fluid dispenser tube, as shown and described.

DESCRIPTION

FIG. 1 is a front elevation view of an adapter for precision fluid dispenser tube, showing my new design, the rear view being identical thereto;

FIG. 2 is a right side elevation view thereof, the left side view being identical thereto;

FIG. 3 is a top plan view thereof;

FIG. 4 is a bottom plan view thereof;

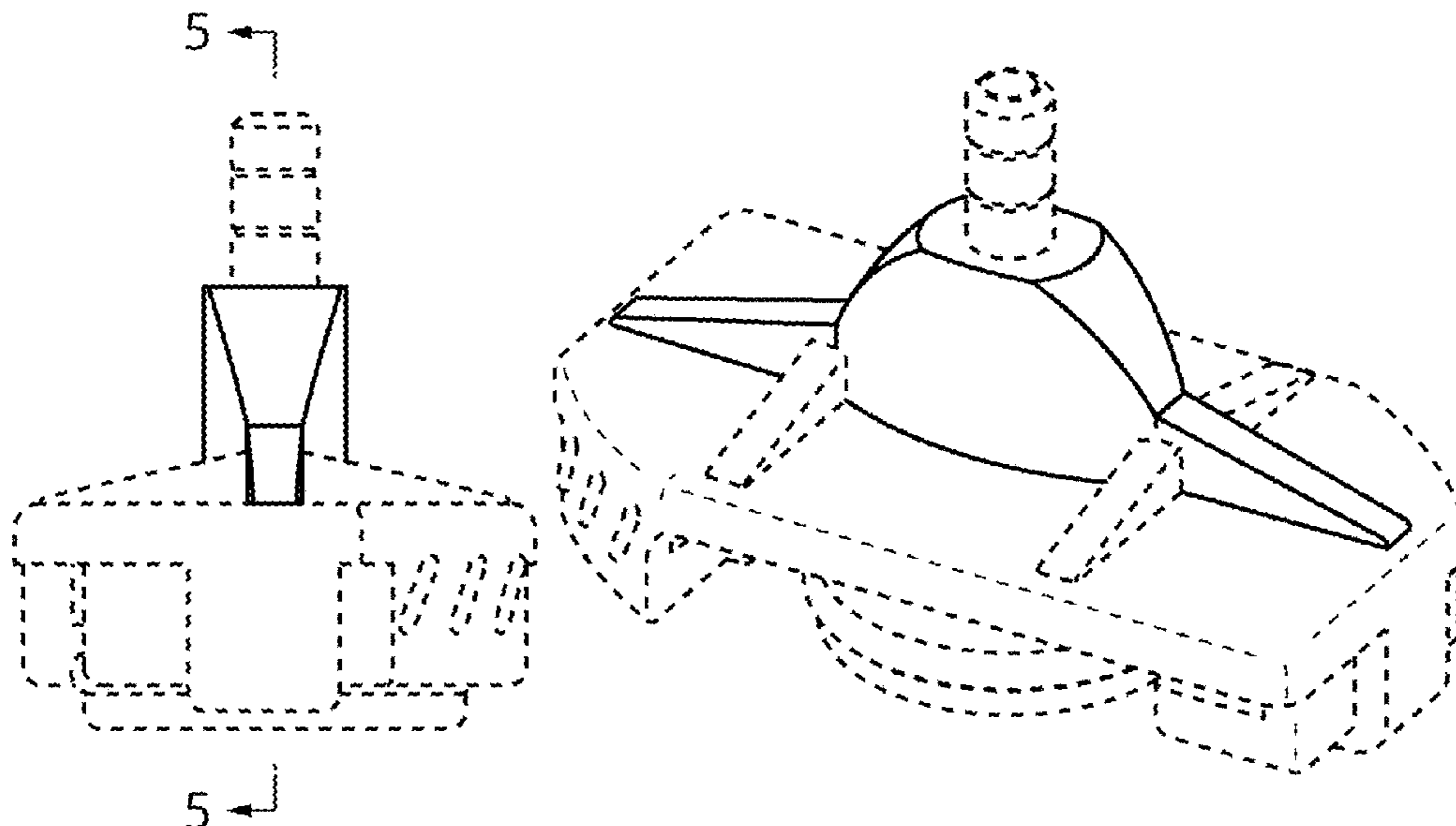
FIG. 5 is a cross-sectional view thereof, taken in the direction of line 5-5 as seen in FIG. 2;

FIG. 6 is a perspective view thereof; and,

FIG. 7 is an alternate front view thereof, shown in use.

The dot-dash broken line seen in the FIG. 5 drawing view represents the bounds of the claimed design; The broken line showing of the tube in FIG. 7 is included for the purpose of illustrating environment of the article, while all other broken lines are included for the purpose of illustrating portions of the adapter for precision fluid dispenser tube; the broken lines form no part of the claimed design.

1 Claim, 7 Drawing Sheets



(56)

References Cited

U.S. PATENT DOCUMENTS

D585,530 S	‡	1/2009	Ito	D23/259
D625,395 S	‡	10/2010	Guzzoni	D23/262
D662,572 S	‡	6/2012	Marquis-Martin	D23/259
D762,826 S	‡	8/2016	Plackner	H01R 13/5213 D23/262
D798,639 S	‡	10/2017	Halvorson, Jr.	D6/705.1
D831,237 S	‡	10/2018	Johnson	D26/1
D836,755 S	*	12/2018	Dale	D23/259
D845,387 S	‡	4/2019	Mills	D19/9
D873,388 S	*	1/2020	Ikushima	D23/262
D881,005 S	*	4/2020	Ikushima	D9/435

* cited by examiner

‡ imported from a related application

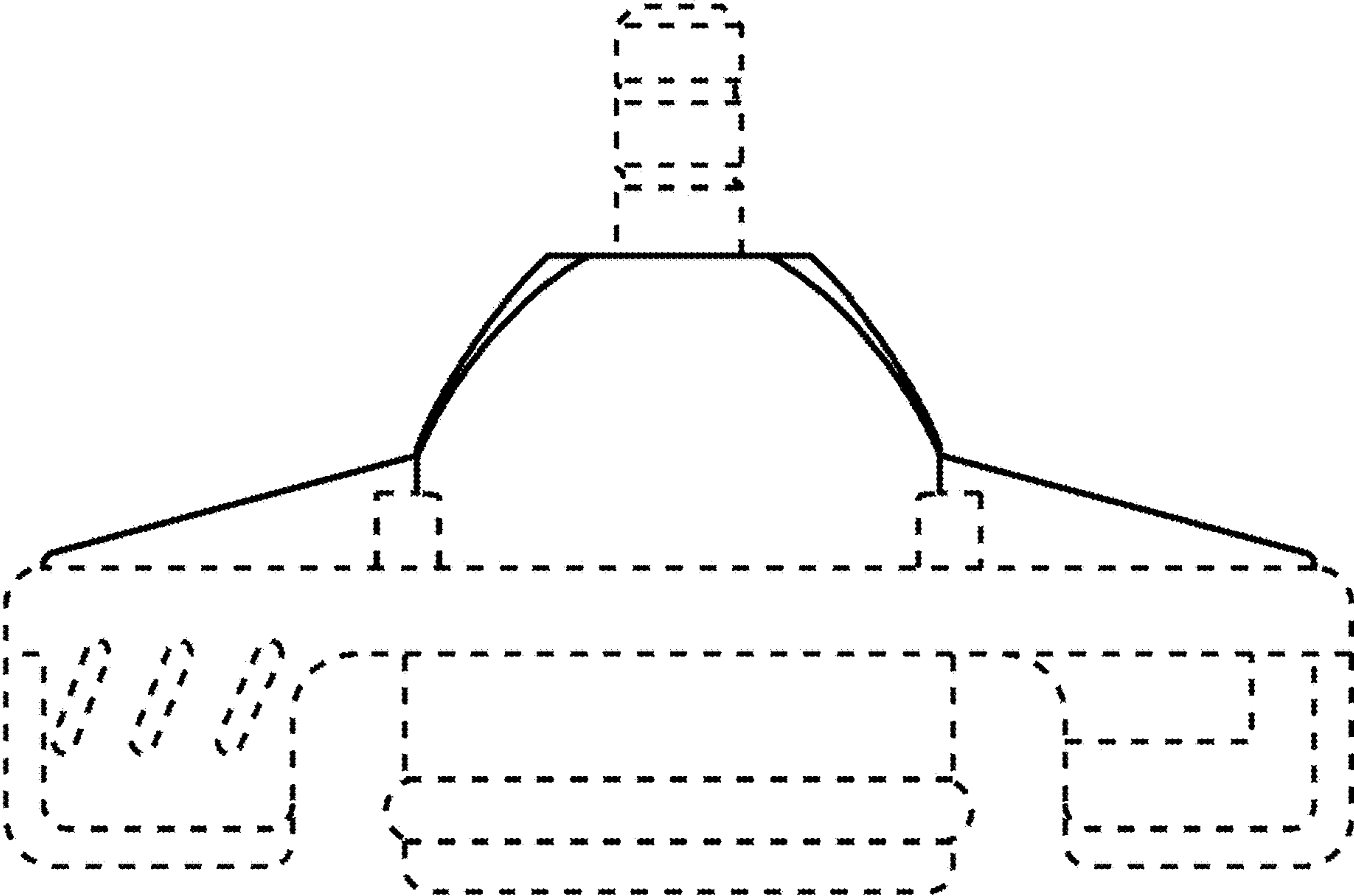


FIG.1

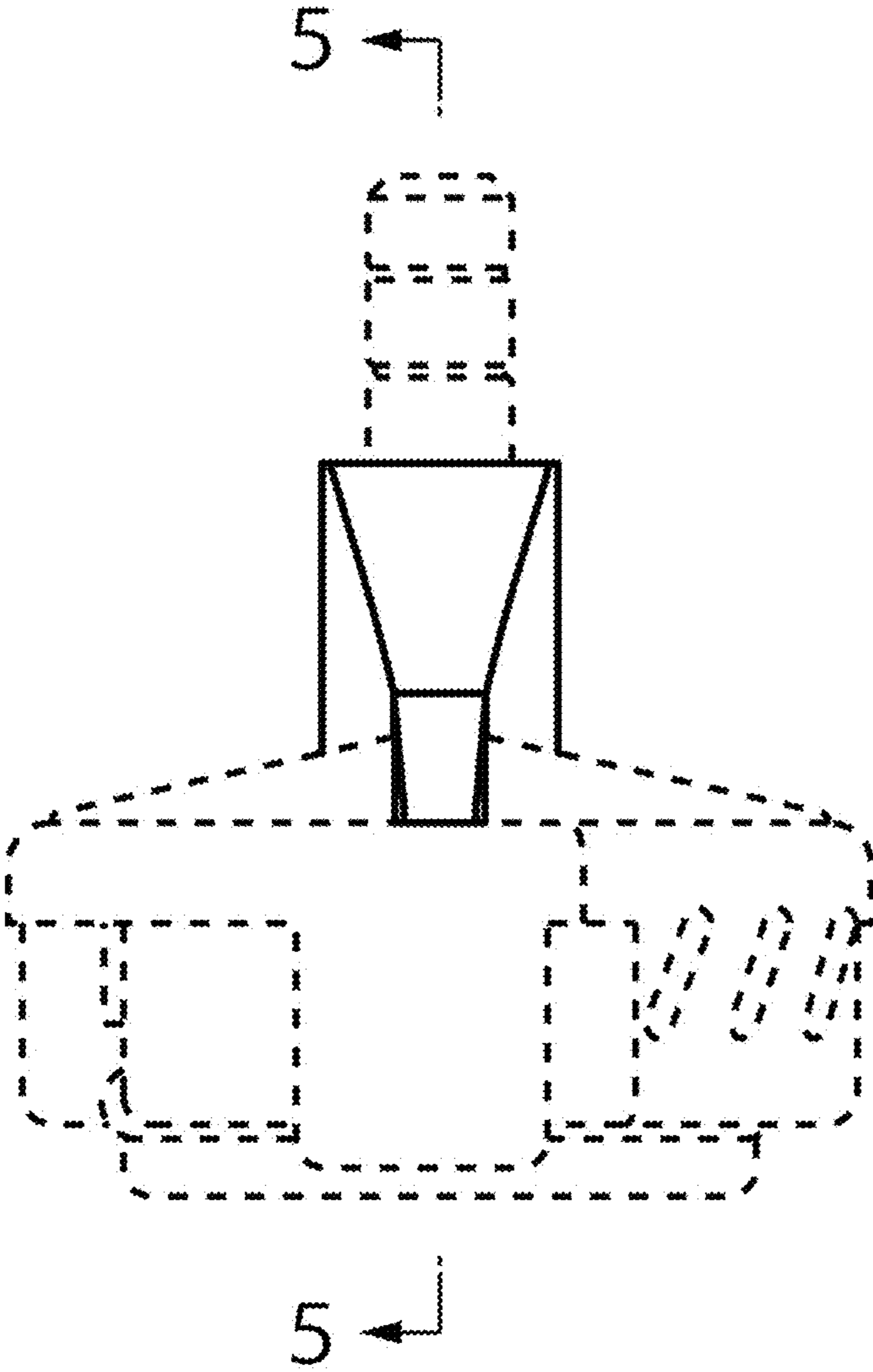


FIG.2

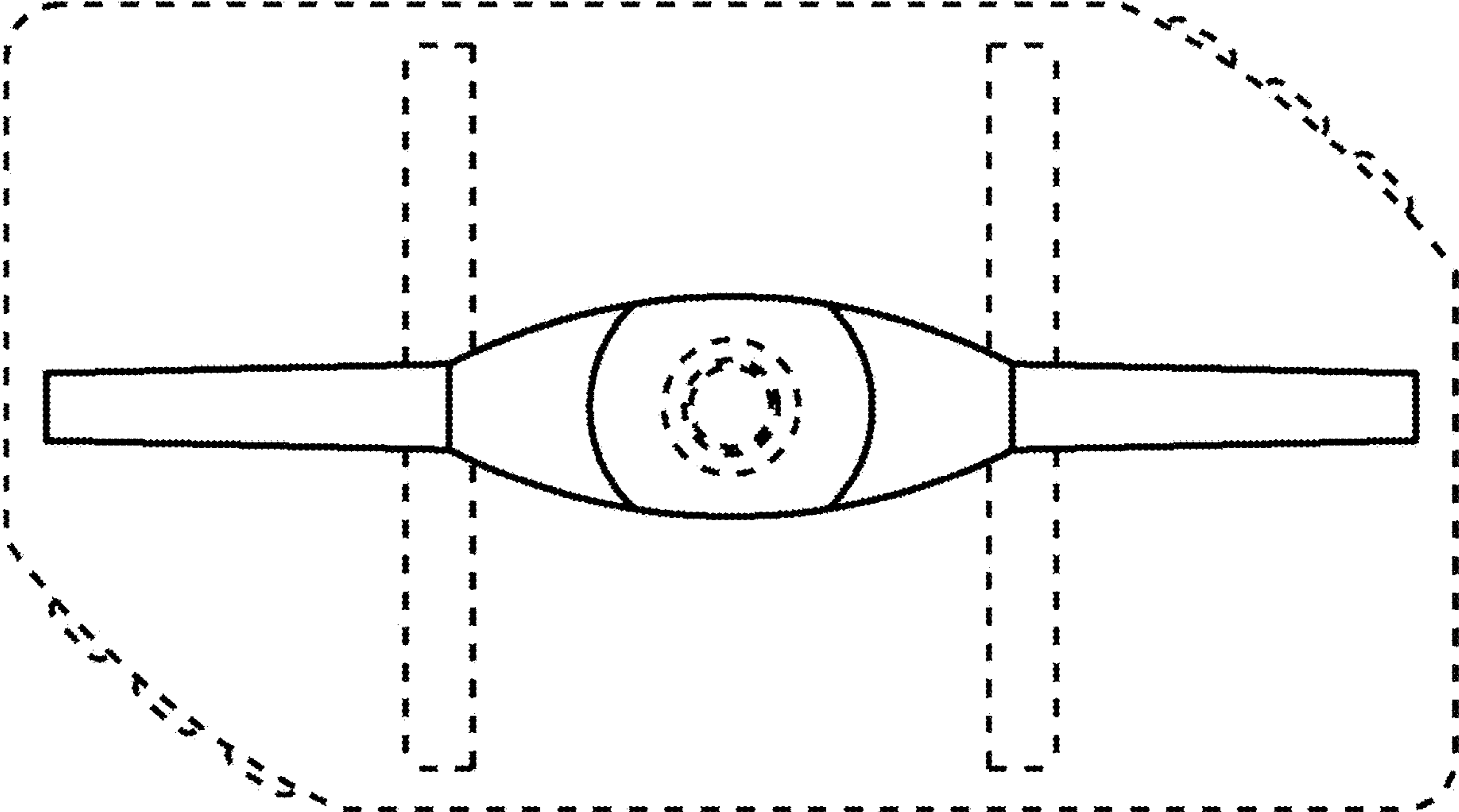


FIG.3

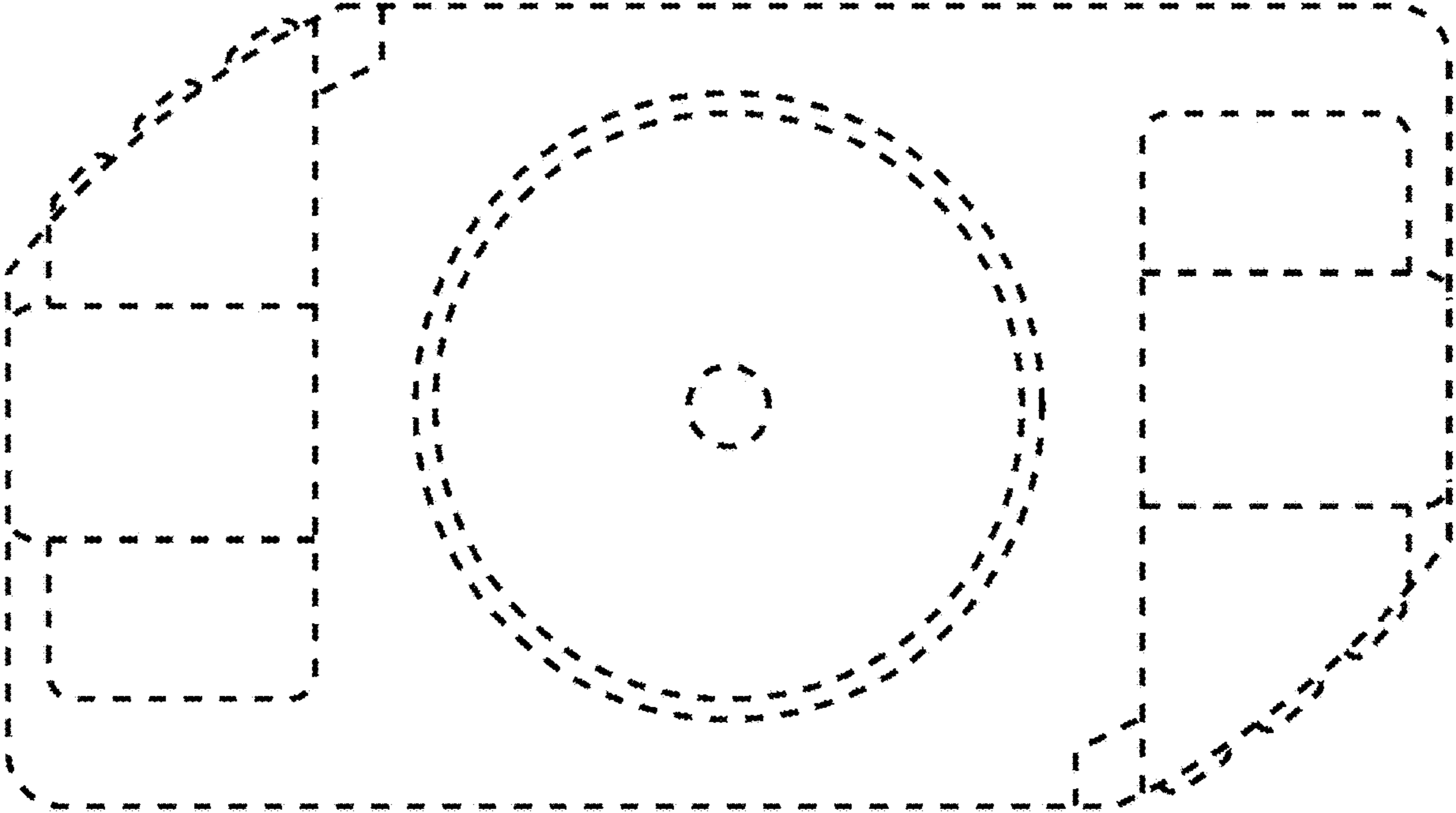


FIG.4

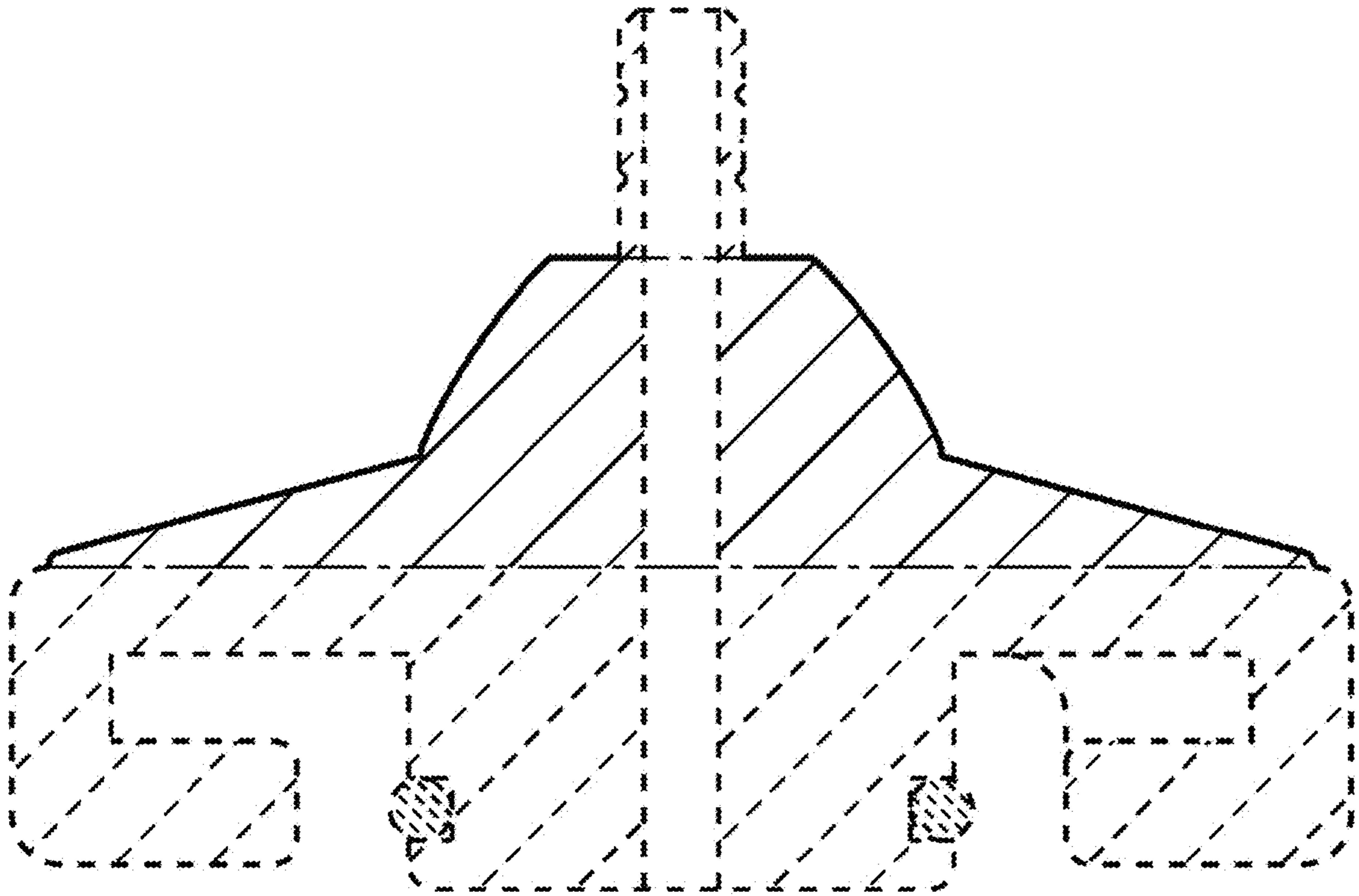


FIG.5

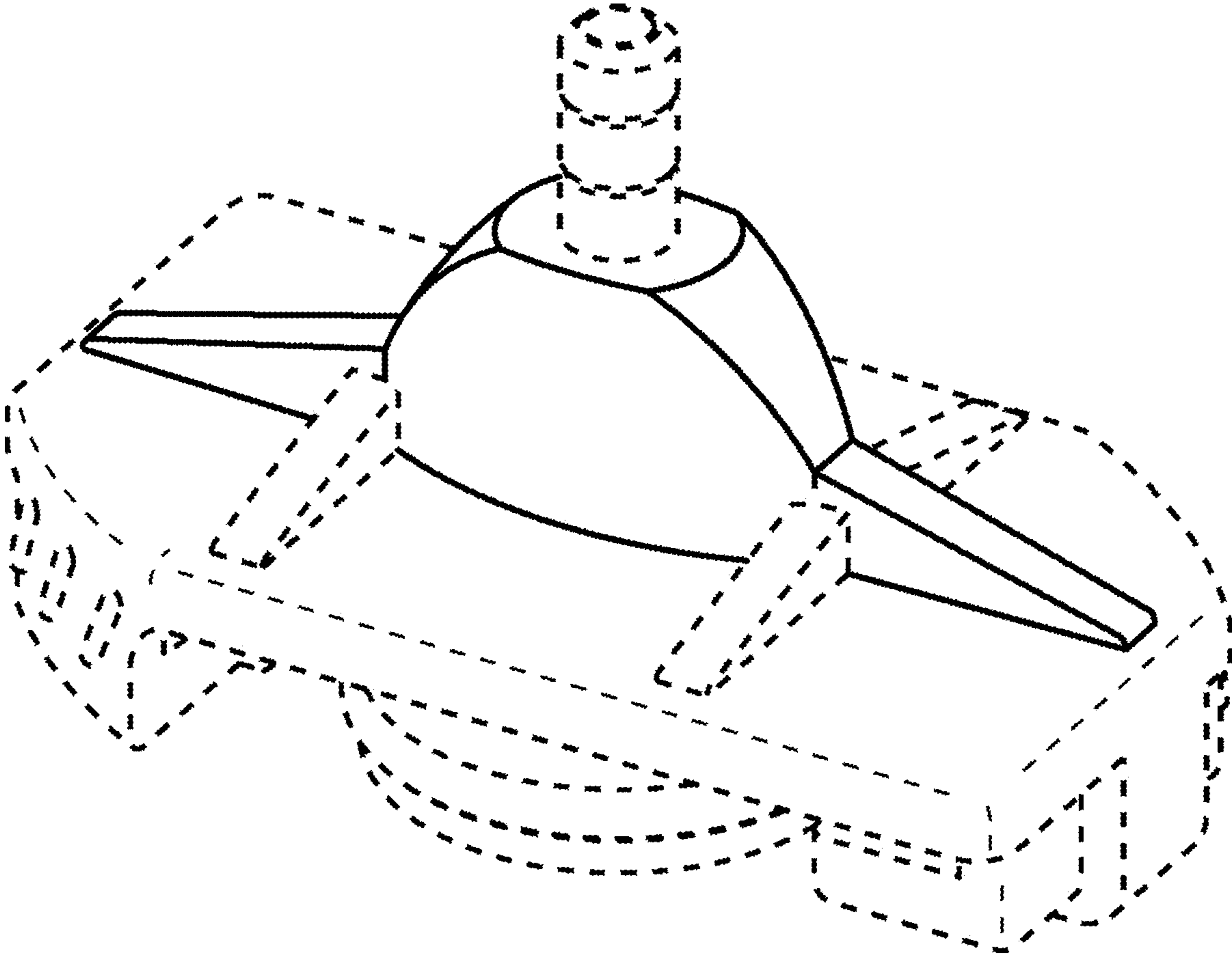


FIG.6

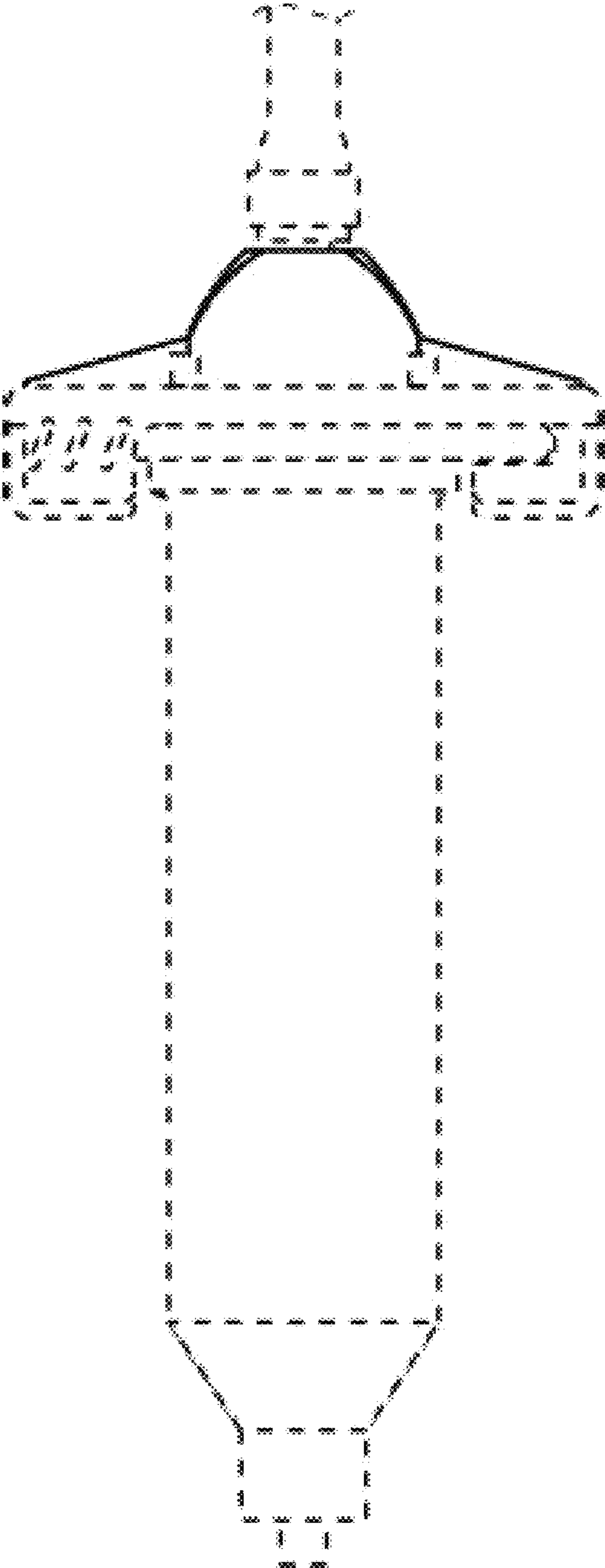


FIG.7