



US00D931422S

(12) **United States Design Patent** (10) **Patent No.:** **US D931,422 S**
Drossman et al. (45) **Date of Patent:** **** Sep. 21, 2021**

(54) **UNIVERSAL TUB DRAIN HAIR STRAINER**

(71) Applicant: **JUKA INNOVATIONS CORPORATION**, Farmingdale, NY (US)

(72) Inventors: **Andrew Drossman**, NewYork, NY (US); **Keith Francis Roberto**, NewYork, NY (US)

(73) Assignee: **JUKA INNOVATIONS CORPORATION**, Farmingdale, NY (US)

(**) Term: **15 Years**

(21) Appl. No.: **29/685,586**

(22) Filed: **Mar. 29, 2019**

(51) **LOC (13) Cl.** **23-01**

(52) **U.S. Cl.**
USPC **D23/261**

(58) **Field of Classification Search**
USPC D23/207–209, 259–261, 303, 307, 310, D23/386, 388; D6/582–583, 585, 592, D6/594; D32/54–55, 57; 4/222.1, 4/286–295, 658, 300.3, DIG. 5, DIG. 14; 137/547, 550; D7/667
CPC E04D 2013/0413; A47K 1/14
See application file for complete search history.

(56) **References Cited**

U.S. PATENT DOCUMENTS

- 4,032,455 A * 6/1977 Kale B01D 29/11 210/435
- D450,106 S * 11/2001 Herr D23/261
- D550,819 S * 9/2007 Seehoff D23/261
- D650,471 S * 12/2011 Du D23/268
- D792,562 S * 7/2017 Ali D23/261

- D794,759 S * 8/2017 Carnegie D23/261
- 9,752,306 B2 * 9/2017 Scamuffa E03C 1/264
- D803,992 S * 11/2017 Huber E03F 5/06 D23/261
- D814,611 S * 4/2018 Carnegie D23/261
- D901,240 S * 11/2020 Armistead D7/400
- 2013/0185855 A1 * 7/2013 Ali A47K 1/14 4/287
- 2017/0314244 A1 * 11/2017 Beck E03C 1/2306
- 2018/0320349 A1 * 11/2018 Schuster E03C 1/264

OTHER PUBLICATIONS

PF Waterworks PF0910-CH DrainEASY Patented, Universal Clog Preventing Bath Stopper; Amazon First Available Date May 12, 2012; Visited Online Jan. 30, 2021; https://www.amazon.com/PF-WaterWorks-PF0910-CH-DrainEASY-Preventing/dp/B008HDQJQG/ref=psdc_6808090011_t3_B01N6KQB45 (Year: 2012).*

* cited by examiner

Primary Examiner — Amy C Wierenga

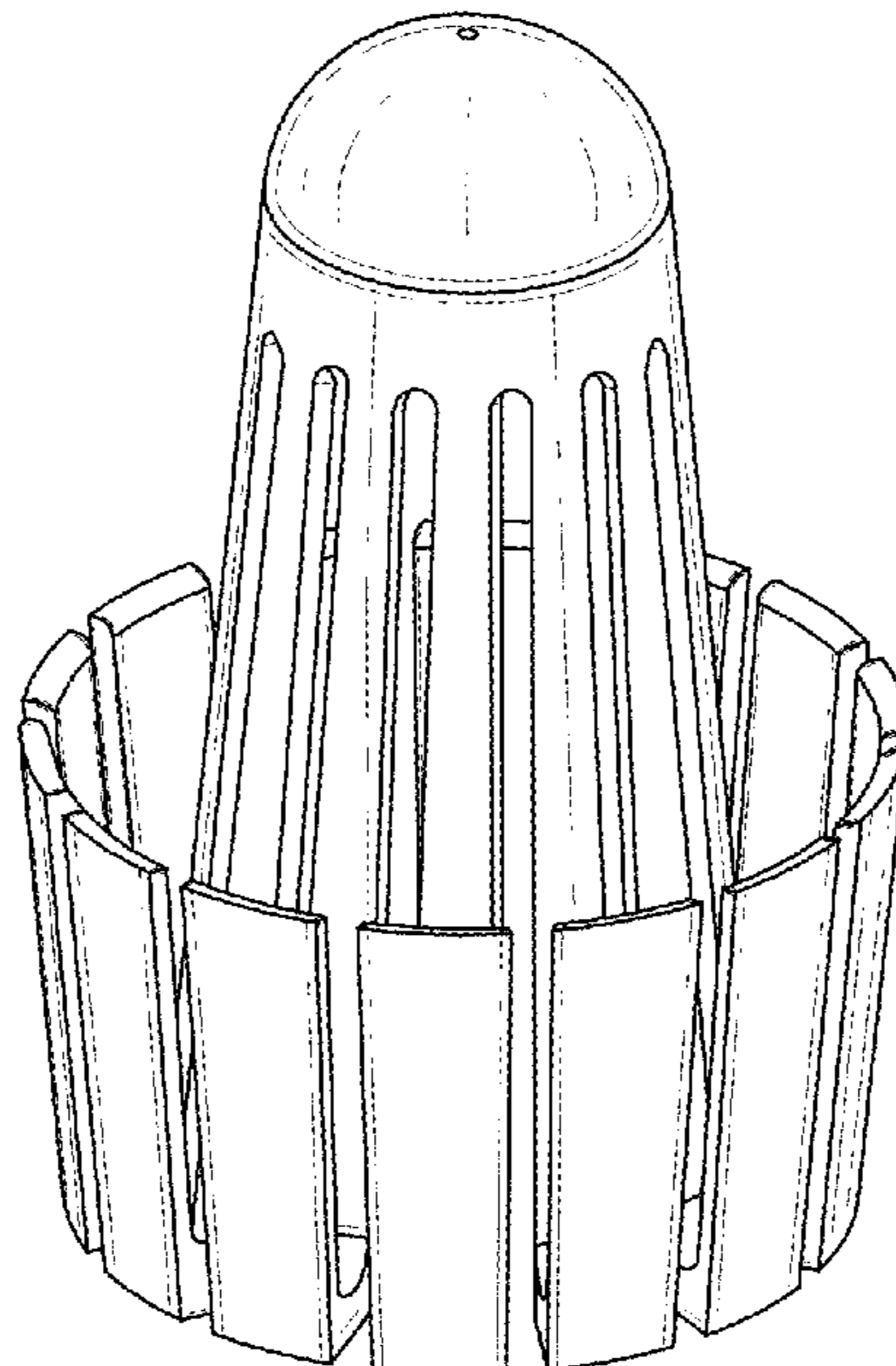
(57) **CLAIM**

The ornamental design for a universal tub drain hair strainer, as shown and described.

DESCRIPTION

FIG. 1 is a top perspective view of a universal tub drain hair strainer showing my new design; FIG. 2 is a top plan view thereof; FIG. 3 is a bottom plan view thereof; FIG. 4 is a left elevation view thereof; FIG. 5 is a right elevation view thereof; FIG. 6 is a front elevation view thereof; and, FIG. 7 is a rear elevational view thereof. The broken lines shown illustrate portions of the universal tub drain hair strainer and form no part of the claim.

1 Claim, 7 Drawing Sheets



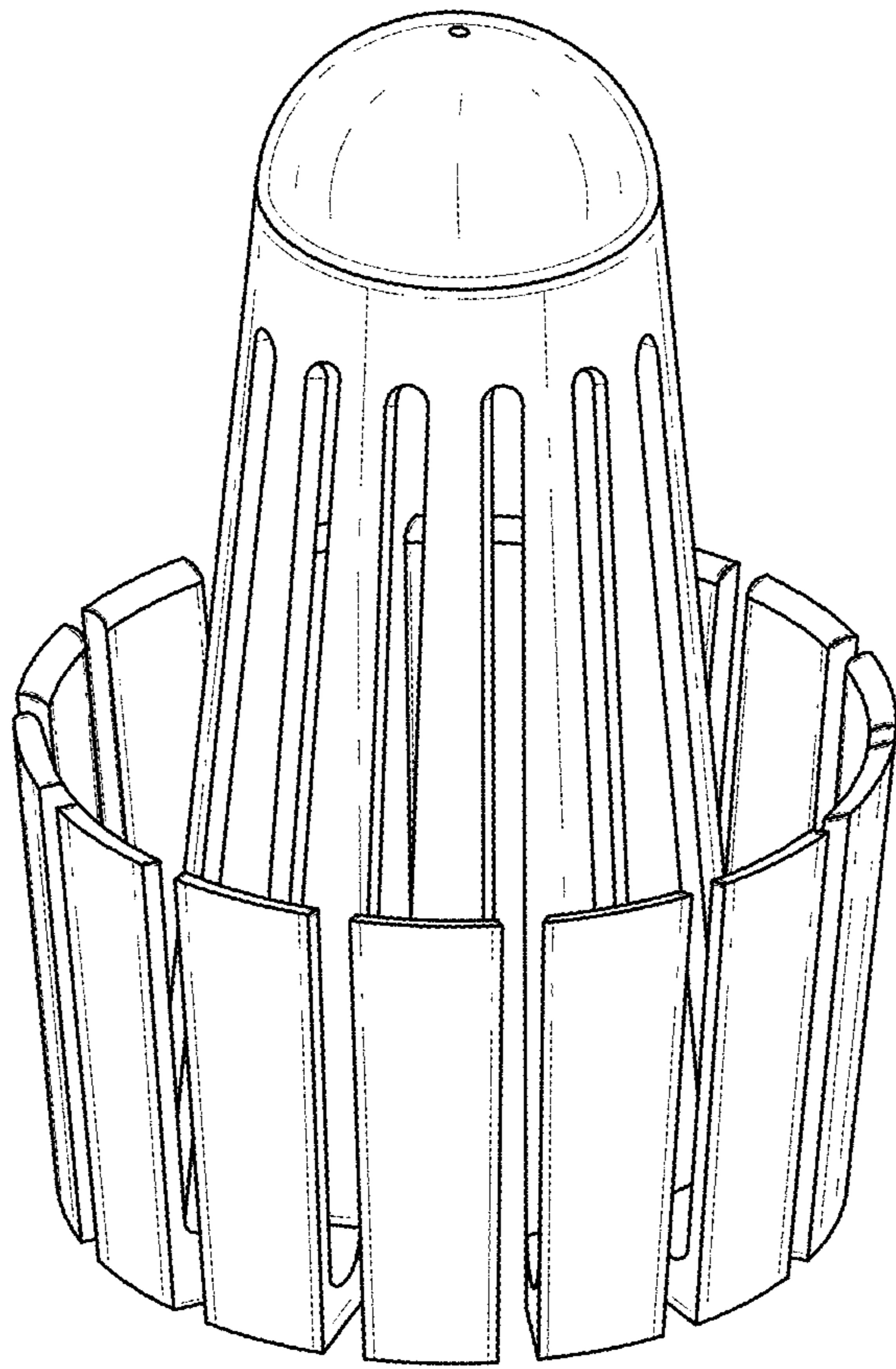


FIG. 1

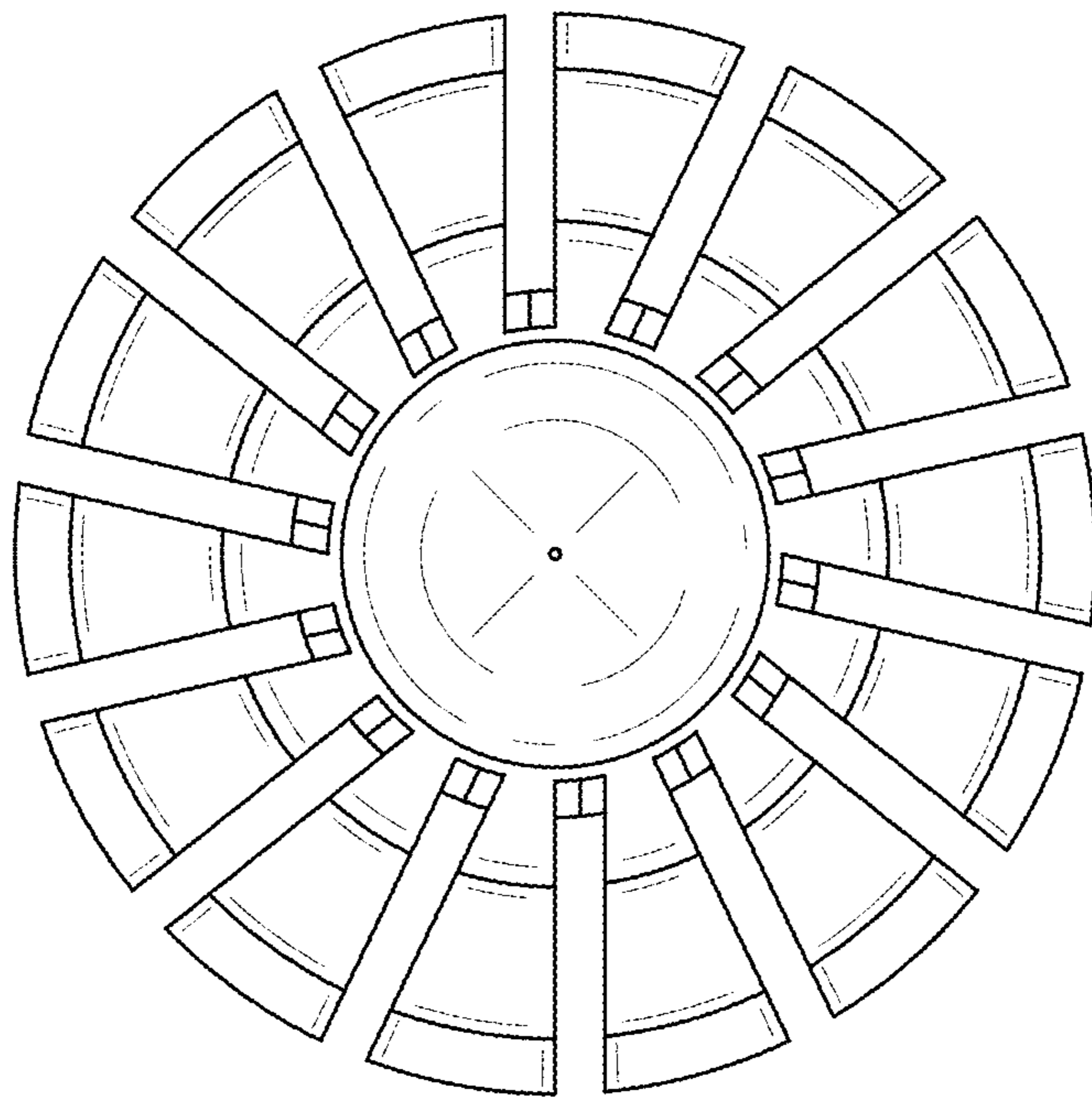


FIG. 2

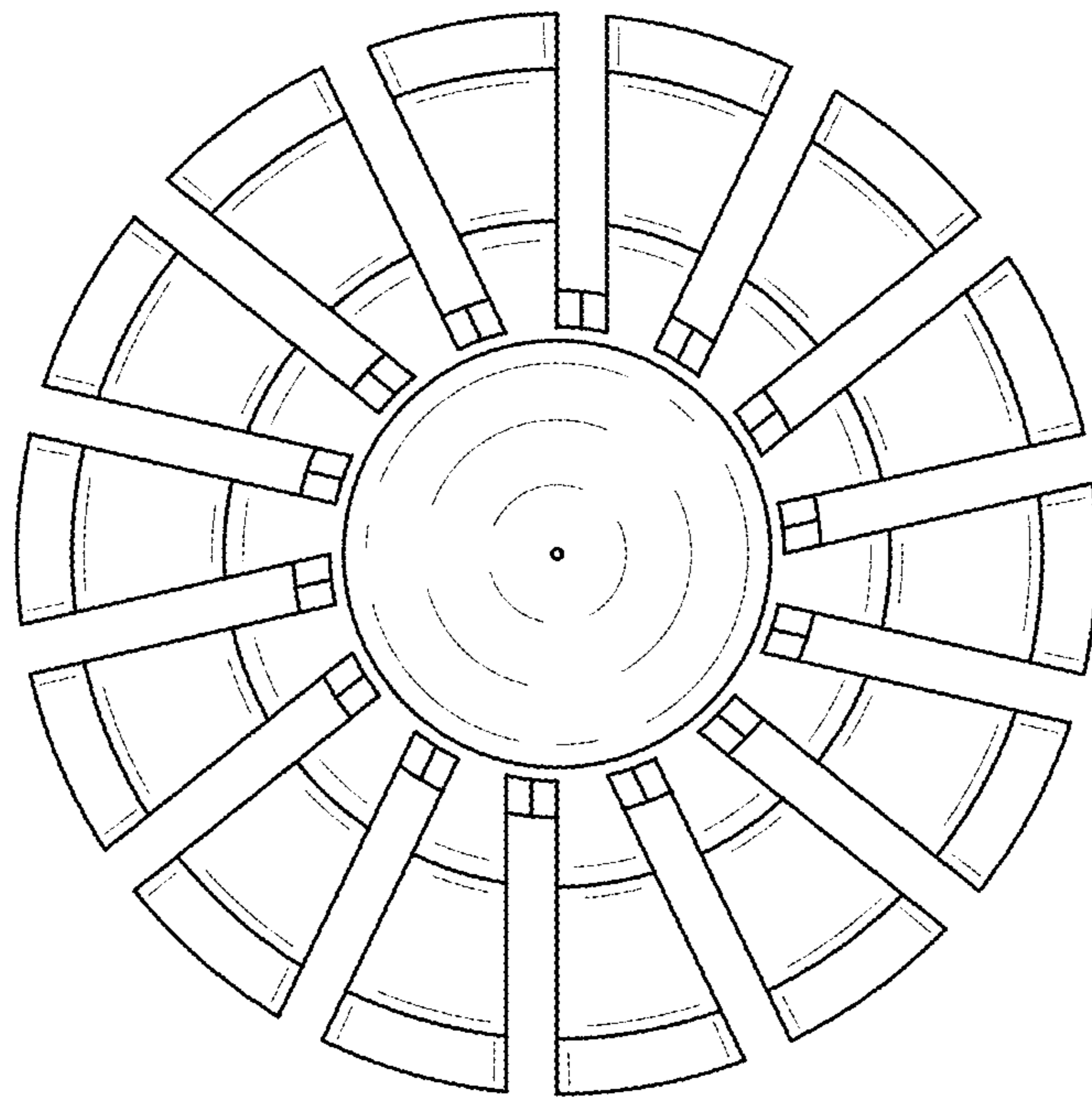


FIG. 3

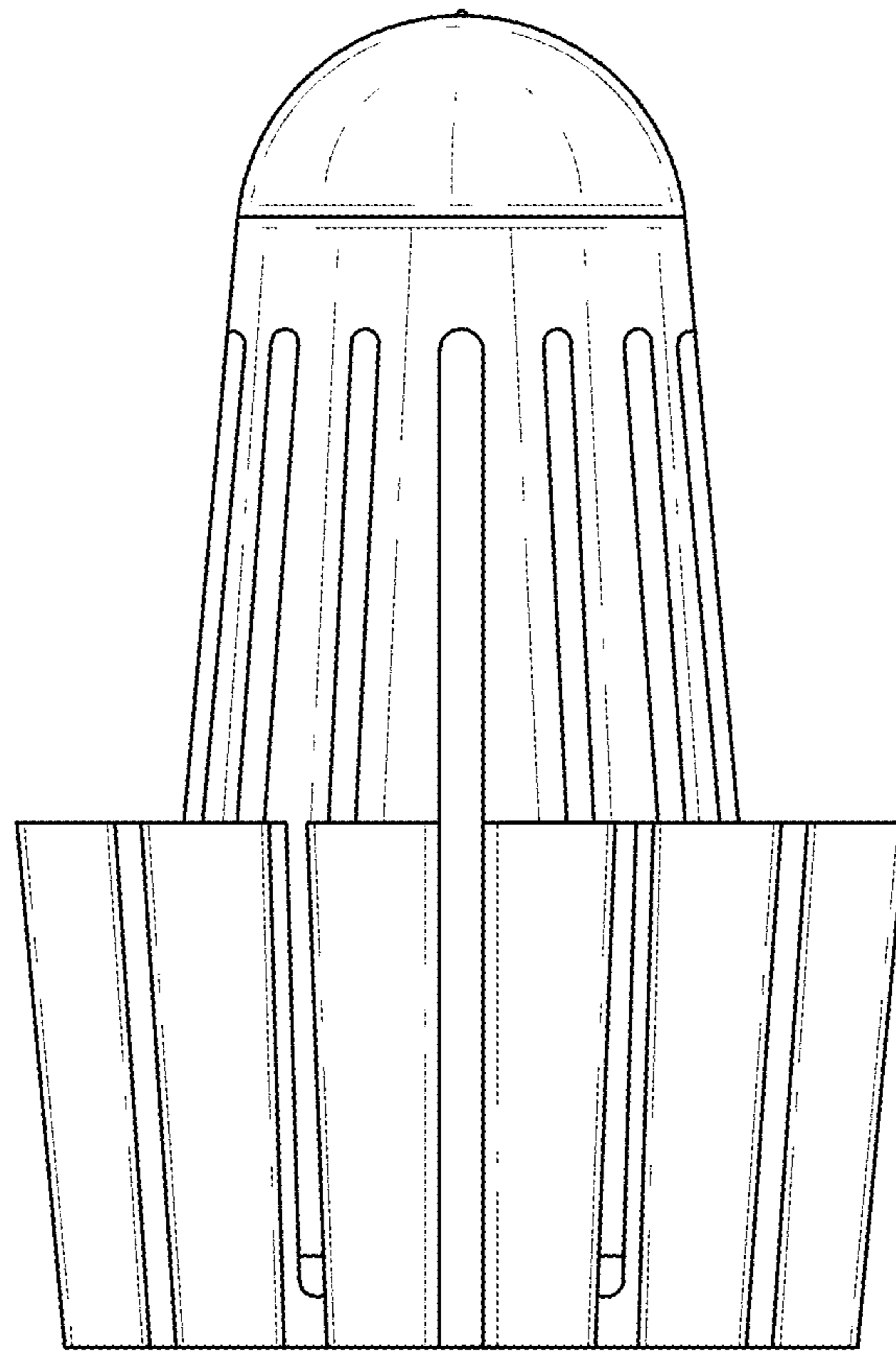


FIG. 4

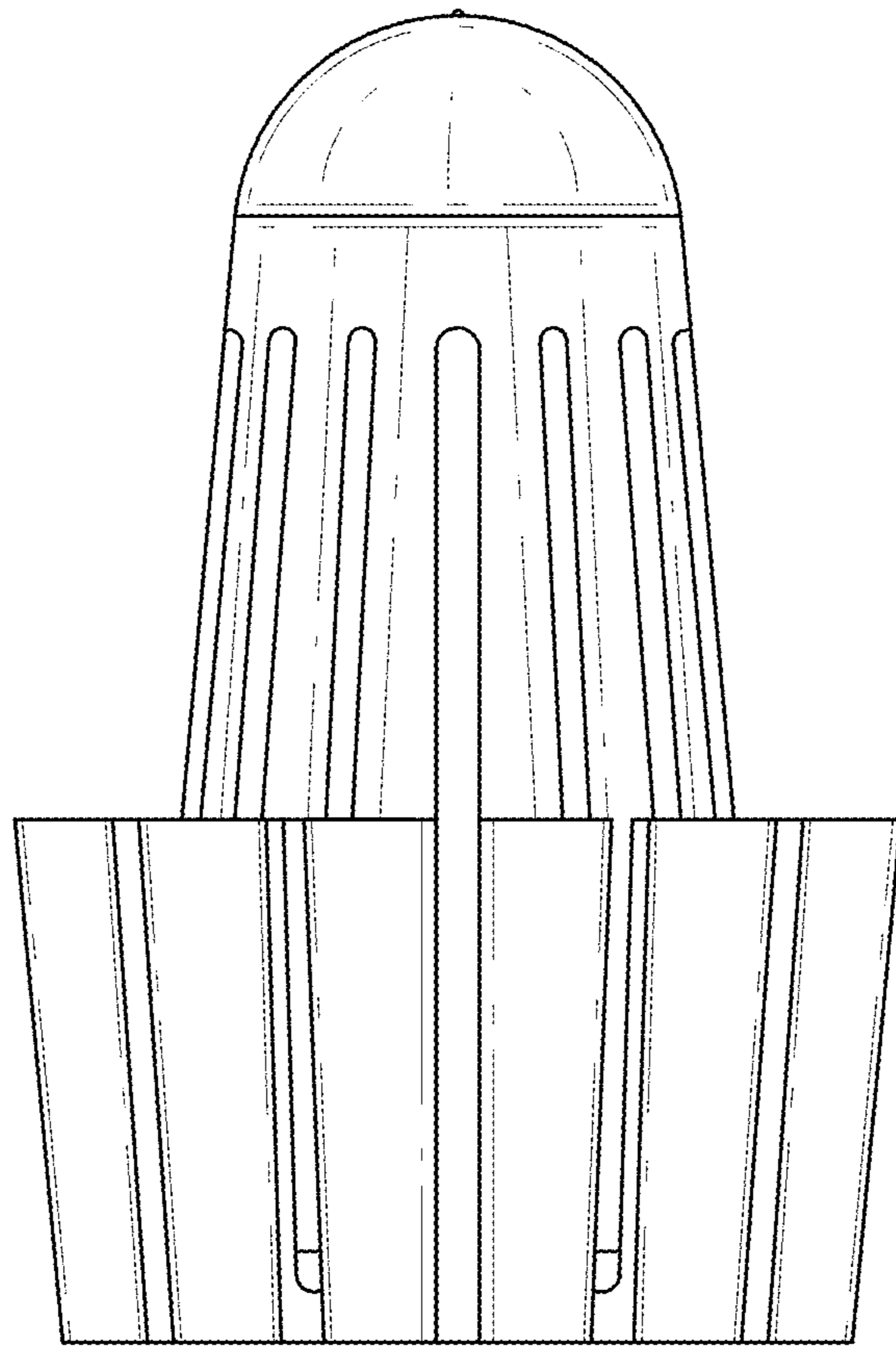


FIG. 5

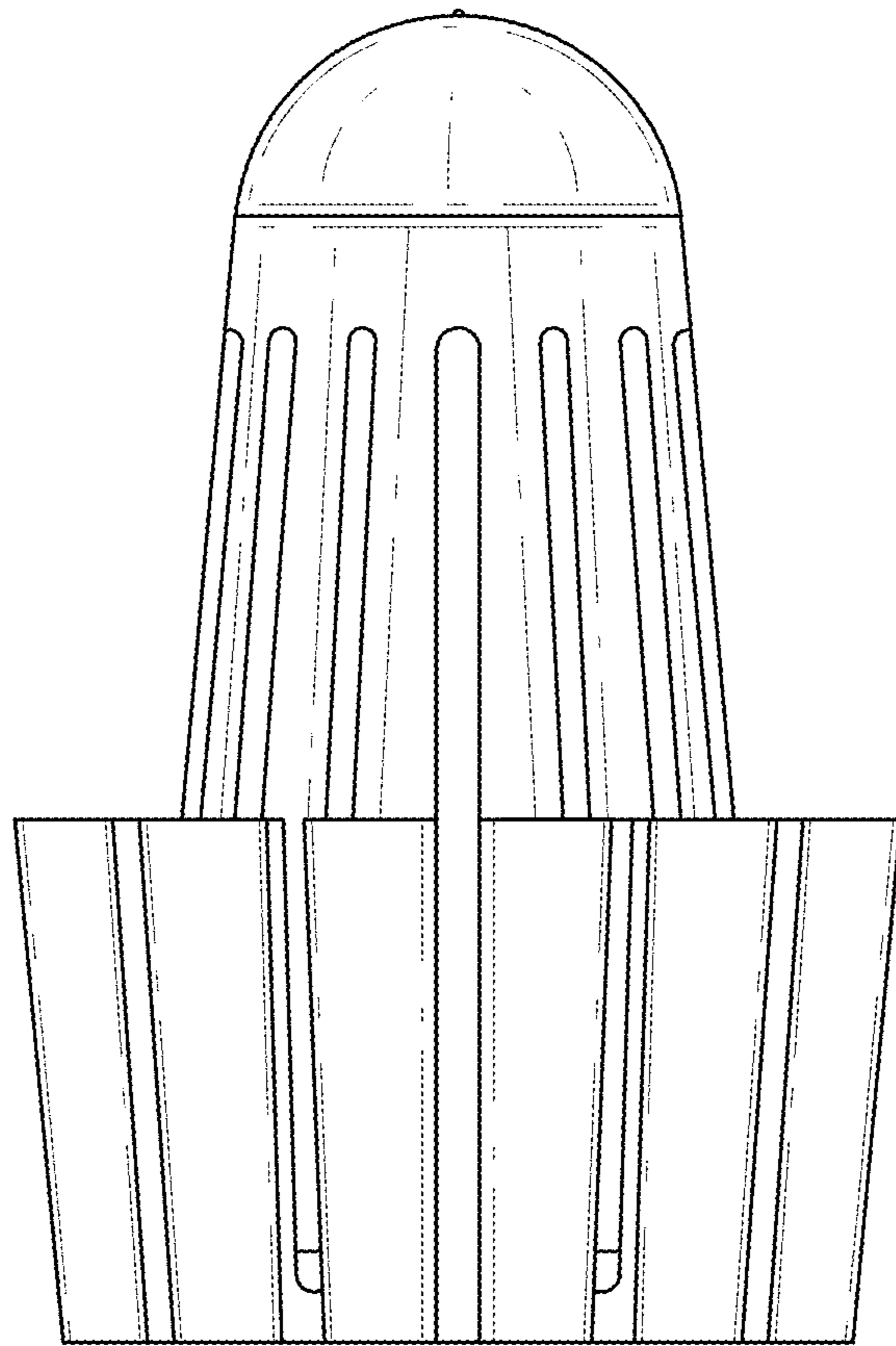


FIG. 6

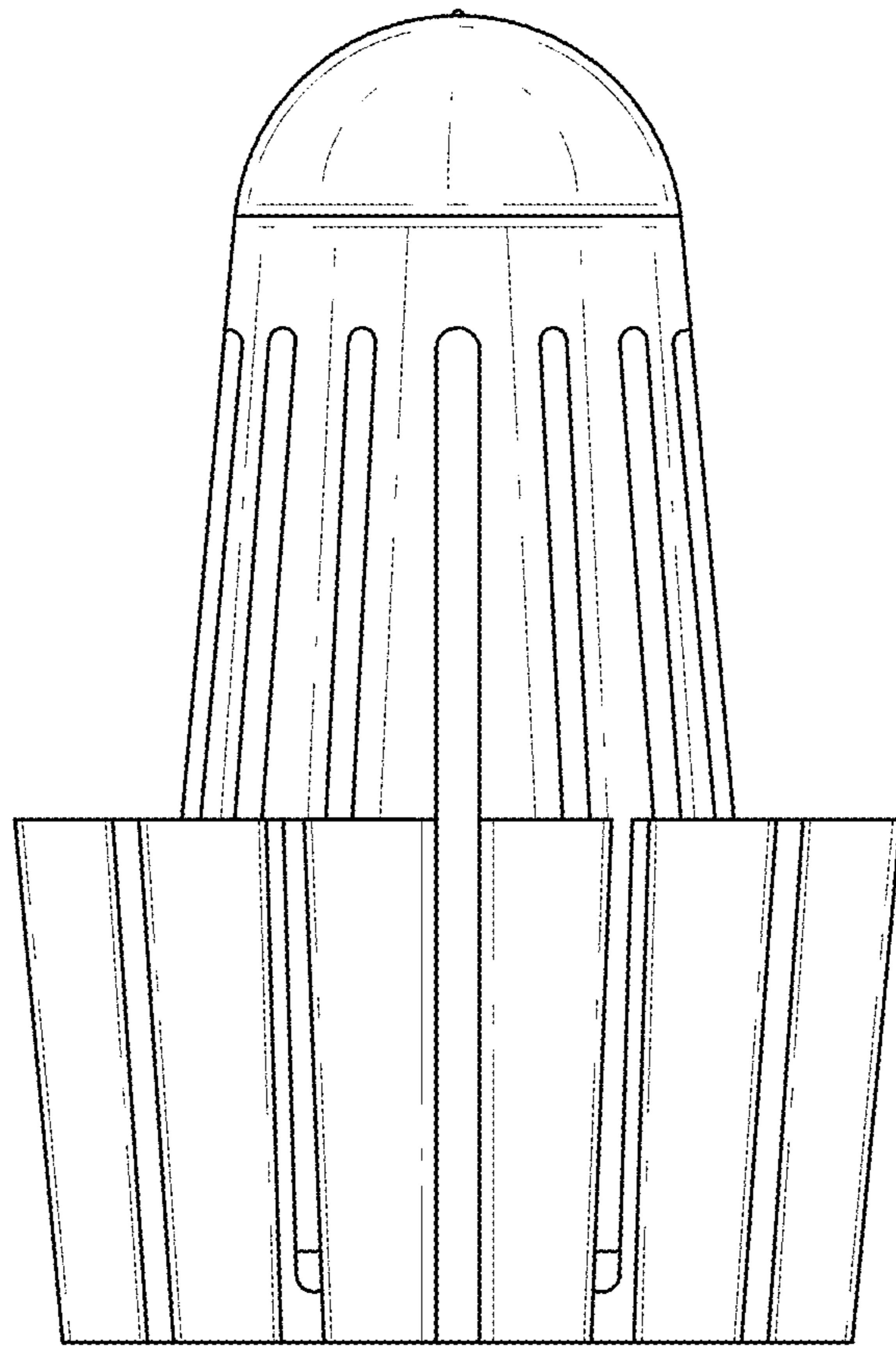


FIG. 7