



US00D931420S

(12) **United States Design Patent** (10) **Patent No.:** **US D931,420 S**
Johanning et al. (45) **Date of Patent:** **** Sep. 21, 2021**

(54) **CONTROL VALVE ASSEMBLY**
 (71) Applicant: **Dresser, LLC**, Houston, TX (US)
 (72) Inventors: **Jeffrey Louis Johanning**, Pointe Vedra, FL (US); **Abdul Raoof Mohamed**, Jacksonville, FL (US); **Jayesh K Shah**, Palantine, IL (US)
 (73) Assignee: **Dresser, LLC**, Houston, TX (US)

2013/0320252 A1* 12/2013 Hageman F16K 47/08
 251/324
 2016/0169410 A1* 6/2016 Wheeler G05B 23/0205
 137/1
 2016/0279454 A1* 9/2016 Ringer A62C 35/68
 2017/0022948 A1* 1/2017 Allen F02M 37/0023
 2017/0326394 A1* 11/2017 Ringer A62C 35/60

* cited by examiner

(**) Term: **15 Years**

Primary Examiner — Gino Colan
 (74) *Attorney, Agent, or Firm* — Paul Frank + Collins P.C.

(21) Appl. No.: **29/661,646**

(57) **CLAIM**

(22) Filed: **Aug. 29, 2018**

The ornamental design for a control valve assembly, as shown and described.

Related U.S. Application Data

(62) Division of application No. 29/563,478, filed on May 5, 2016, now Pat. No. Des. 836,754.

DESCRIPTION

(51) **LOC (13) Cl.** **23-01**

FIG. 1 is a perspective view from above illustrating the top and right side of a control valve assembly showing our new design;

(52) **U.S. Cl.**
USPC **D23/245**

FIG. 2 is a front elevation view of the control valve assembly of FIG. 1;

(58) **Field of Classification Search**
USPC D23/233, 235, 237, 241, 244, 245;
137/2, 587, 624.27, 1, 553; 251/324,
251/331, 551

FIG. 3 is a back elevation view of the control valve assembly of FIG. 1;

CPC A62C 35/68; F16K 15/00; F16K 37/00;
F16K 11/07; F16K 7/00; F16K 1/34;
F16K 1/00; F02M 37/00; F15D 1/00

FIG. 4 is a right side elevation view of the control valve assembly of FIG. 1;

See application file for complete search history.

FIG. 5 is a left side elevation view of the control valve assembly of FIG. 1;

(56) **References Cited**

FIG. 6 is a top plan view of the control valve assembly of FIG. 1; and,

U.S. PATENT DOCUMENTS

FIG. 7 is a bottom plan view of the control valve assembly of FIG. 1.

D836,754 S * 12/2018 Johanning D23/245
 2012/0161054 A1* 6/2012 Frank F16K 25/005
 251/324
 2012/0241659 A1* 9/2012 Clifford F16K 27/0236
 251/331

The broken lines shown in the figures are for the purposes of illustrating portions of the control valve assembly that form no part of the claimed design.

1 Claim, 7 Drawing Sheets

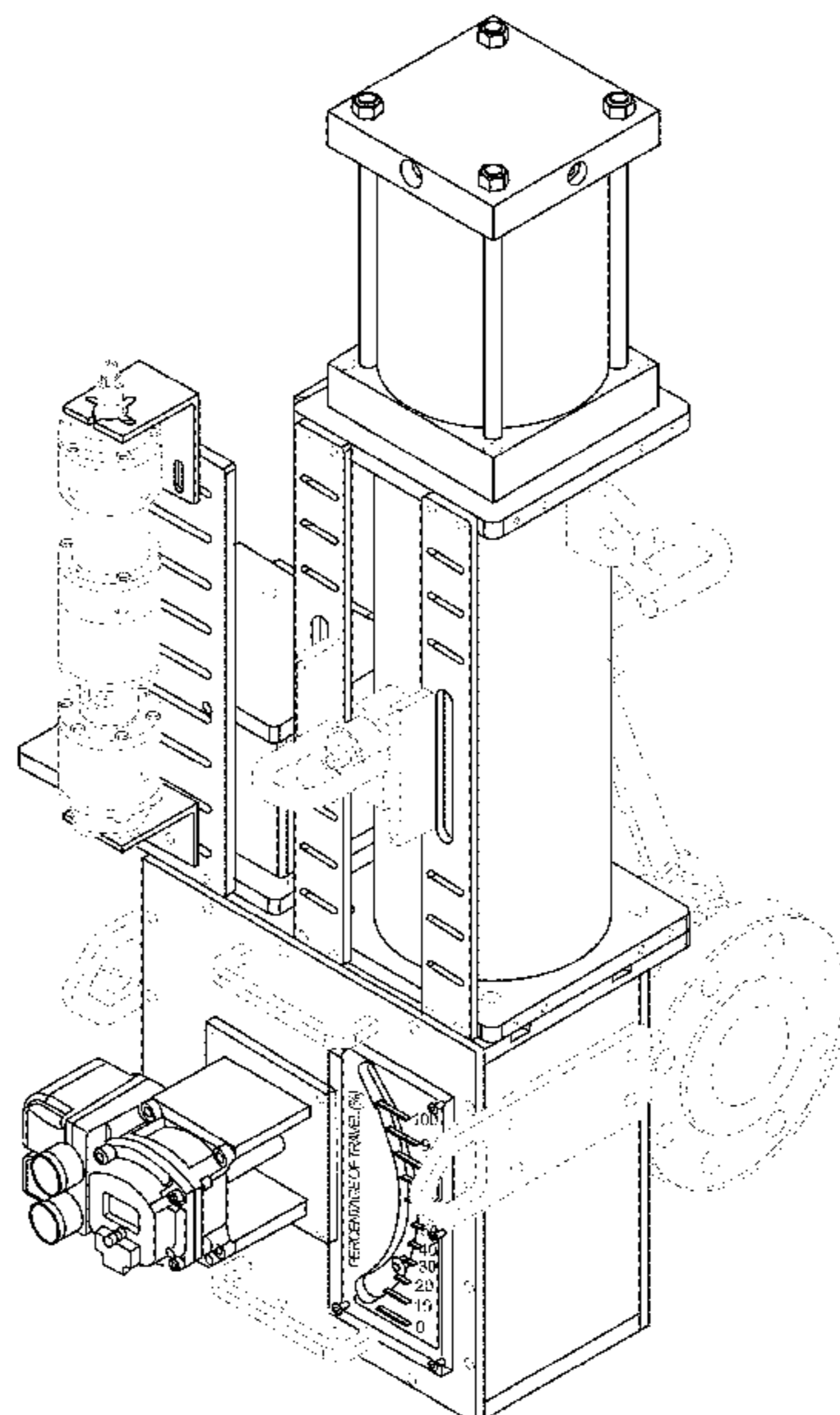


FIG. 1

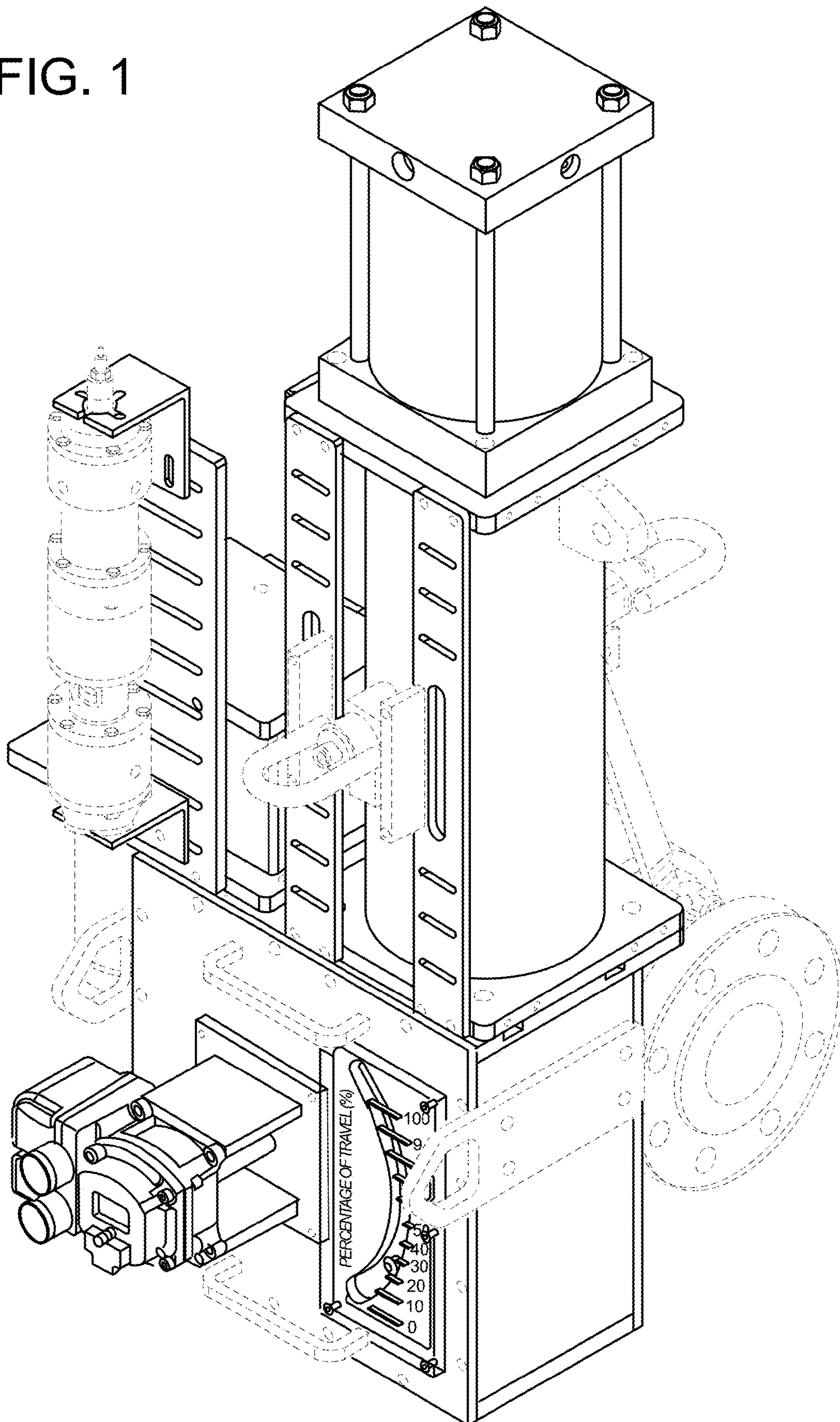


FIG. 2

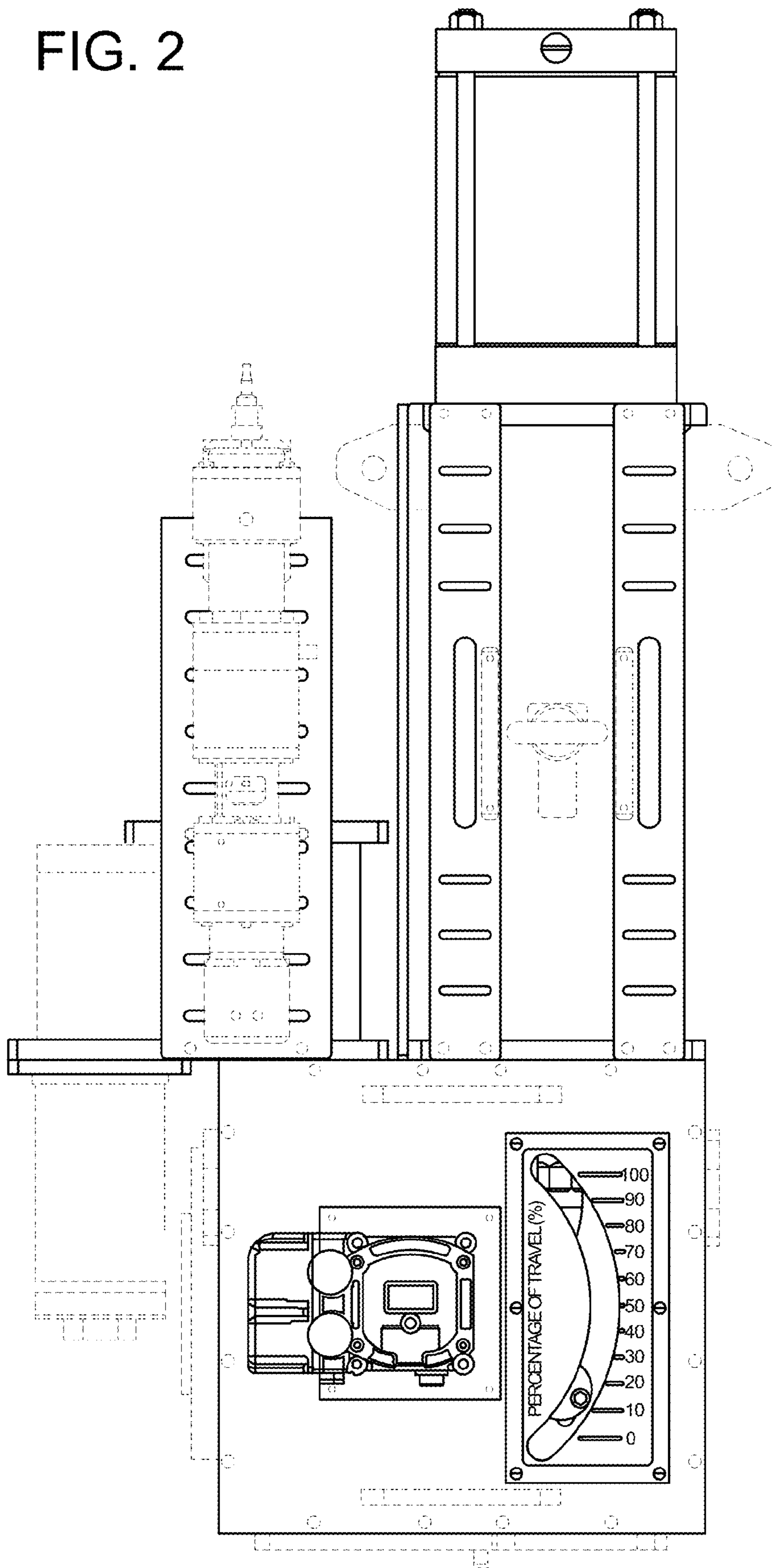


FIG. 3

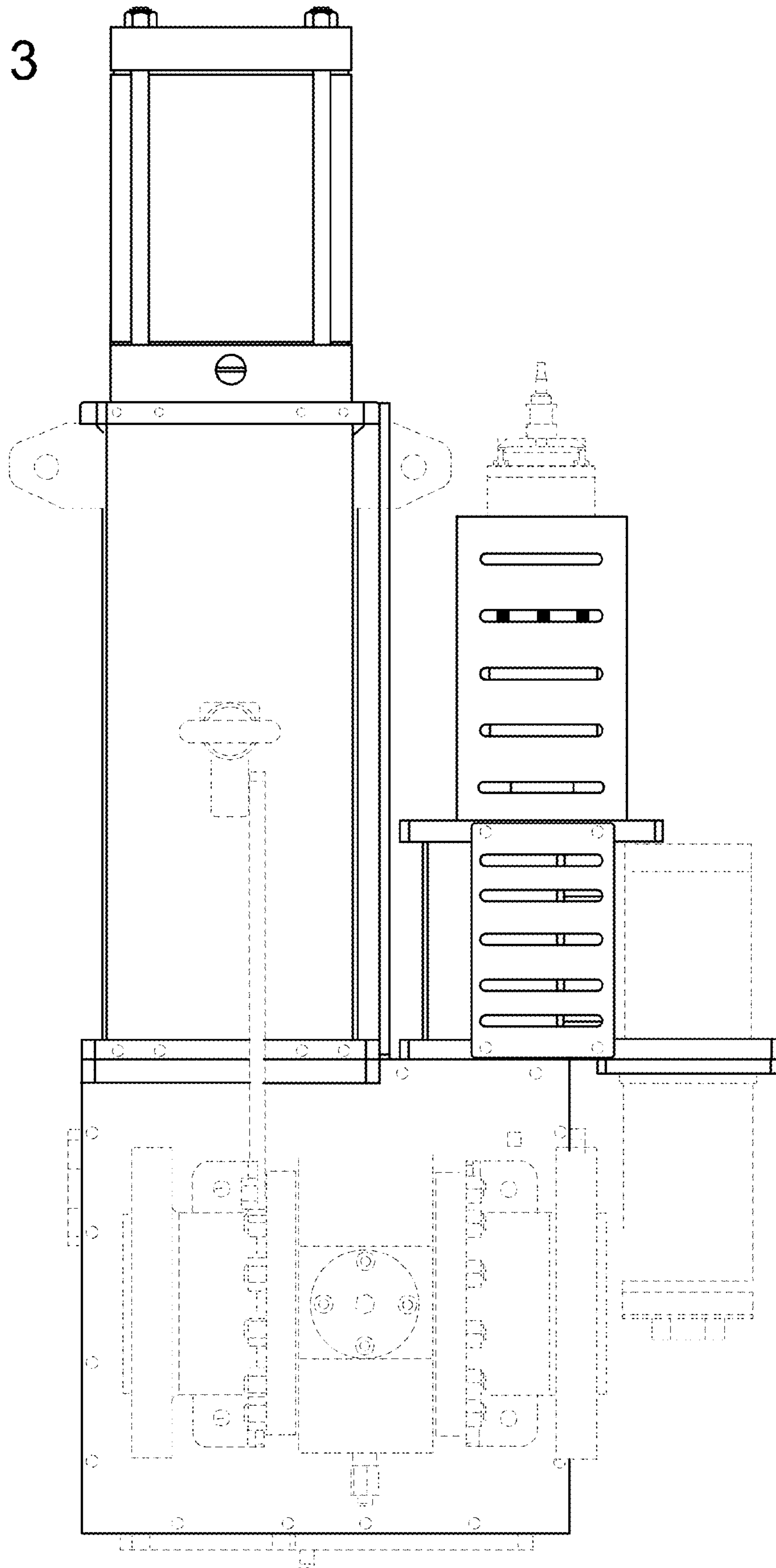


FIG. 4

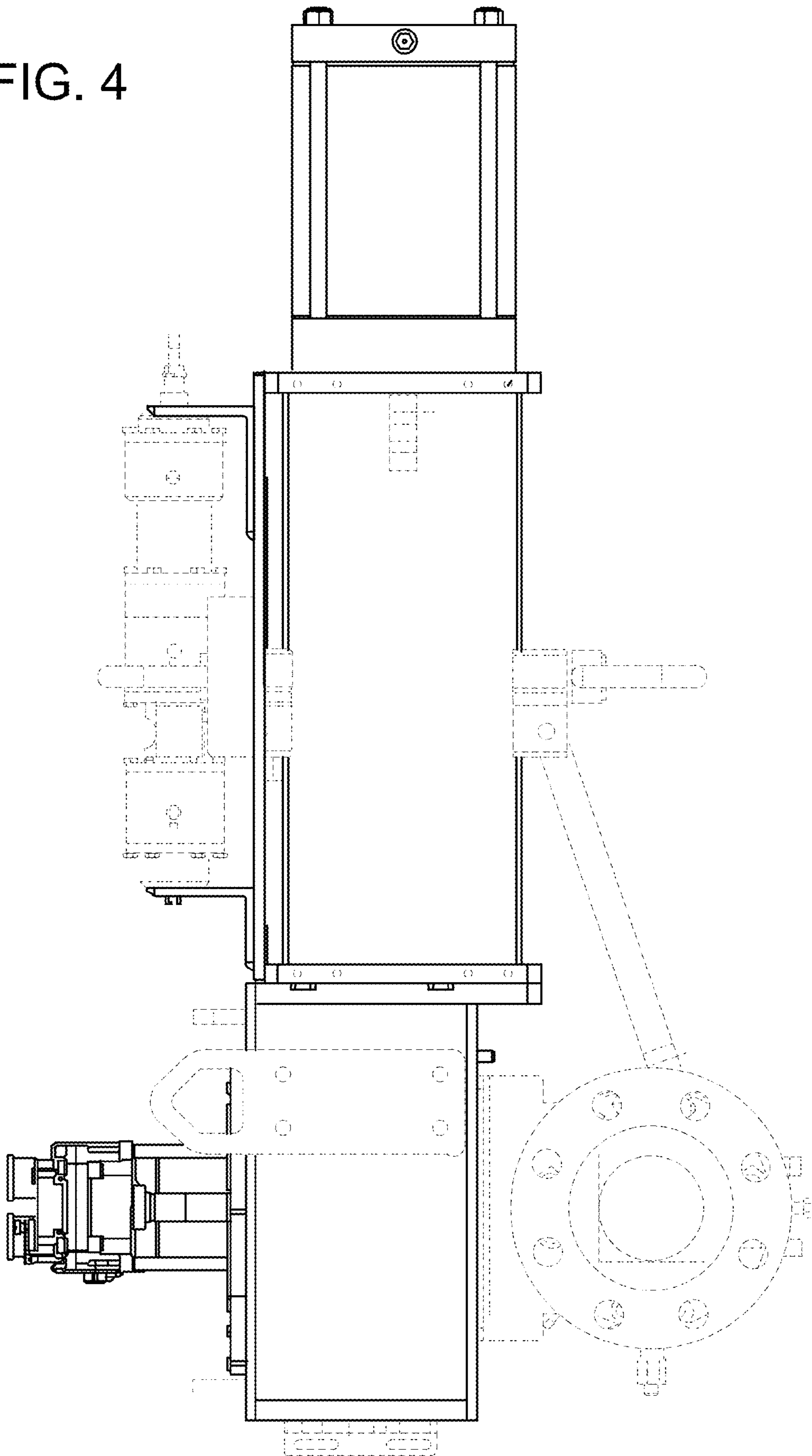


FIG. 5

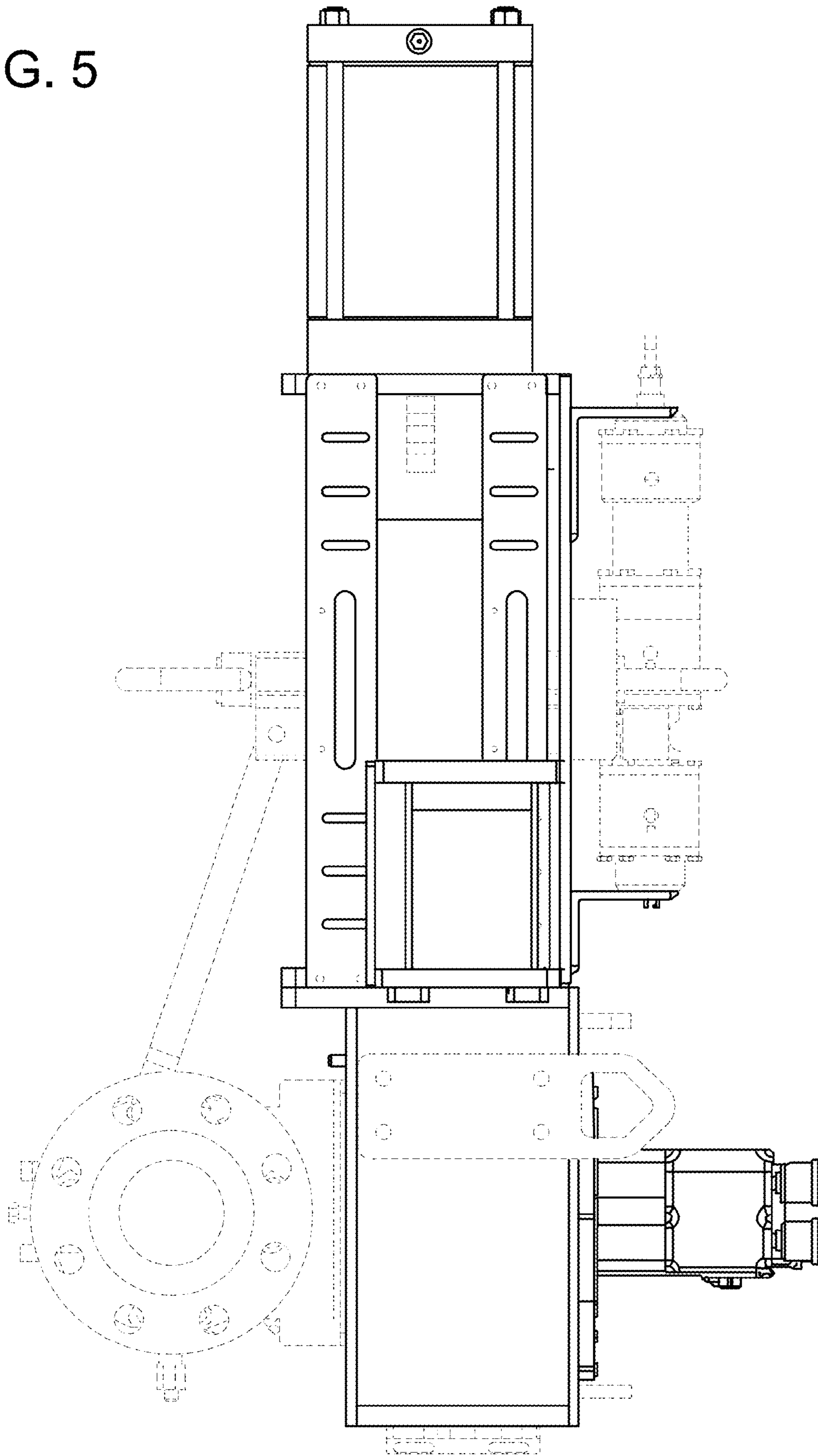


FIG. 6

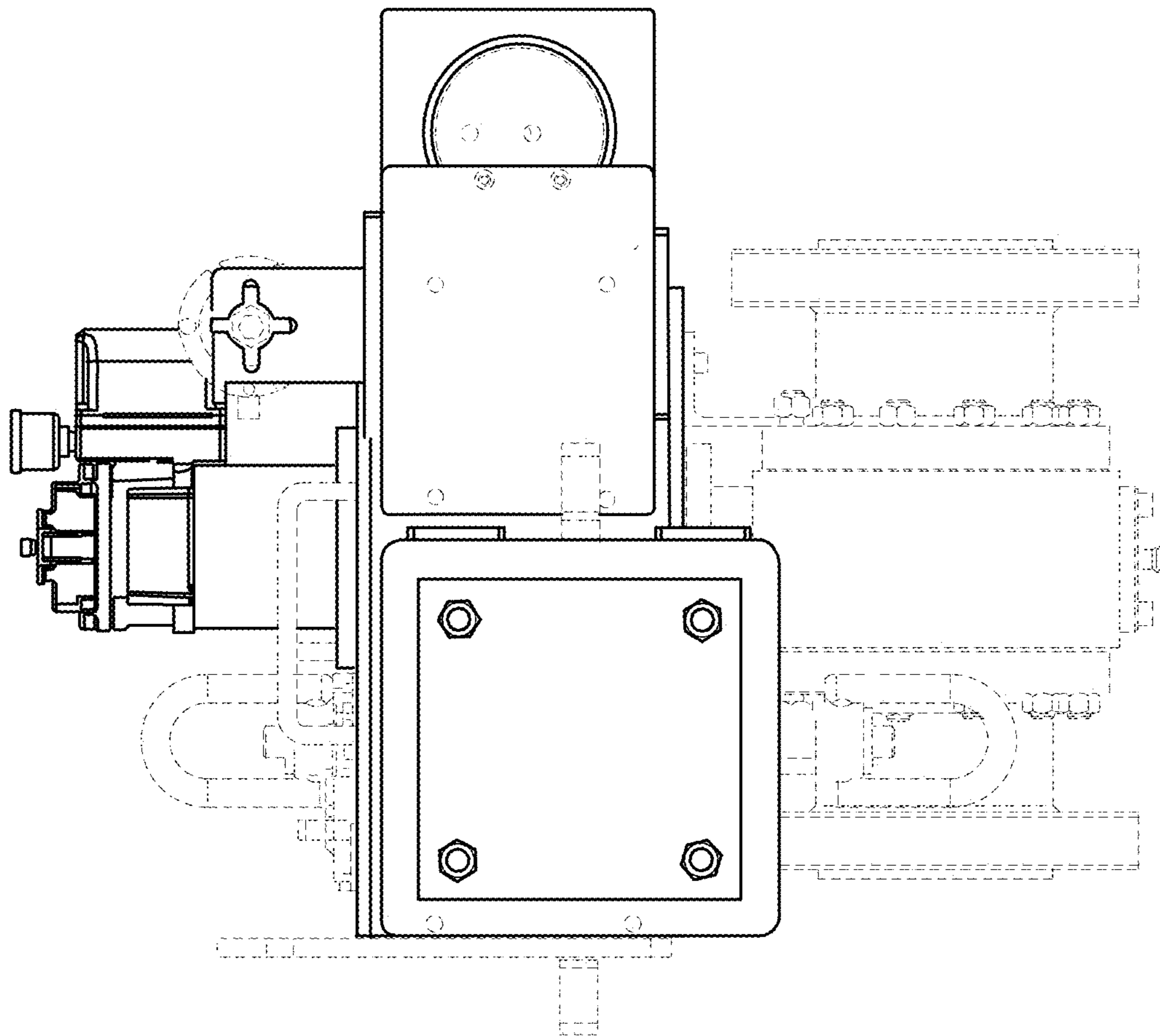


FIG. 7

