

US00D931419S

(12) **United States Design Patent**
Kulig

(10) **Patent No.:** **US D931,419 S**

(45) **Date of Patent:** **** Sep. 21, 2021**

(54) **FAUCET**

(71) Applicant: **Graff Faucets**, Milwaukee, WI (US)

(72) Inventor: **Zbigniew Kulig**, Wadworth, IL (US)

(73) Assignee: **Graff Faucets**, Milwaukee, WI (US)

(**) Term: **15 Years**

(21) Appl. No.: **29/690,752**

(22) Filed: **May 10, 2019**

(51) **LOC (13) Cl.** **23-01**

(52) **U.S. Cl.**
USPC **D23/242**

(58) **Field of Classification Search**
USPC D23/238-243, 249-250, 252, 254-55,
D23/257

CPC E03C 1/042
See application file for complete search history.

D528,189 S	9/2006	Kulig	
D573,231 S	7/2008	Kulig	
D579,521 S	10/2008	Kulig	
D597,175 S	7/2009	Kulig	
D621,004 S	8/2010	Kulig	
D624,991 S	10/2010	Kulig	
D625,392 S	10/2010	Kulig	
D636,061 S	4/2011	Kulig	
D636,463 S	4/2011	Kulig et al.	
D654,570 S	* 2/2012	Yu	D23/242
D666,694 S	9/2012	Kulig	
D667,932 S	9/2012	Kulig	
D714,426 S	9/2014	Kulig	
D723,665 S	3/2015	Kulig	
D724,698 S	3/2015	Kulig	
D728,076 S	* 4/2015	Standefer	D23/255
D729,348 S	5/2015	Kulig	
D731,029 S	* 6/2015	Fritz	D23/253
D767,097 S	9/2016	Kulig	
D792,558 S	7/2017	Kulig	
D792,560 S	7/2017	Kulig	

(Continued)

Primary Examiner — Robert A Delehanty

(74) Attorney, Agent, or Firm — Boyle Fredrickson S.C.

(56) **References Cited**

U.S. PATENT DOCUMENTS

D190,711 S	* 6/1961	Kohler	D23/242
D371,956 S	* 7/1996	Steffes	D23/254
D510,979 S	10/2005	Kulig	
D511,200 S	11/2005	Kulig	
D511,202 S	11/2005	Kulig	
D511,560 S	11/2005	Kulig	
D511,561 S	11/2005	Kulig	
D512,124 S	11/2005	Kulig et al.	
D512,485 S	12/2005	Kulig	
D512,765 S	12/2005	Kulig	
D513,309 S	12/2005	Kulig	
D517,647 S	3/2006	Kulig	
D517,648 S	3/2006	Kulig	
D520,119 S	5/2006	Kulig	
D523,114 S	* 6/2006	Schaffeld	D23/249
D524,417 S	7/2006	Kulig	
D525,350 S	* 7/2006	Schaffeld	D23/255

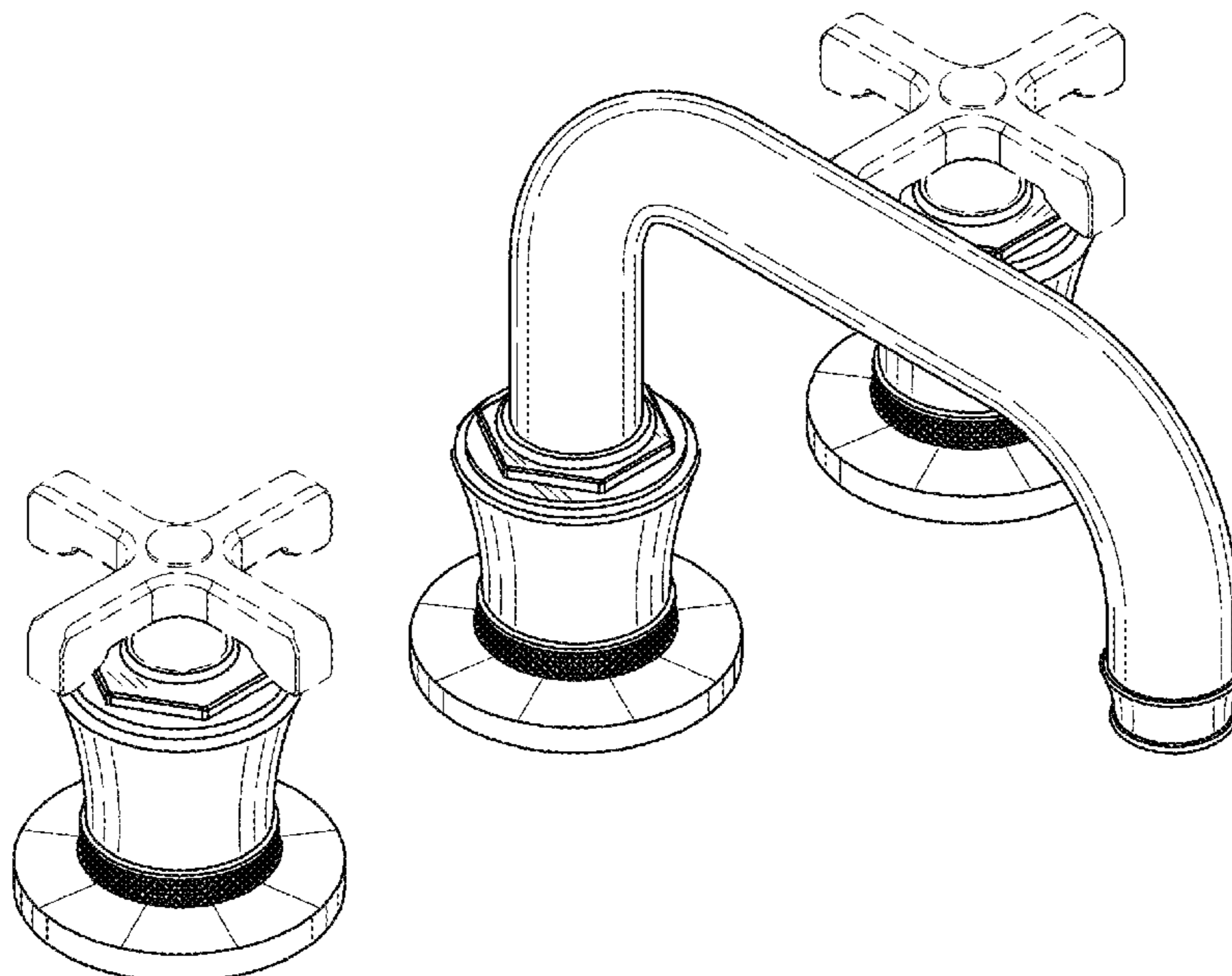
(57) **CLAIM**

The ornamental design for a faucet, as shown and described.

DESCRIPTION

FIG. 1 is top, front, right, perspective view of a faucet incorporating my new design;
FIG. 2 is a front elevation view thereof;
FIG. 3 is a rear elevation view thereof;
FIG. 4 is a left-side elevation view thereof;
FIG. 5 is a right-side elevation view thereof;
FIG. 6 is a top plan view thereof; and,
FIG. 7 is a bottom plan view thereof.
The broken lines in the drawings depict portions of the faucet that form no part of the of the claimed design.

1 Claim, 7 Drawing Sheets



(56)

References Cited

U.S. PATENT DOCUMENTS

D794,757 S	8/2017	Kulig	
D797,244 S	9/2017	Kulig	
D867,540 S *	11/2019	Garland D23/242
D890,306 S *	7/2020	Potter D23/242

* cited by examiner

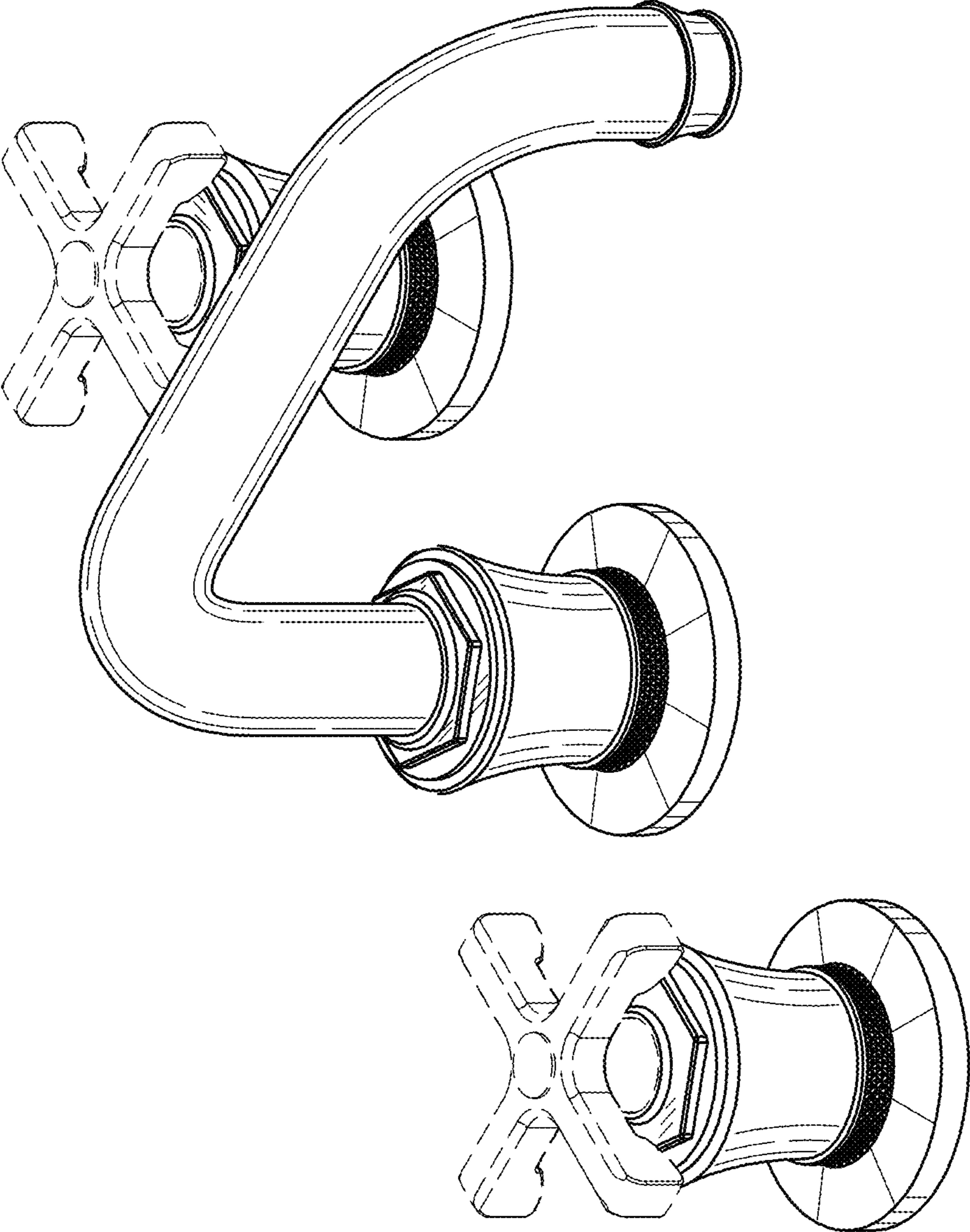


FIG. 1

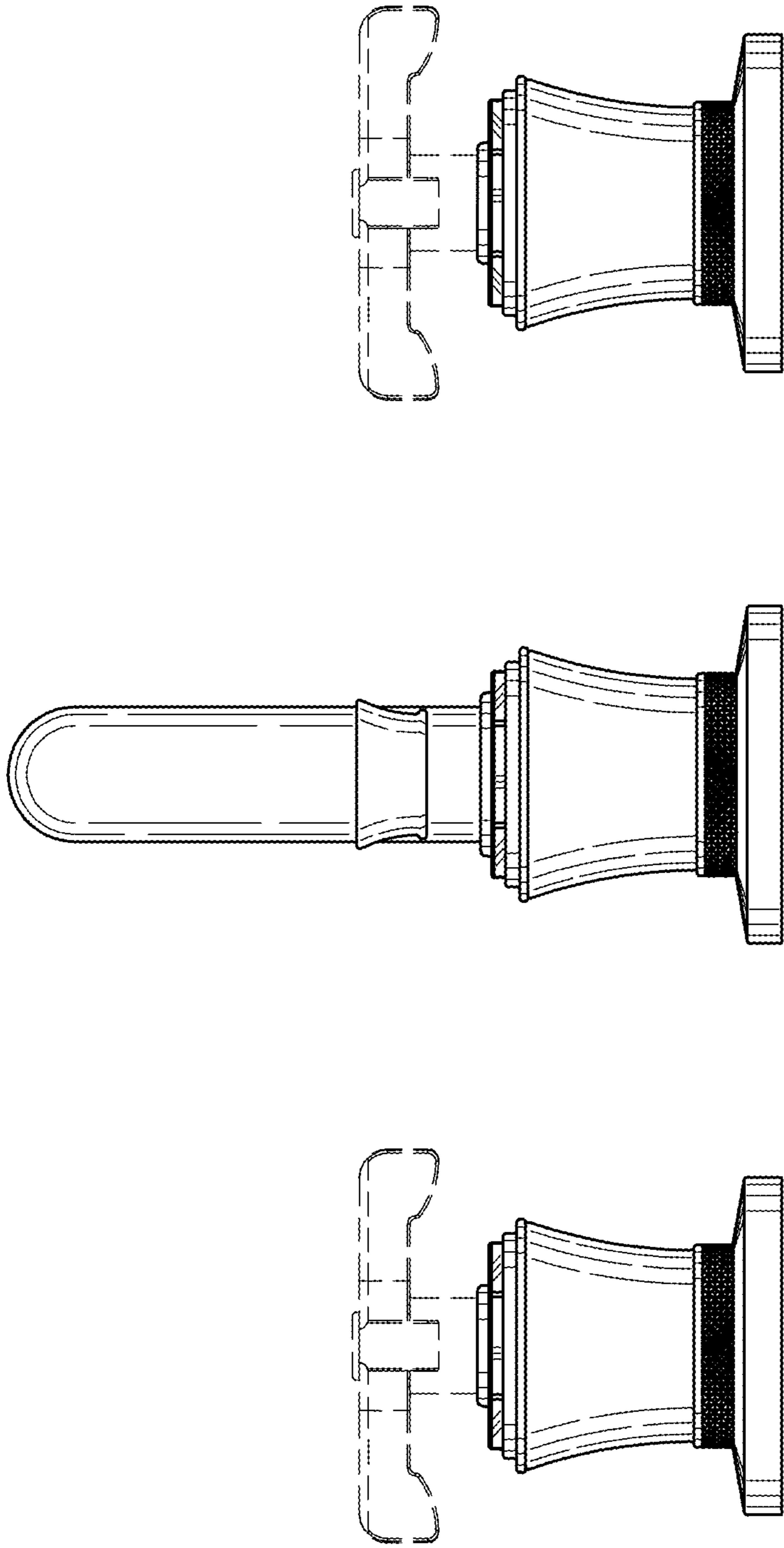


FIG. 2

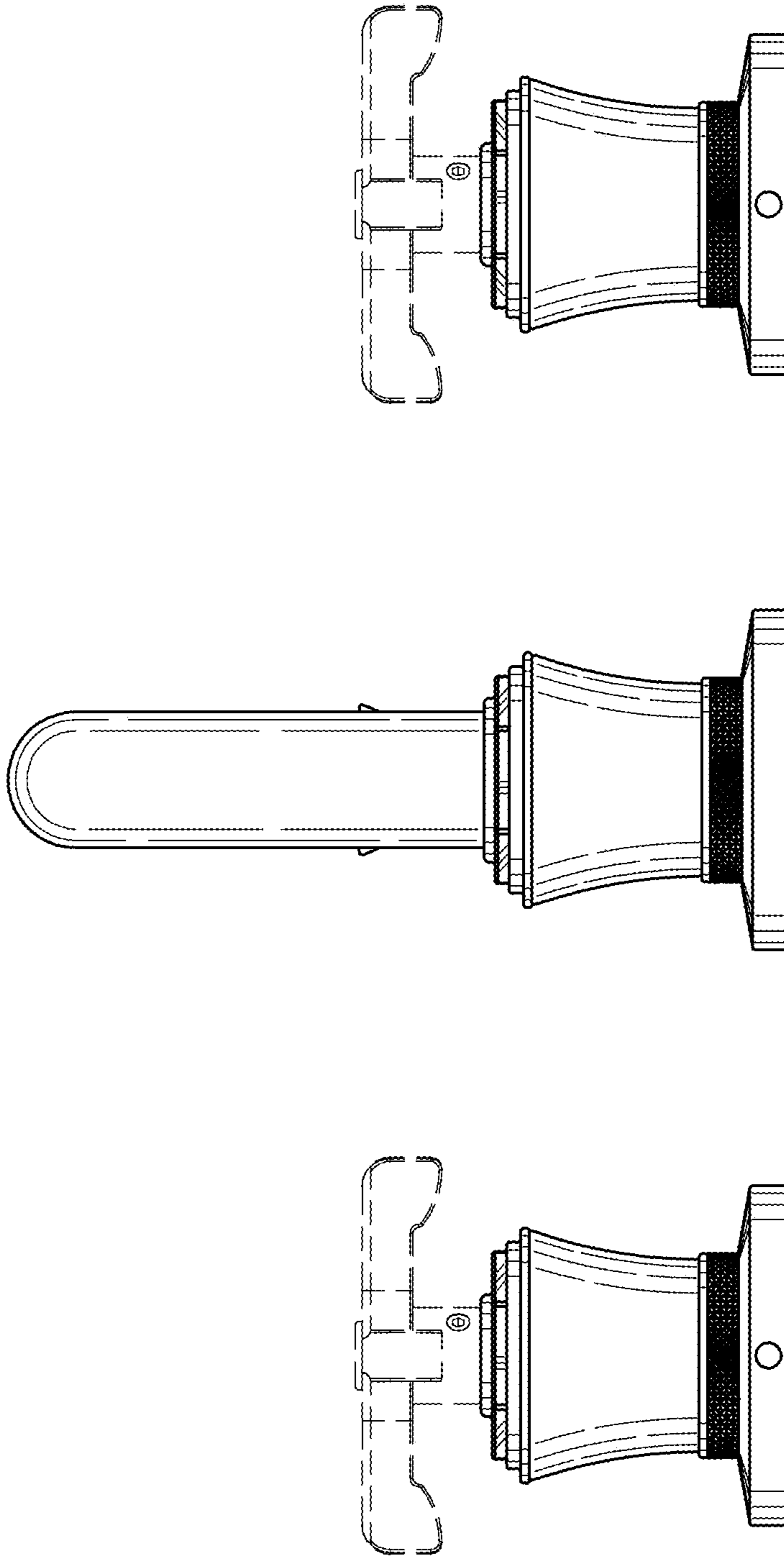


FIG. 3

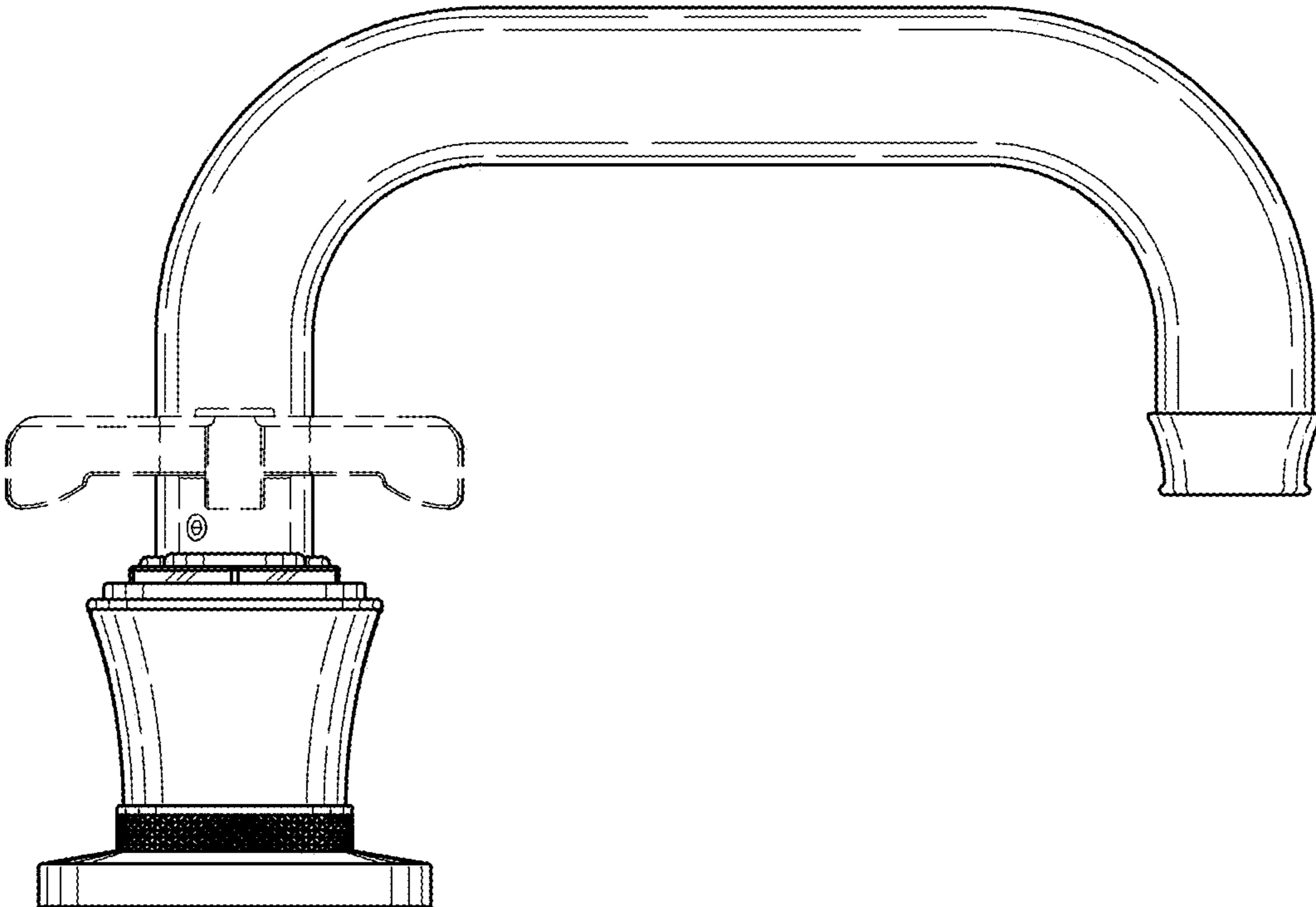


FIG. 4

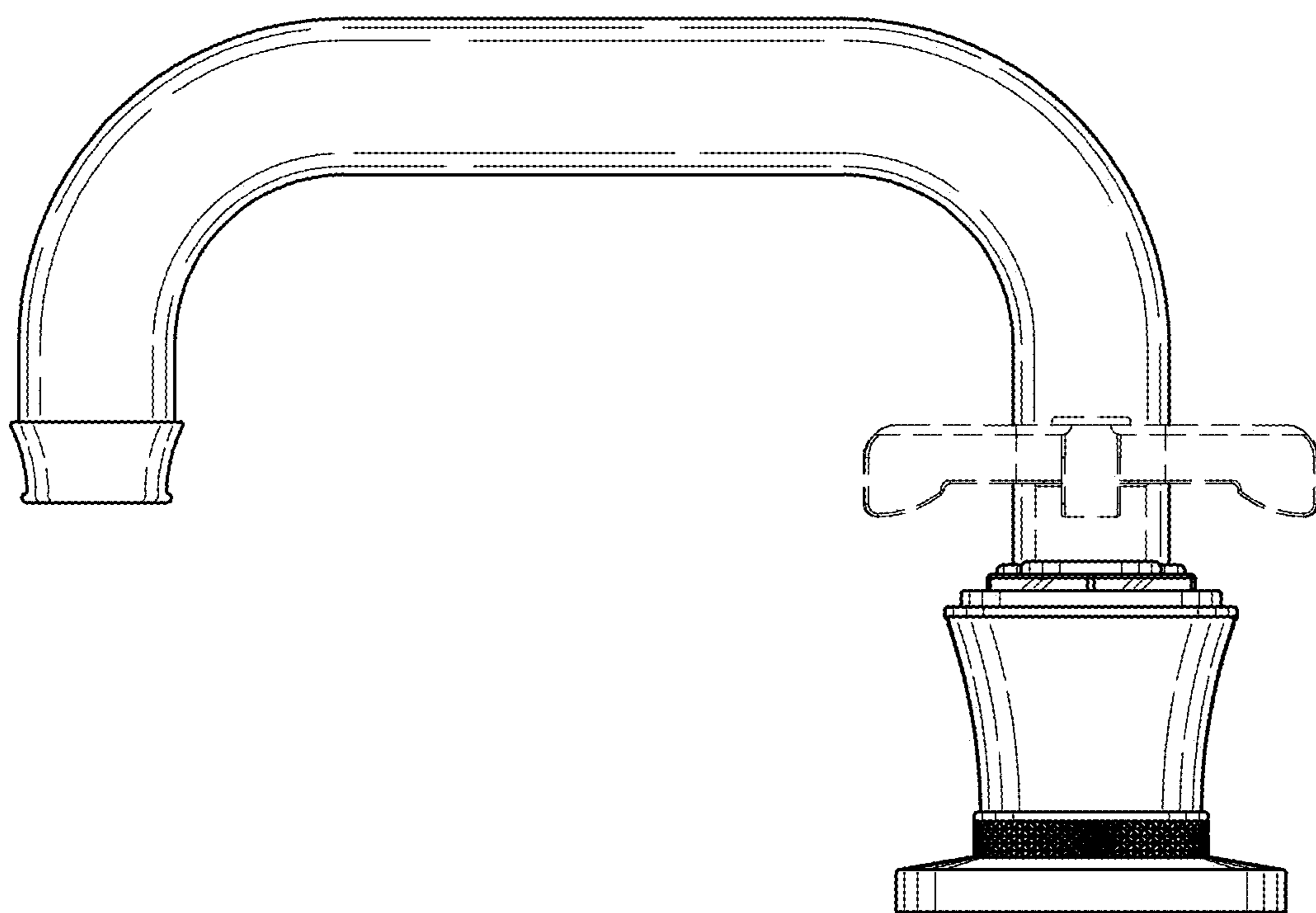


FIG. 5

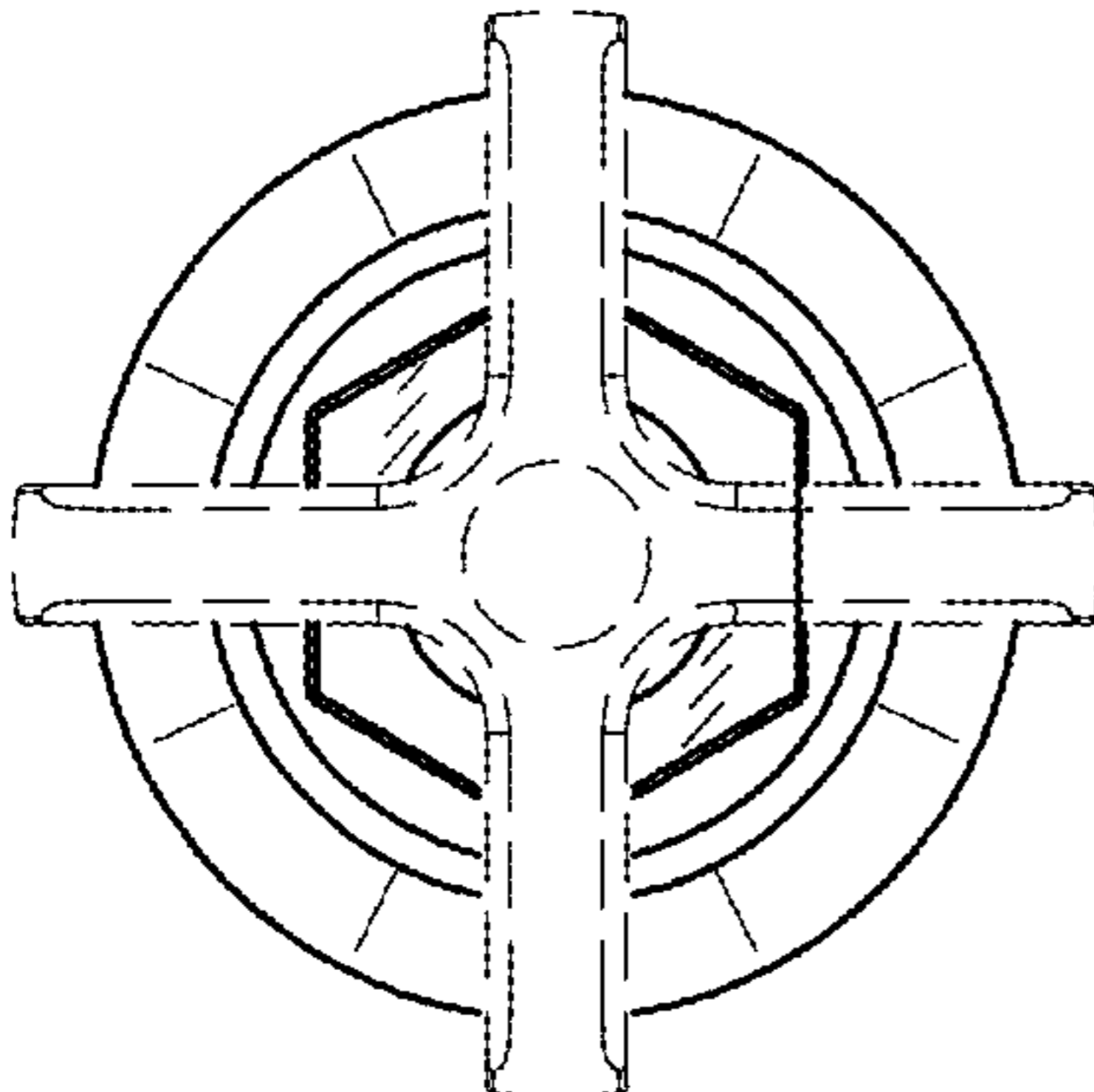
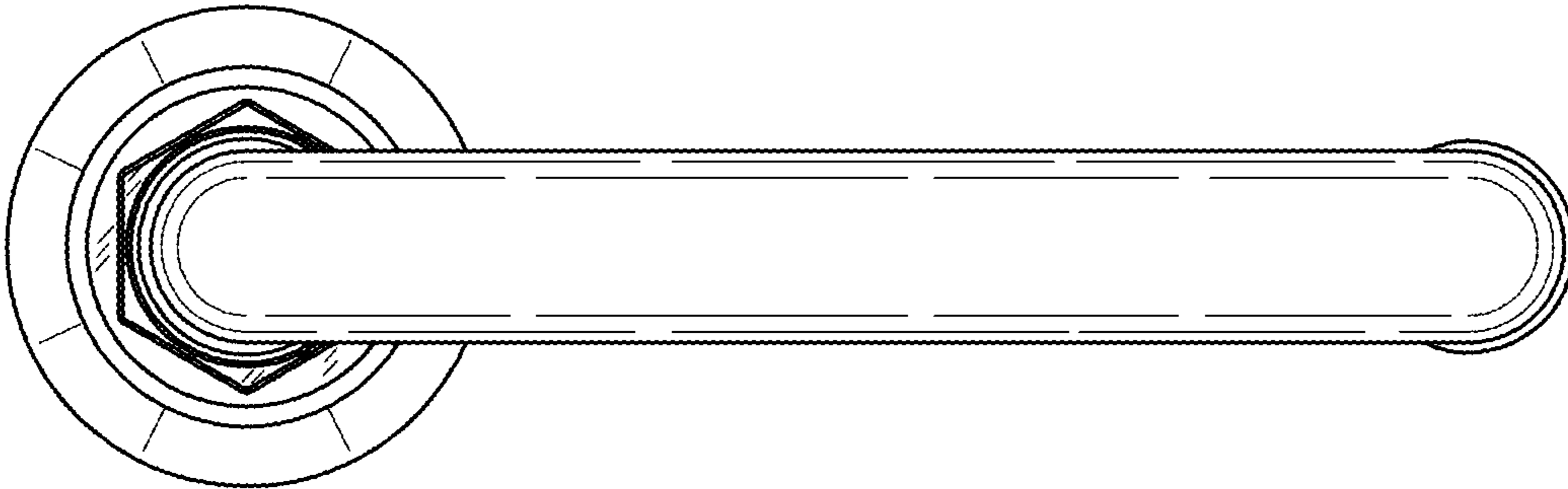
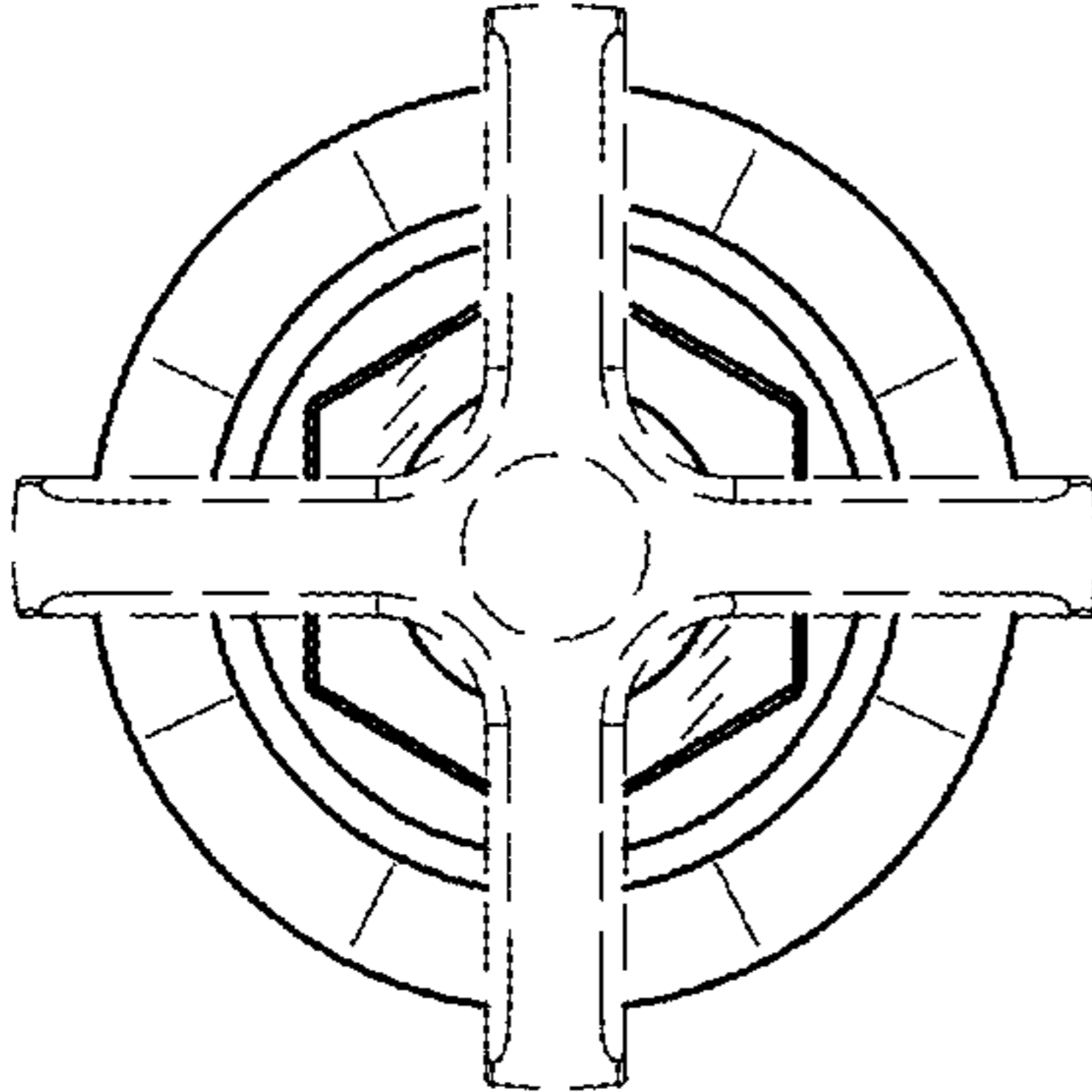


FIG. 6

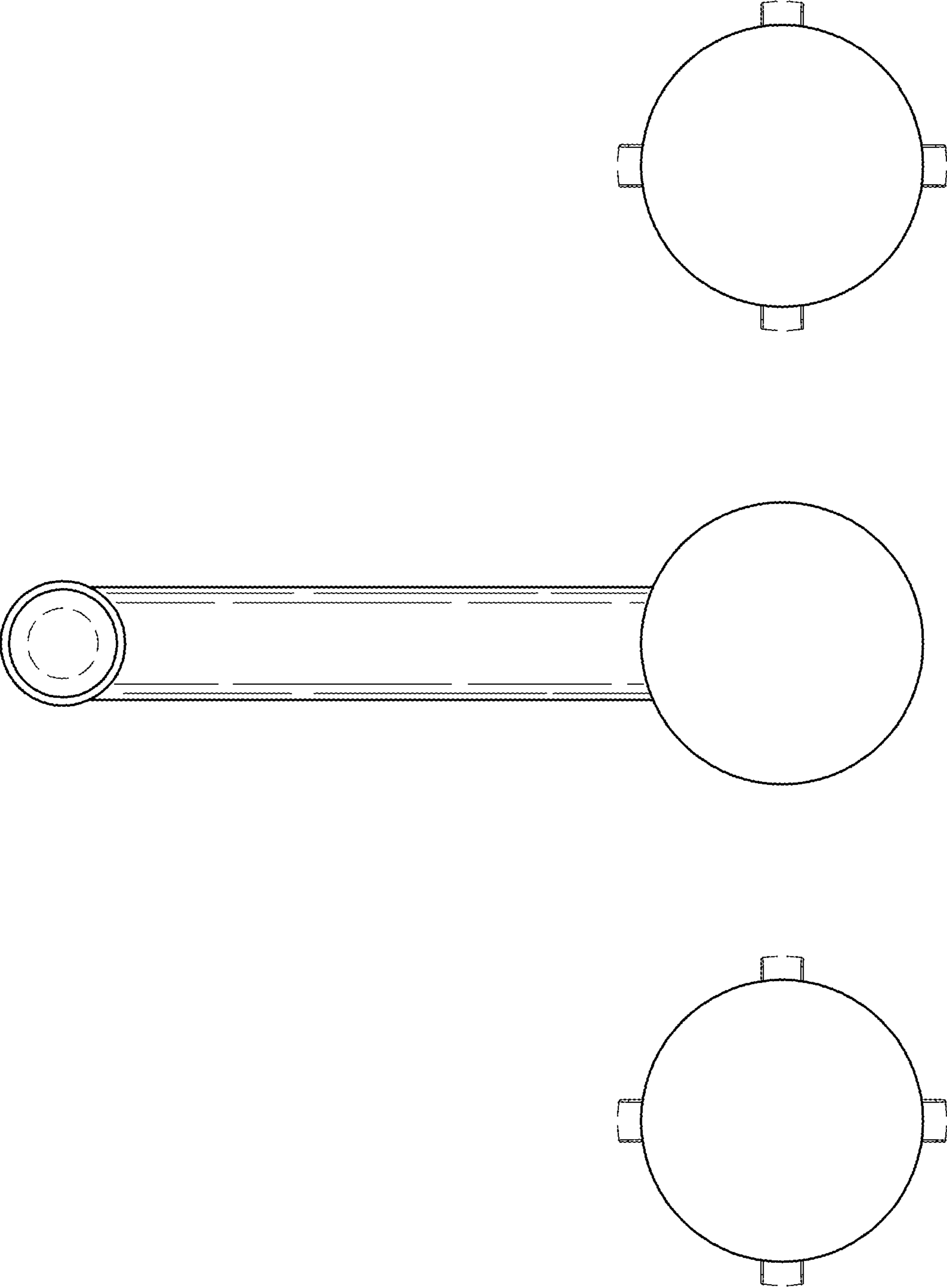


FIG. 7