



US00D931418S

(12) **United States Design Patent** (10) **Patent No.:** **US D931,418 S**
Para (45) **Date of Patent:** **** Sep. 21, 2021**

(54) **FAUCET**
(71) Applicant: **DELTA FAUCET COMPANY,**
Indianapolis, IN (US)
(72) Inventor: **Lauren Elizabeth Para,** Lisle, IL (US)
(73) Assignee: **DELTA FAUCET COMPANY,**
Indianapolis, IN (US)
(**) Term: **15 Years**
(21) Appl. No.: **29/723,226**
(22) Filed: **Feb. 5, 2020**
(51) **LOC (13) Cl.** **23-01**
(52) **U.S. Cl.**
USPC **D23/238**
(58) **Field of Classification Search**
USPC D23/238-244, 252, 254-255, 257;
D8/307-308
CPC F16K 31/602; F16K 31/605; F16K 31/607;
E03C 1/0412
See application file for complete search history.

D873,379 S * 1/2020 Fritz D23/238
D873,380 S * 1/2020 Judge D23/238
D873,960 S * 1/2020 Fritz D23/238
(Continued)

FOREIGN PATENT DOCUMENTS

CN 304817718 * 8/2018
CN 304909329 * 10/2018

OTHER PUBLICATIONS

WEWE Single Hondle High Arc Brushed Nickel Pull Out Kitchen
Foucet, announced Jun. 15, 2016[online], [site visited Feb. 10,
2021], Availlable from internet, URL:<[https://www.amazon.com/
WEWE-Brushed-Kitchen-Stainless-Faucets/dp/B01H3OMH7Y](https://www.amazon.com/WEWE-Brushed-Kitchen-Stainless-Faucets/dp/B01H3OMH7Y)> (Year:
2016).*

(Continued)

Primary Examiner — Barbara Fox
Assistant Examiner — Jamaal Rasheed
(74) *Attorney, Agent, or Firm* — Nirav D. Parikh; Edgar
A. Zarins

(57) **CLAIM**

The ornamental design for a faucet, as shown and described.

DESCRIPTION

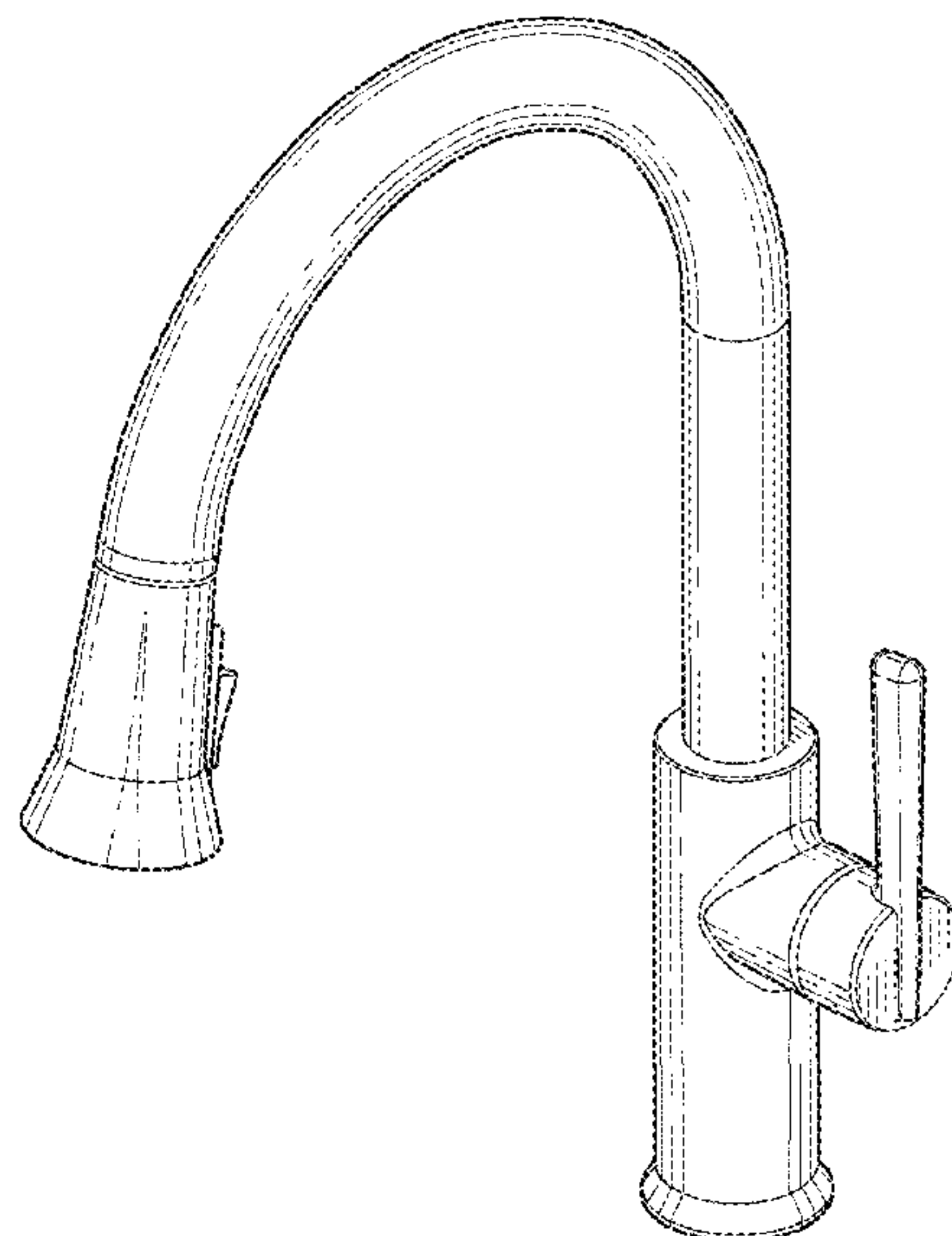
FIG. 1 is a first perspective view of a faucet showing my new
design;
FIG. 2 is a second perspective view thereof;
FIG. 3 is a left side view thereof;
FIG. 4 is a right side view thereof;
FIG. 5 is a top plan view thereof;
FIG. 6 is a bottom view thereof;
FIG. 7 is a front elevational view thereof; and,
FIG. 8 is a rear view thereof.
The broken line shown in the drawings depict portions of the
faucet that form no part of the claimed design.

1 Claim, 6 Drawing Sheets

(56) **References Cited**

U.S. PATENT DOCUMENTS

D521,109 S * 5/2006 Lord D23/238
D689,595 S * 9/2013 Georgeson D23/238
D705,399 S * 5/2014 Flowers D23/238
D828,508 S * 9/2018 Fritz D23/238
D840,509 S * 2/2019 Garland D23/238
D842,429 S * 3/2019 Huang D23/213
D842,430 S * 3/2019 Huang D23/213
D849,201 S * 5/2019 Zhang D23/238
D867,532 S * 11/2019 Liao D23/238
D868,211 S * 11/2019 Garland D23/238
D870,851 S * 12/2019 Tentler D23/238
D870,852 S * 12/2019 Eads D23/238
D871,546 S * 12/2019 Bahler D23/238
D871,547 S * 12/2019 Eads D23/238
D871,548 S * 12/2019 Tentler D23/238
D872,235 S * 1/2020 Garland D23/238



(56)

References Cited

U.S. PATENT DOCUMENTS

D874,613	S	*	2/2020	Park	D23/238
D879,914	S	*	3/2020	Lazarini	D23/238
D883,435	S	*	5/2020	Lu	D23/238
D890,302	S	*	7/2020	Chen	D23/238
D895,068	S	*	9/2020	Johnson	D23/238
2016/0145840	A1	*	5/2016	de Swarte	E03C 1/0412 137/625.4

OTHER PUBLICATIONS

Forious Kitchen Fsucet, announced Sep. 20, 2019[online], [site visited date], Available from internet, URL:<<https://www.amazon.com/Stainless-Kitchen-Sprayer-Commercial-FORIOUS/dp/B07Y4Y88Y6>> (Year: 2019).*

* cited by examiner

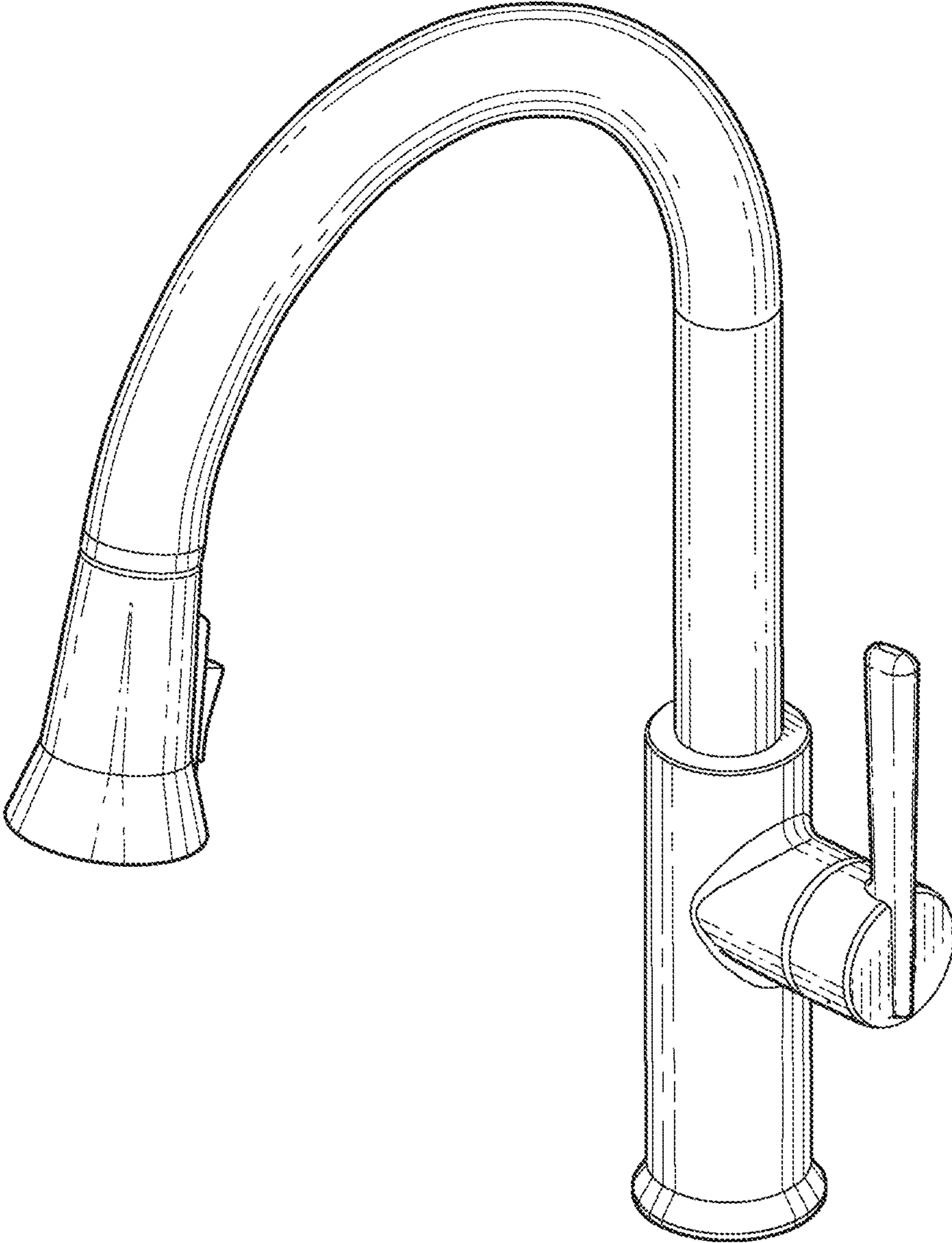


Fig-1

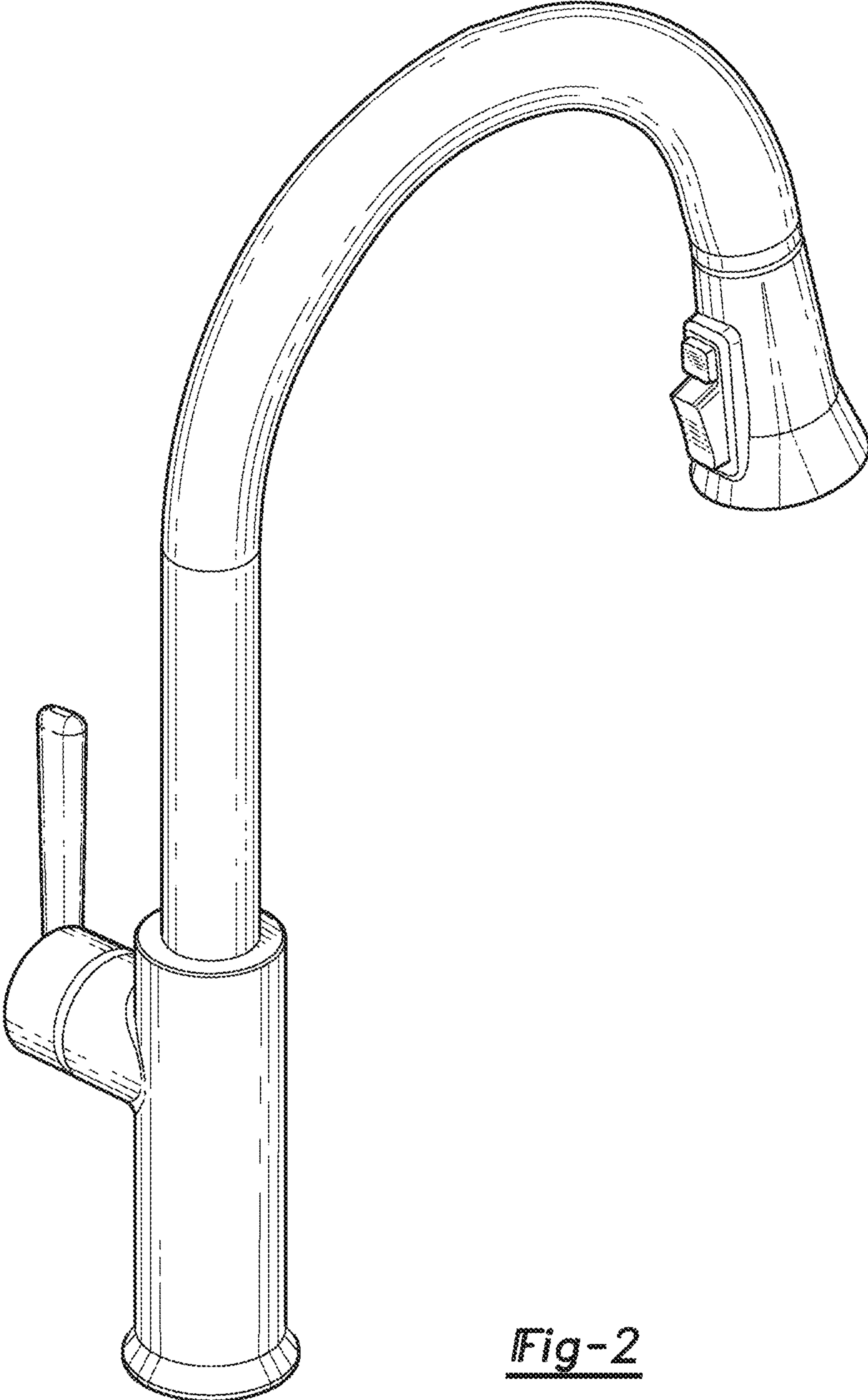


Fig-2

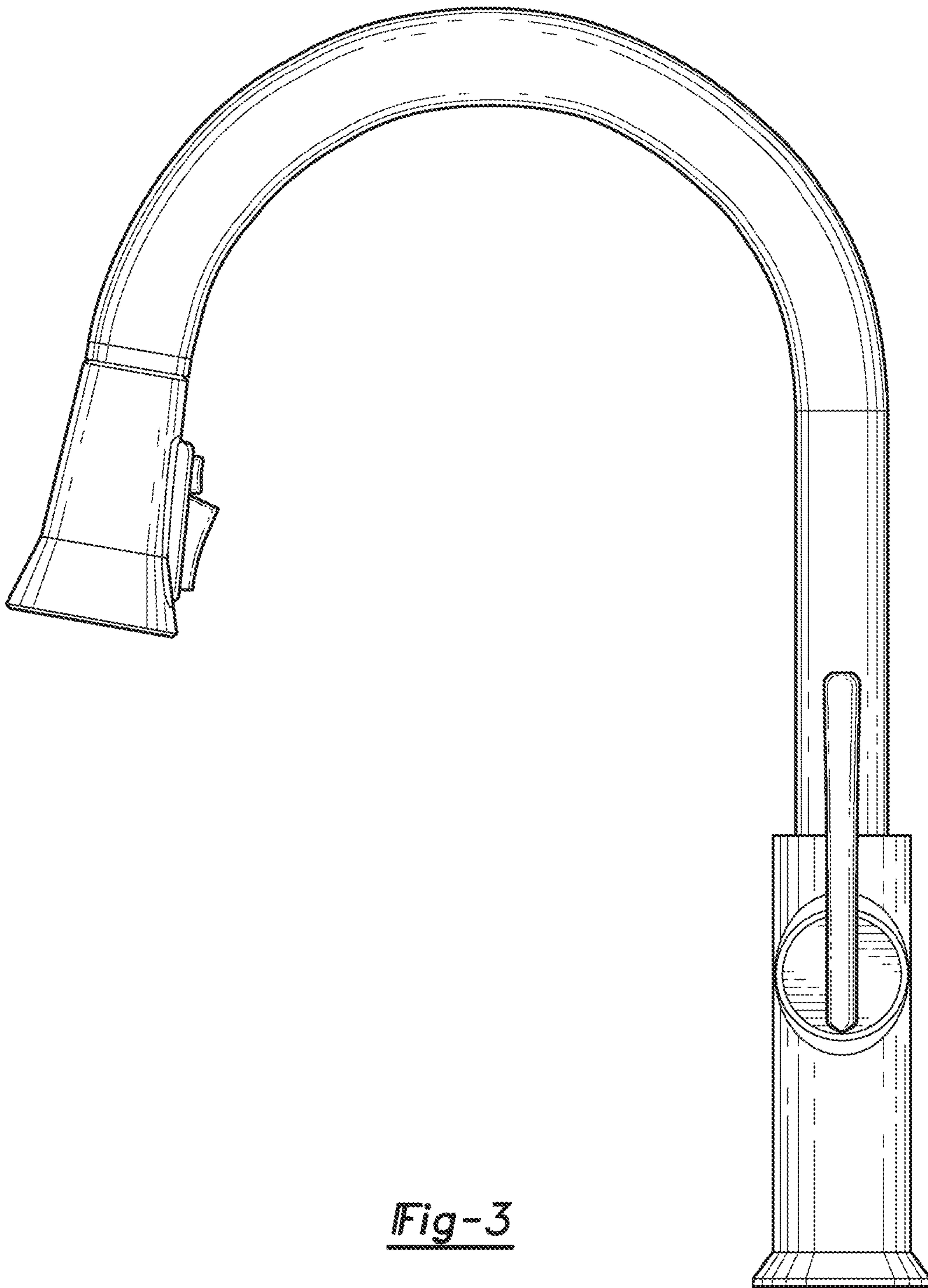


Fig-3

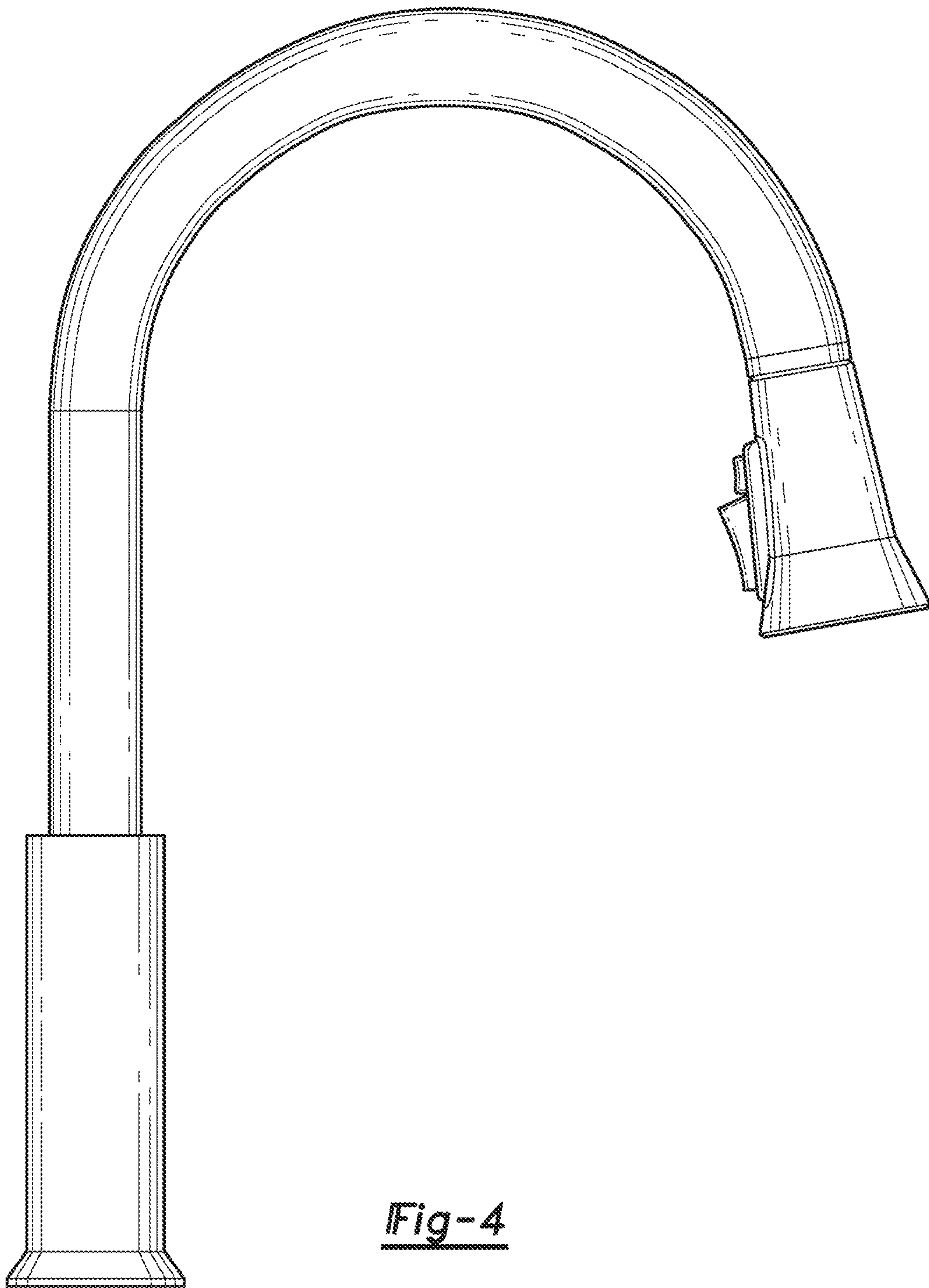


Fig-4

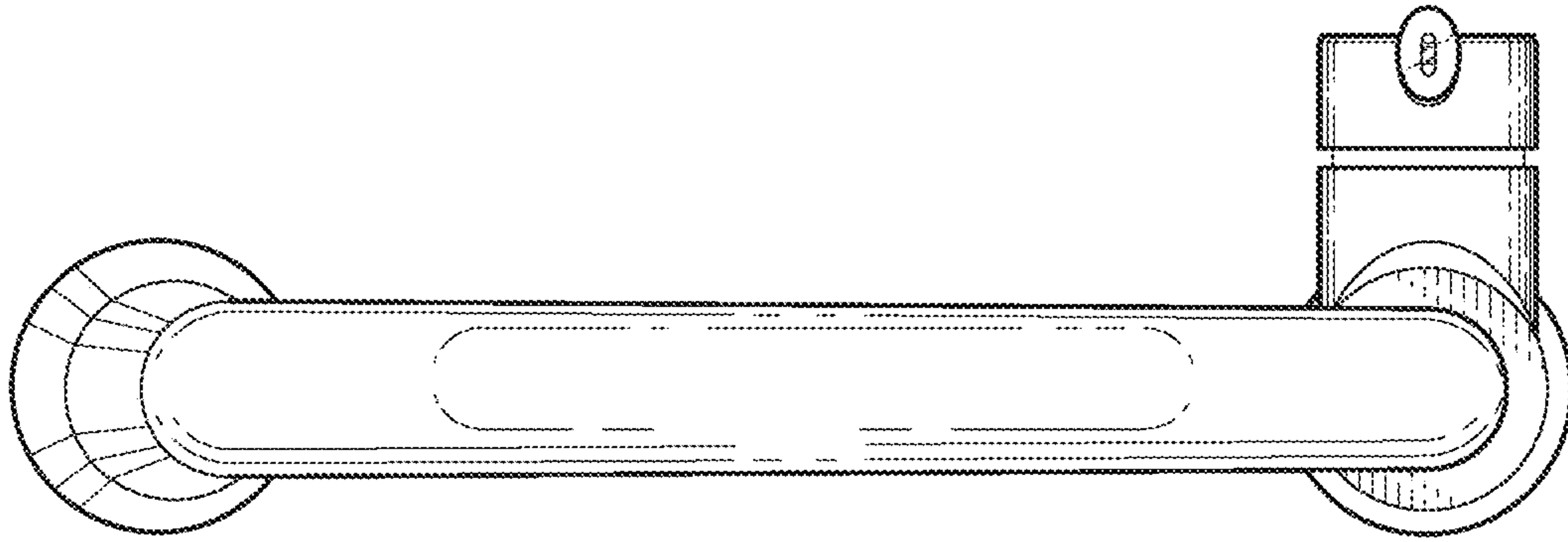


Fig-5

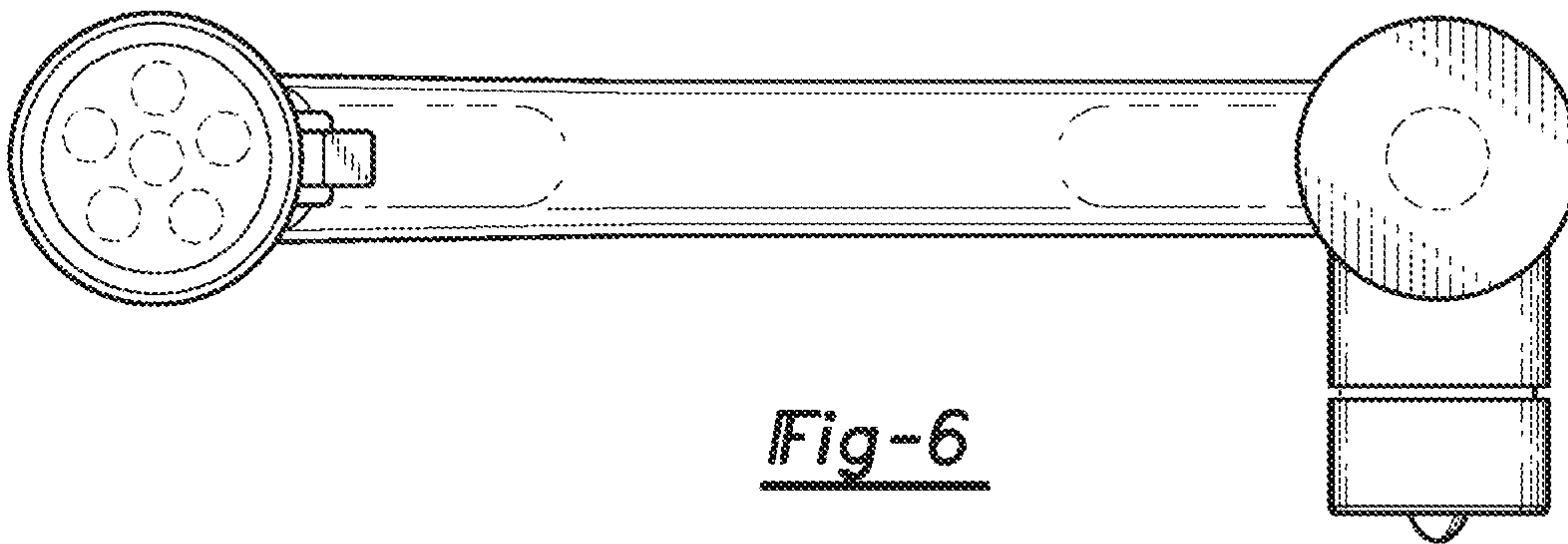


Fig-6

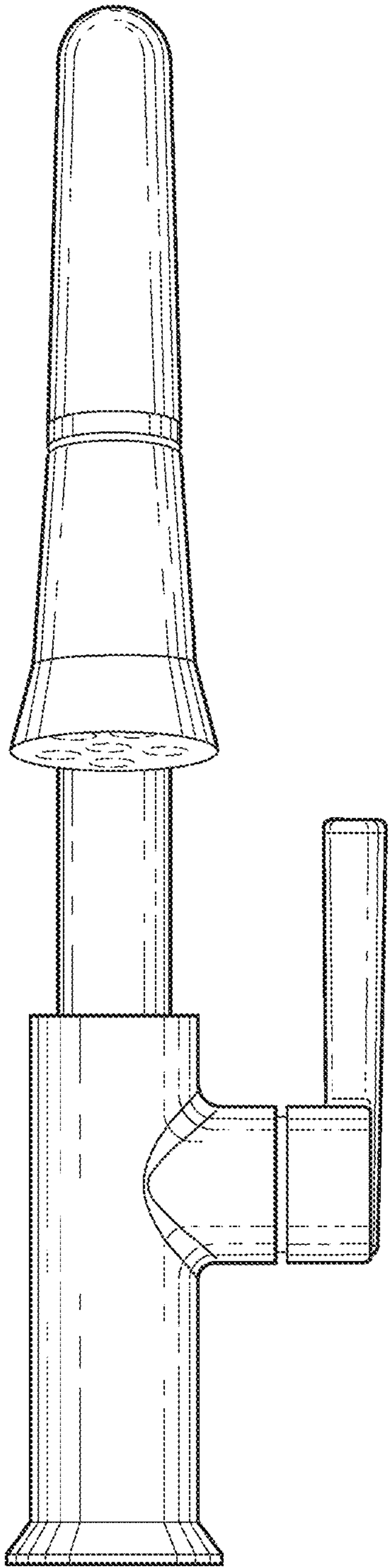


Fig-7

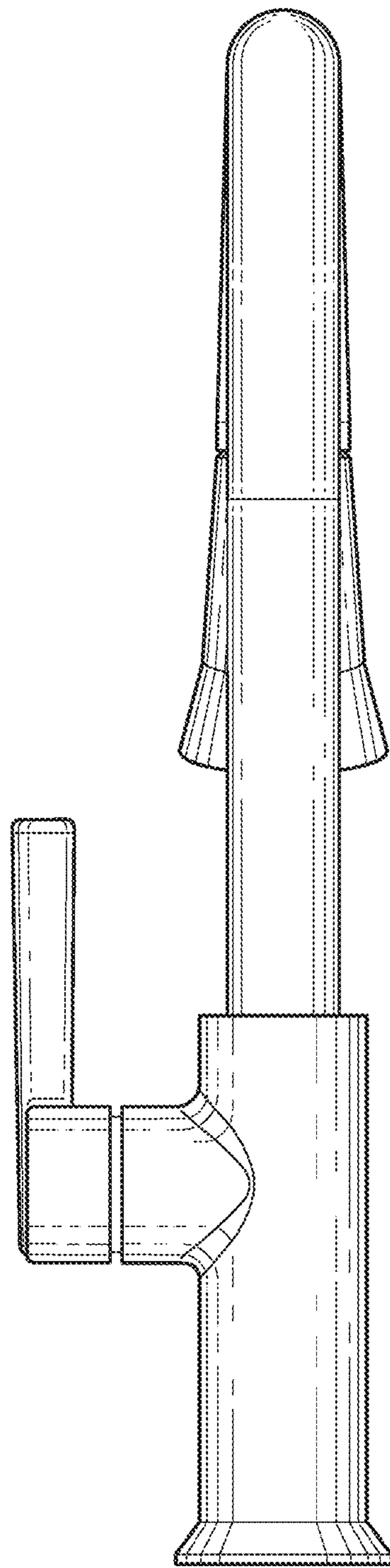


Fig-8