



US00D931417S

(12) **United States Design Patent**
Lazarini

(10) **Patent No.:** **US D931,417 S**

(45) **Date of Patent:** **** Sep. 21, 2021**

- (54) **FAUCET**
- (71) Applicant: **DELTA FAUCET COMPANY,**
Indianapolis, IN (US)
- (72) Inventor: **Alejandra Lazarini,** Carmel, IN (US)
- (73) Assignee: **DELTA FAUCET COMPANY,**
Indianapolis, IN (US)
- (**) Term: **15 Years**
- (21) Appl. No.: **29/719,811**
- (22) Filed: **Jan. 8, 2020**
- (51) **LOC (13) Cl.** **23-01**
- (52) **U.S. Cl.**
USPC **D23/238**
- (58) **Field of Classification Search**
USPC D23/238–244, 252, 254–255, 257;
D8/307–308
CPC F16K 31/602; F16K 31/605; F16K 31/607;
E03C 1/0412
See application file for complete search history.

D862,649 S *	10/2019	Meyers	D23/238
D862,650 S *	10/2019	Meyers	D23/238
D873,964 S *	1/2020	Soulier	D23/238
D900,968 S *	11/2020	Garland	D23/238
D908,193 S *	1/2021	Rockwell	D23/238
D914,142 S *	3/2021	Zhu	D23/238
D914,845 S *	3/2021	Garland	D23/238

FOREIGN PATENT DOCUMENTS

CN 305782271 * 12/2019

OTHER PUBLICATIONS

Moen 6710 Vichy One-Handle Single Hole Modern Bathroom Faucet, first available Dec. 22, 2016[online], [site visited May 5, 2021]. Available from internet, URL:< <https://www.amazon.com/Moen-6710-One-Handle-Single-Bathroom/dp/B01N0TDSIB>> (Year: 2016).*

(Continued)

Primary Examiner — Barbara Fox
Assistant Examiner — Jamaal Rasheed
(74) *Attorney, Agent, or Firm* — Nirav D. Parikh; Edgar A. Zarins

(57) **CLAIM**

The ornamental design for a faucet, as shown and described.

DESCRIPTION

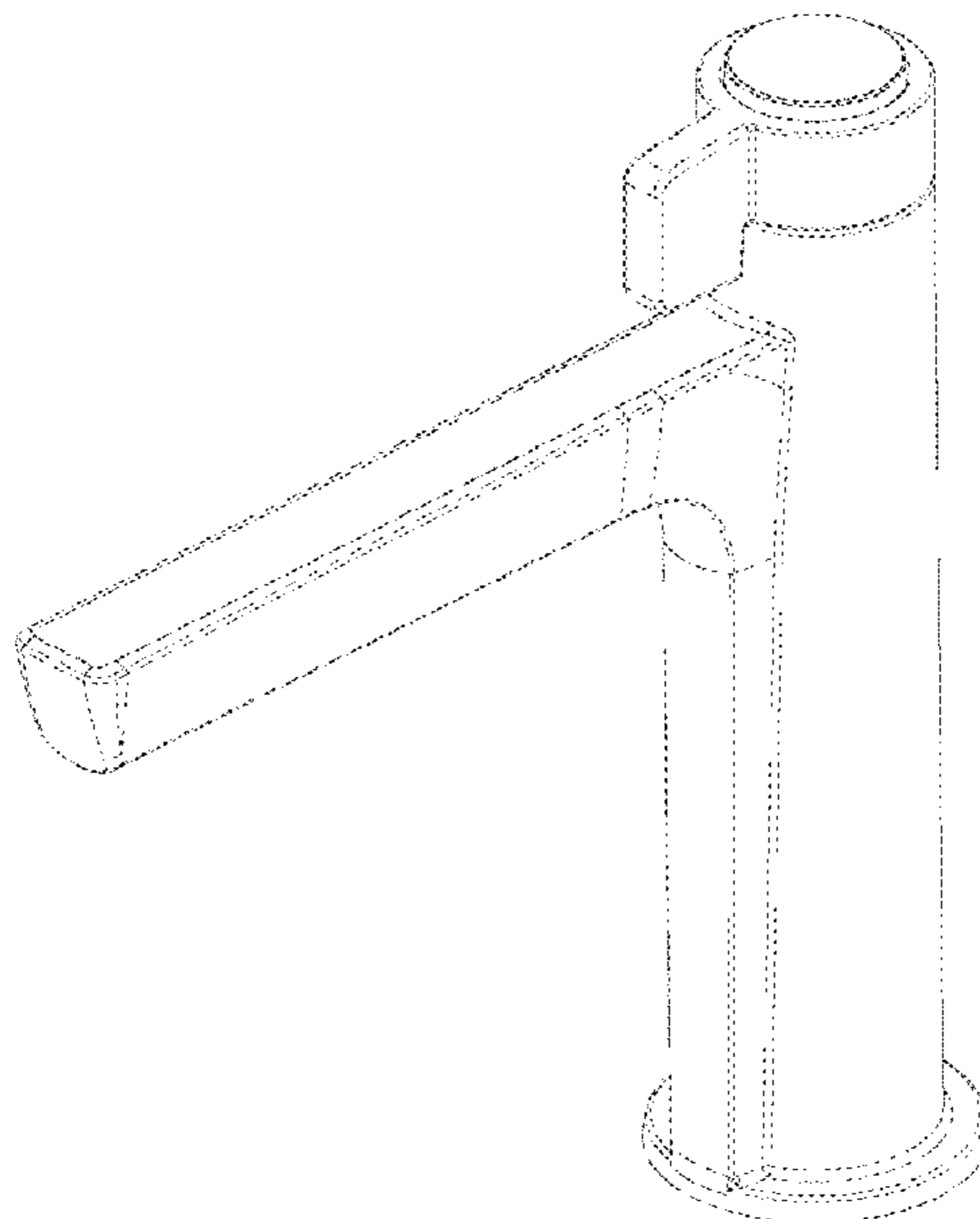
FIG. 1 is a front perspective view of a faucet showing my new design;
FIG. 2 is a rear perspective view thereof;
FIG. 3 is a front elevational view thereof;
FIG. 4 is a left side view thereof;
FIG. 5 is a rear view thereof;
FIG. 6 is a right side view thereof;
FIG. 7 is a top plan view thereof; and,
FIG. 8 is a bottom view thereof.

1 Claim, 4 Drawing Sheets

(56) **References Cited**

U.S. PATENT DOCUMENTS

D636,061 S *	4/2011	Kulig	D23/238
D636,062 S *	4/2011	Rubin	D23/238
D644,300 S *	8/2011	Yokoyama	D23/238
D662,183 S *	6/2012	Sieger	D23/238
D684,243 S *	6/2013	Lord	D23/238
D750,203 S *	2/2016	Flowers	D23/238
D771,224 S *	11/2016	Flowers	D23/238
D809,104 S *	1/2018	Schoenherr	D23/238
D809,628 S *	2/2018	Schoenherr	D23/238
D811,529 S *	2/2018	Schoenherr	D23/238
D811,532 S *	2/2018	Schoenherr	D23/238
D828,502 S *	9/2018	Schoenherr	D23/238
D828,505 S *	9/2018	Schoenherr	D23/238
D846,701 S *	4/2019	Liu	D23/238



(56)

References Cited

OTHER PUBLICATIONS

Delta Faucet RP84828 Zura Roman Tub Spout-3 Hole, Chrome, first available Sep. 19, 2016[online], [site visited May 5, 2021]. Available from internet, URL:< <https://www.amazon.com/Delta-Faucet-RP84828-Roman-Spout/dp/B01N17KIZS>> (Year: 2016).*

* cited by examiner

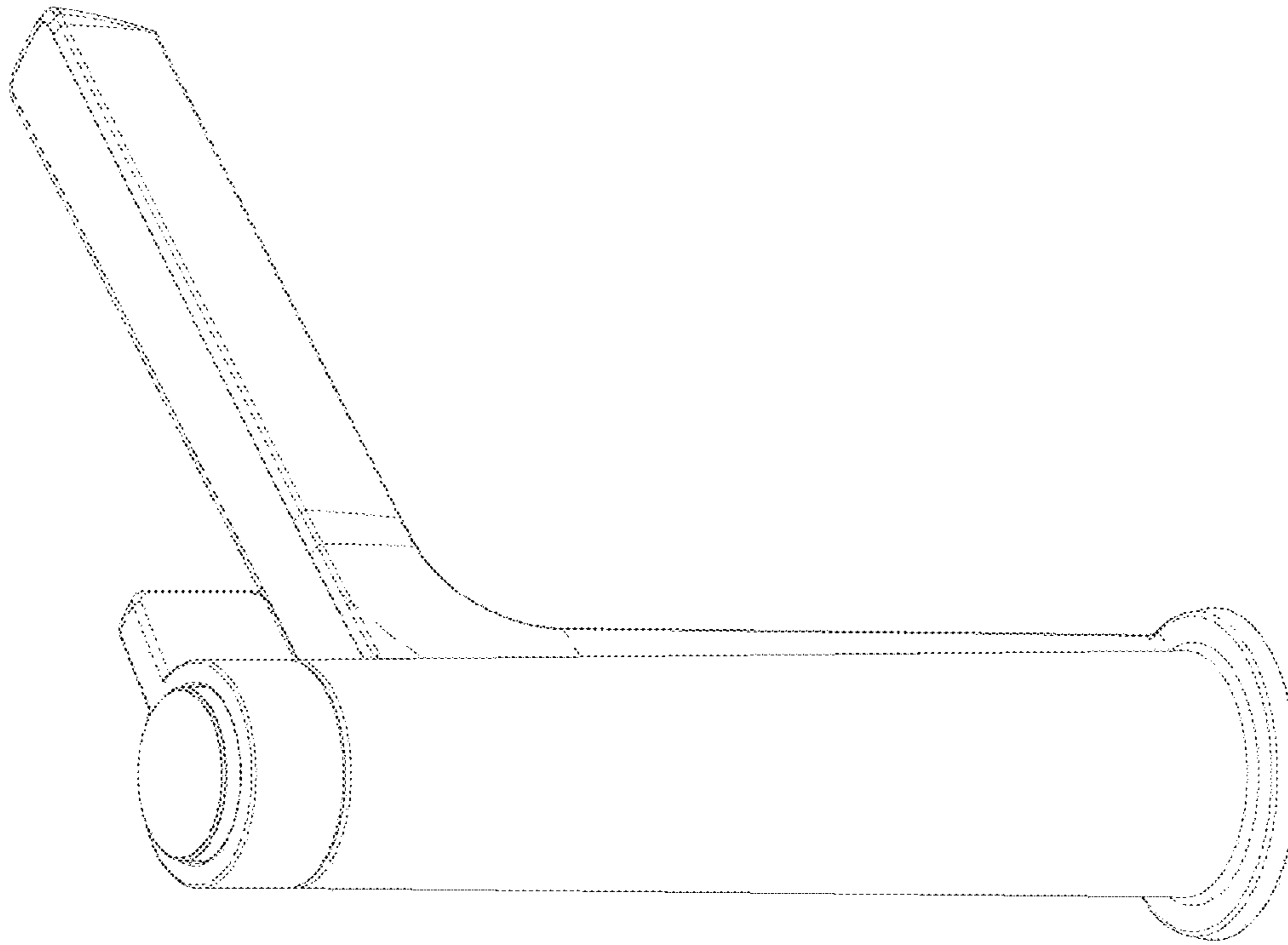


FIG. - 2

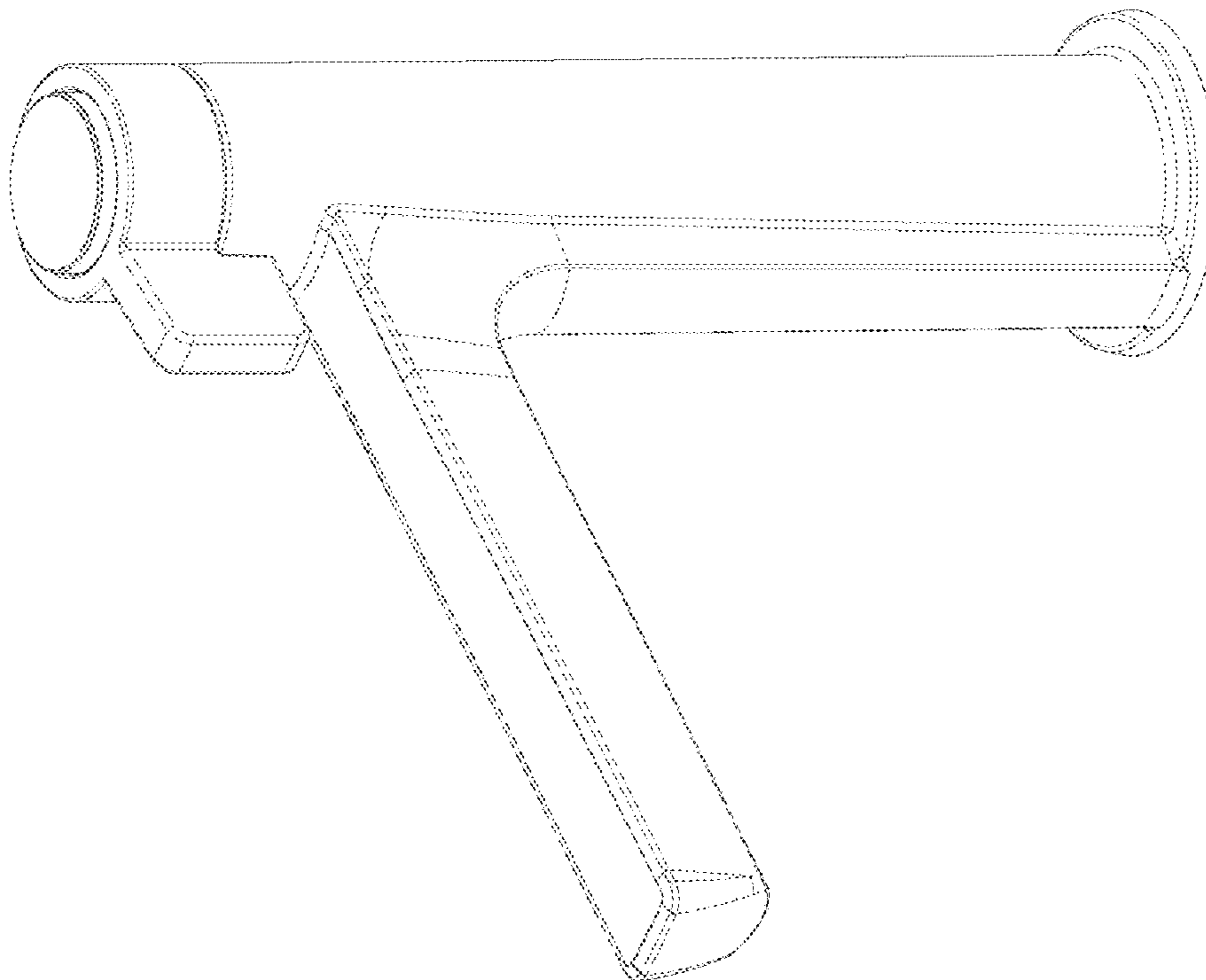


FIG. - 1

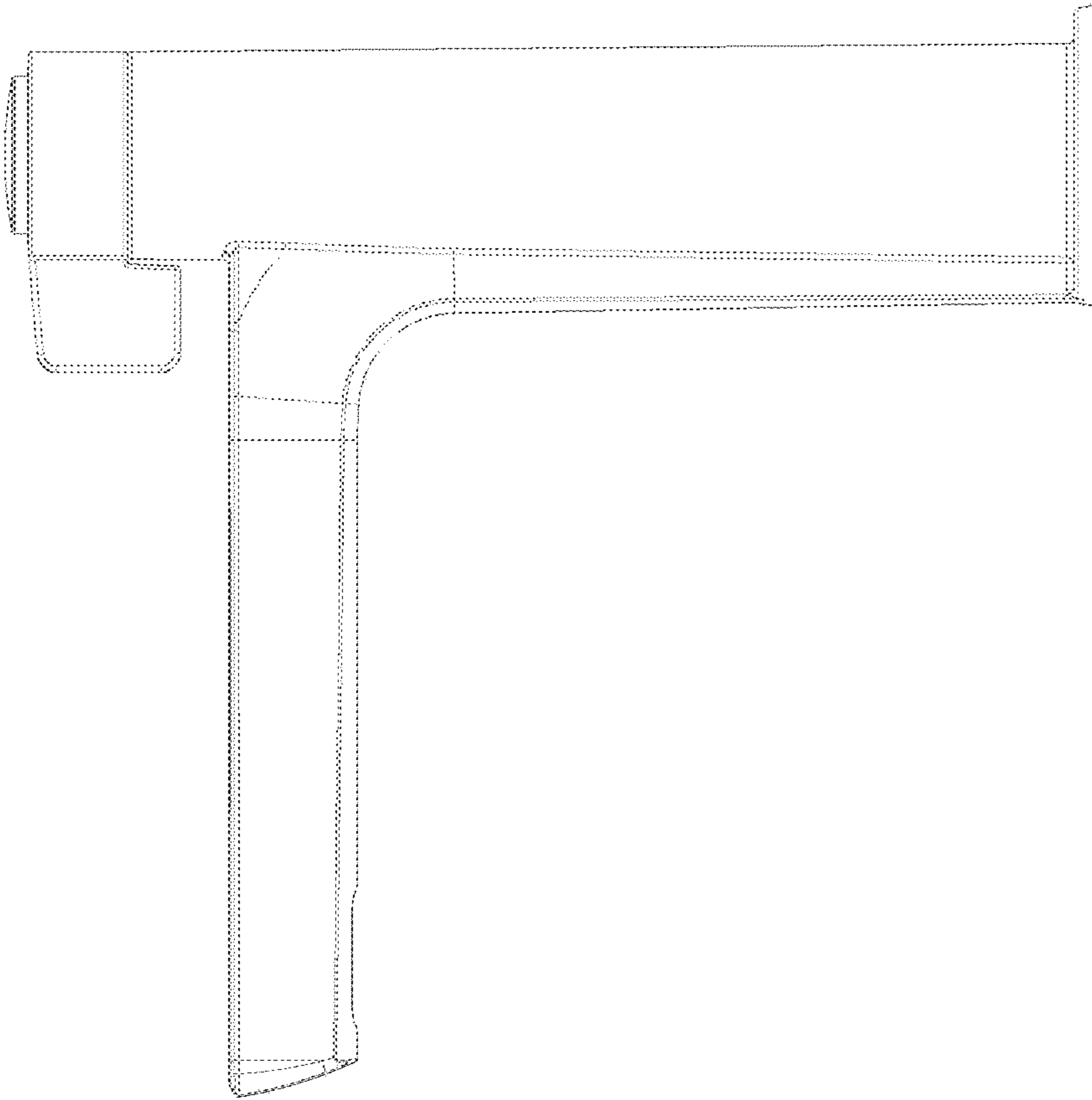


FIG - 4

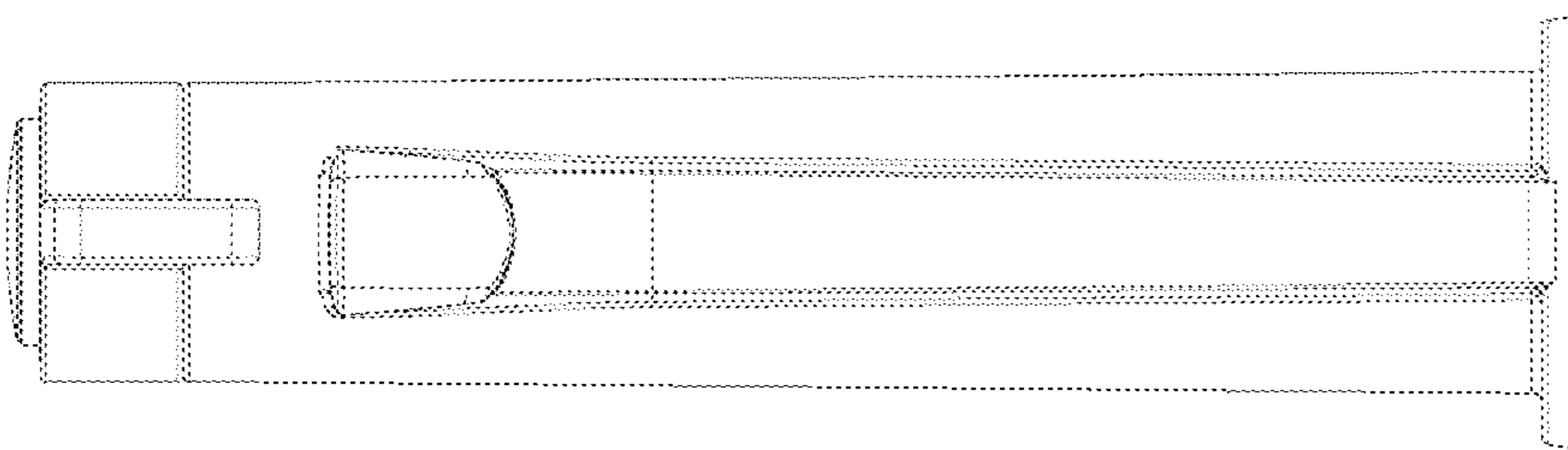


FIG - 3

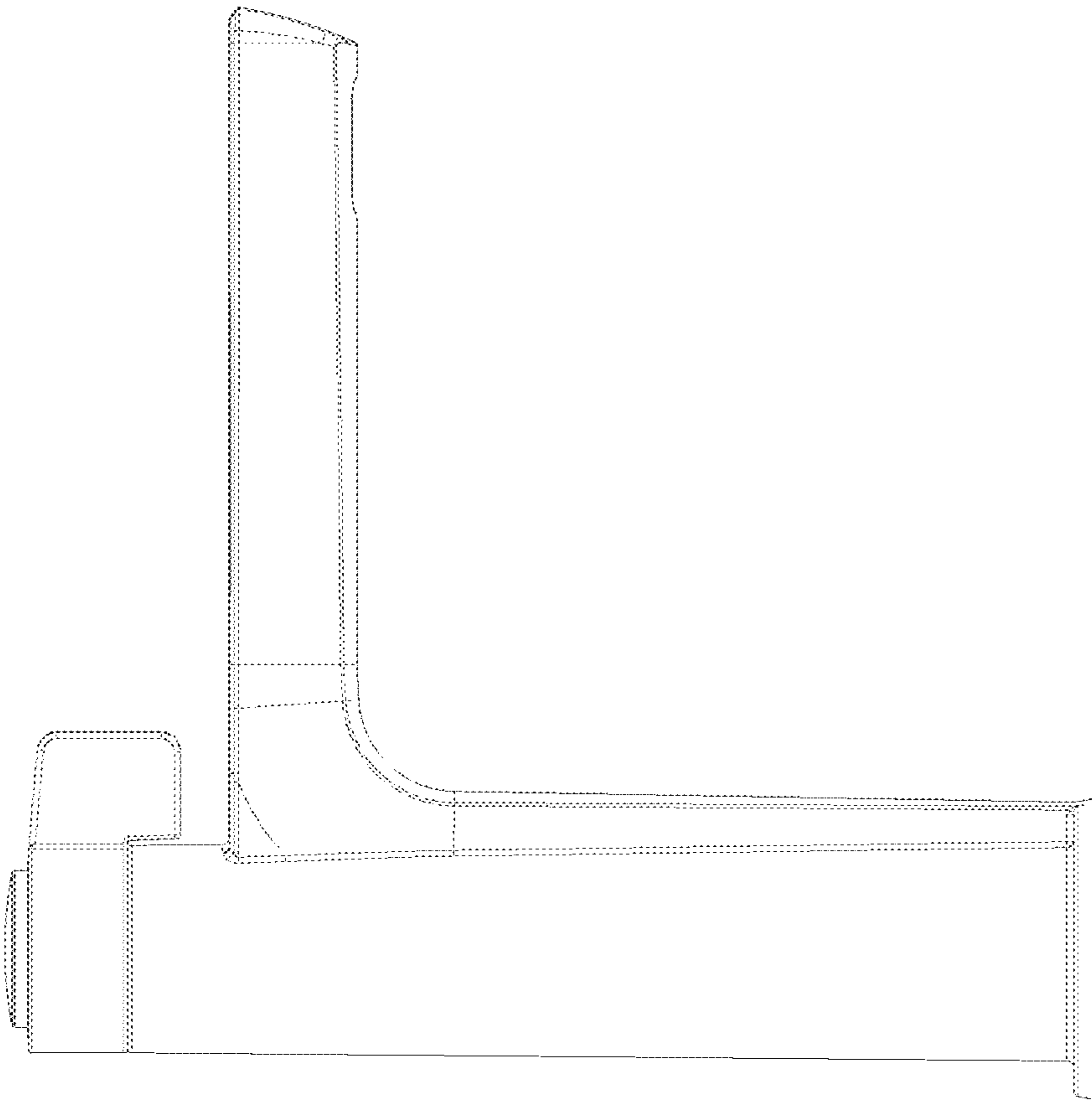


FIG - 6

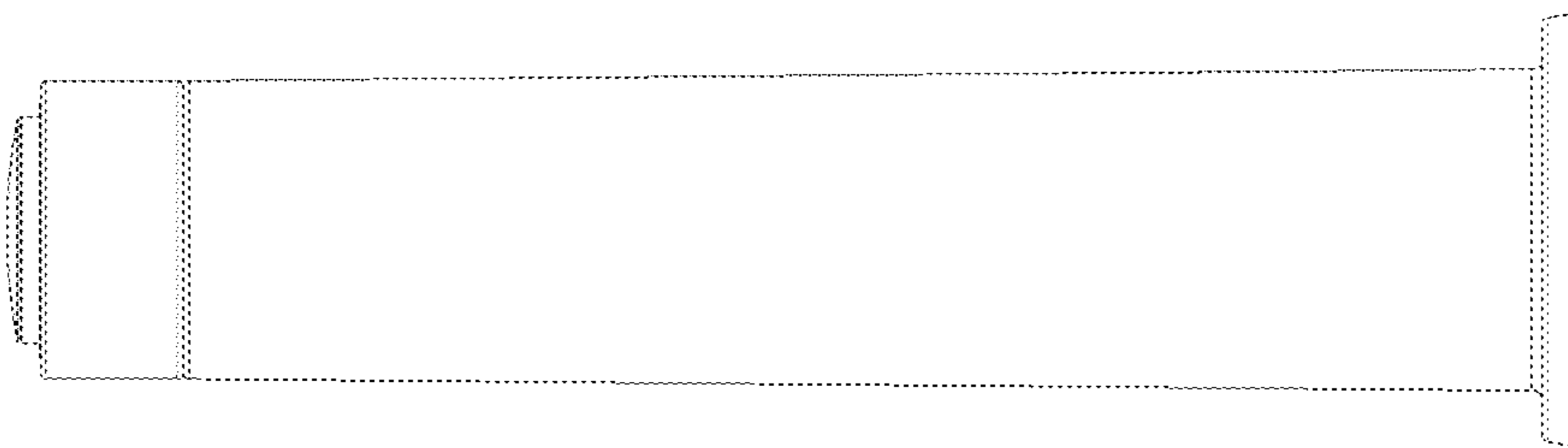


FIG - 5

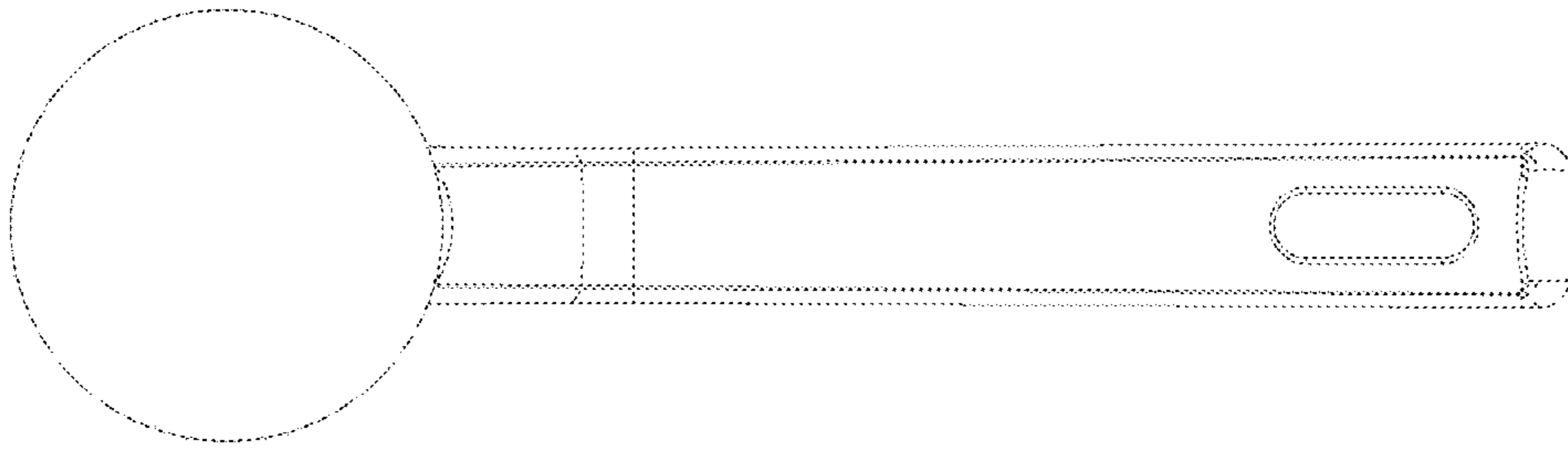


FIG. - 8

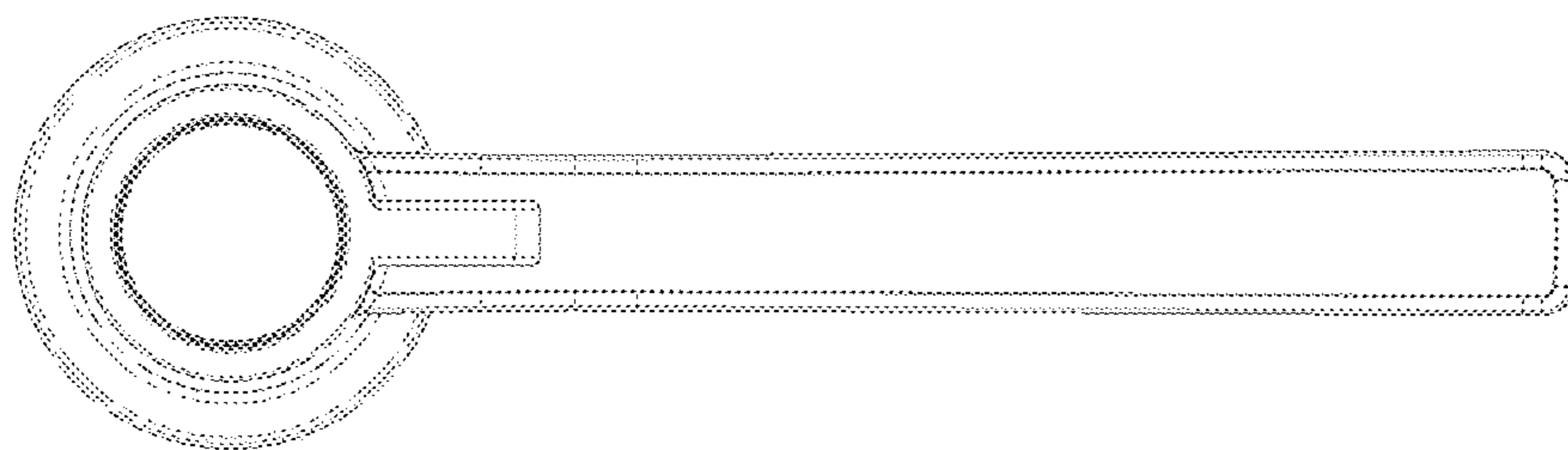


FIG. - 7