



US00D931416S

(12) **United States Design Patent** (10) **Patent No.:** **US D931,416 S**
Chen (45) **Date of Patent:** **** Sep. 21, 2021**

(54) **FAUCET**

(71) Applicant: **Yun Chen**, Ruian (CN)

(72) Inventor: **Yun Chen**, Ruian (CN)

(**) Term: **15 Years**

(21) Appl. No.: **29/692,525**

(22) Filed: **May 26, 2019**

(51) **LOC (13) Cl.** **23-01**

(52) **U.S. Cl.**
USPC **D23/238**

(58) **Field of Classification Search**
USPC D23/238, 239, 240, 241, 242, 243, 249,
D23/255, 256, 257; D6/524
CPC E03C 1/04; E03C 1/0401; E03C 1/0402;
E03C 1/0404; E03C 1/0405; E03C
1/0412; Y10T 137/9464
See application file for complete search history.

(56) **References Cited**

U.S. PATENT DOCUMENTS

D534,620 S *	1/2007	Zhou	D23/238
D534,990 S *	1/2007	Zhou	D23/238
D786,404 S *	5/2017	Kaule	D23/238
D802,720 S *	11/2017	Haug	D23/238
D807,989 S *	1/2018	Kaule	D23/213
D820,401 S *	6/2018	Zeng	D23/238
D844,109 S *	3/2019	Rexach	D23/238
D857,844 S *	8/2019	Levi	D23/238
D861,832 S *	10/2019	Zeng	D23/238
D862,647 S *	10/2019	Zeng	D23/238
D862,648 S *	10/2019	Zeng	D23/238
D862,652 S *	10/2019	Zeng	D23/238
D863,505 S *	10/2019	Zeng	D23/238

OTHER PUBLICATIONS

Commercial-Style Single-Handle Pull-Down Kitchen Faucet with Pre-Rinse Sprayer in Stainless Steel by KRAUS [Jul. 21, 2020] found online [Jul. 21, 2020]—<https://www.homedepot.com/p/KRAUS-Commercial-Style-Single-Handle-Pull-Down-Kitchen-Faucet-with-Pre-Rinse-Sprayer-in-Stainless-Steel-KPF-1602SS/205331103>.*

* cited by examiner

Primary Examiner — John A Voytek

(74) *Attorney, Agent, or Firm* — Law Offices of Steven W. Weinrieb

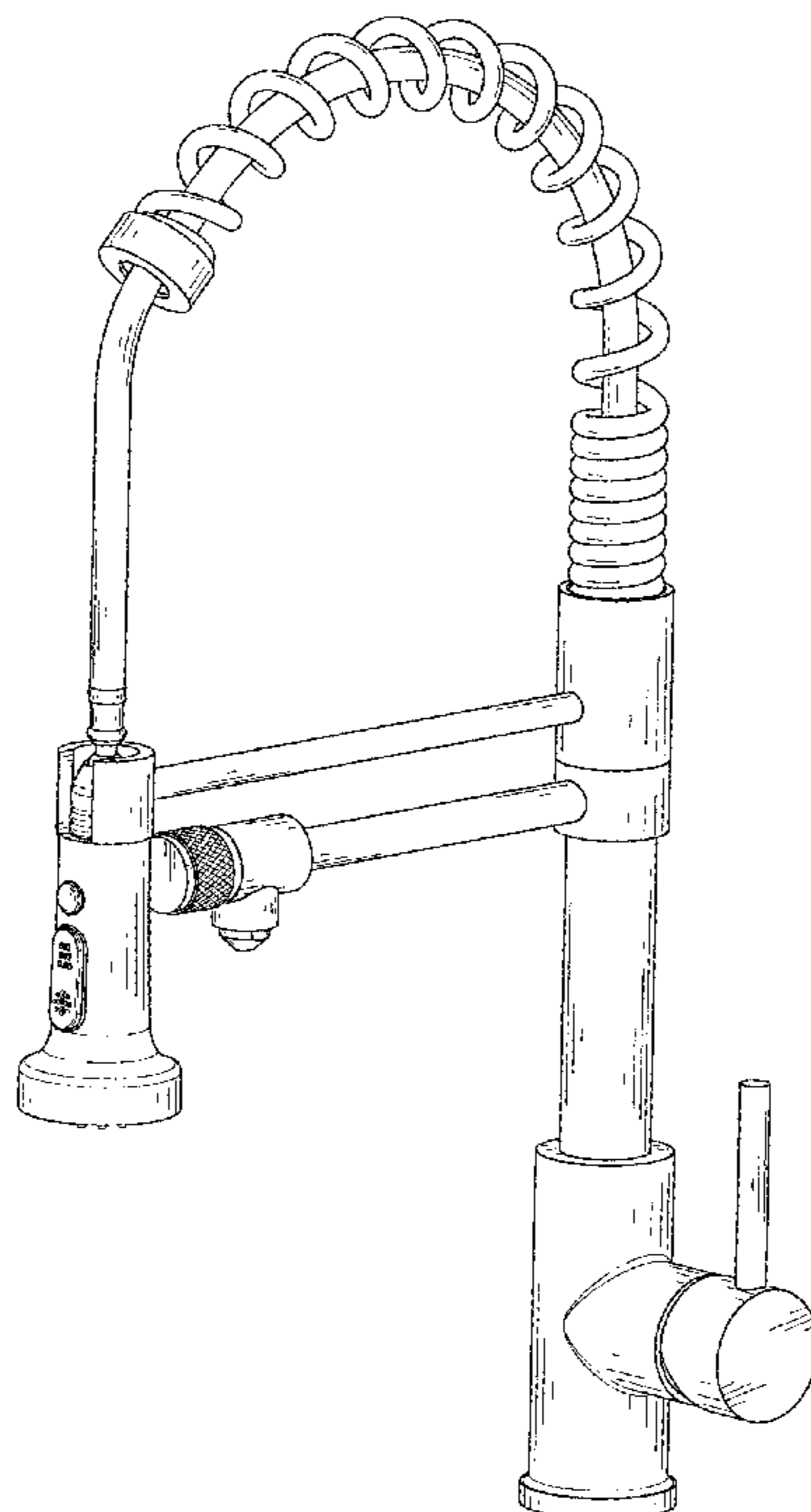
(57) **CLAIM**

The ornamental design for a faucet, as shown and described.

DESCRIPTION

FIG. 1 is a front, right side, top perspective view of a faucet showing my new design; FIG. 2 is a rear, left side, bottom perspective view thereof; FIG. 3 is a front elevational view thereof; FIG. 4 is a rear elevational view thereof; FIG. 5 is a left side elevational view thereof; FIG. 6 is a right side elevational view thereof; FIG. 7 is a top plan view thereof; and, FIG. 8 is a bottom plan view thereof. The broken lines immediately adjacent to the claimed portions are boundaries, all other broken lines are environmental structures; all the broken lines form no part of the claimed design.

1 Claim, 8 Drawing Sheets



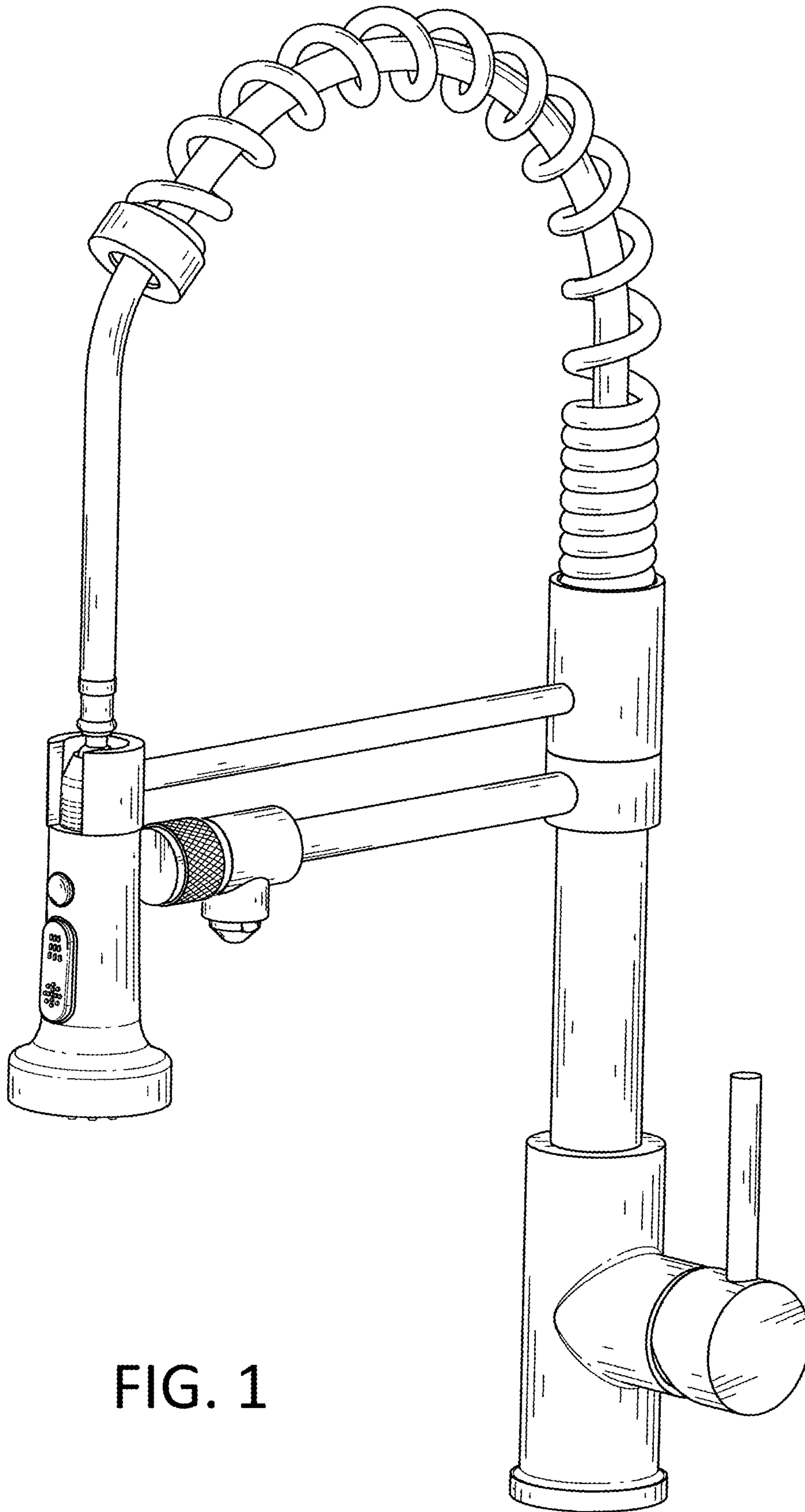


FIG. 1

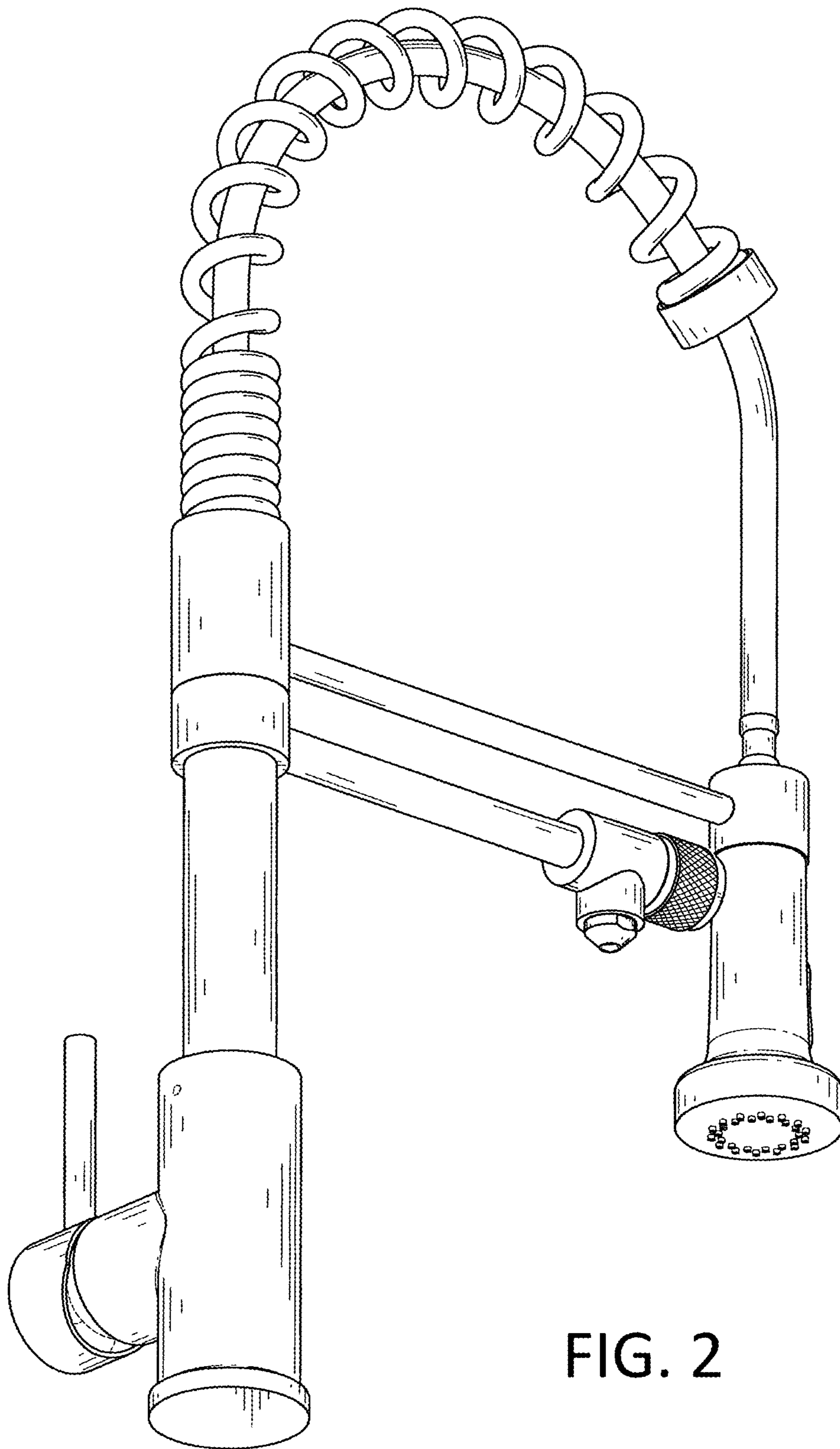


FIG. 2

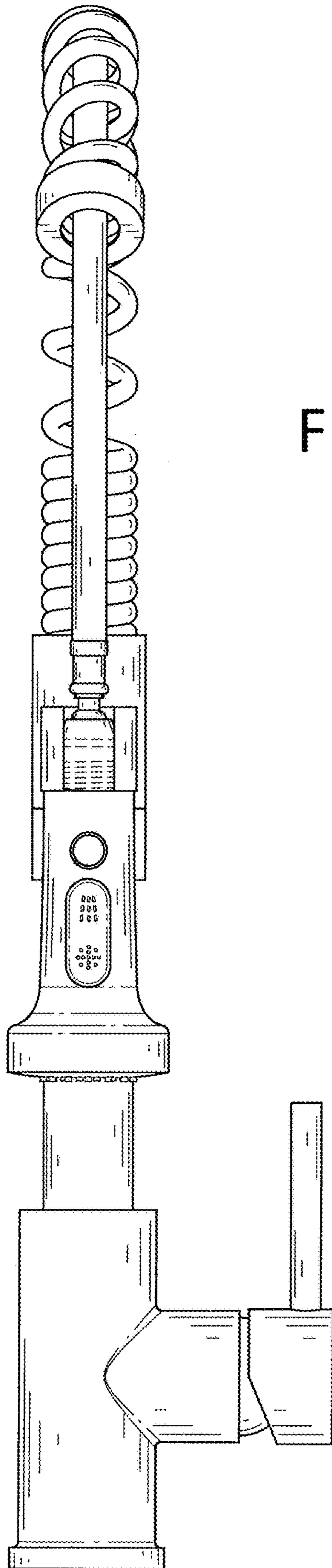
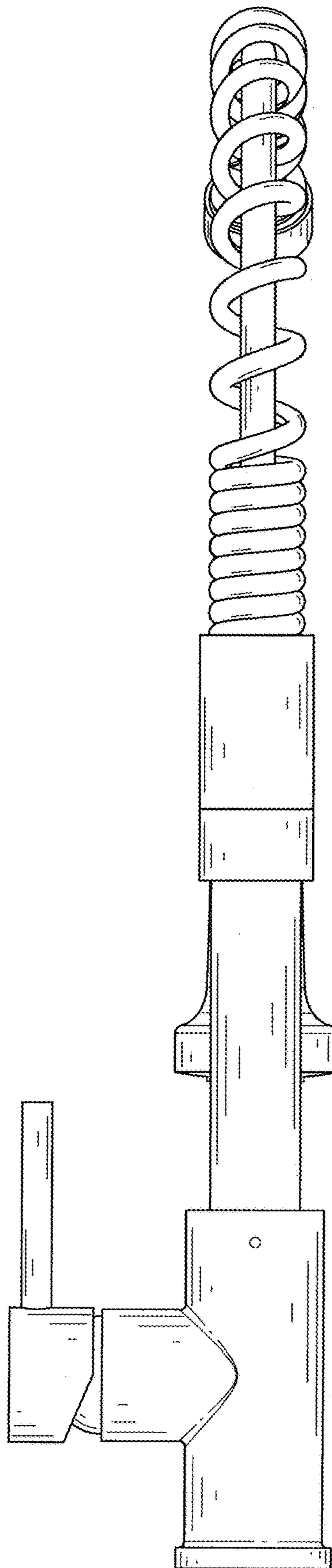


FIG. 3

FIG. 4



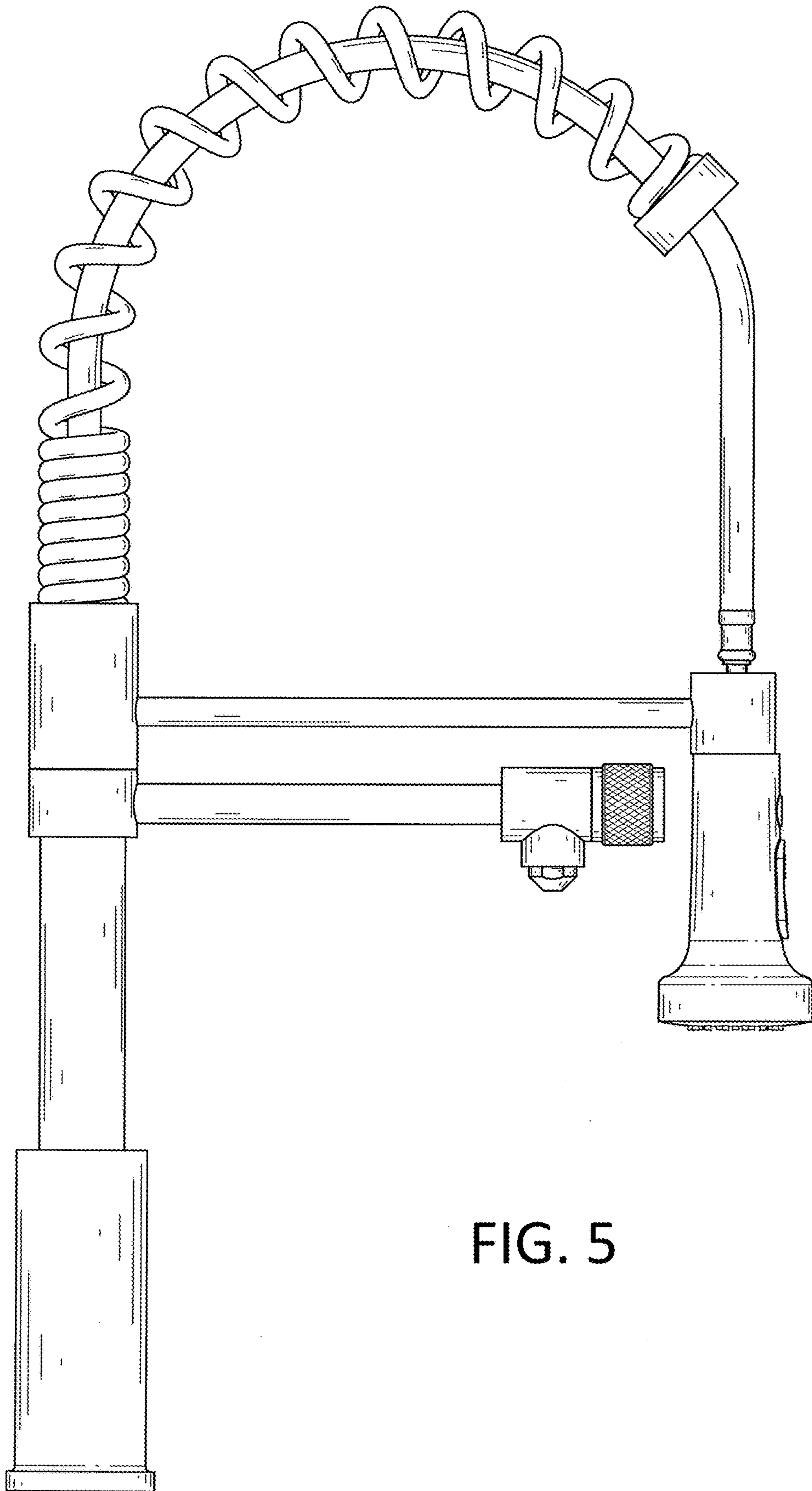


FIG. 5

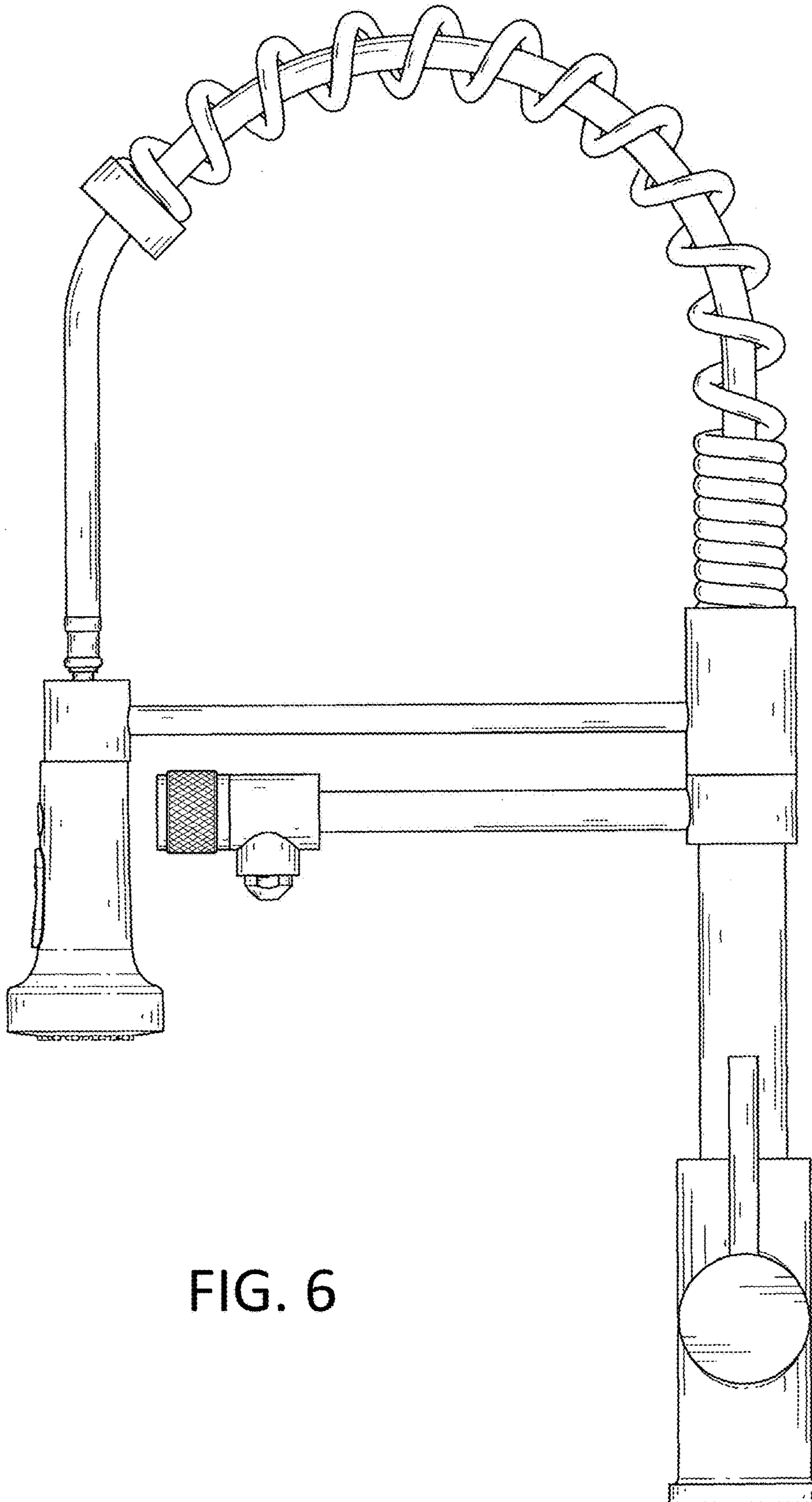


FIG. 6

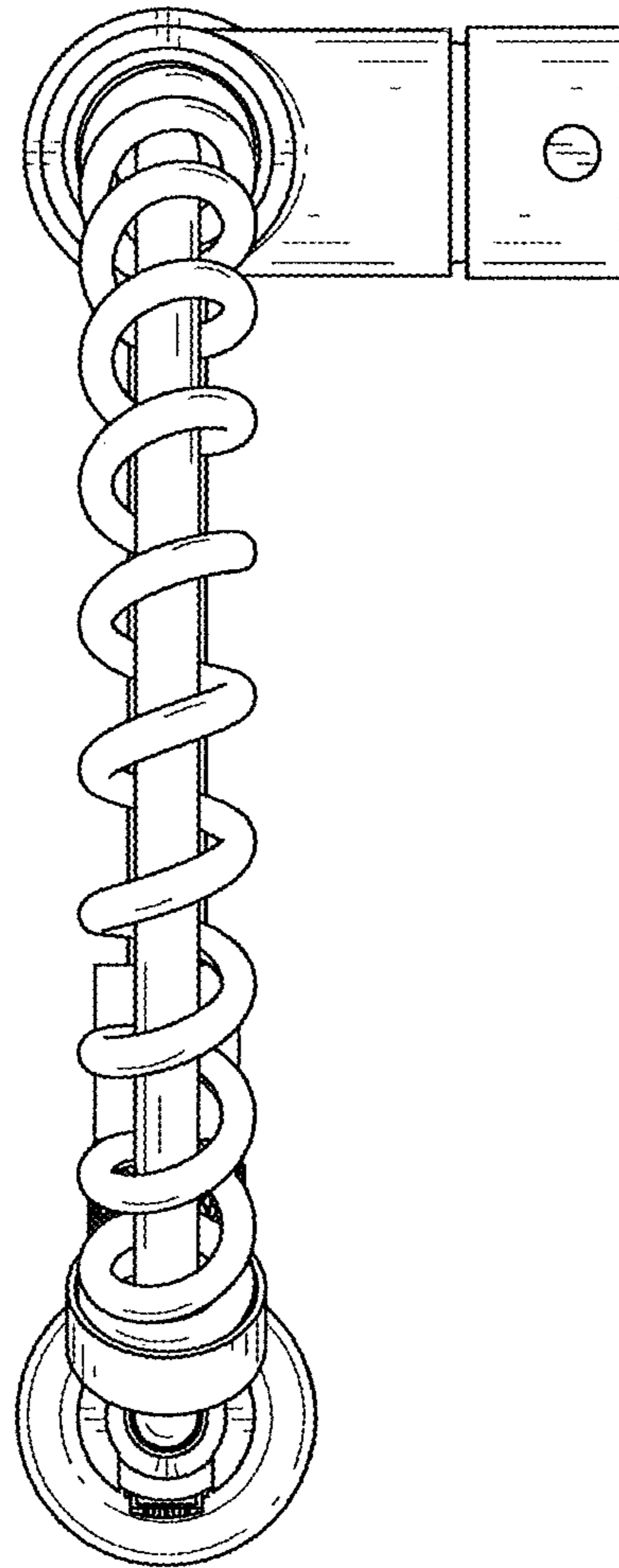


FIG. 7

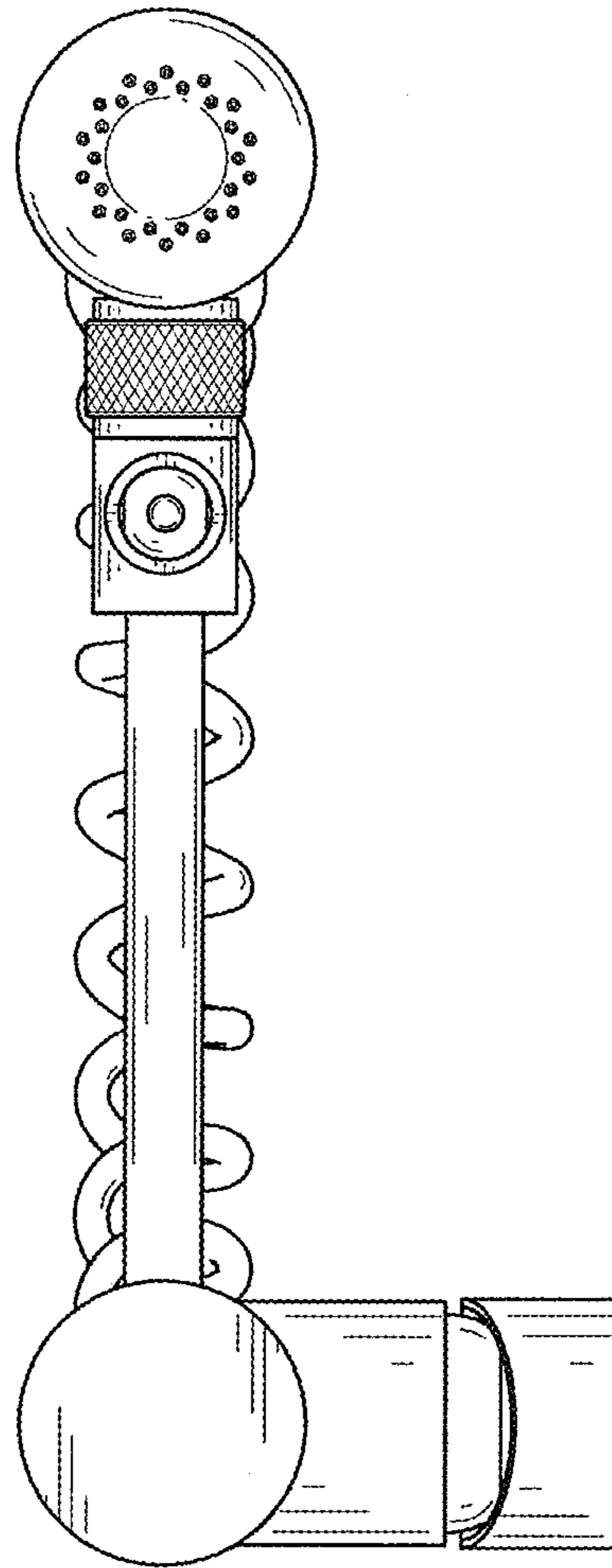


FIG. 8