



US00D931414S

(12) **United States Design Patent**
Chen

(10) **Patent No.:** **US D931,414 S**

(45) **Date of Patent:** **** Sep. 21, 2021**

(54) **HANDHELD MULTI-SECTIONAL WATER SPRAYER**

(71) Applicant: **SHIN TAI SPURT WATER OF THE GARDEN TOOLS CO., LTD.,**
Chang-Hua Hsien (TW)

(72) Inventor: **Chin-Yuan Chen,** Chang-Hua Hsien (TW)

(73) Assignee: **SHIN TAI SPURT WATER OF THE GARDEN TOOLS CO., LTD.,**
Chang-Hua Hsien (TW)

(**) Term: **15 Years**

(21) Appl. No.: **29/721,675**

(22) Filed: **Jan. 22, 2020**

(51) **LOC (13) Cl.** **23-01**

(52) **U.S. Cl.**
USPC **D23/226**

(58) **Field of Classification Search**
USPC D23/213, 223, 226, 229
CPC B05B 12/002; B05B 12/0022; B05B 12/0024; B05B 12/0026; B05B 9/01
See application file for complete search history.

(56) **References Cited**

U.S. PATENT DOCUMENTS

D225,736	S	*	1/1973	Mango et al.	D23/226
D340,762	S	*	10/1993	Wang	D23/226
5,348,228	A	*	9/1994	Wang	B05B 1/16 239/394
D379,491	S	*	5/1997	Goodin	D23/226
D383,522	S	*	9/1997	Guo	D23/226
D384,398	S	*	9/1997	Wang	D23/223
D390,635	S	*	2/1998	Guo	D23/223
D391,627	S	*	3/1998	Goodin	D23/226
D392,719	S	*	3/1998	Guo	D23/223
D404,798	S	*	1/1999	Goodin	D23/226

D408,496	S	*	4/1999	Wang	D23/226
D426,285	S	*	6/2000	Heren	D23/226
6,193,171	B1	*	2/2001	Albertson	B05B 3/04 239/381
D471,957	S	*	3/2003	Nien	D23/226
D479,575	S	*	9/2003	Chen	D23/226
D534,240	S	*	12/2006	Wang	D23/226
D537,504	S	*	2/2007	Luo	D23/226
D553,712	S	*	10/2007	Chih	D23/226

(Continued)

OTHER PUBLICATIONS

“Melnor 65042-AMZ Metal 2 Pack”, Aug. 2, 2019, Amazon, site visited Feb. 3, 2021: <https://www.amazon.ca/dp/B07NW5DXLQ/> (Year: 2019).*

(Continued)

Primary Examiner — Jack Reickel

Assistant Examiner — Bobby W Jones, II

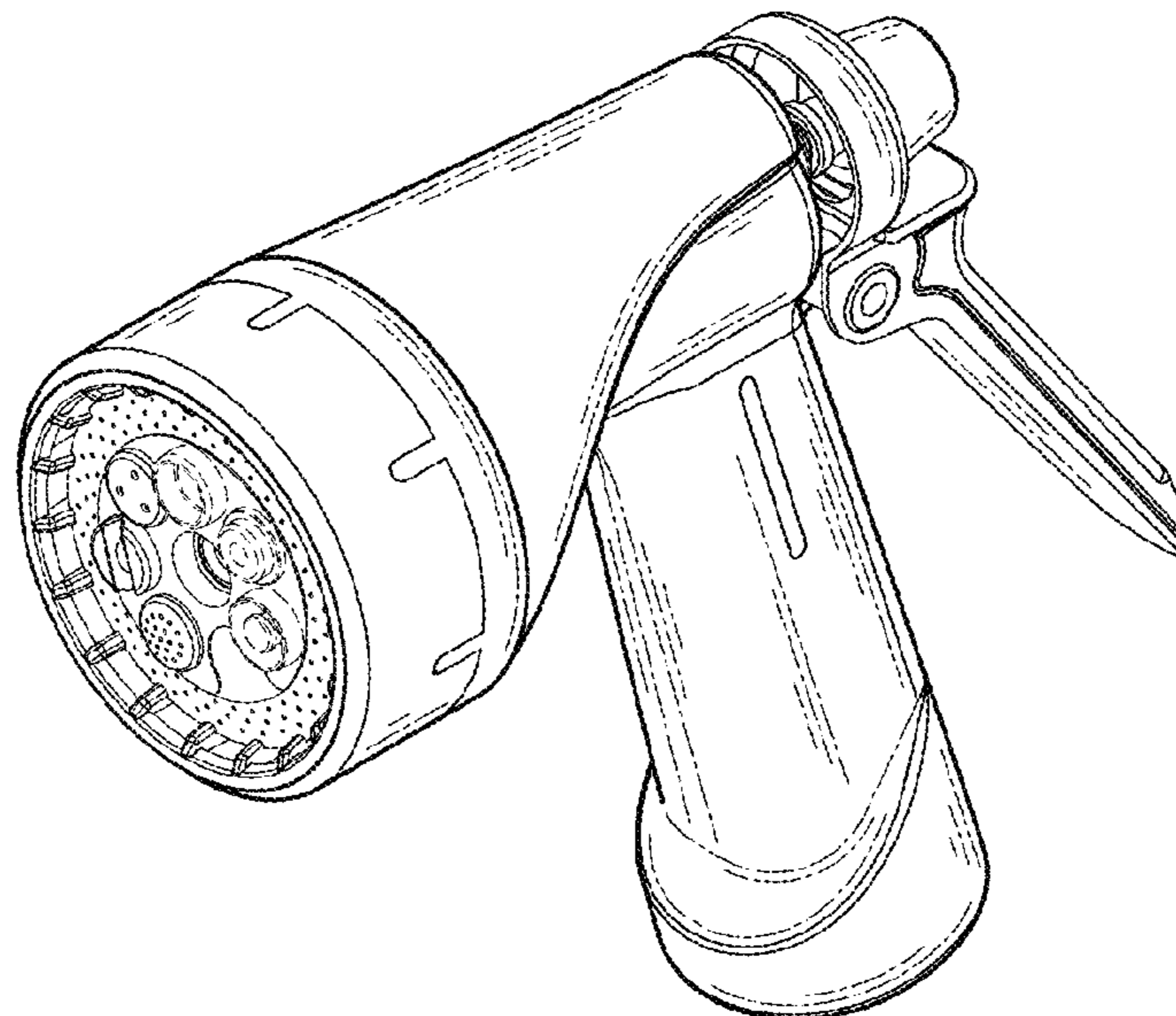
(57) **CLAIM**

The ornamental design for a handheld multi-sectional water sprayer, as shown and described.

DESCRIPTION

FIG. 1 is a perspective view of a handheld multi-sectional water sprayer showing my new design; FIG. 2 is a front elevational view thereof; FIG. 3 is a rear elevational view thereof; FIG. 4 is a left side elevational view thereof; FIG. 5 is a right side elevational view thereof; FIG. 6 is a top plan view thereof; FIG. 7 is a bottom plan view thereof; and, FIG. 8 is another perspective schematic view of a handheld multi-sectional water sprayer showing my design. The broken line showing of the handheld multi-sectional water sprayer is for the purpose of illustrating environmental structure and forms no part of the claimed design.

1 Claim, 5 Drawing Sheets



(56)

References Cited

U.S. PATENT DOCUMENTS

D557,768 S * 12/2007 Chih D23/226
D605,251 S * 12/2009 Zore D23/226
D779,040 S * 2/2017 Chen D23/226
D828,494 S * 9/2018 Horeth D23/223
D839,992 S * 2/2019 Svendsen D23/226
2007/0034719 A1 * 2/2007 Luo B05B 1/3046
239/526
2009/0224073 A1 * 9/2009 Hsieh B05B 1/169
239/394
2017/0128959 A1 * 5/2017 Chen B05B 1/169

OTHER PUBLICATIONS

“Maulee Garden Hose Nozzle”, Jun. 17, 2019, Amazon, site visited
Dec. 9, 2020: <https://www.amazon.ca/dp/B07SM5Y32D/> (Year:
2019).*

* cited by examiner

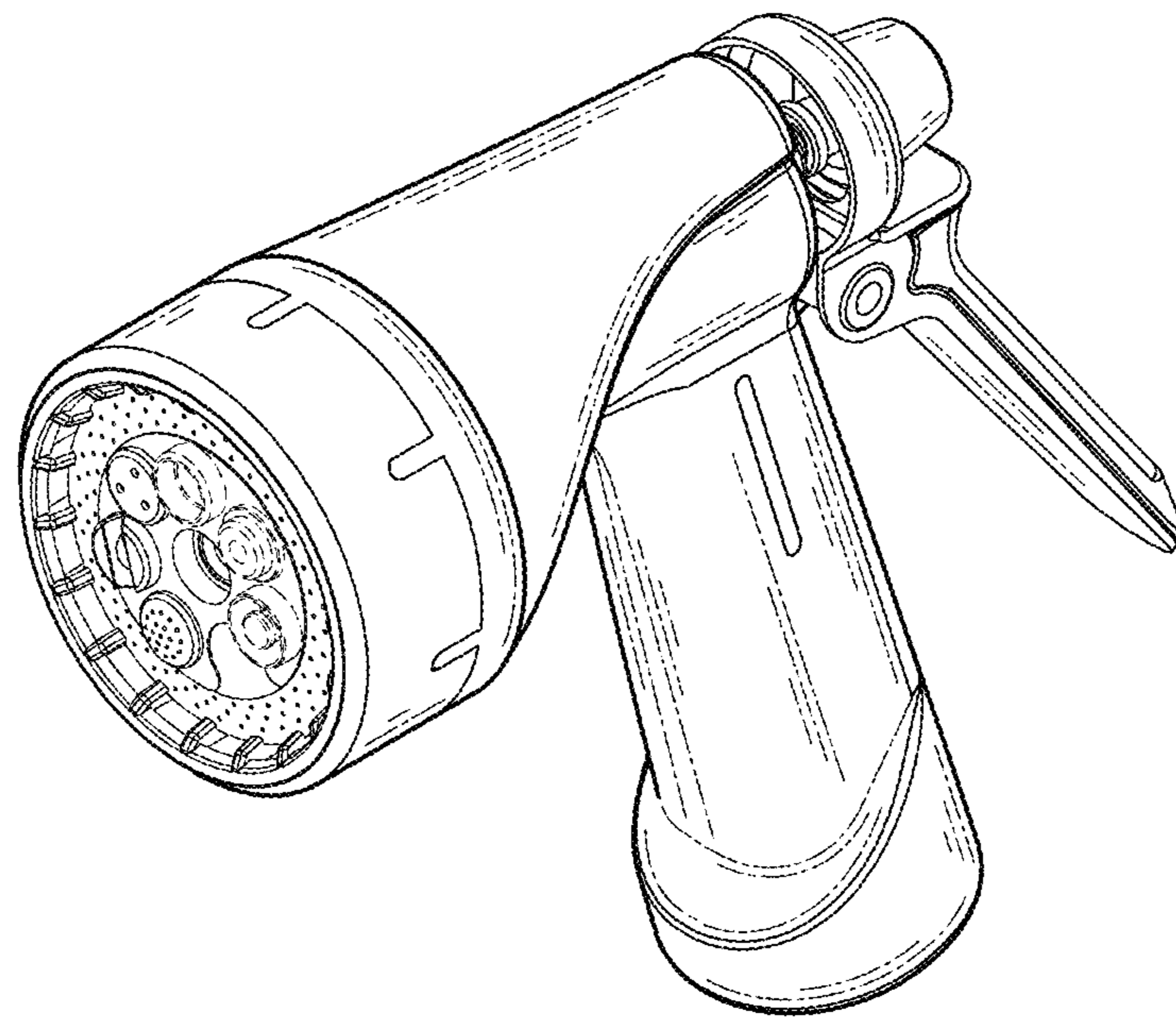


FIG. 1

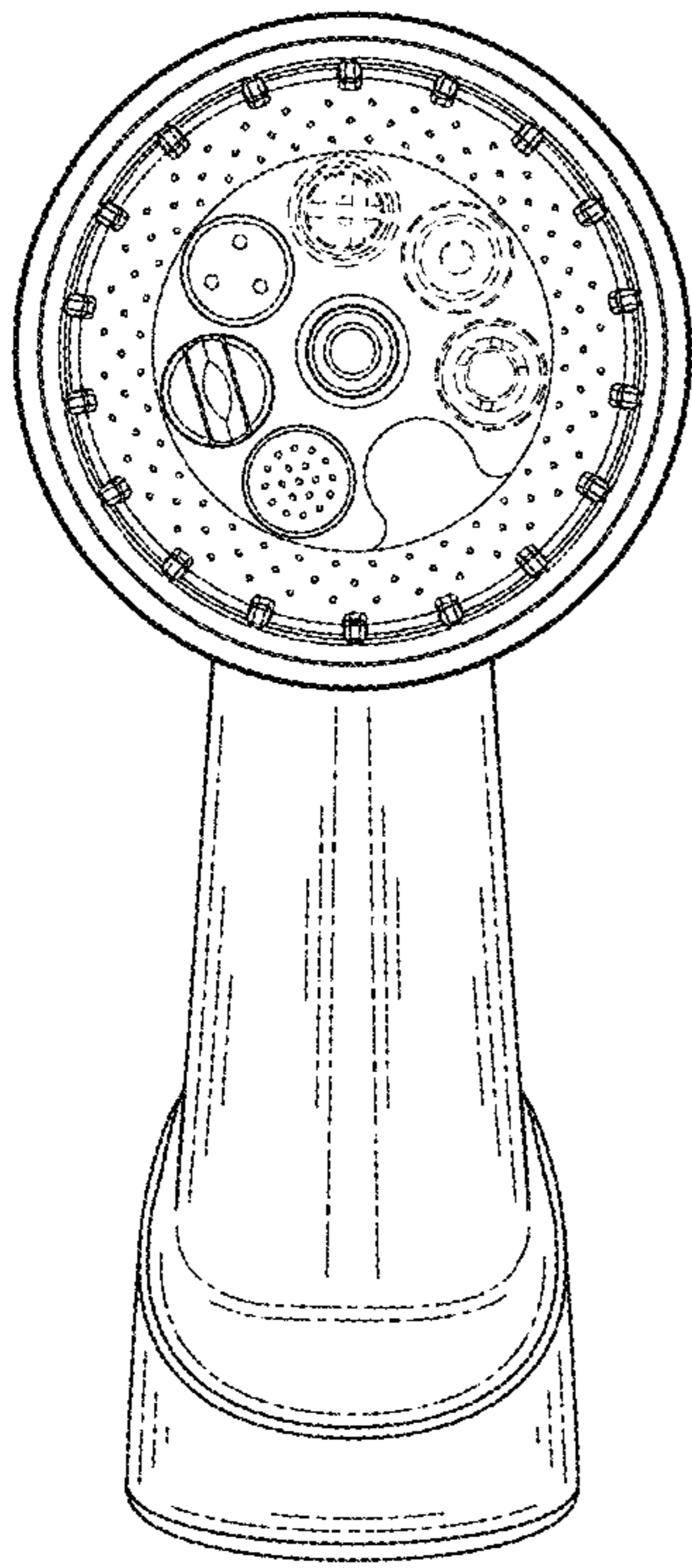


FIG.2

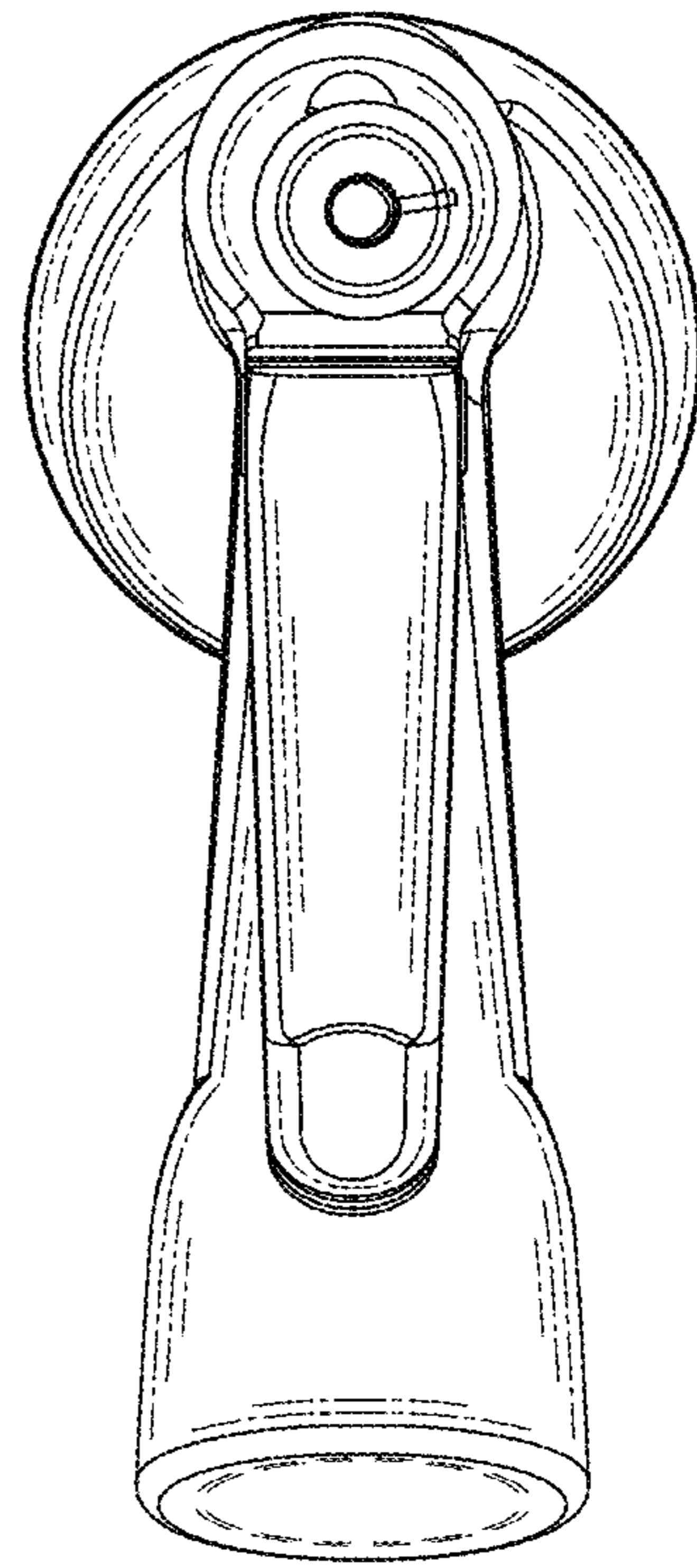


FIG.3

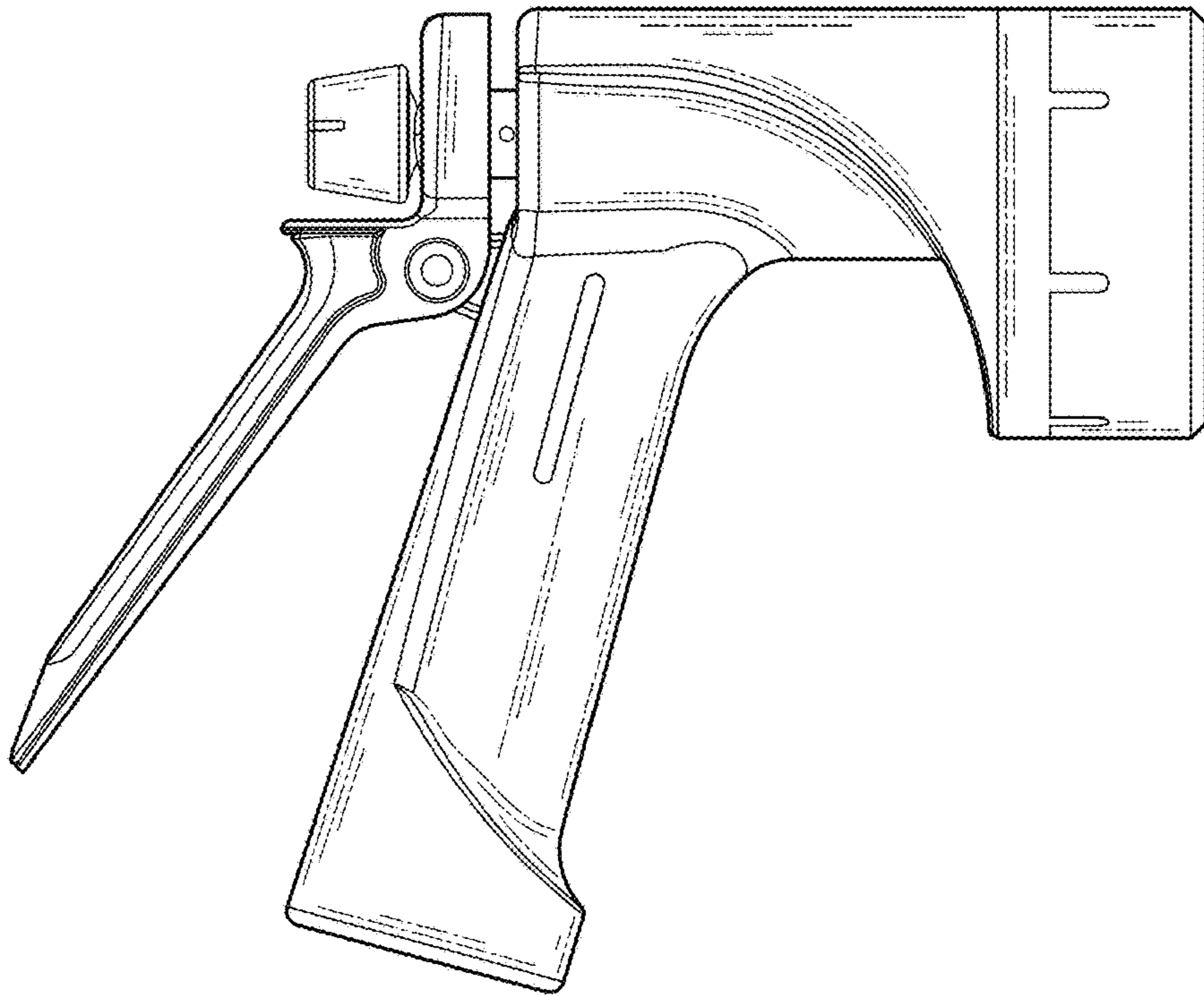


FIG.4

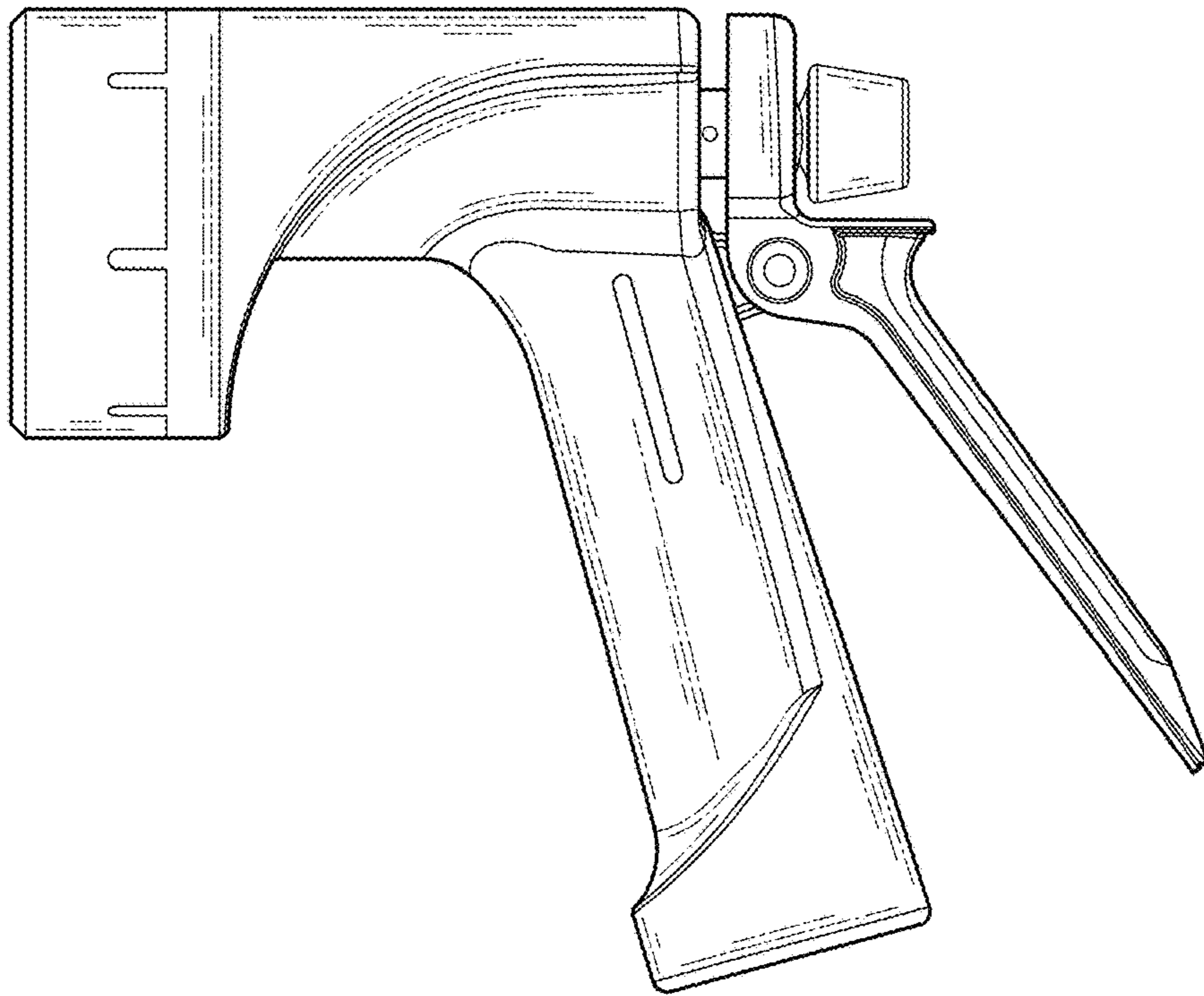


FIG.5

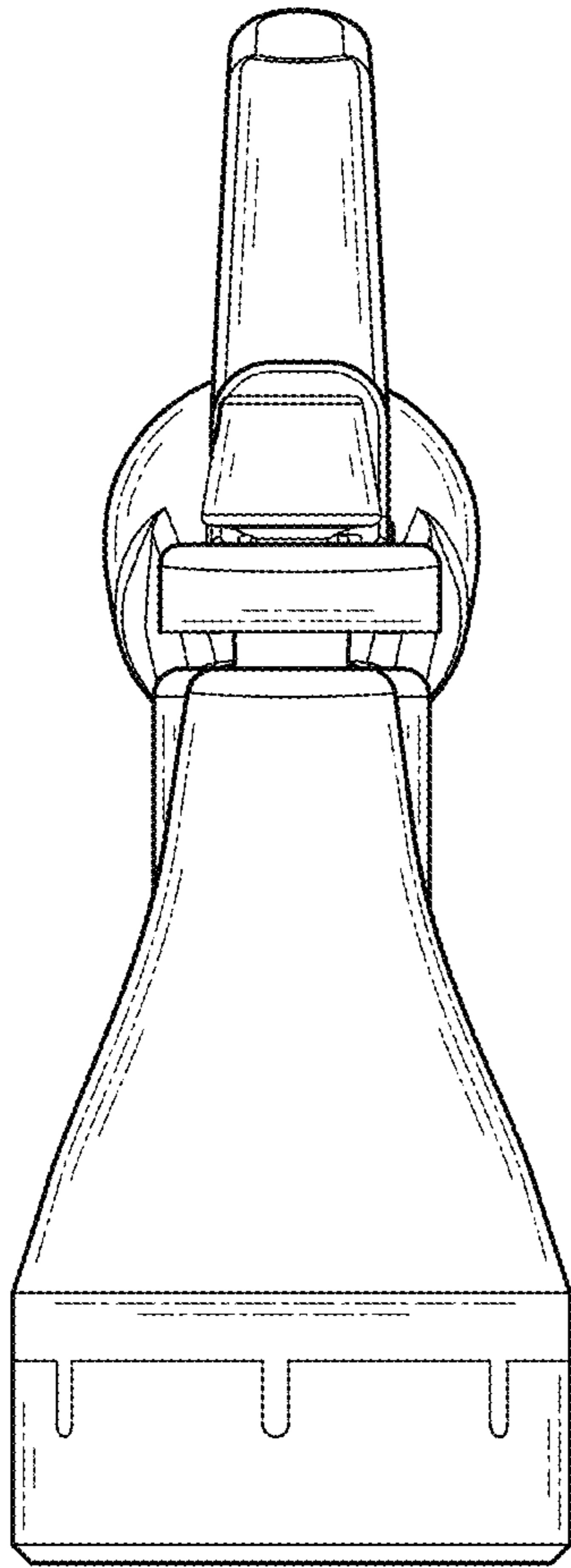


FIG. 6

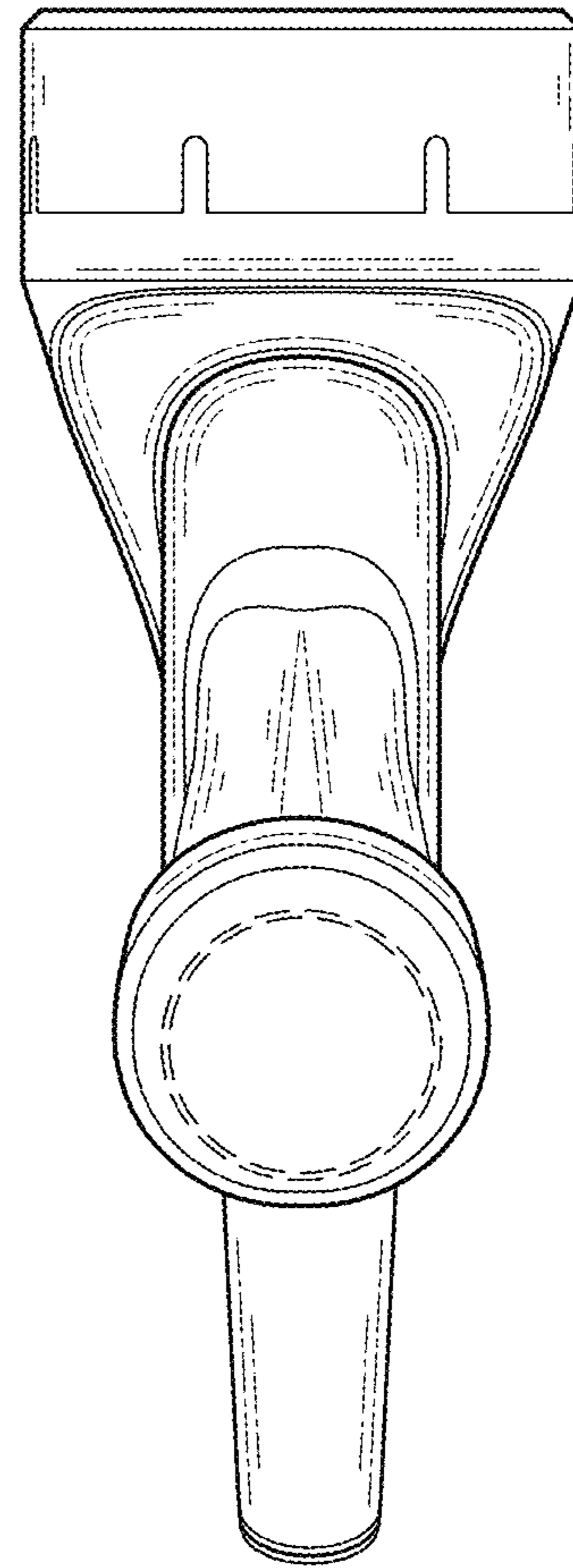


FIG. 7

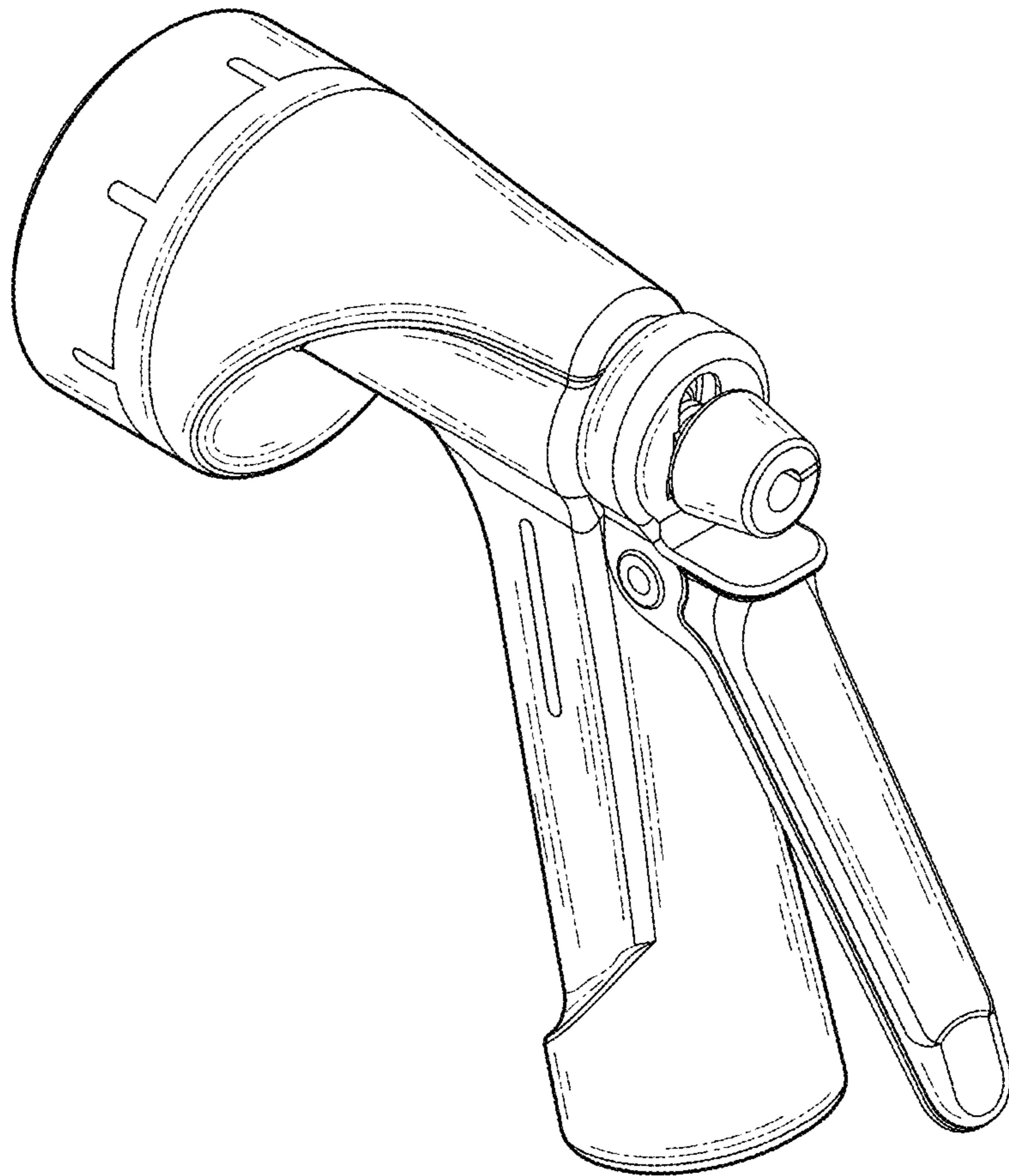


FIG.8