



US00D931413S

(12) **United States Design Patent**
Chen

(10) **Patent No.:** **US D931,413 S**
(45) **Date of Patent:** **** Sep. 21, 2021**

- (54) **GARDENING WATER SPRAY GUN**
- (71) Applicant: **SHIN TAI SPURT WATER OF THE GARDEN TOOLS CO., LTD.**
- (72) Inventor: **Chin-Yuan Chen, Lu-Kang Town (TW)**
- (73) Assignee: **SHIN TAI SPURT WATER OF THE GARDEN TOOLS CO., LTD., Chang-Hua Hsien (TW)**

D652,113	S	*	1/2012	Chen	D23/226
D663,013	S	*	7/2012	Chen	D23/226
D681,777	S	*	5/2013	Nies	D23/226
8,496,190	B2	*	7/2013	Chen	B05B 1/3026 239/394
D746,946	S	*	1/2016	Naslund	D23/223
D757,898	S	*	5/2016	Yu	D23/226
D764,025	S	*	8/2016	Jenkins	D23/226
D774,164	S	*	12/2016	Chen	D23/226
D783,125	S	*	4/2017	Chen	D23/226

(Continued)

(**) Term: **15 Years**

(21) Appl. No.: **29/713,278**

(22) Filed: **Nov. 14, 2019**

(51) **LOC (13) Cl.** **23-01**

(52) **U.S. Cl.**
USPC **D23/226**

(58) **Field of Classification Search**
USPC D23/213, 223, 226, 229
CPC B05B 12/002; B05B 12/0022; B05B 12/0024; B05B 12/0026; B05B 9/01
See application file for complete search history.

(56) **References Cited**

U.S. PATENT DOCUMENTS

5,323,968	A	*	6/1994	Kingston	B05B 1/1636 239/449
6,230,988	B1	*	5/2001	Chao	B05B 1/1654 239/394
D447,539	S	*	9/2001	Tse	D23/226
6,286,767	B1	*	9/2001	Hui-Chen	B05B 1/1654 239/392
D477,051	S	*	7/2003	Kuo	D23/226
7,240,858	B2	*	7/2007	Wang	B05B 1/3013 239/526
D553,711	S	*	10/2007	Chih	D23/226
D554,234	S	*	10/2007	Chih	D23/226
7,434,750	B2	*	10/2008	Roman	B05B 12/0026 239/526
D604,395	S	*	11/2009	Zore	D23/226

OTHER PUBLICATIONS

“Maulee Garden Hose Nozzle”, Jun. 17, 2019, Amazon, site visited Dec. 9, 2020: <https://www.amazon.ca/dp/B07SM5Y32D/> (Year: 2019).*

(Continued)

Primary Examiner — Jack Reickel
Assistant Examiner — Bobby W Jones, II

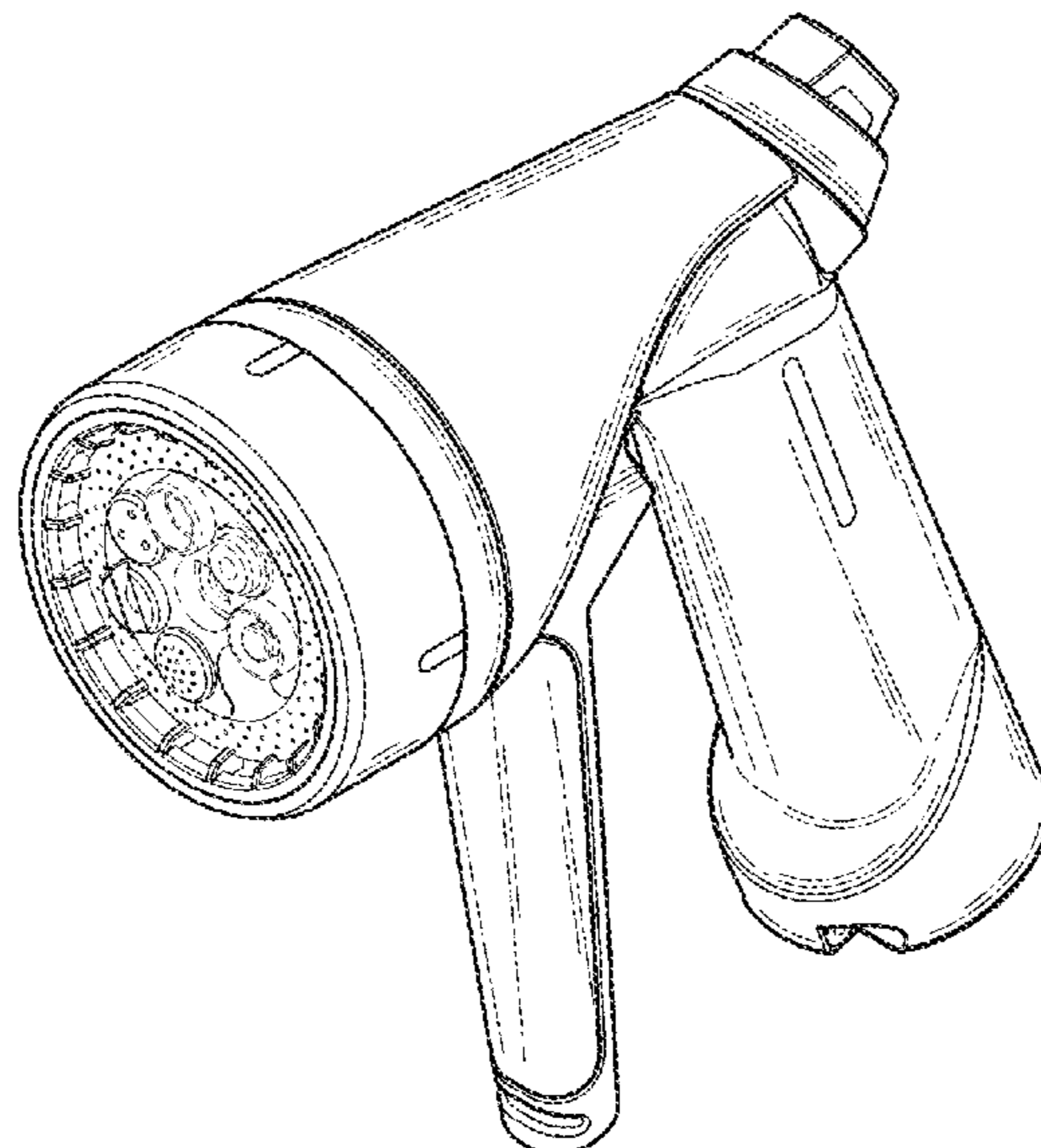
(57) **CLAIM**

The ornamental design for a gardening water spray gun, as shown and described.

DESCRIPTION

FIG. 1 is a perspective view of a gardening water spray gun showing my new design;
FIG. 2 is a front elevational view thereof;
FIG. 3 is a rear elevational view thereof;
FIG. 4 is a left side elevational view thereof;
FIG. 5 is a right side elevational view thereof;
FIG. 6 is a top plan view thereof;
FIG. 7 is a bottom plan view thereof; and,
FIG. 8 is another perspective schematic view of a gardening water spray gun showing my design.
The broken line showing of the gardening water spray gun is for the purpose of illustrating environmental structure and forms no part of the claimed design.

1 Claim, 6 Drawing Sheets



(56)

References Cited

U.S. PATENT DOCUMENTS

9,687,870 B2 * 6/2017 Yu B05B 1/16
D832,978 S * 11/2018 Miyawaki D23/226
10,239,074 B2 * 3/2019 Walters B05B 15/652
D849,889 S * 5/2019 Pease D23/226
D865,909 S * 11/2019 Hsieh D23/213
2012/0298778 A1 * 11/2012 Chen B05B 9/01
239/394

OTHER PUBLICATIONS

“Melnor 65042-AMZ Metal 2 Pack”, Aug. 2, 2019, Amazon, site visited Feb. 3, 2021: <https://www.amazon.ca/dp/B07NW5DXLQ/> (Year: 2019).*

* cited by examiner

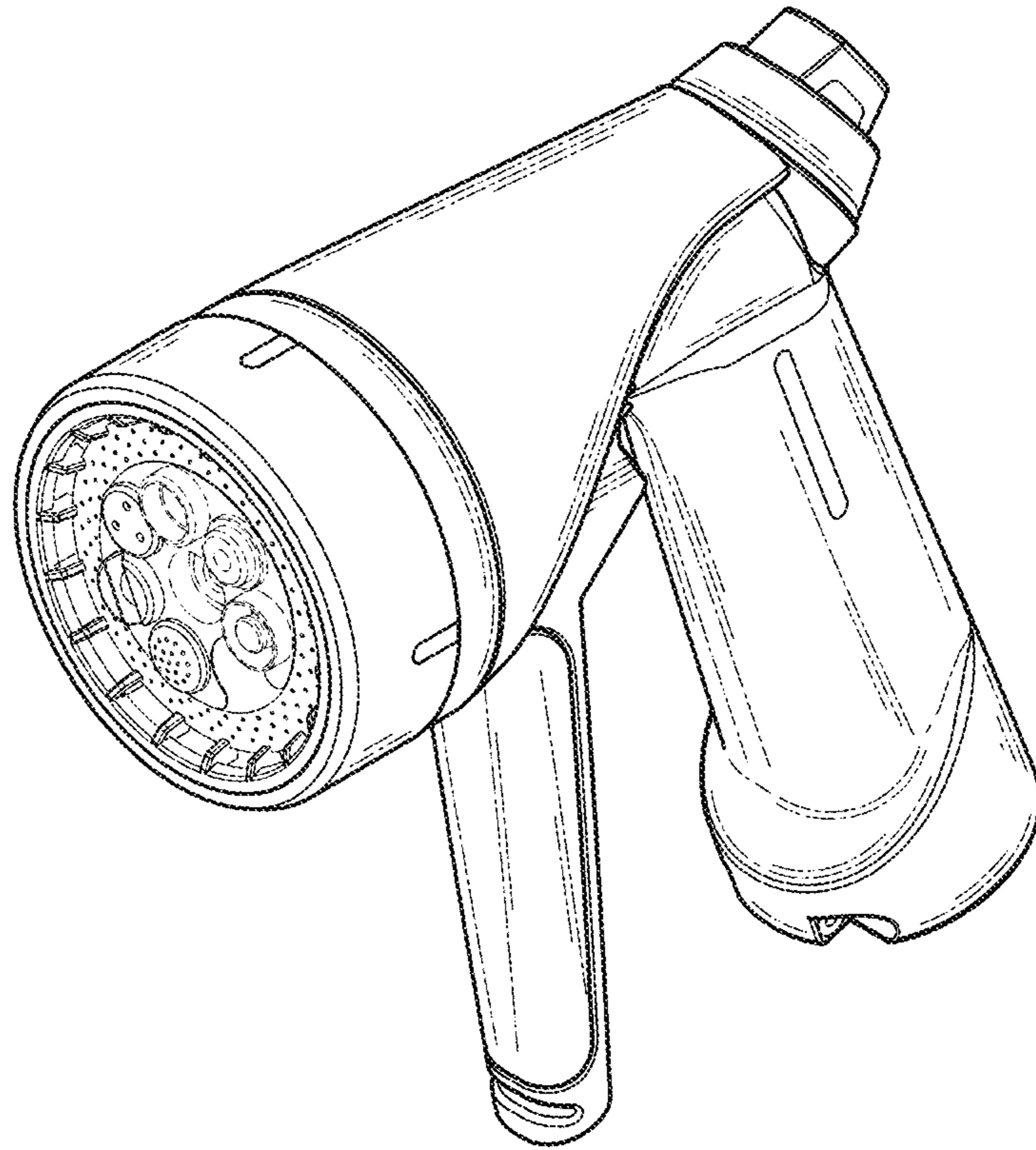


FIG.1

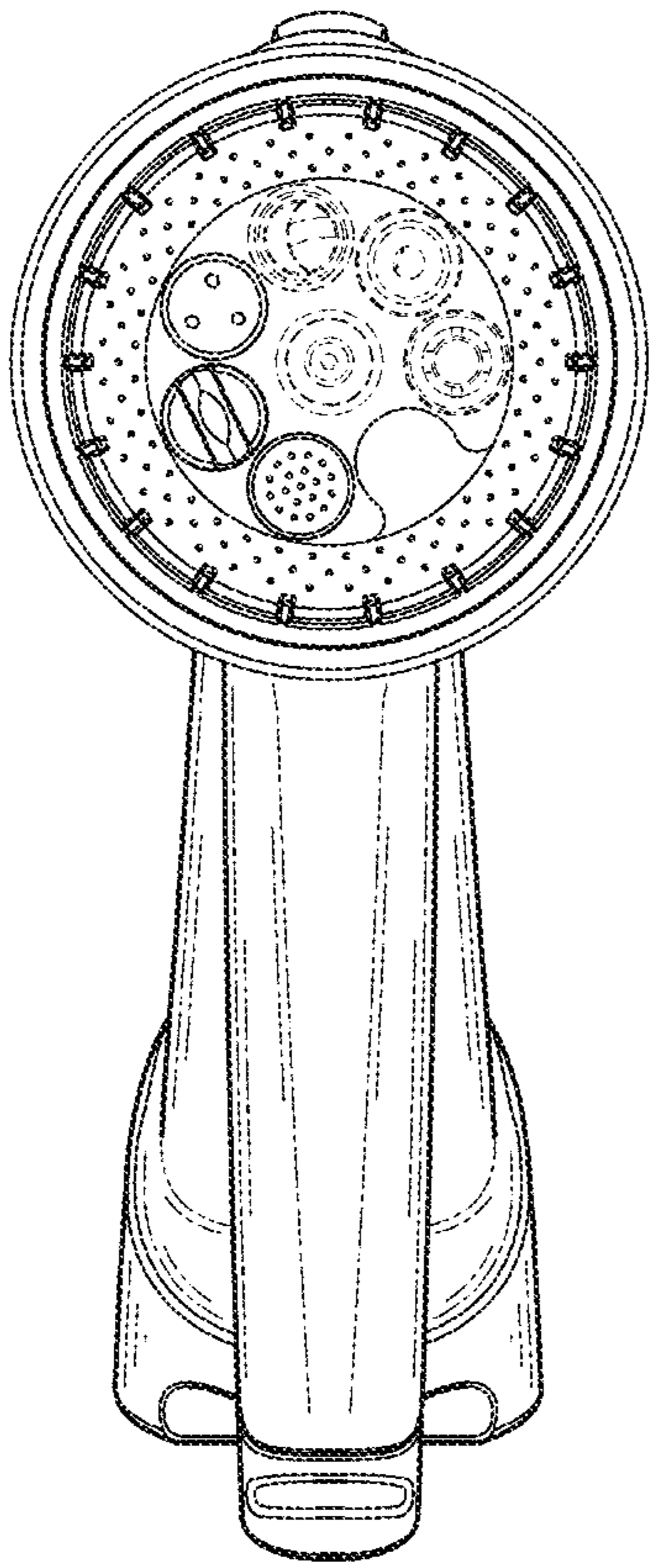


FIG.2

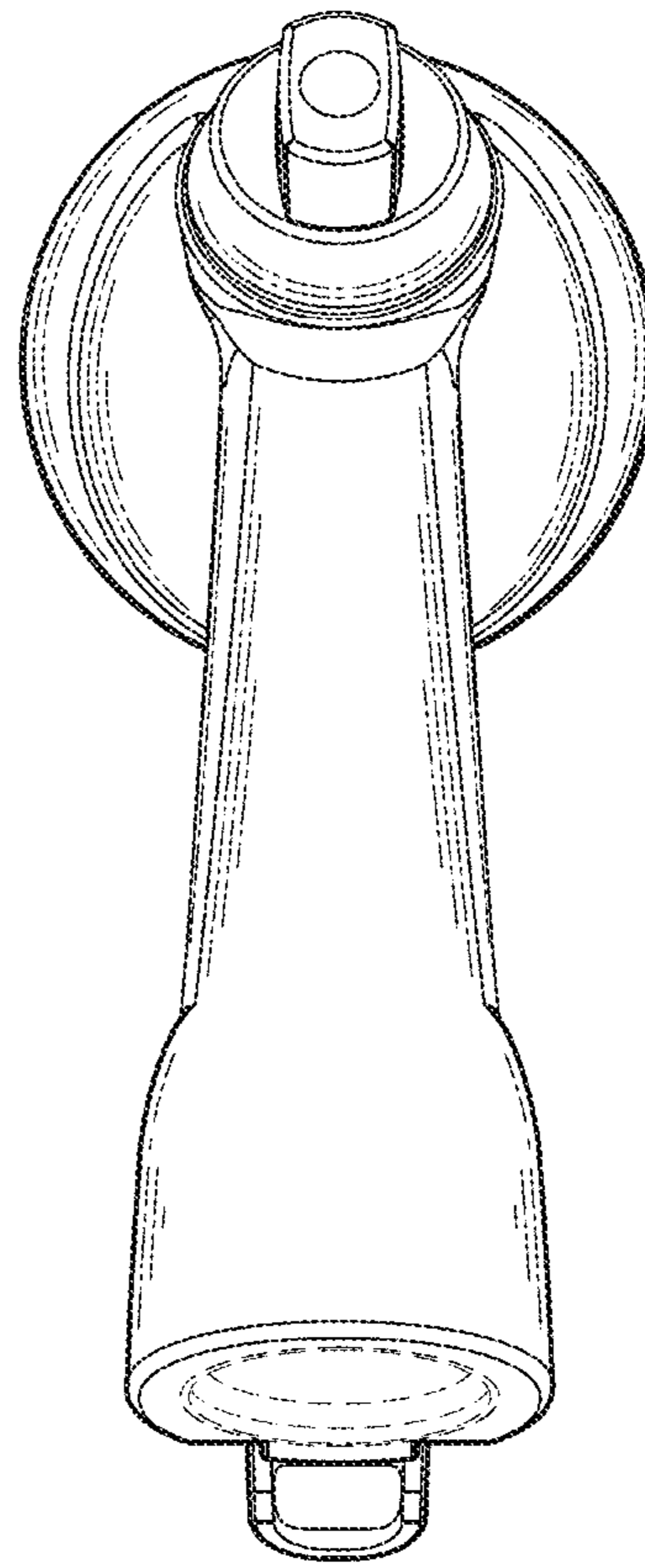


FIG.3

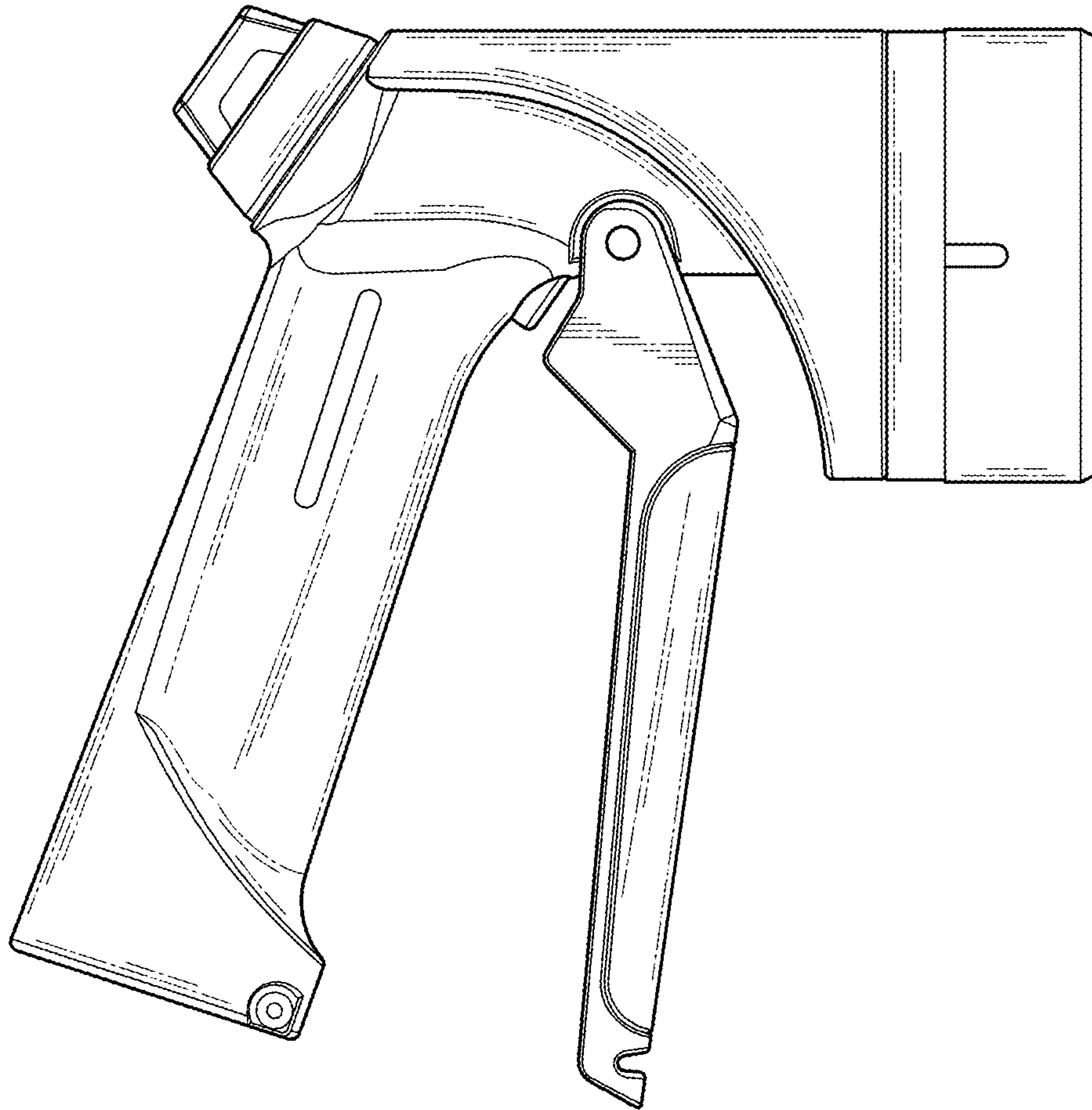


FIG.4

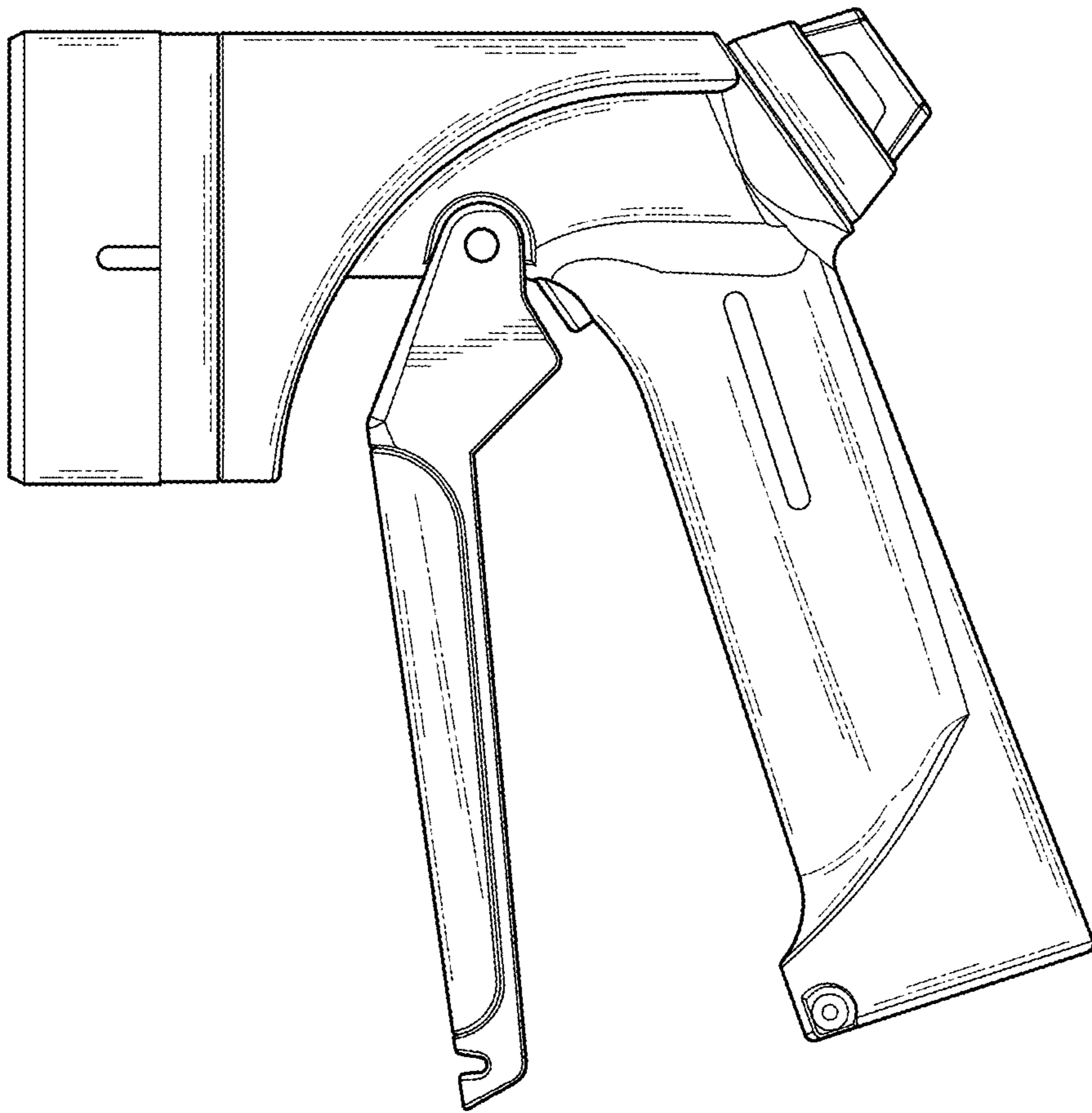


FIG.5

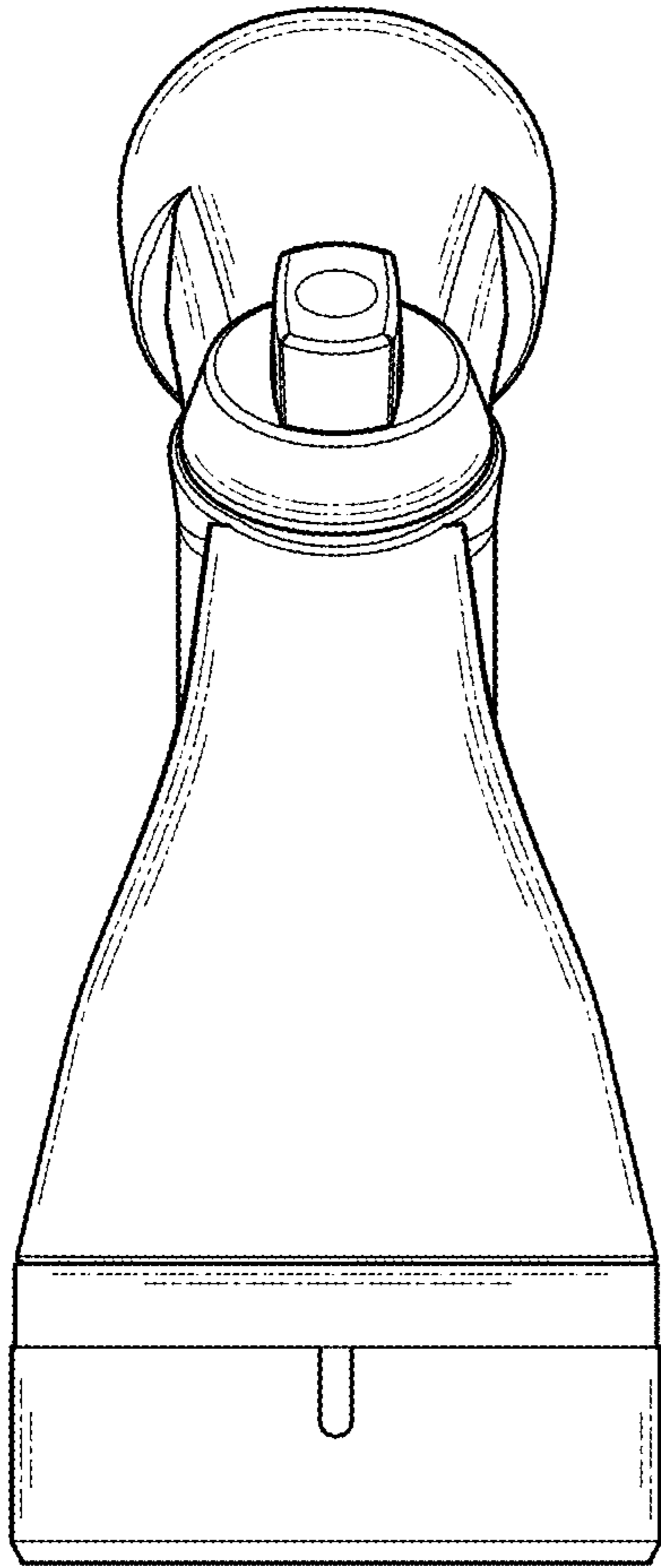


FIG.6

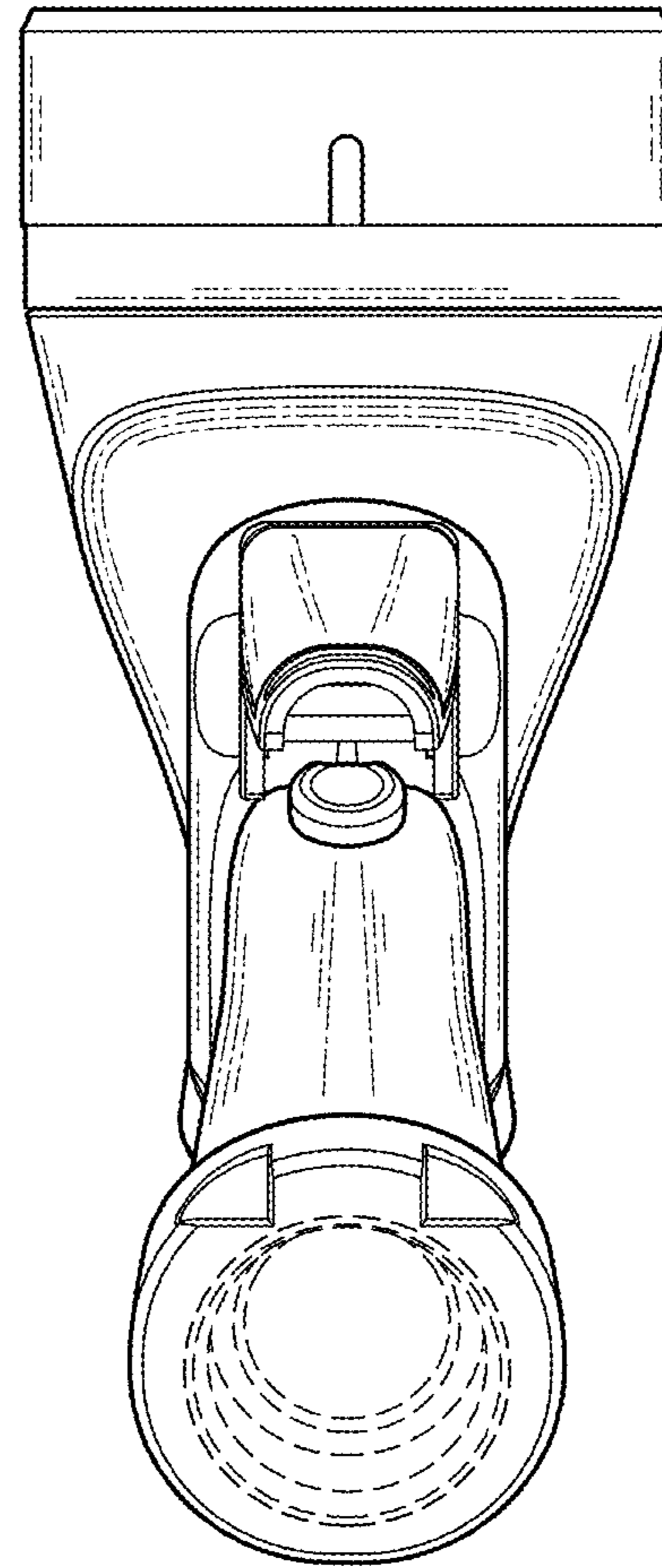


FIG.7

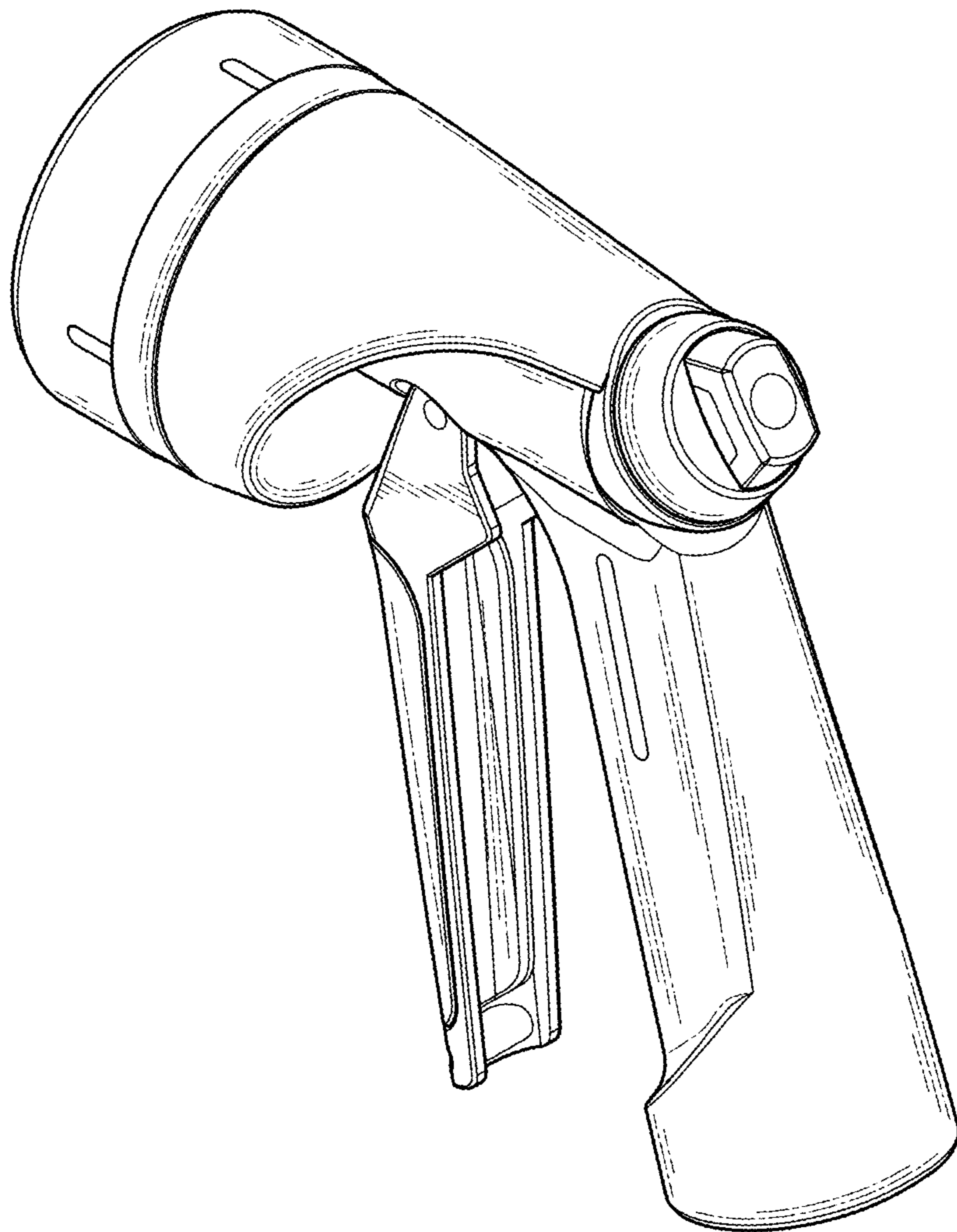


FIG.8