



US00D931411S

(12) **United States Design Patent** (10) **Patent No.:** **US D931,411 S**  
**Yan** (45) **Date of Patent:** **\*\* Sep. 21, 2021**

(54) **SHOWER HEAD**

(71) Applicant: **Xiamen Galenpoo Kitchen&Bathroom Technology Co., Ltd., Xiamen (CN)**

(72) Inventor: **Xiaoling Yan, Xiamen (CN)**

(\*\*) Term: **15 Years**

(21) Appl. No.: **29/799,526**

(22) Filed: **Jul. 15, 2021**

(51) **LOC (13) Cl.** ..... **23-01**

(52) **U.S. Cl.**  
USPC ..... **D23/213**

(58) **Field of Classification Search**  
USPC ..... D23/213–215, 223–224, 226, 229, 222,  
D23/232, 234  
See application file for complete search history.

(56) **References Cited**

**U.S. PATENT DOCUMENTS**

D422,336 S *	4/2000	Haverstraw	.....	D23/223
D451,980 S *	12/2001	Lindholm	.....	D23/223
D466,185 S *	11/2002	Tse	.....	D23/223
D601,222 S *	9/2009	Tse	.....	D23/223
D617,419 S *	6/2010	Lee	.....	D23/223
D670,358 S *	11/2012	Bai	.....	D23/223
D889,603 S *	7/2020	Wu	.....	D23/223
D907,743 S *	1/2021	Wu	.....	D23/213
D908,840 S *	1/2021	Wu	.....	D23/223
D913,419 S *	3/2021	Ladwig	.....	B05B 1/185 D23/223
D917,663 S *	4/2021	Yan	.....	B05B 1/18 D23/223

D922,522 S 6/2021 Lin et al.  
2016/0214122 A1\* 7/2016 Yu ..... B05B 1/18  
2020/0376505 A1\* 12/2020 Peterson ..... B05B 1/185

\* cited by examiner

*Primary Examiner* — Karen S Acker  
*Assistant Examiner* — Jonathan E Fiencke

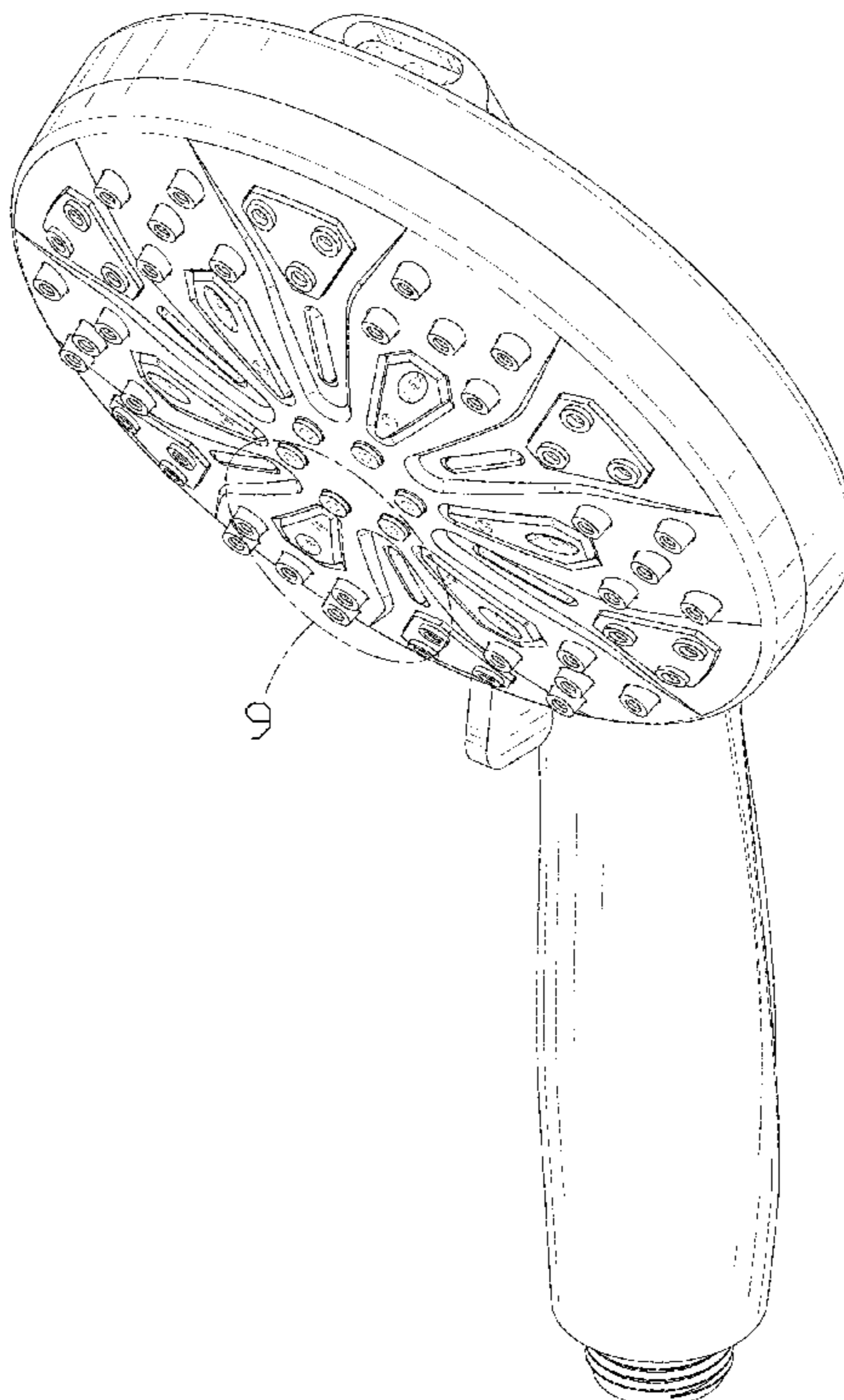
(57) **CLAIM**

The ornamental design for a shower head, as shown and described.

**DESCRIPTION**

FIG. 1 is a front and top perspective view of a shower head, showing my new design;  
FIG. 2 is a rear and bottom perspective view thereof;  
FIG. 3 is a front elevation view thereof;  
FIG. 4 is a rear elevation view thereof;  
FIG. 5 is a left side elevation view thereof;  
FIG. 6 is a right side elevation view thereof;  
FIG. 7 is a top plan view thereof;  
FIG. 8 is a bottom plan view thereof;  
FIG. 9 is an enlarged detail view of area 9 circumscribed within FIG. 1; and,  
FIG. 10 is an enlarged detail view of area 10 circumscribed within FIG. 3.  
The evenly spaced broken lines and all areas within depict portions of the shower head that from no part of the claimed design. The dot dash dot broken lines in FIGS. 1, 3, 9, and 10 depict the boundaries of the enlarged detail views and form no part of the claimed design.

**1 Claim, 10 Drawing Sheets**



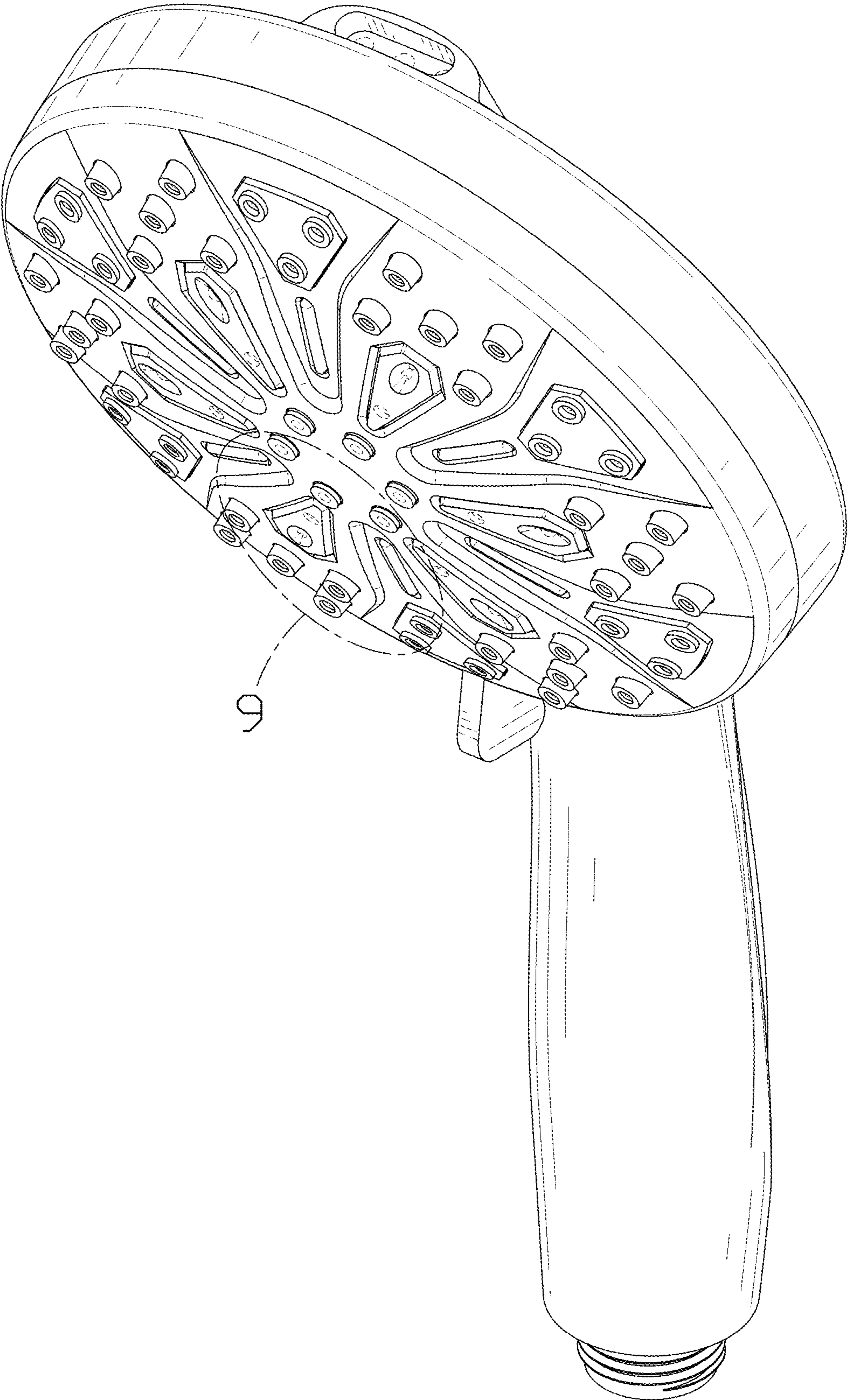


FIG. 1



FIG. 2

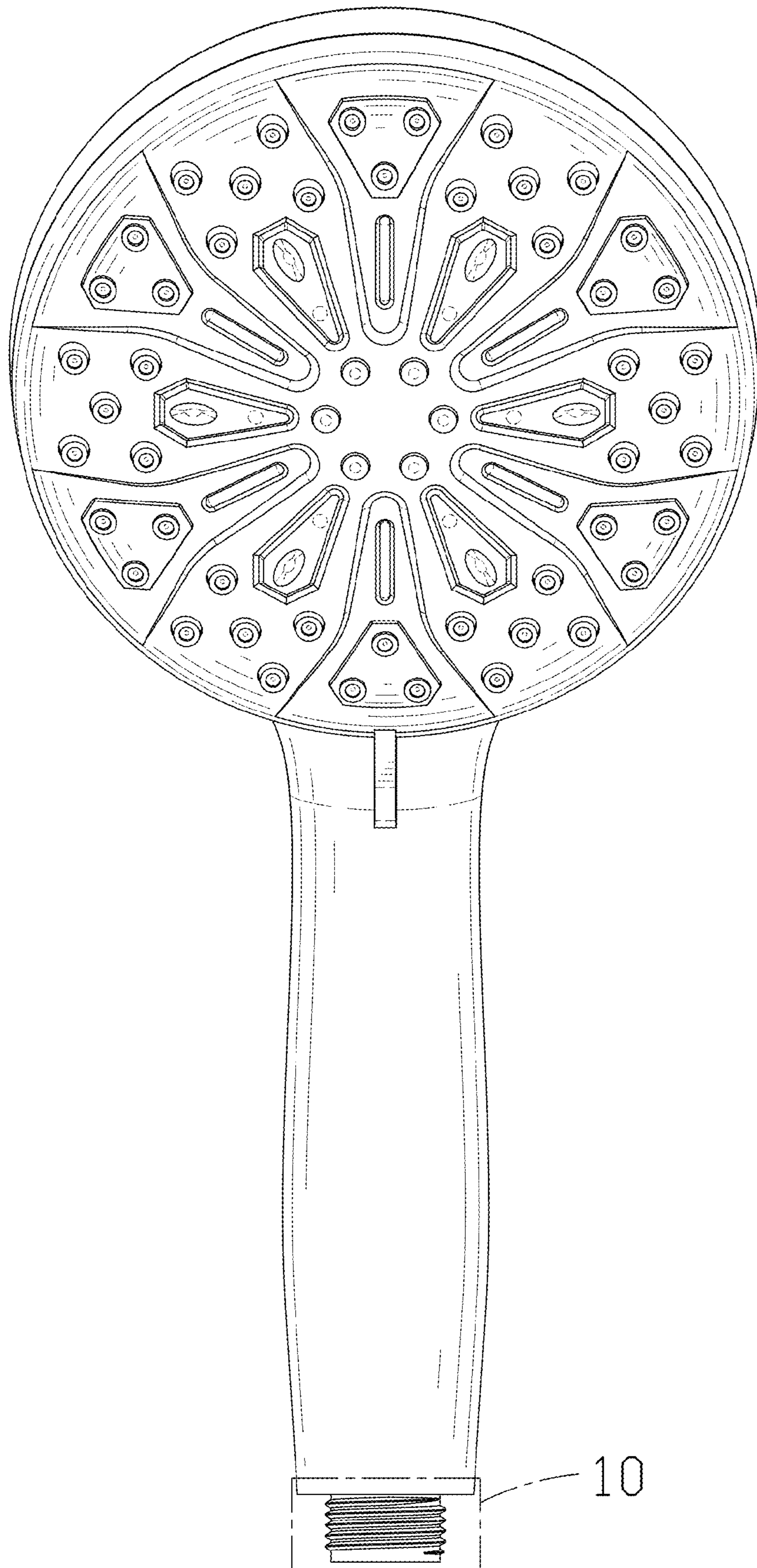


FIG. 3

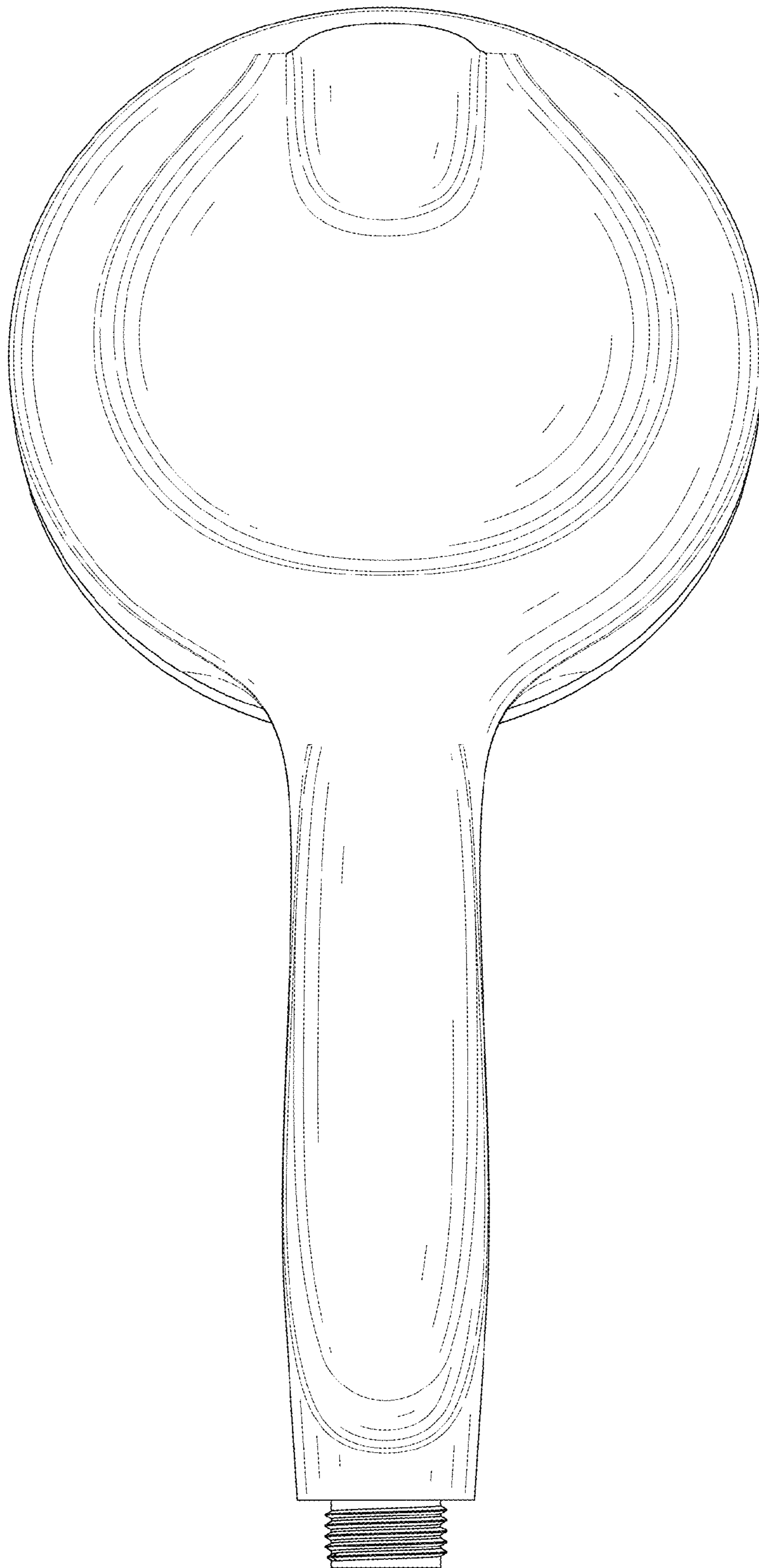


FIG. 4

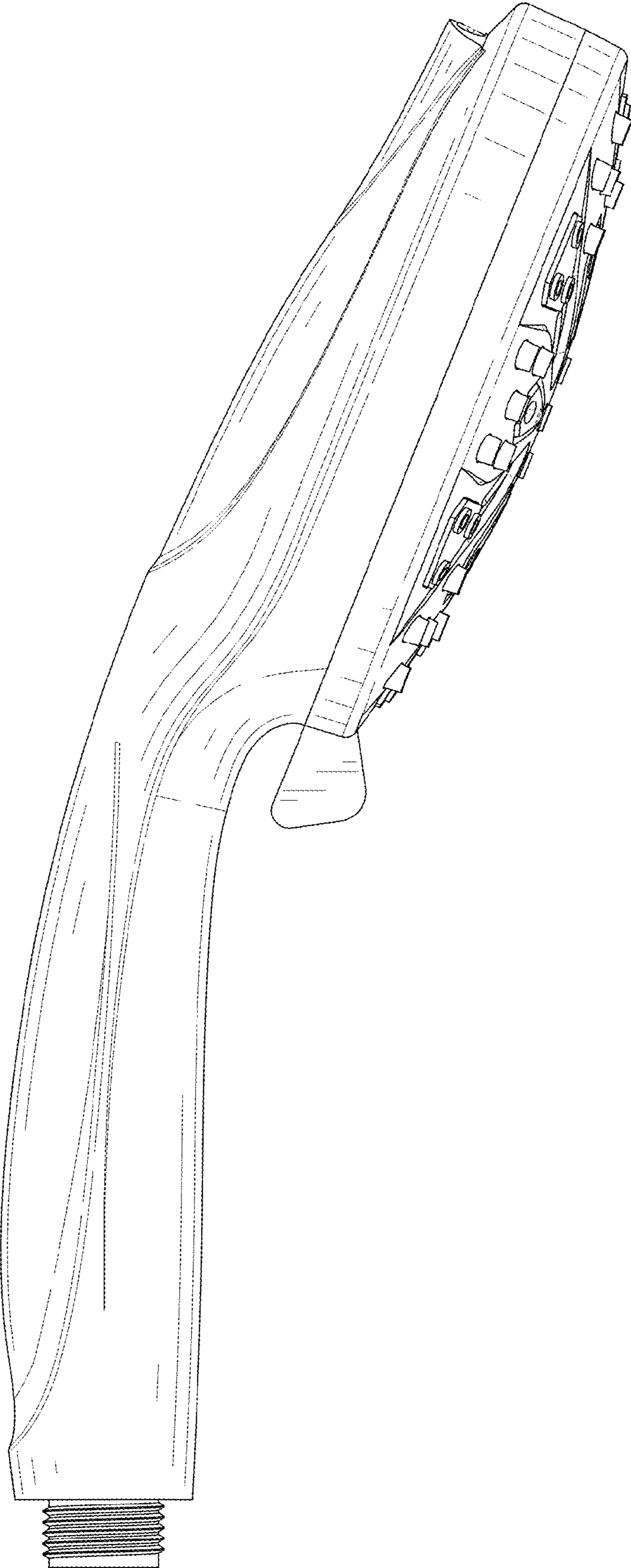


FIG. 5

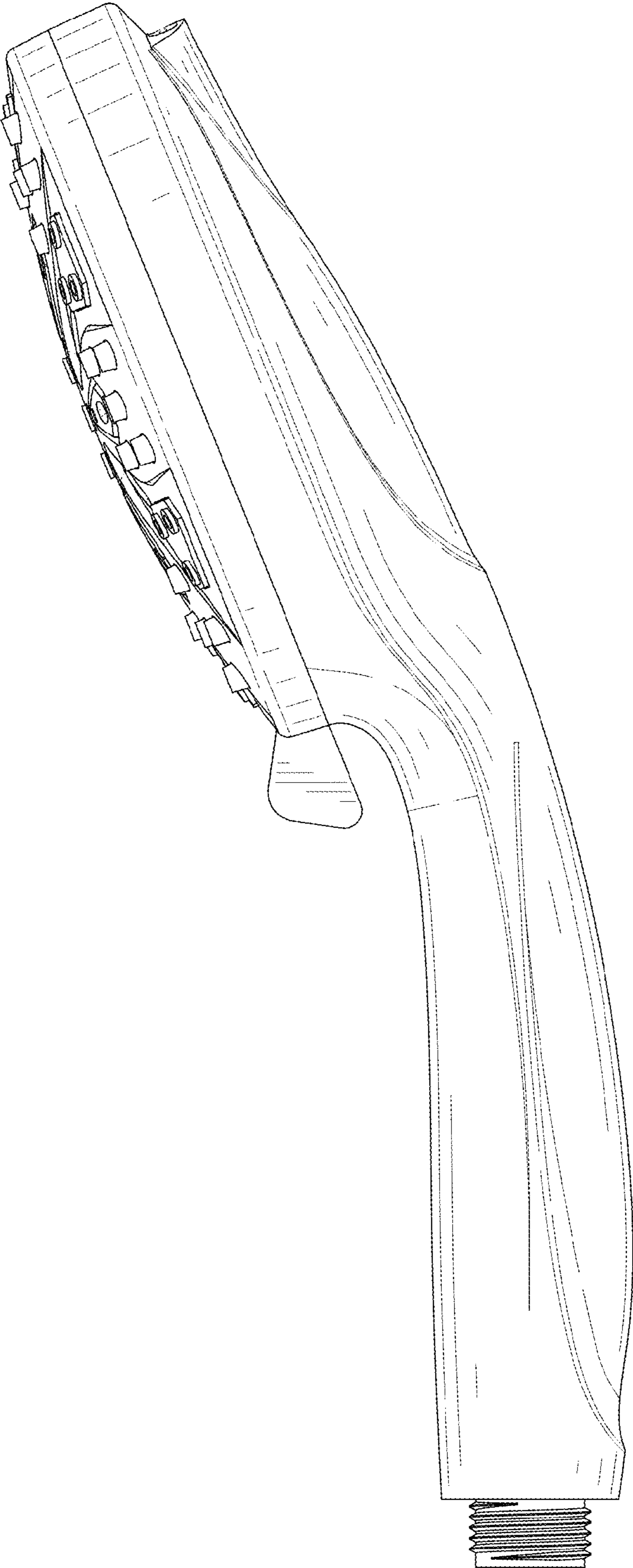


FIG. 6

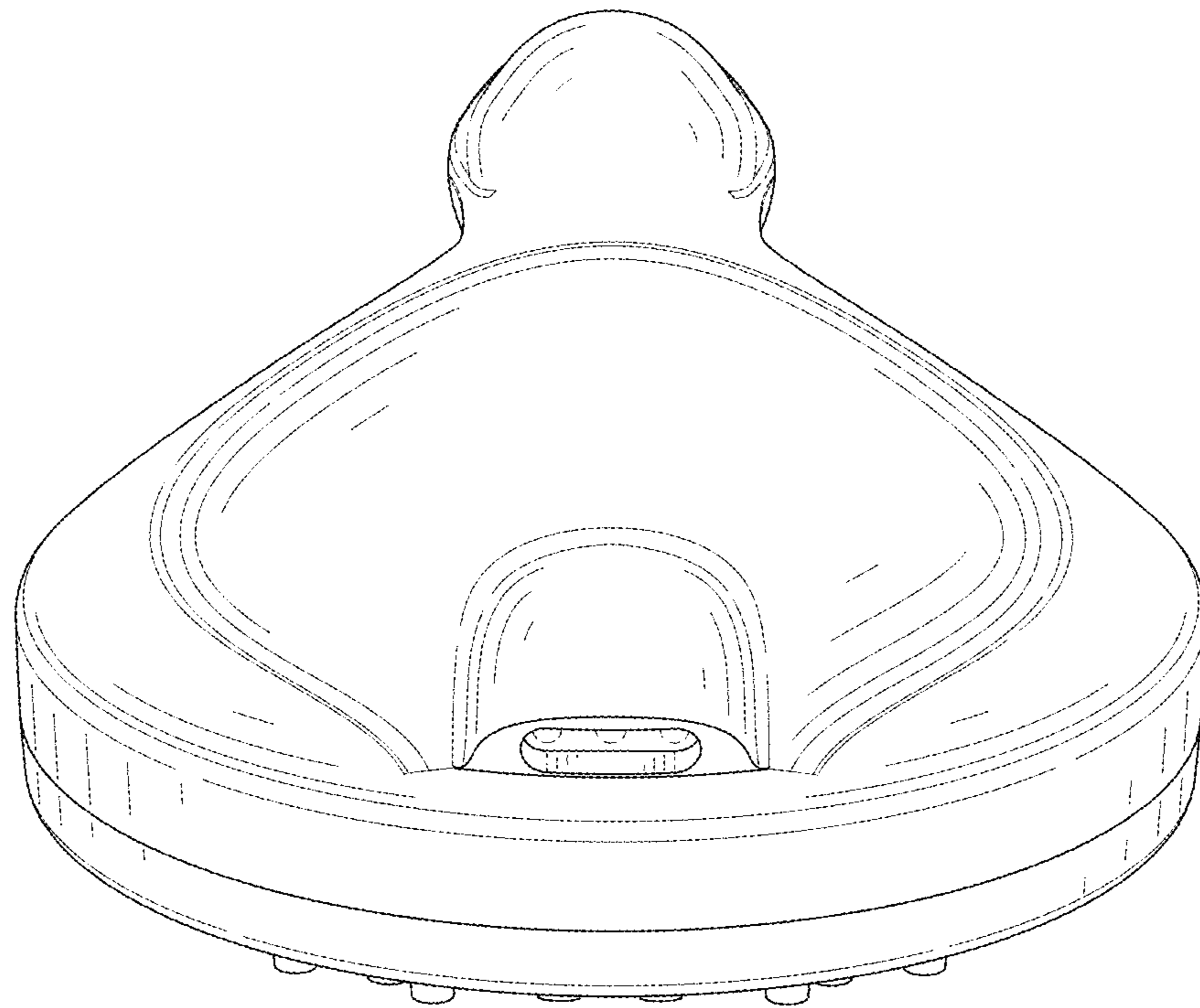


FIG. 7



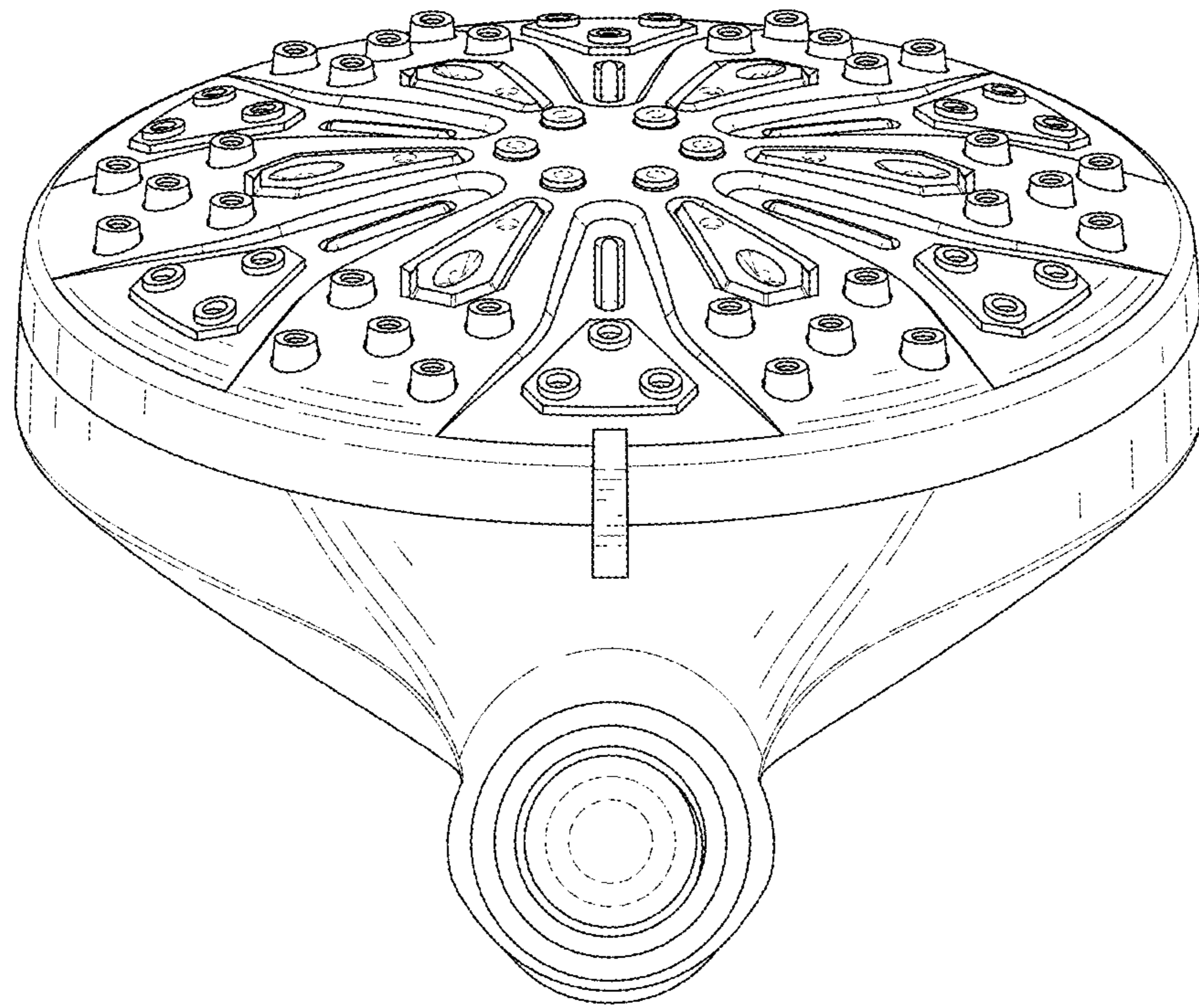


FIG. 8

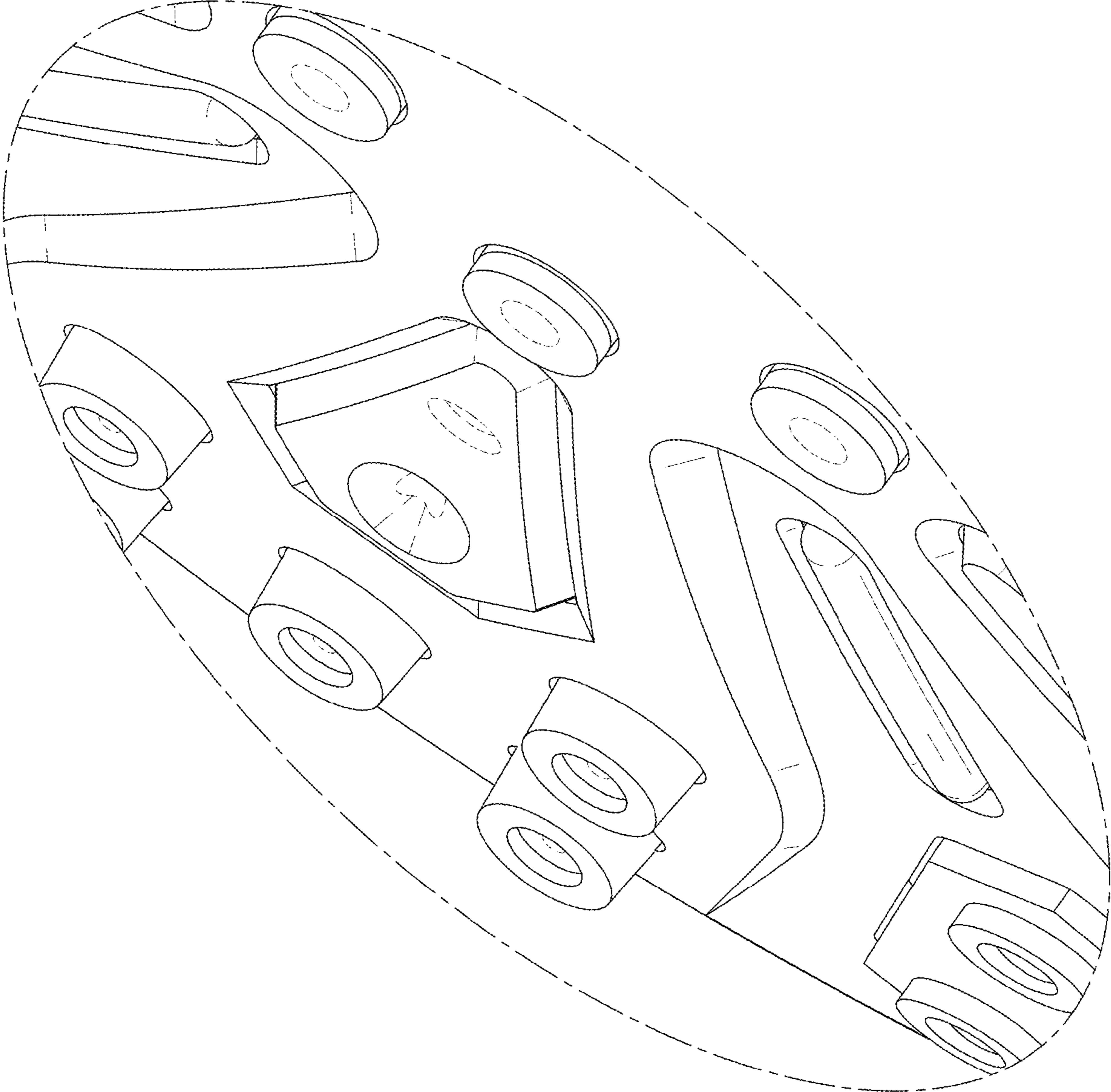


FIG. 9

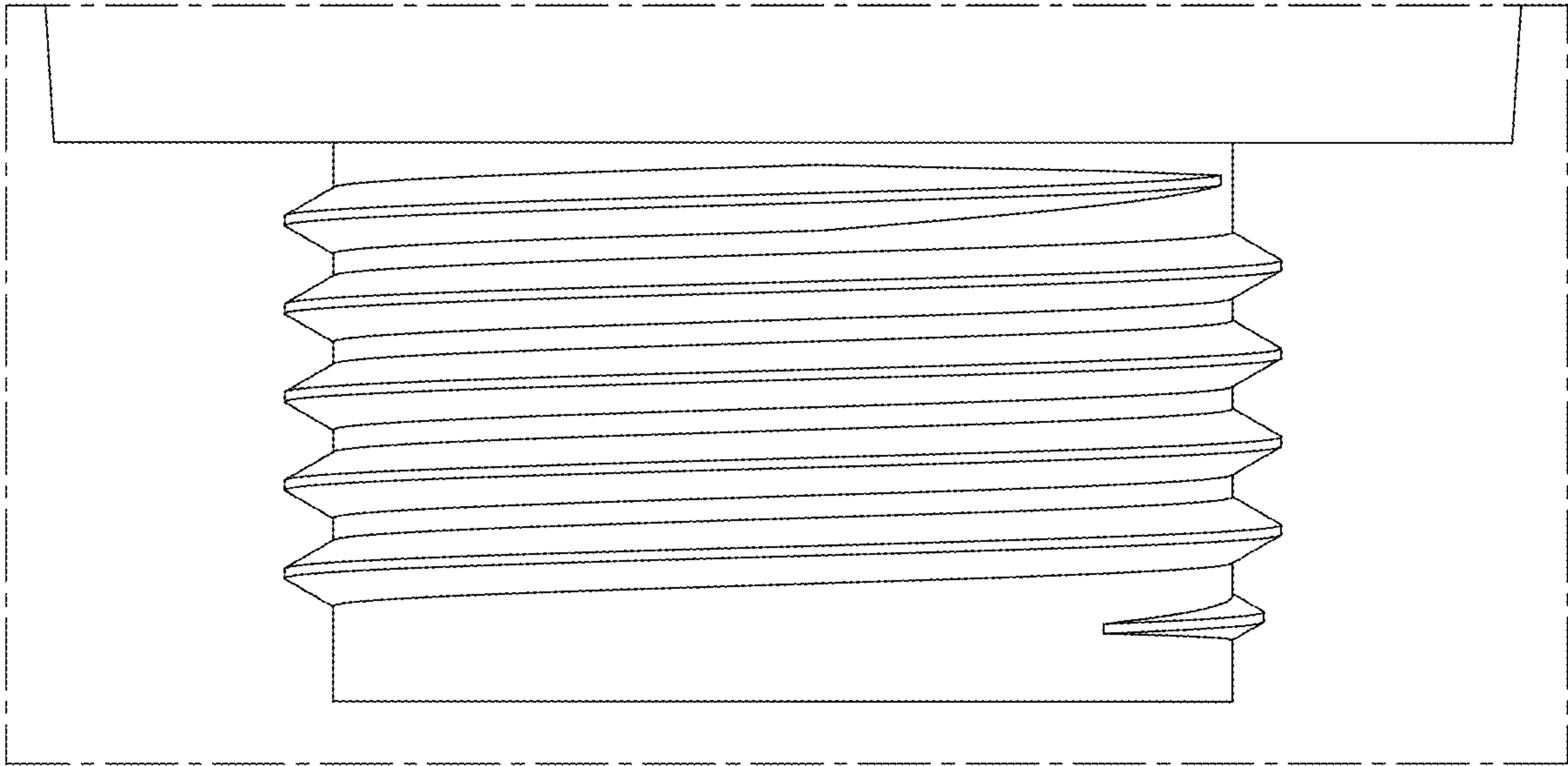


FIG. 10