



US00D931410S

(12) **United States Design Patent**
Fujinami

(10) **Patent No.:** **US D931,410 S**

(45) **Date of Patent:** **** Sep. 21, 2021**

(54) **FLUID EMITTING DEVICE**

(71) Applicant: **KAO CORPORATION**, Tokyo (JP)

(72) Inventor: **Susumu Fujinami**, Tokyo (JP)

(73) Assignee: **KAO CORPORATION**, Tokyo (JP)

(**) Term: **15 Years**

(21) Appl. No.: **29/679,129**

(22) Filed: **Feb. 1, 2019**

(30) **Foreign Application Priority Data**

Aug. 6, 2018 (JP) 2018-017155

(51) **LOC (13) Cl.** **23-01**

(52) **U.S. Cl.**
USPC **D23/213**

(58) **Field of Classification Search**
USPC D23/213, 214, 215, 223, 224, 226, 229;
D24/111, 146-147; D10/83
CPC A61H 9/0021; A61H 33/00; B05B 1/00;
B05B 1/14; B05B 1/185; B05B 1/08;
B05B 1/02; B05B 1/26; B05B 12/002;
B05B 1/18; B05B 9/01
See application file for complete search history.

(56) **References Cited**

U.S. PATENT DOCUMENTS

- 7,959,597 B2 * 6/2011 Baker A61M 3/0216
604/28
- 8,409,152 B2 * 4/2013 Hair A61M 3/0279
604/275
- 8,888,752 B2 * 11/2014 Cacka A61M 3/0208
604/278
- D897,493 S * 9/2020 Sugawara D23/213
- D905,200 S * 12/2020 Willfort D23/226
- D905,821 S * 12/2020 Ciura D23/223
- D909,533 S * 2/2021 Zhang D23/213

- D913,484 S * 3/2021 Li D24/111
- D919,088 S * 5/2021 Fumex D24/146
- 2011/0144588 A1 * 6/2011 Taylor A61M 3/0208
604/151

(Continued)

FOREIGN PATENT DOCUMENTS

JP D1098291 1/2001

OTHER PUBLICATIONS

https://www.youtube.com/watch?v=RargO-oG8W0&feature=emb_logo (Year: 2019).*

(Continued)

Primary Examiner — Jack Reickel
Assistant Examiner — Keith J Wilson
(74) *Attorney, Agent, or Firm* — Oblon, McClelland,
Maier & Neustadt, L.L.P.

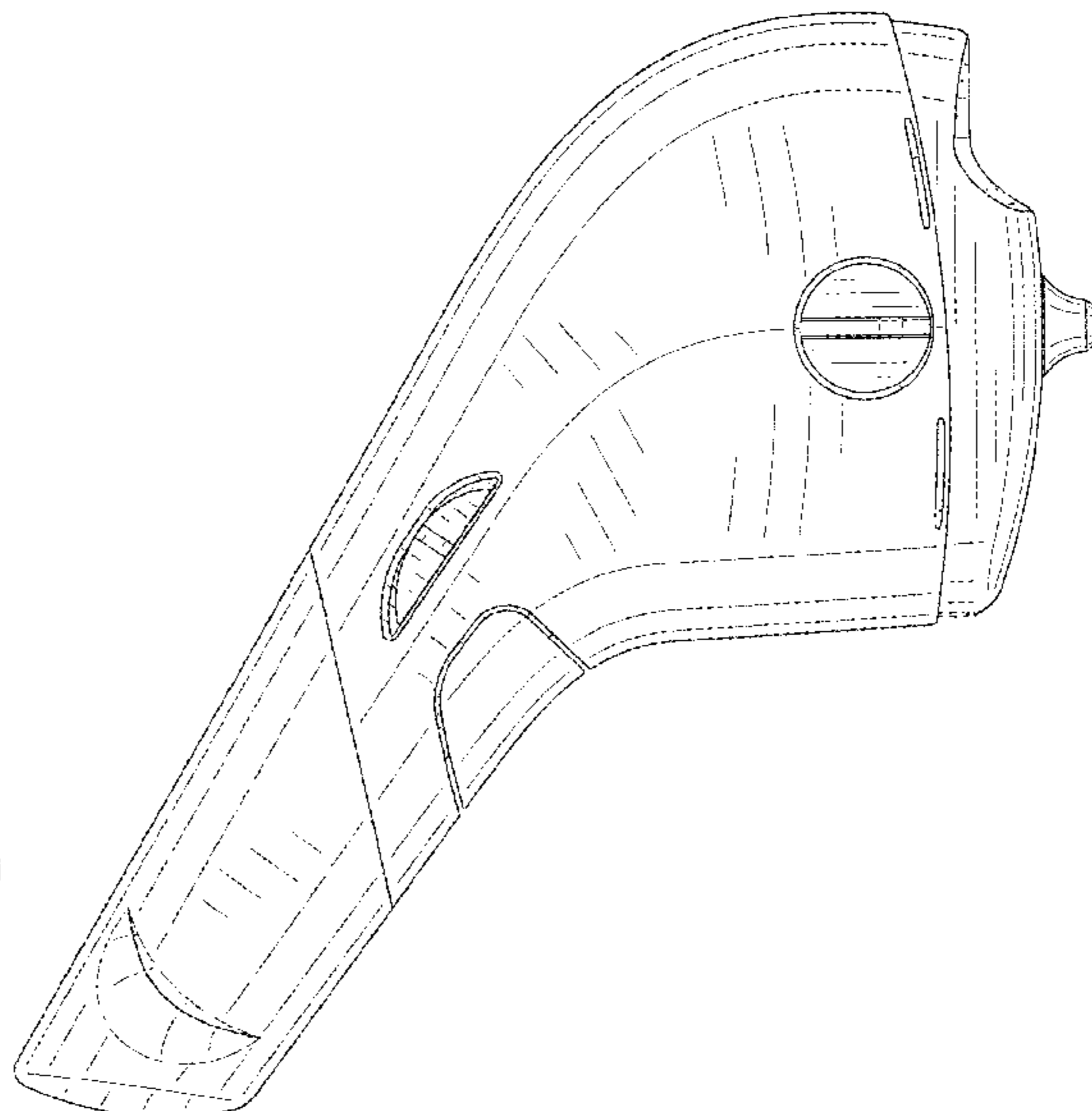
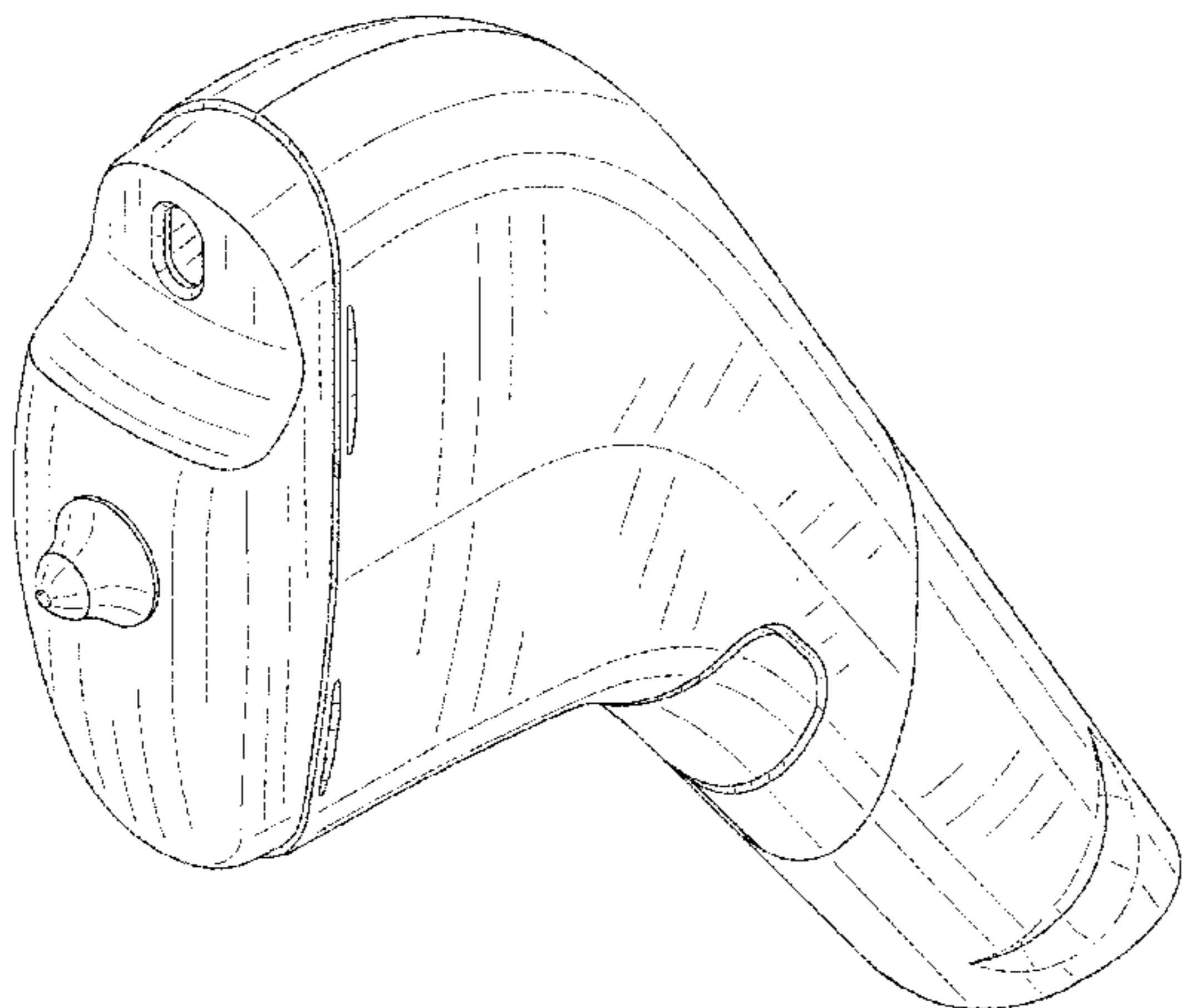
(57) **CLAIM**

The ornamental design for a fluid emitting device, as shown and described.

DESCRIPTION

FIG. 1 is a front, right side, top perspective view of a fluid emitting device showing my new design; FIG. 2 is a front elevation view thereof; FIG. 3 is a rear elevation view thereof; FIG. 4 is a left side elevation view thereof; FIG. 5 is a right side elevation view thereof; FIG. 6 is a top plan view thereof; FIG. 7 is a bottom plan view thereof; FIG. 8 is a reference perspective view thereof, showing a state in which a cover is attached; and, FIG. 9 is a reference view thereof, showing a state in which this article is placed in a loading stand. The broken lines are included for the purpose of illustrating the environmental structure and form no part of the claimed design.

1 Claim, 9 Drawing Sheets



(56)

References Cited

U.S. PATENT DOCUMENTS

2020/0122169 A1* 4/2020 Sugawara B05B 5/087

OTHER PUBLICATIONS

Ahier Bite Reliever,Bite Treatment, Apr. 28, 2019, Amazon.com, May 20, 2021.URL: <https://www.amazon.com/dp/B07R5JHF84> (Year: 2019).*

Japanese Office Action issued on Feb. 22, 2019, in Japanese Design Application No. 2018-017155 with English Translation citing document AO therein 4 pages.

* cited by examiner

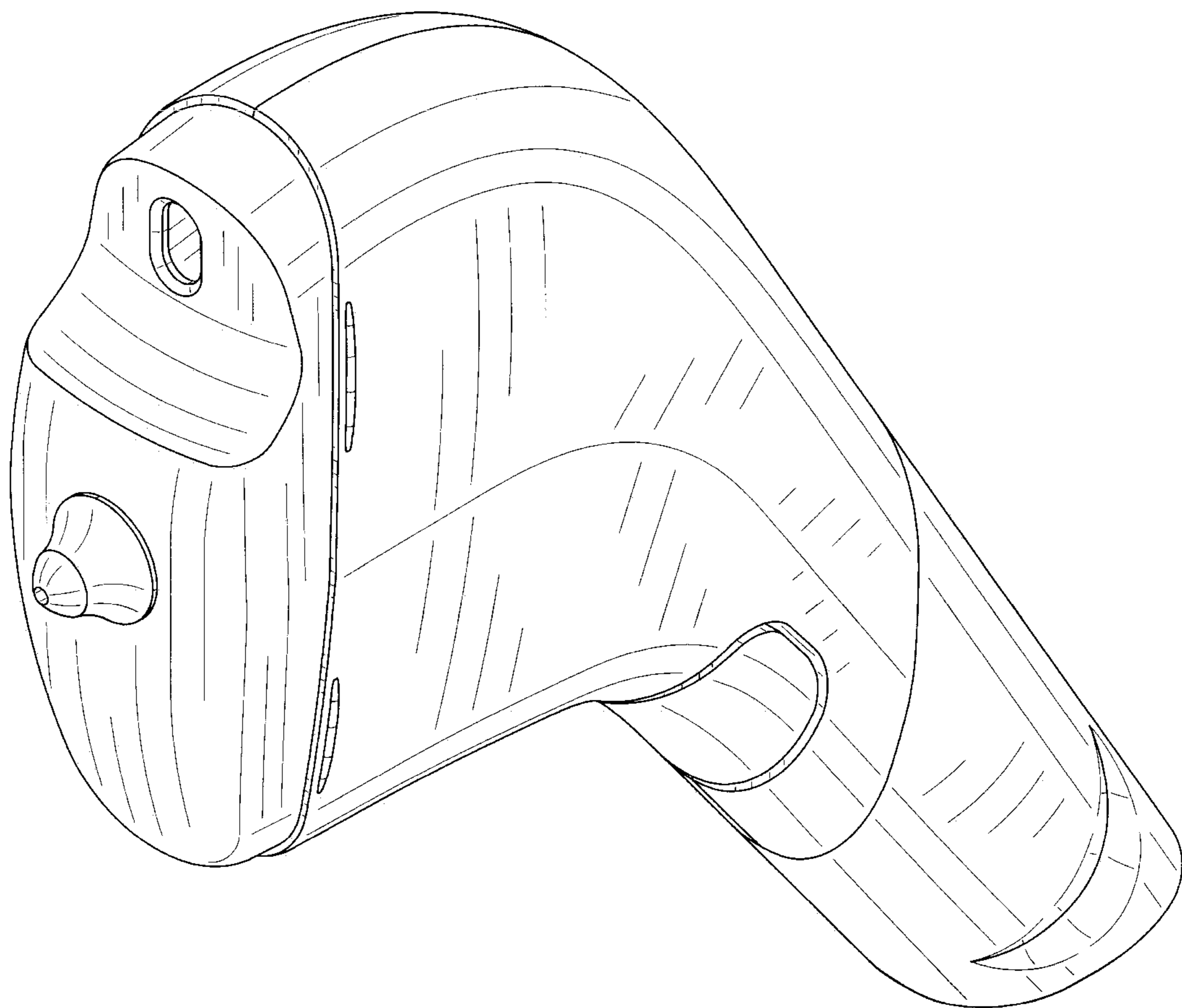


FIG. 1

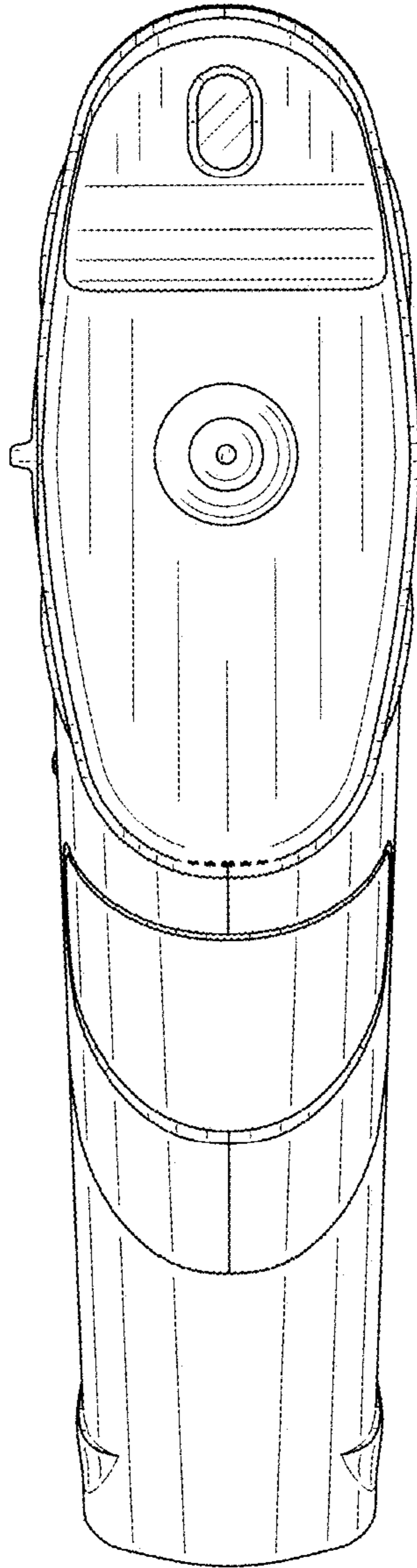


FIG. 2

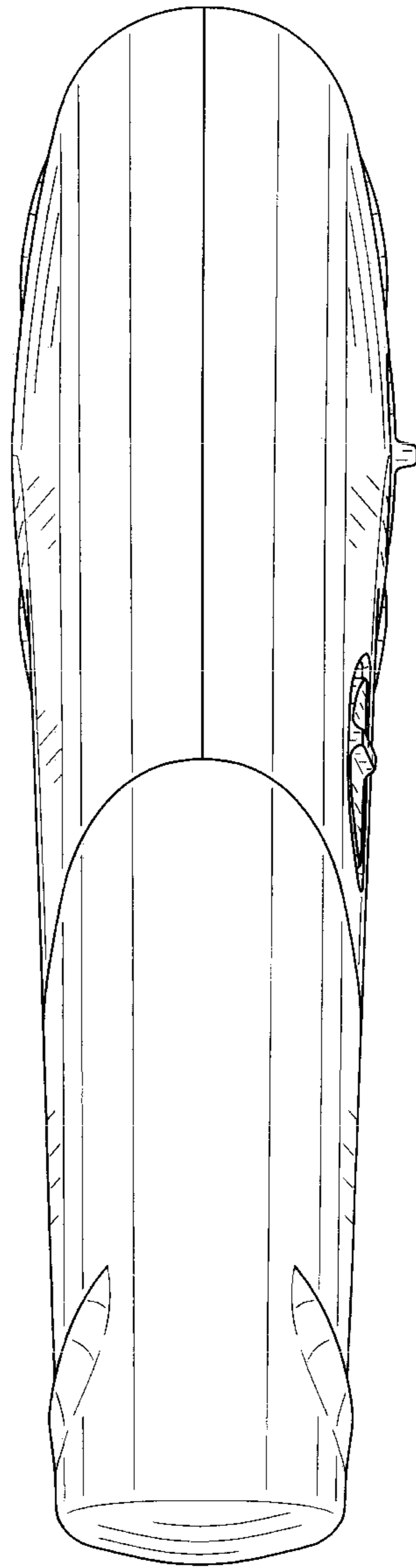


FIG. 3

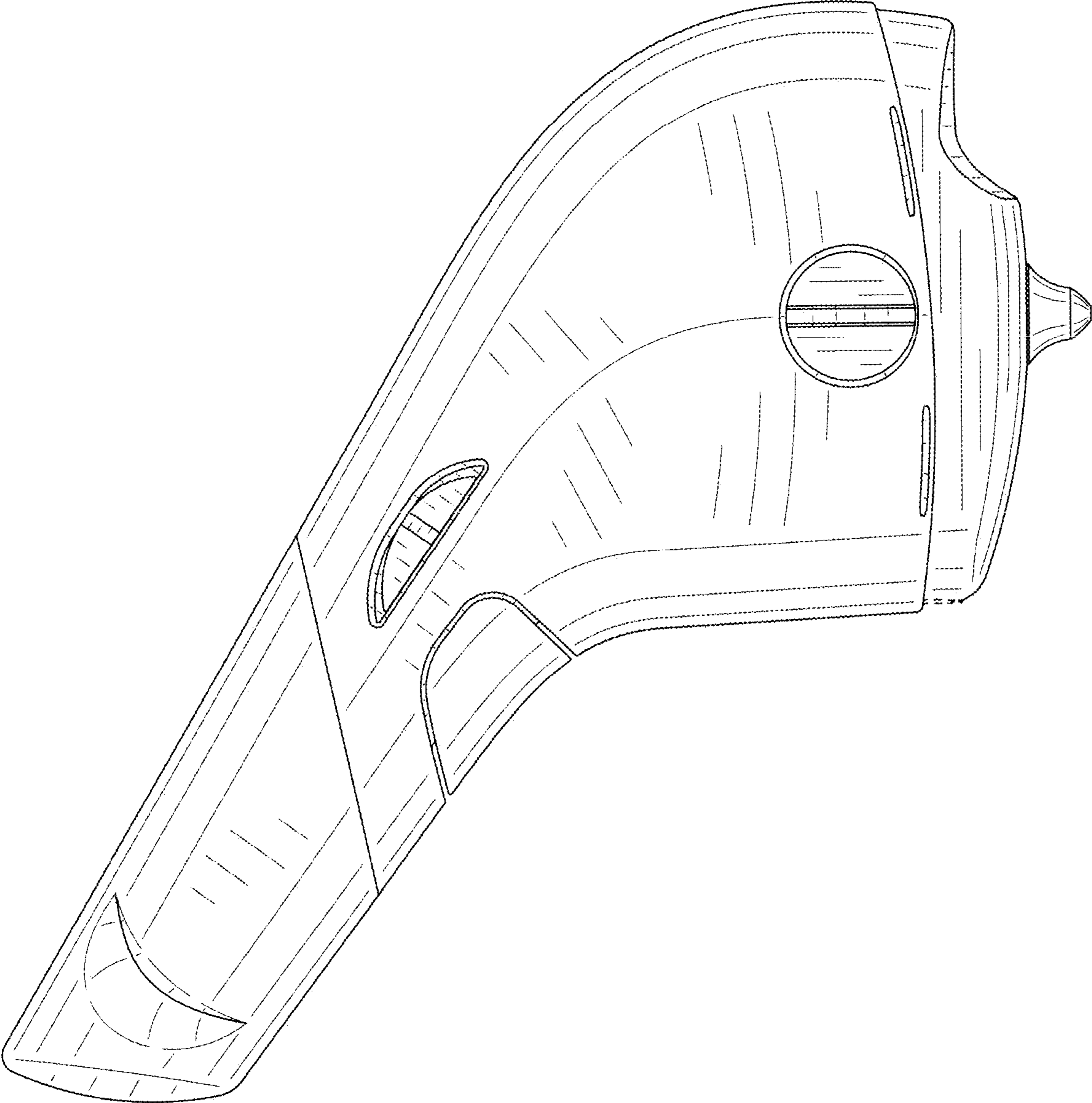


FIG. 4

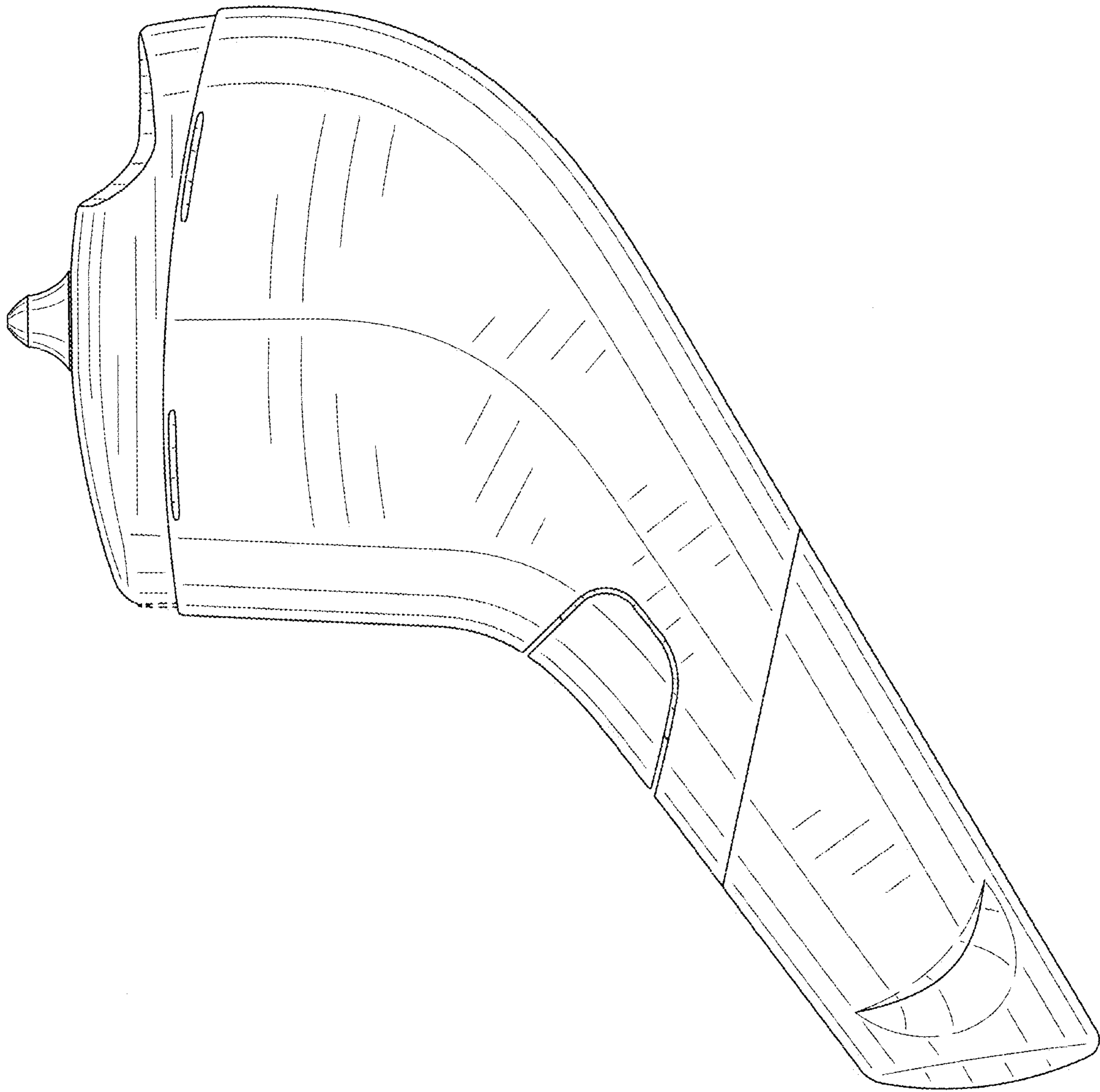


FIG. 5

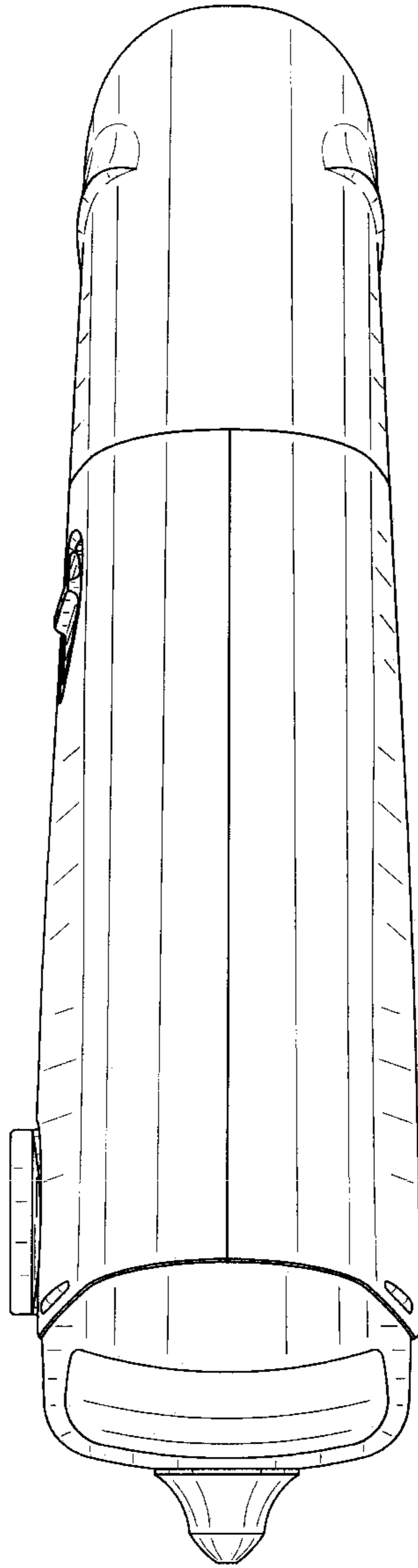


FIG. 6

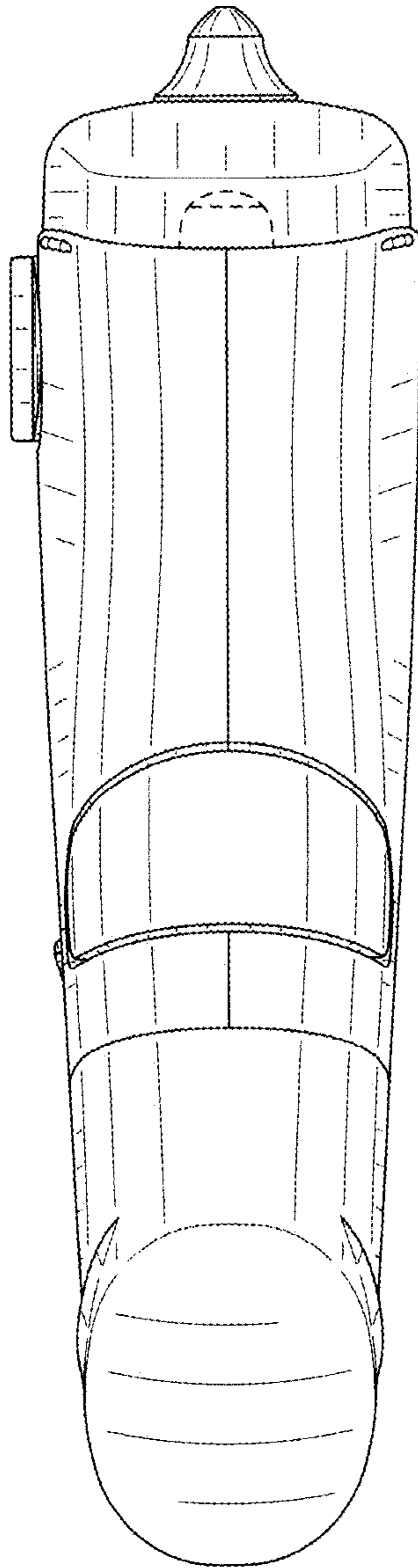


FIG. 7

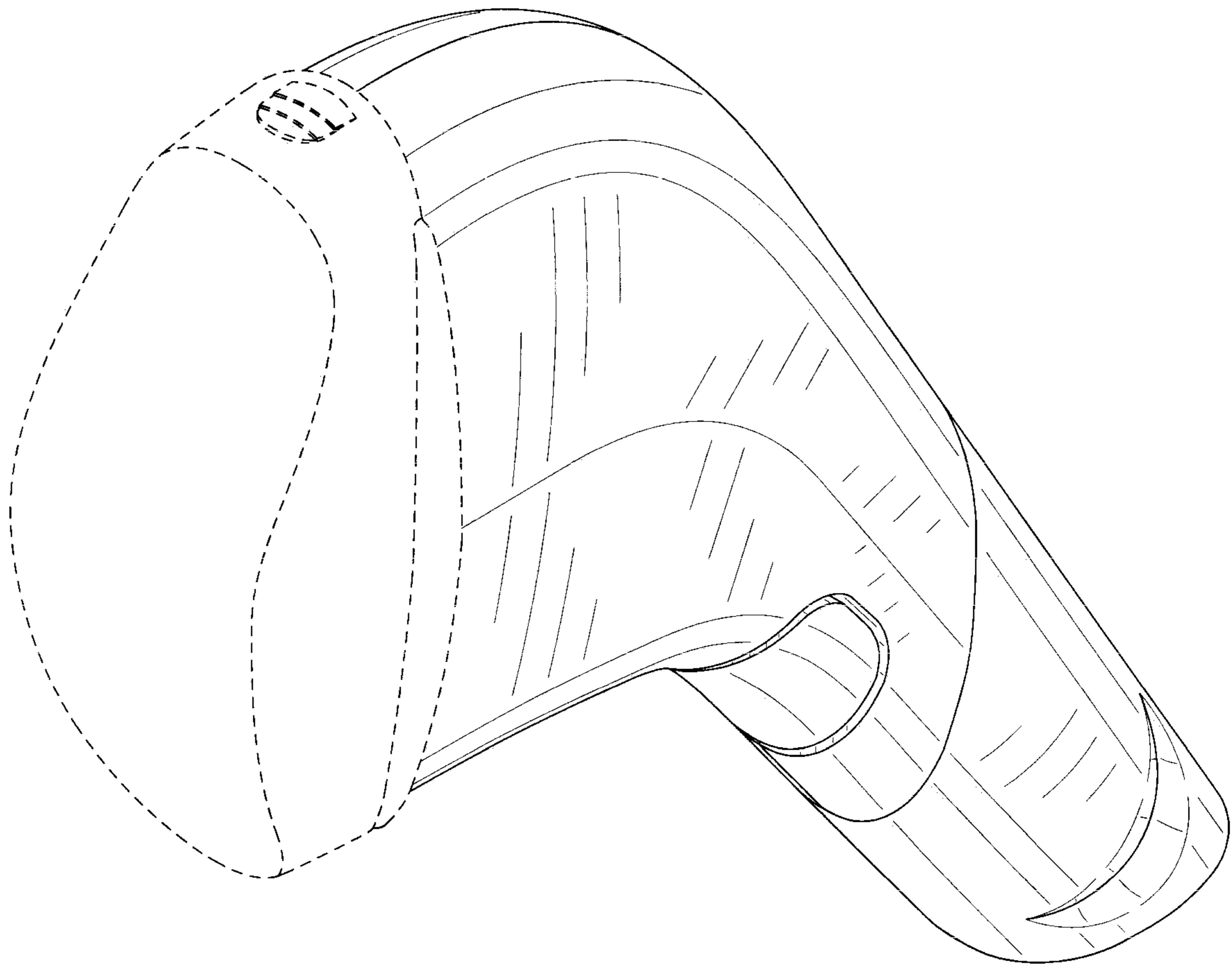


FIG. 8

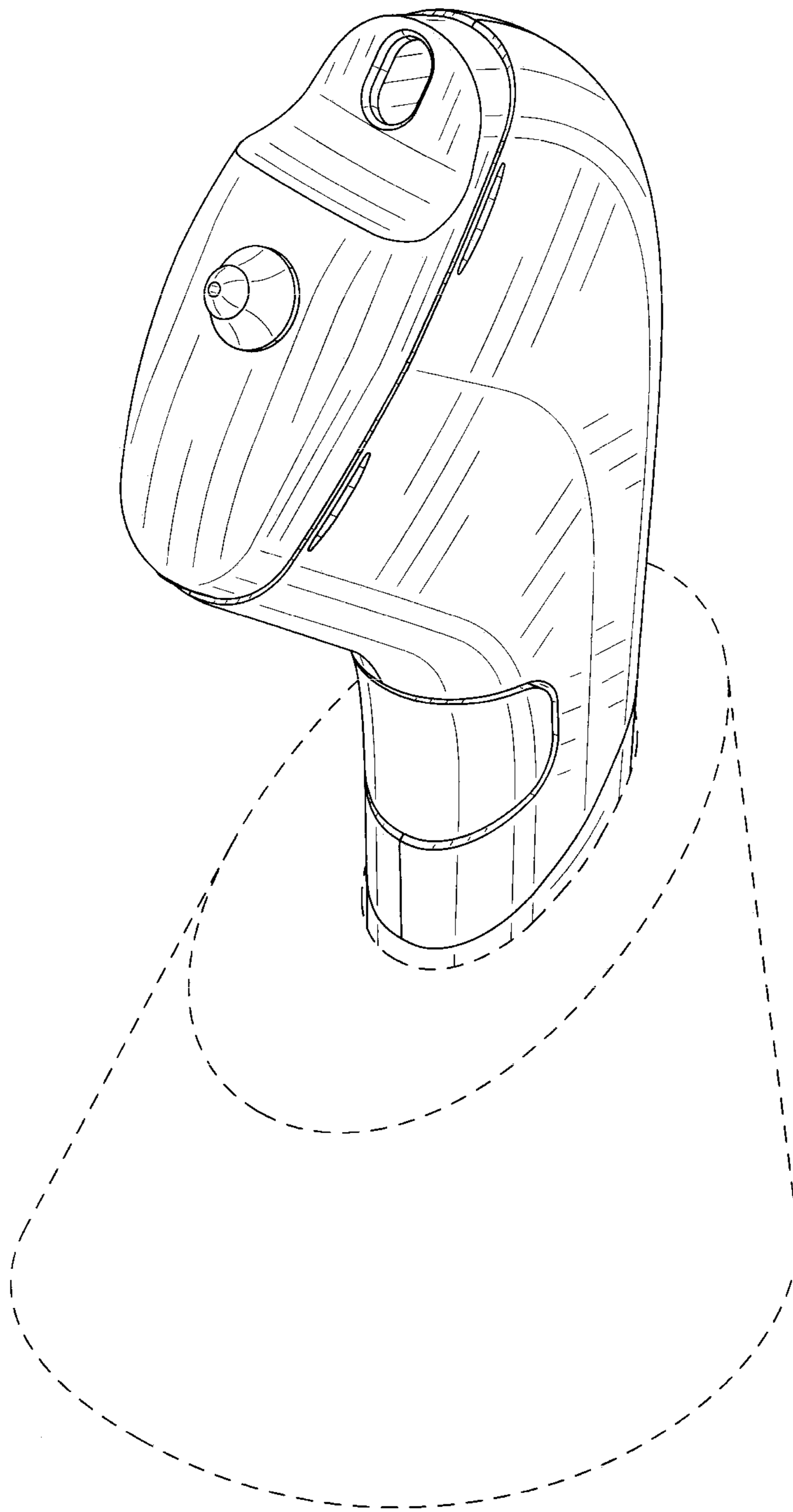


FIG. 9