



US00D931409S

(12) **United States Design Patent** (10) **Patent No.:** **US D931,409 S**
Stanca et al. (45) **Date of Patent:** **** *Sep. 21, 2021**

(54) **NOZZLE FOR HAND PUMP**
(71) Applicant: **Henkel IP & Holding GmbH**,
Duesseldorf (DE)
(72) Inventors: **Nicholas E. Stanca**, Westlake, OH
(US); **Ben Parker**, Chardon, OH (US);
Jess P. Carlson, Chagrin Falls, OH
(US); **Robert C. Allen**, Richmond
Heights, OH (US); **Paul D. Stephens**,
Twinsburg, OH (US); **David M. Pehar**,
Willoughby, OH (US)

D708,297 S * 7/2014 Williams D23/213
D708,298 S * 7/2014 Williams D23/213
D708,299 S * 7/2014 Williams D23/213
D709,989 S * 7/2014 Spraw D23/213
D714,420 S * 9/2014 Spraw D23/213
D714,907 S * 10/2014 Spraw D23/213
D715,399 S * 10/2014 Spraw D23/213
D715,400 S * 10/2014 Spraw D23/213
D715,401 S * 10/2014 Spraw D23/213
D715,897 S * 10/2014 Spraw D23/213

(Continued)

FOREIGN PATENT DOCUMENTS

DE 000349089-0001 * 7/2005 F16K 1/306

(73) Assignee: **Henkel IP & Holding GmbH**,
Duesseldorf (DE)

(*) Notice: This patent is subject to a terminal dis-
claimer.

(**) Term: **15 Years**

(21) Appl. No.: **29/668,403**

(22) Filed: **Oct. 30, 2018**

(51) **LOC (13) Cl.** **23-01**

(52) **U.S. Cl.**
USPC **D23/213**

(58) **Field of Classification Search**
USPC D23/213, 233, 235-237, 241-249, 262;
D7/669

CPC F16K 1/306; F16K 15/035; F16K 1/307;
F16K 1/303; F16K 1/304; F16K 1/52
See application file for complete search history.

(56) **References Cited**

U.S. PATENT DOCUMENTS

6,135,318 A * 10/2000 Valley B65D 47/242
222/48
7,708,211 B2 * 5/2010 Maier B05C 17/00516
239/456
D639,903 S * 6/2011 Plotzitzka D23/213
D670,356 S * 11/2012 Sanwald D23/213
D708,296 S * 7/2014 Williams D23/213

OTHER PUBLICATIONS

<http://dewcoin.co/how-to-make-water-sprayer/> (Year: 2018).*
https://www.amazon.com/Wholesale-Static-MA3-0-175-Nozzles-Epoxy/dp/B01IE3FGY4/ref=sr_1_91?dchild=1&keywords=epoxy+nozzle&qid=1600981435&sr=8-91 (Year: 2016).*

Primary Examiner — Manpreet S Matharu
Assistant Examiner — Keith J Wilson
(74) *Attorney, Agent, or Firm* — Steven C. Bauman

(57) **CLAIM**

The ornamental design for a nozzle for hand pump, as shown and described.

DESCRIPTION

FIG. 1 is a front, top, left side perspective view of a nozzle for hand pump, comprising a new, original and ornamental design;

FIG. 2 is a left side view thereof;

FIG. 3 is a right side view thereof;

FIG. 4 is a rear view thereof;

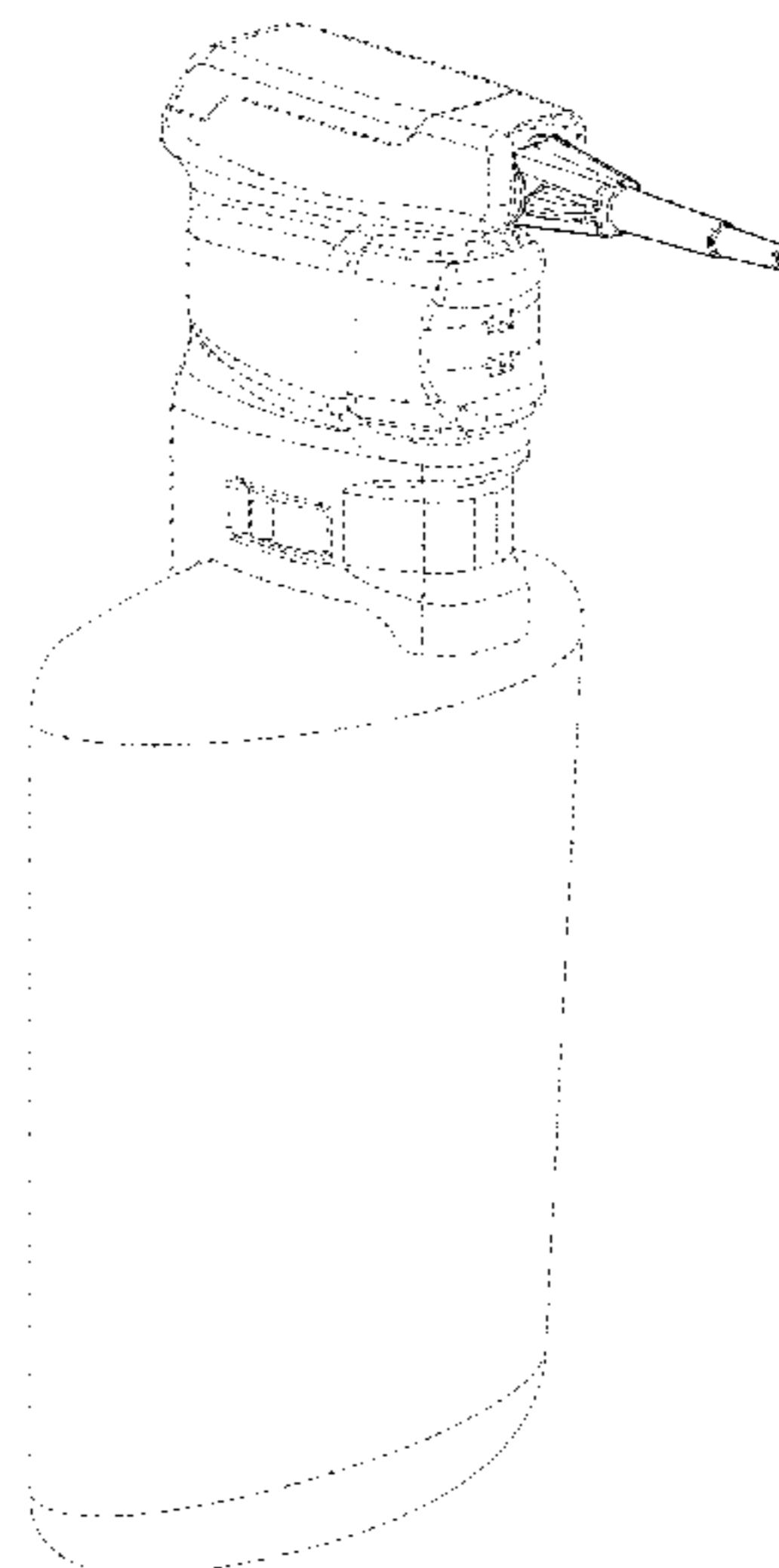
FIG. 5 is a front view thereof;

FIG. 6 is a top view thereof; and,

FIG. 7 is a bottom view thereof.

The broken lines shown represent portions of a hand pump and a bottle and form no part of the claimed design.

1 Claim, 5 Drawing Sheets



(56)

References Cited

U.S. PATENT DOCUMENTS

D734,427 S *	7/2015	Bygbjerg	D23/213
D796,001 S *	8/2017	Carroll	D23/213
D837,933 S *	1/2019	Carroll	D23/213
D856,479 S *	8/2019	Andrews	D23/233

* cited by examiner

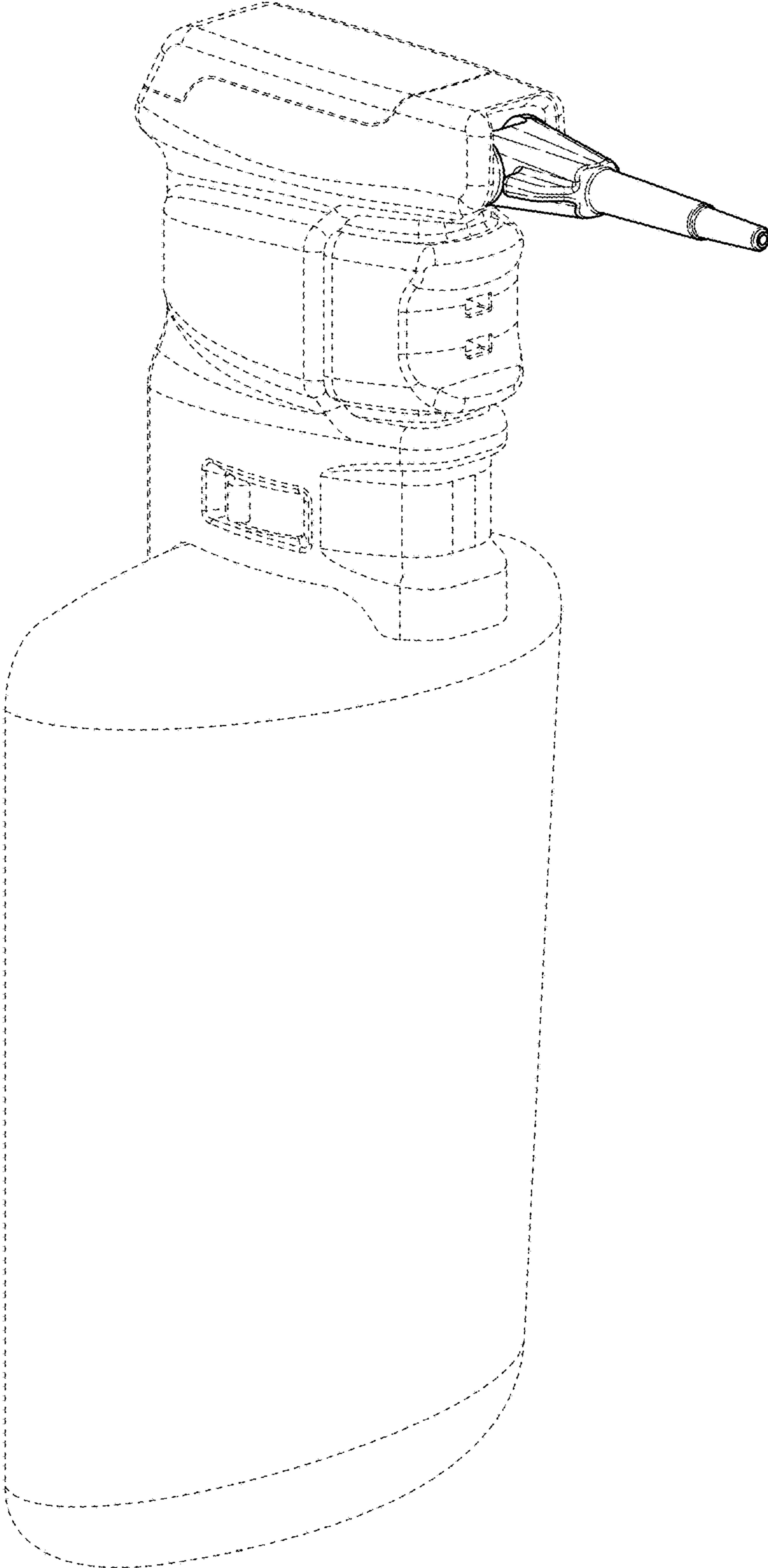


FIG. 1

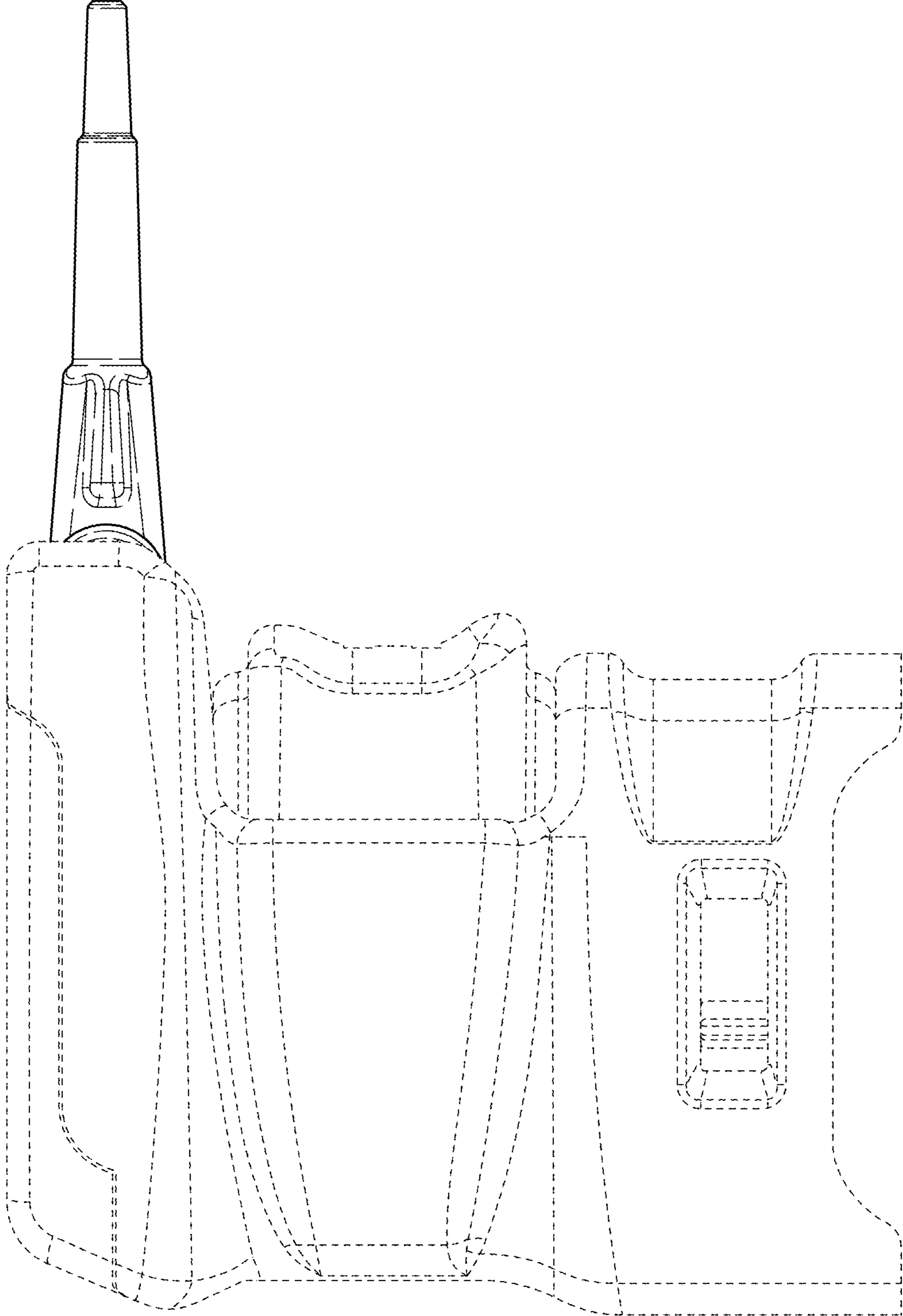


FIG. 2

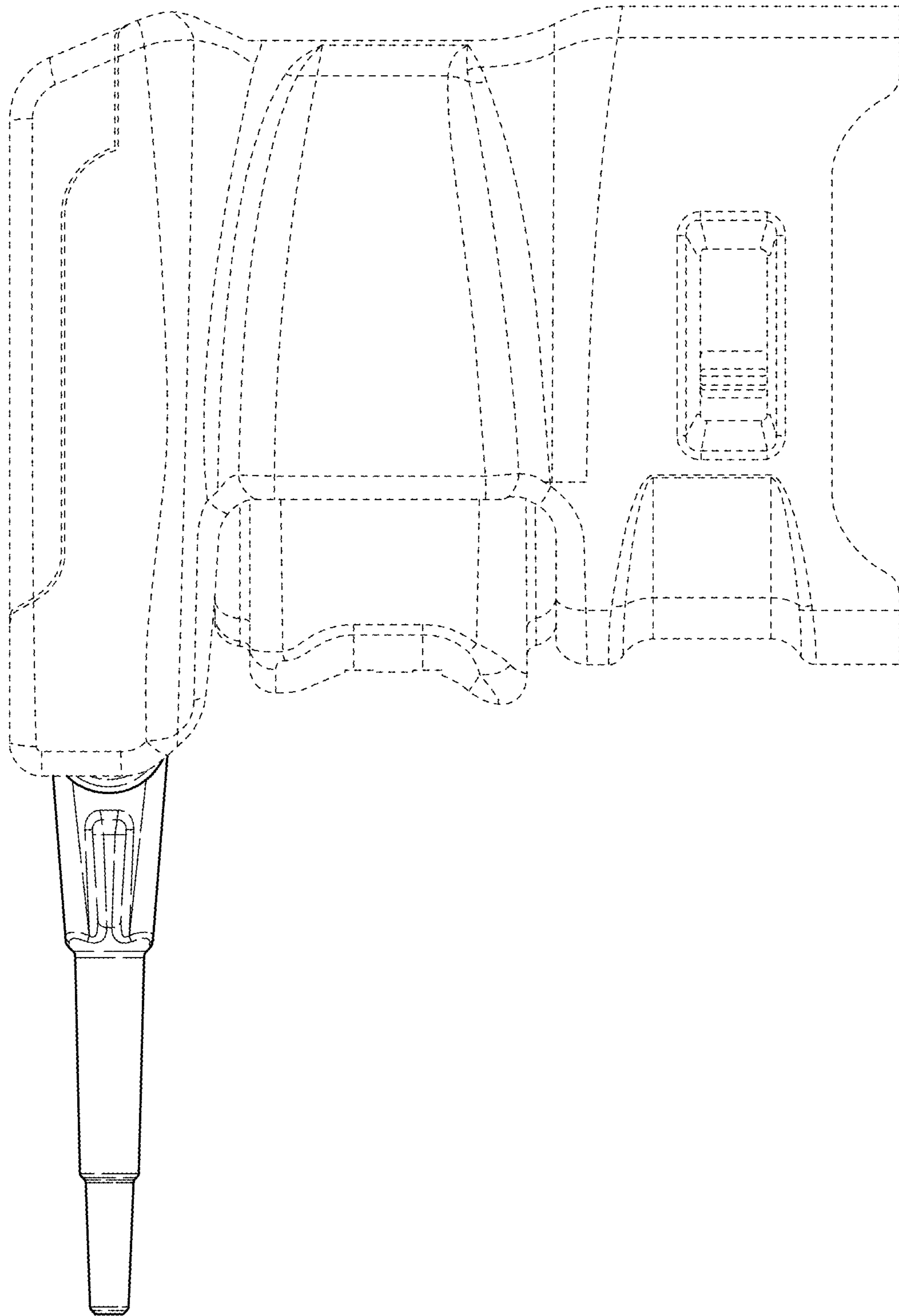


FIG. 3

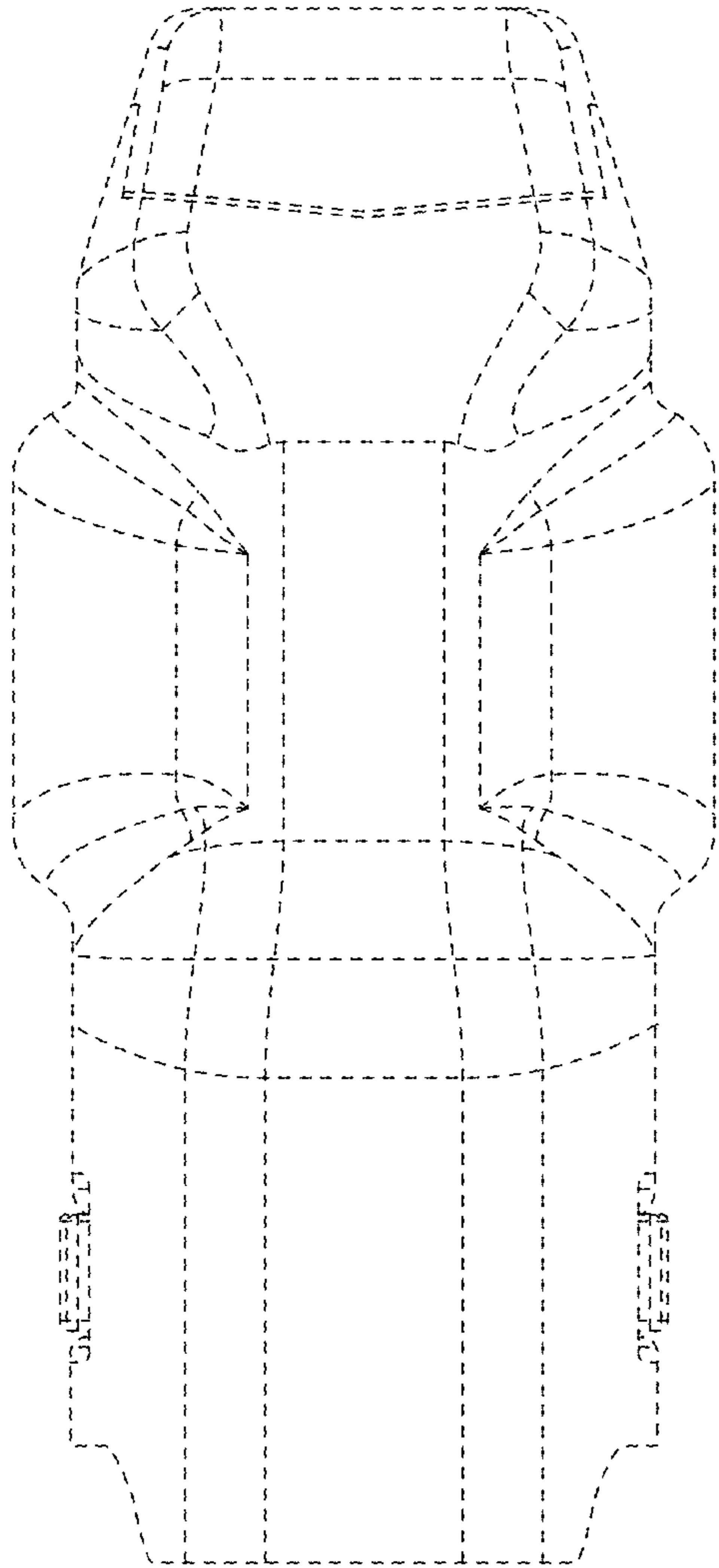


FIG. 4

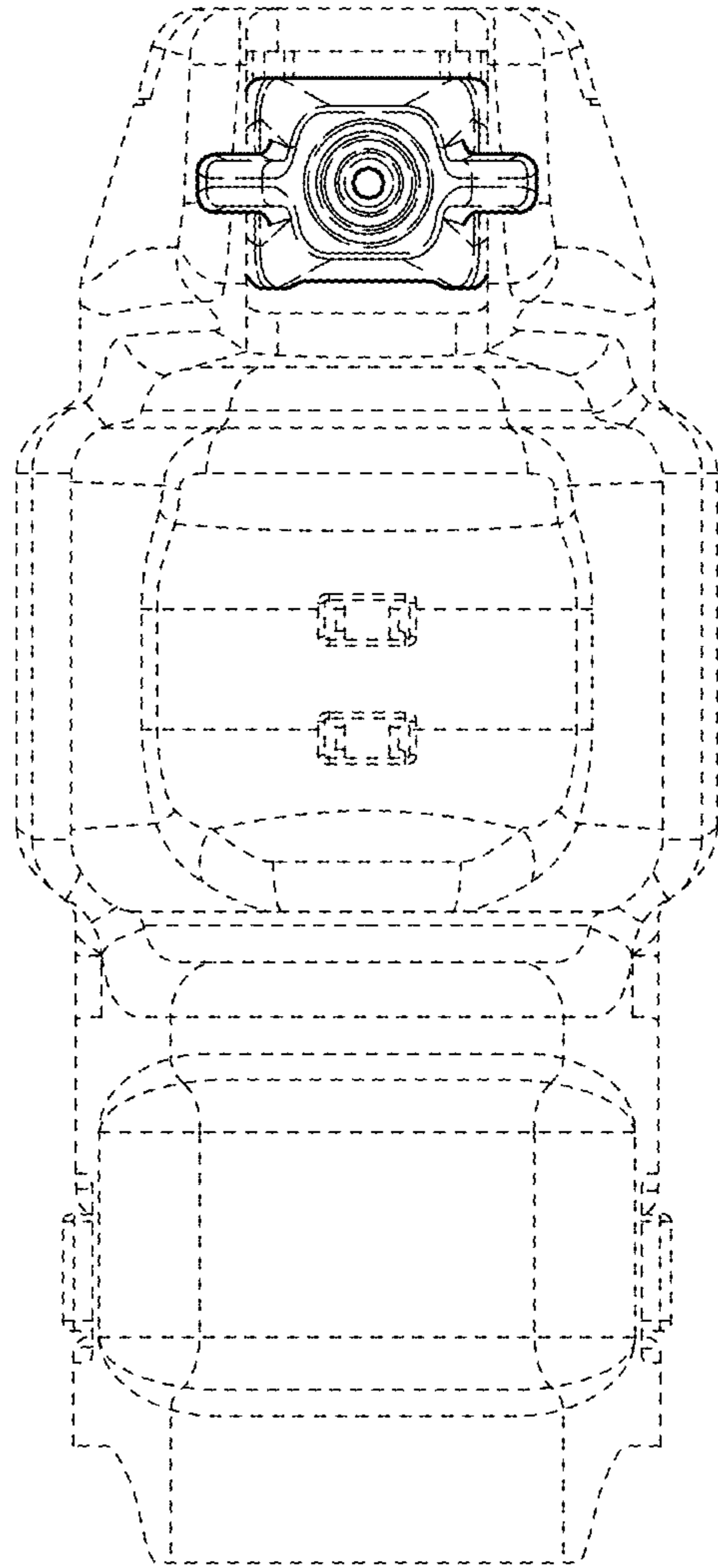


FIG. 5

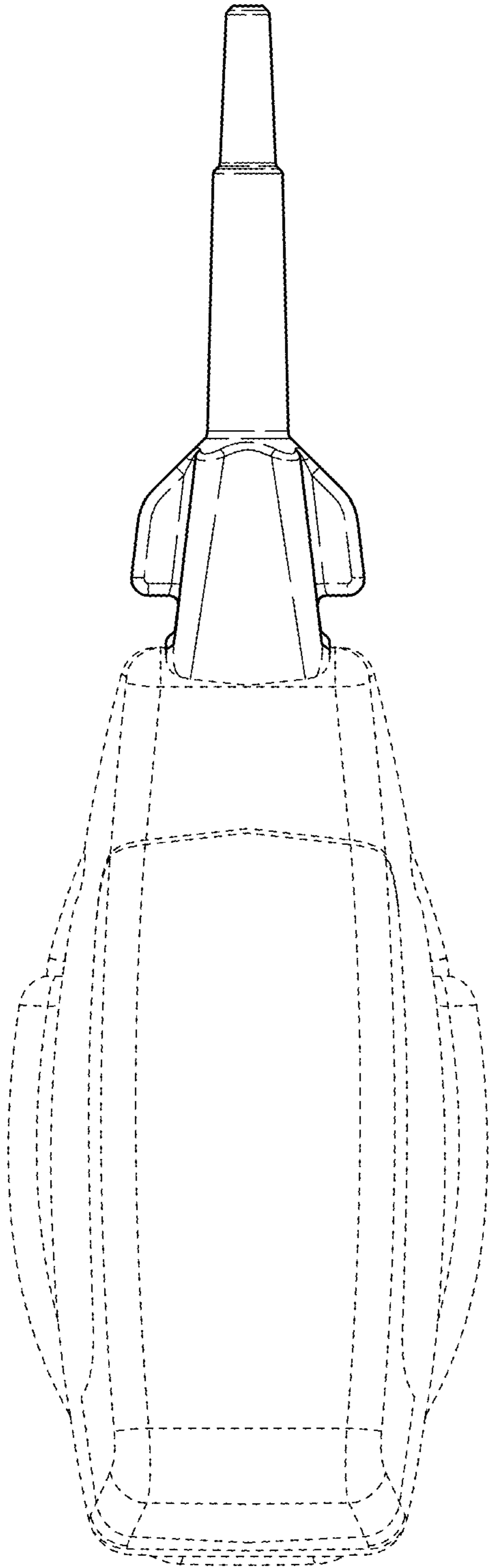


FIG. 6

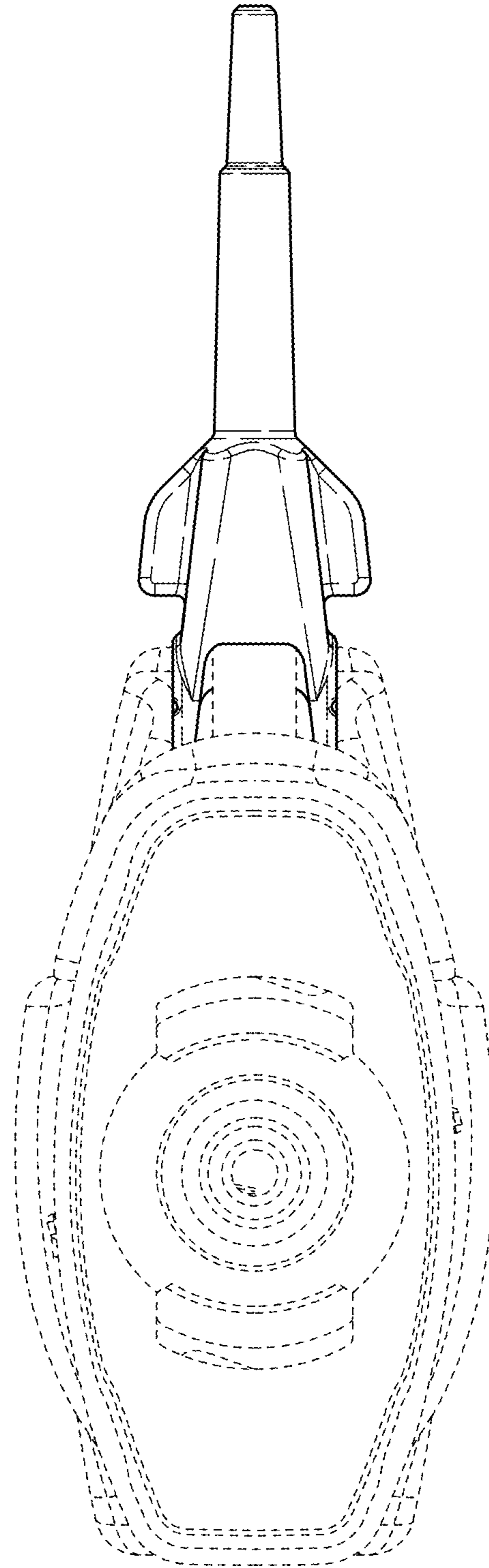


FIG. 7