



US00D931403S

(12) **United States Design Patent**
Deng

(10) **Patent No.:** **US D931,403 S**

(45) **Date of Patent:** **** Sep. 21, 2021**

(54) **MAGAZINE LOADER**

(71) Applicant: **Chaoying Deng**, Shaoyang (CN)

(72) Inventor: **Chaoying Deng**, Shaoyang (CN)

(**) Term: **15 Years**

(21) Appl. No.: **29/773,845**

(22) Filed: **Mar. 11, 2021**

(51) **LOC (13) Cl.** **22-01**

(52) **U.S. Cl.**
USPC **D22/108**

(58) **Field of Classification Search**
USPC D22/108
CPC F41A 9/83; F41A 9/82
See application file for complete search history.

(56) **References Cited**

U.S. PATENT DOCUMENTS

| | | | | |
|----------------|--------|----------|-------|--------------------|
| D477,047 S * | 7/2003 | Springer | | D22/108 |
| 6,754,987 B1 * | 6/2004 | Cheng | | F41A 9/83 42/87 |
| 7,503,138 B2 * | 3/2009 | Tal | | F41A 9/83 42/50 |

| | | | | |
|--------------|--------|--------------|-------|---------|
| D700,266 S * | 2/2014 | Tal | | D22/108 |
| D728,066 S * | 4/2015 | Tal | | D22/199 |
| D872,217 S * | 1/2020 | Tal | | D22/108 |
| D896,340 S | 9/2020 | Derus et al. | | |

* cited by examiner

Primary Examiner — Michael A. Pratt

(57) **CLAIM**

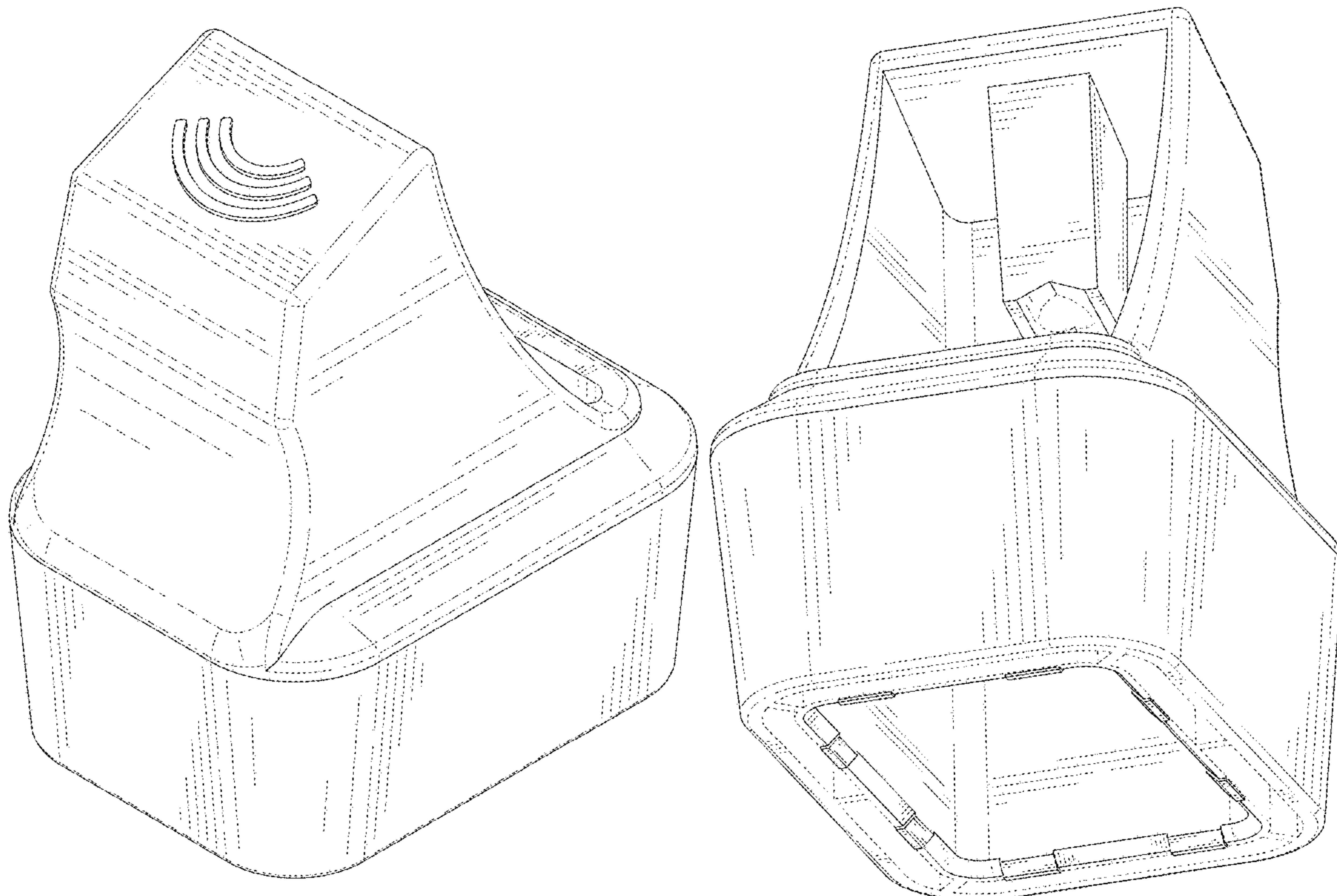
The ornamental design for a magazine loader, as shown and described.

DESCRIPTION

FIG. 1 is a perspective view of a magazine loader showing my new design;
 FIG. 2 is another perspective view thereof;
 FIG. 3 is a front elevational view thereof;
 FIG. 4 is a rear elevational view thereof;
 FIG. 5 is a left side elevational view thereof;
 FIG. 6 is a right side elevational view thereof;
 FIG. 7 is a top plan view thereof; and,
 FIG. 8 is a bottom plan view thereof.

The broken lines in the drawings depict portions of the magazine loader that form no part of the claimed design.

1 Claim, 8 Drawing Sheets



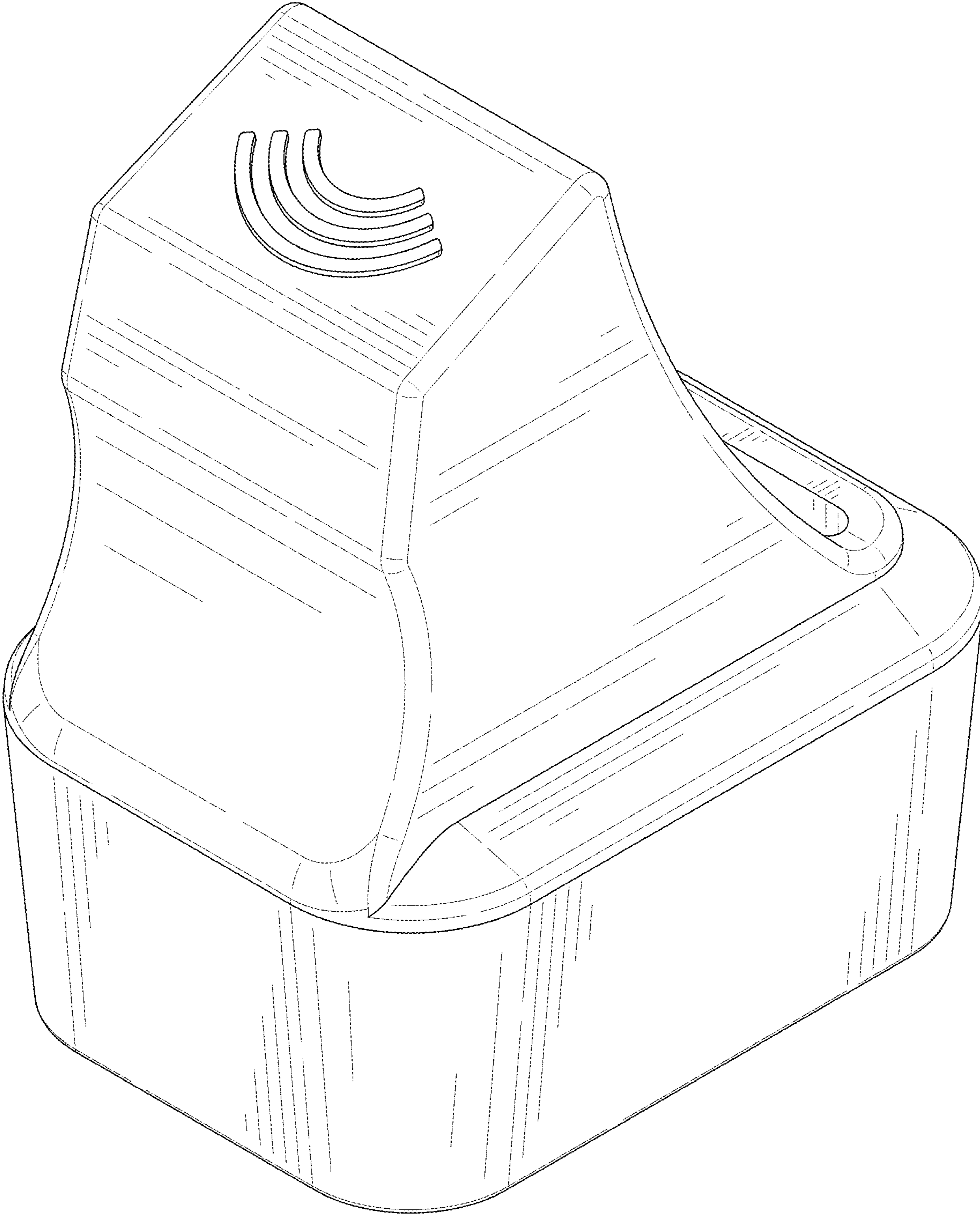


FIG. 1

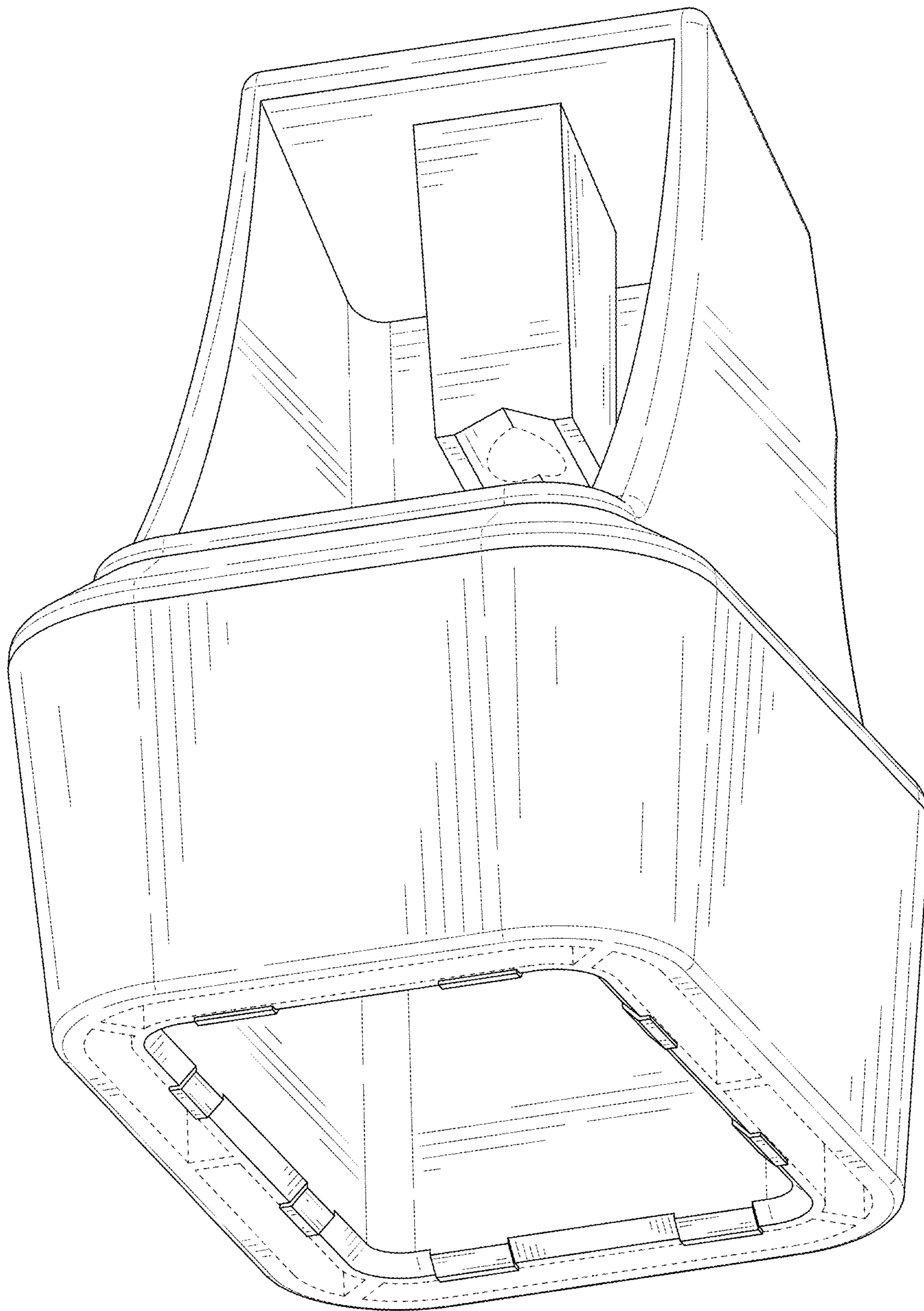


FIG. 2

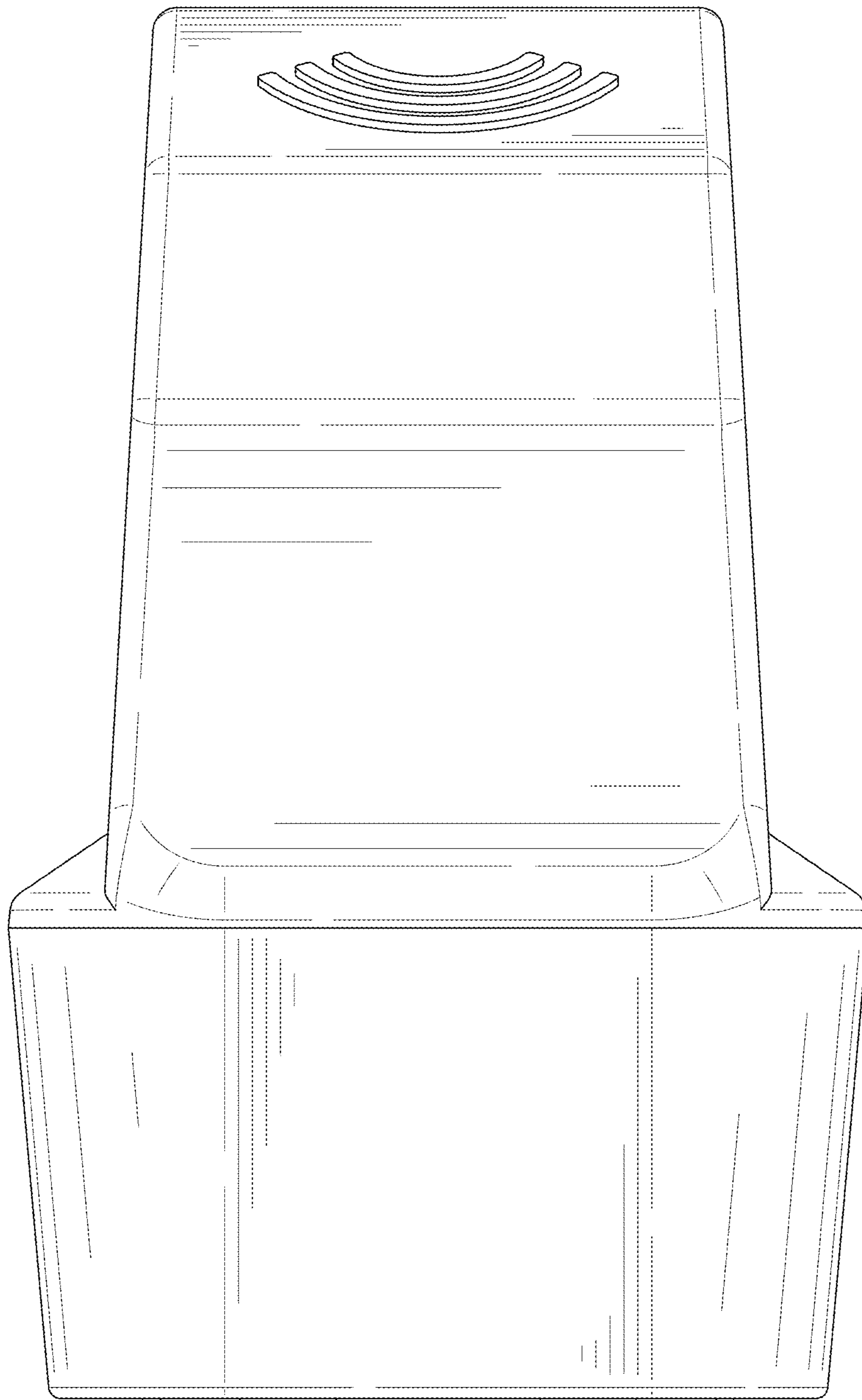


FIG. 3

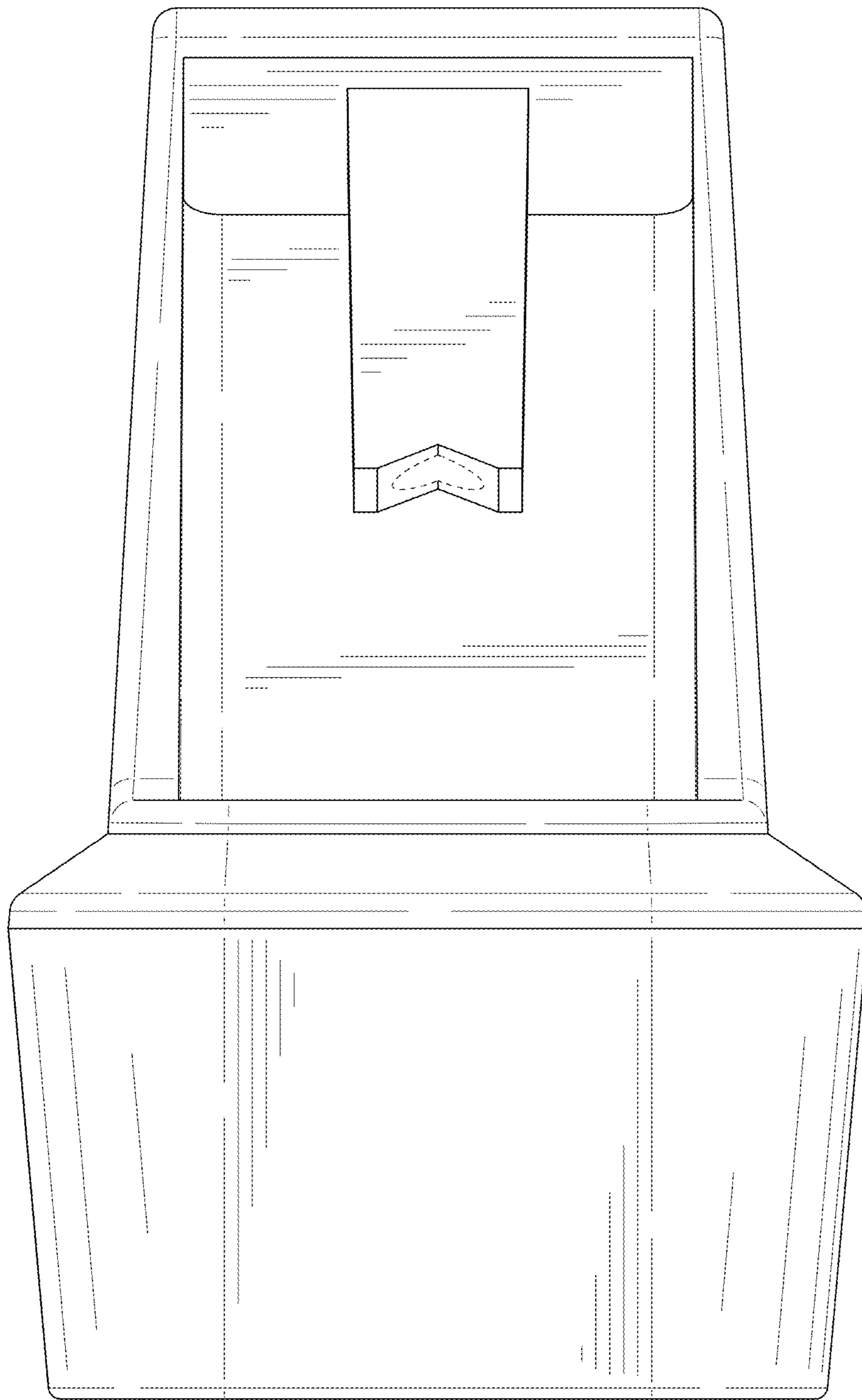


FIG. 4

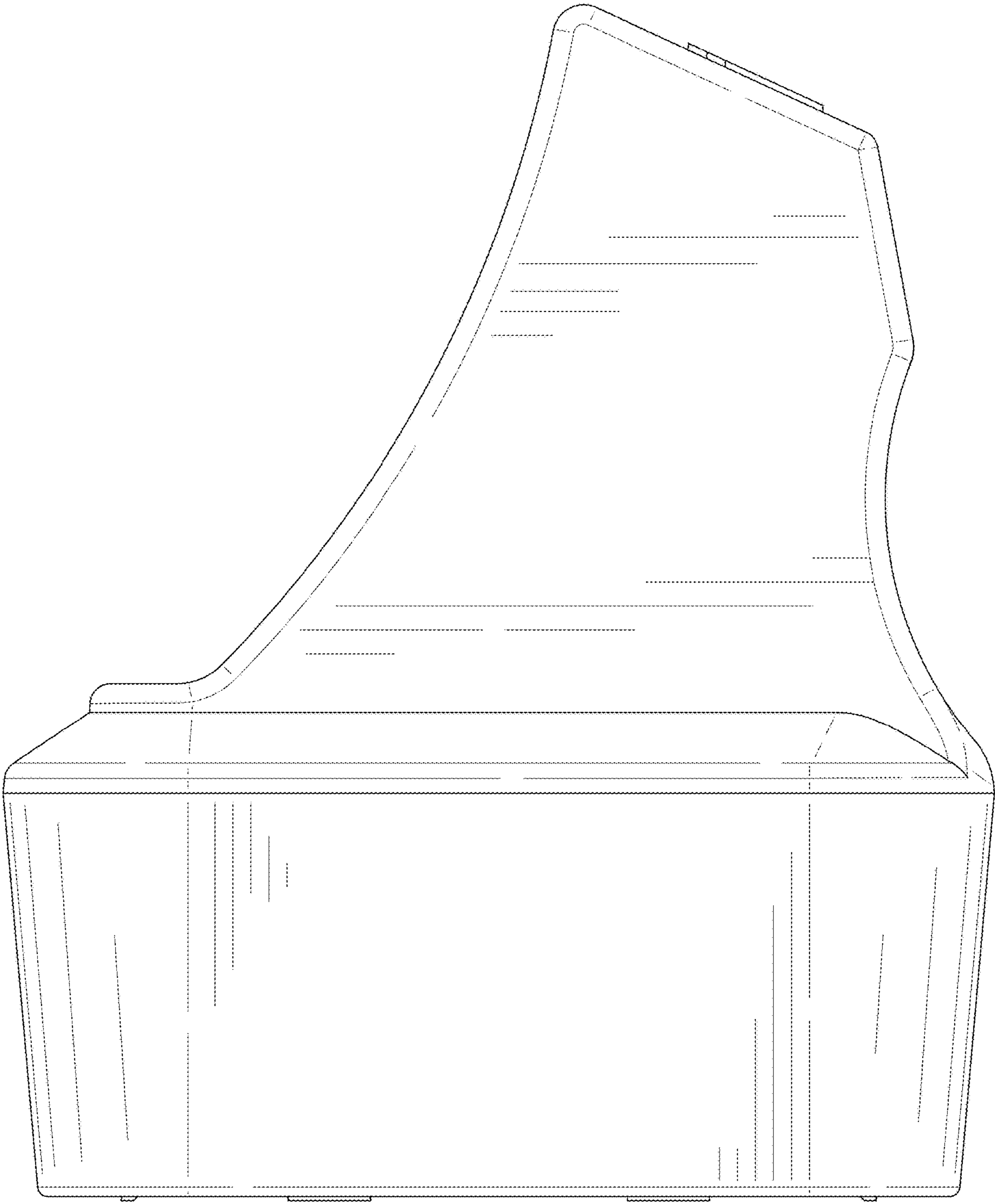


FIG. 5

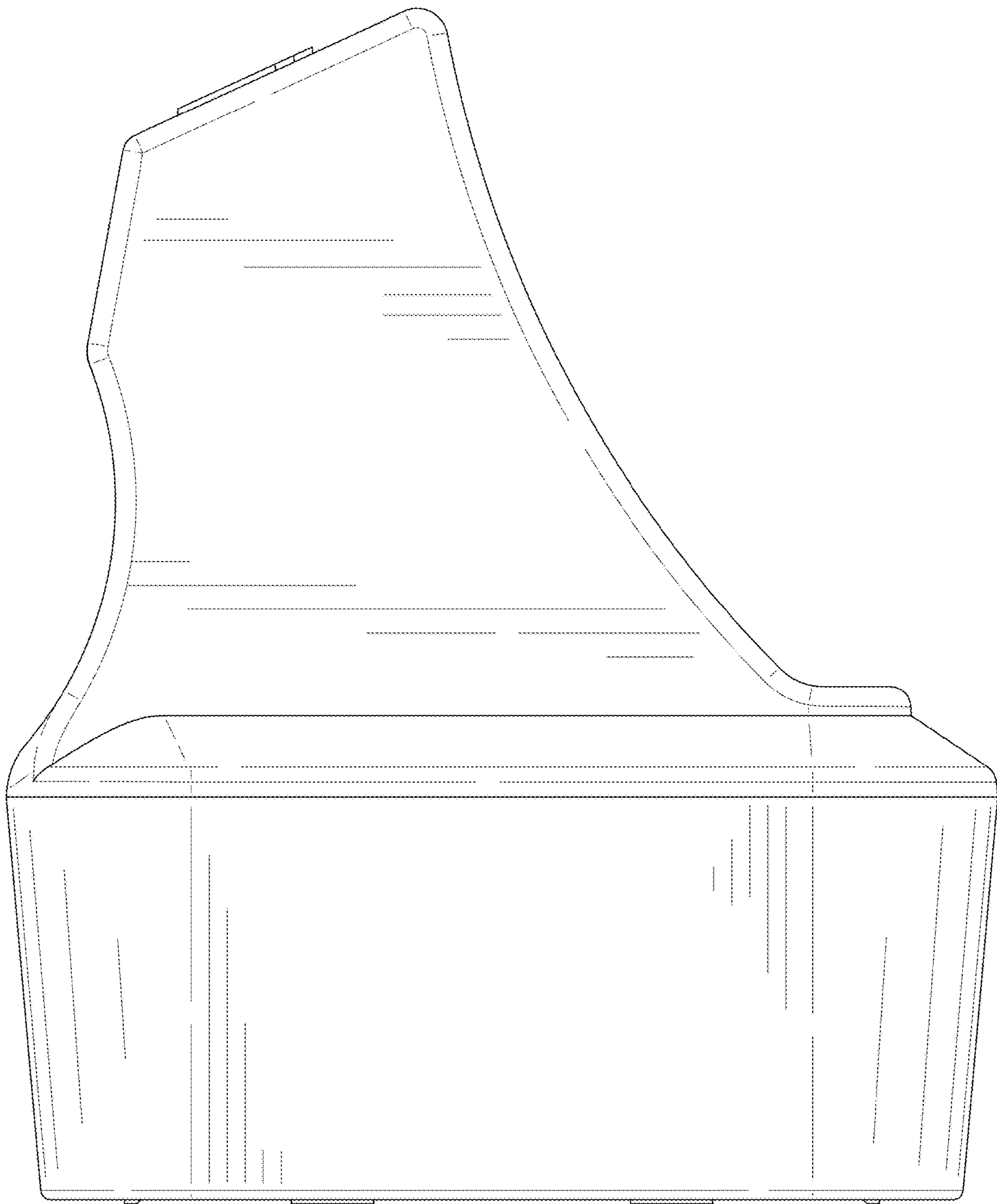


FIG. 6

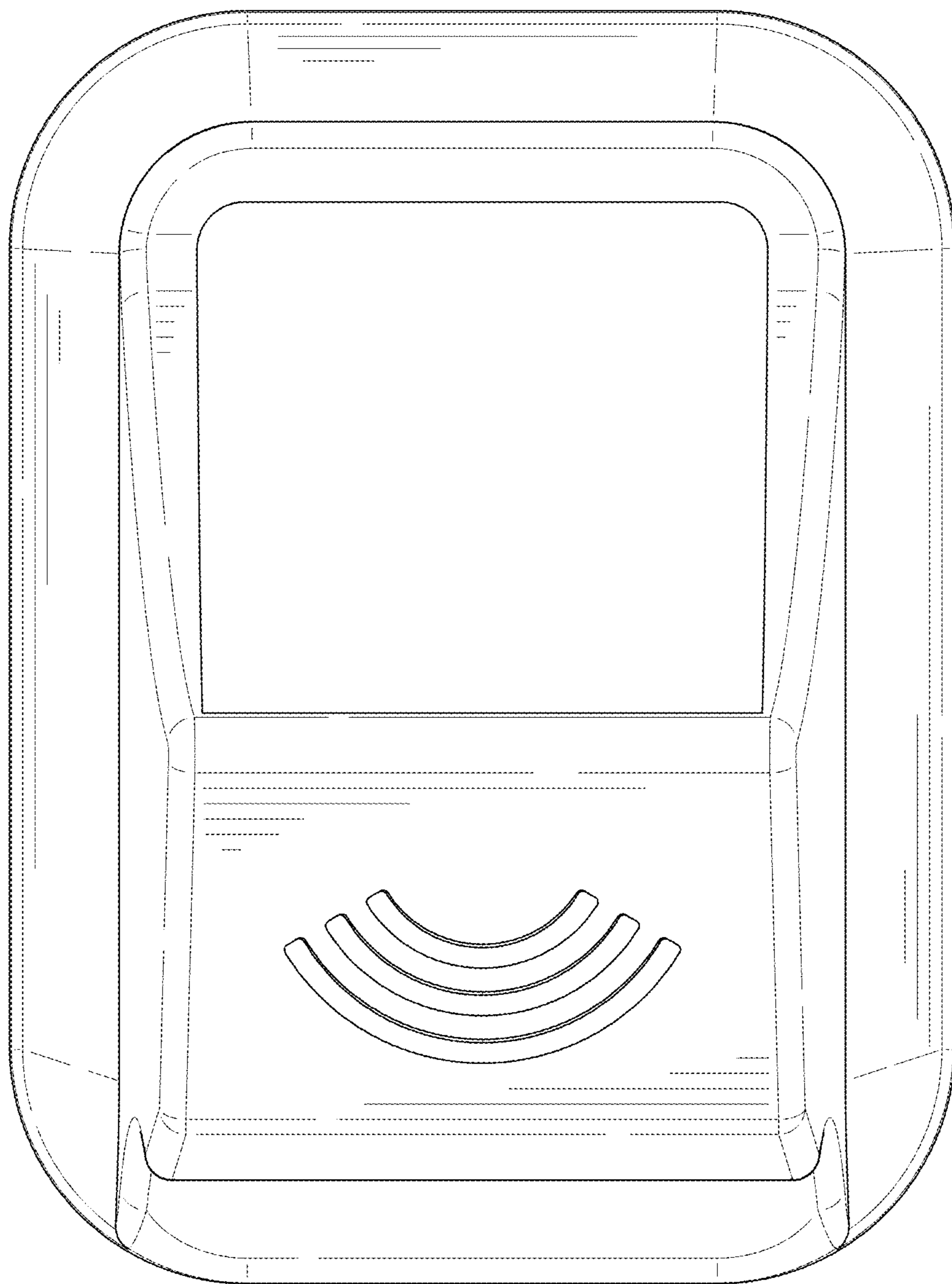


FIG. 7

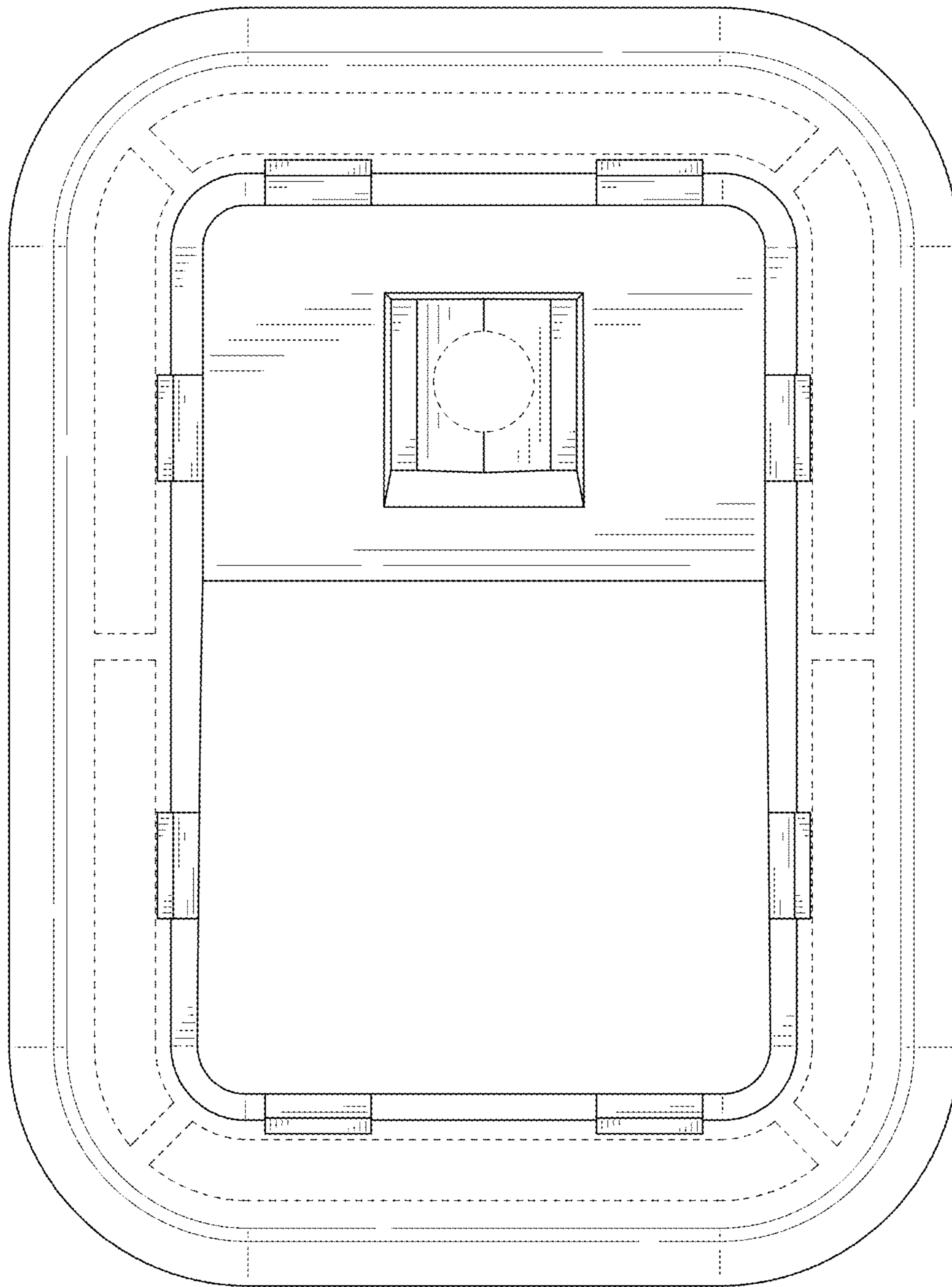


FIG. 8