



US00D931402S

(12) **United States Design Patent** (10) **Patent No.:** **US D931,402 S**
Brittingham et al. (45) **Date of Patent:** **** Sep. 21, 2021**

(54) **SUPPRESSOR TOOL**

FOREIGN PATENT DOCUMENTS

(71) Applicant: **Q, LLC**, Portsmouth, NH (US)

DE 102012012217 A1 12/2013

(72) Inventors: **Kevin Brittingham**, Portsmouth, NH (US); **Ethan Lessard**, East Kingston, NH (US); **Brian McDonald**, Portsmouth, NH (US)

OTHER PUBLICATIONS

Young, CN Design No. 301815287, published at Orbit, publication date Jan. 25, 2012. Site visited Jul. 3, 2021. Available from Internet. (Year: 2012).*

(73) Assignee: **Q, LLC**, Portsmouth, NH (US)

(Continued)

(**) Term: **15 Years**

Primary Examiner — Kathleen L Jones

(21) Appl. No.: **29/739,398**

(74) *Attorney, Agent, or Firm* — Fox Rothschild LLP

(22) Filed: **Jun. 25, 2020**

(57) **CLAIM**

The ornamental design for a suppressor tool, as shown and described.

Related U.S. Application Data

DESCRIPTION

(62) Division of application No. 29/707,929, filed on Oct. 2, 2019, now Pat. No. Des. 898,857, which is a division of application No. 29/603,015, filed on May 5, 2017, now Pat. No. Des. 867,511.

FIG. 1 is an isometric view of a suppressor tool according to the present disclosure;
FIG. 2 is an isometric view of an open configuration of the suppressor tool of FIG. 1;
FIG. 3 is a front view of the suppressor tool of FIG. 1;
FIG. 4 is a rear view of the suppressor tool of FIG. 1;
FIG. 5 is a right side view of the suppressor tool of FIG. 1;
FIG. 6 is a left side view of the suppressor tool of FIG. 1;
FIG. 7 is a top view of the suppressor tool of FIG. 1;
FIG. 8 is a bottom view of the suppressor tool of FIG. 1;
FIG. 9 is an isometric view of the suppressor tool of FIG. 1 in an environment of use;
FIG. 10 is an isometric view of the suppressor tool of FIG. 1 in an environment of use; and,
FIG. 11 is an isometric view of the suppressor tool of FIG. 1 in an environment of use.
The broken lines in the Figures illustrate portions of the article and environmental structure that form no part of the claimed design.

(51) **LOC (13) Cl.** **22-01**

(52) **U.S. Cl.**
USPC **D22/108**

(58) **Field of Classification Search**
USPC D22/108, 199, 113, 133
CPC F41A 21/487
See application file for complete search history.

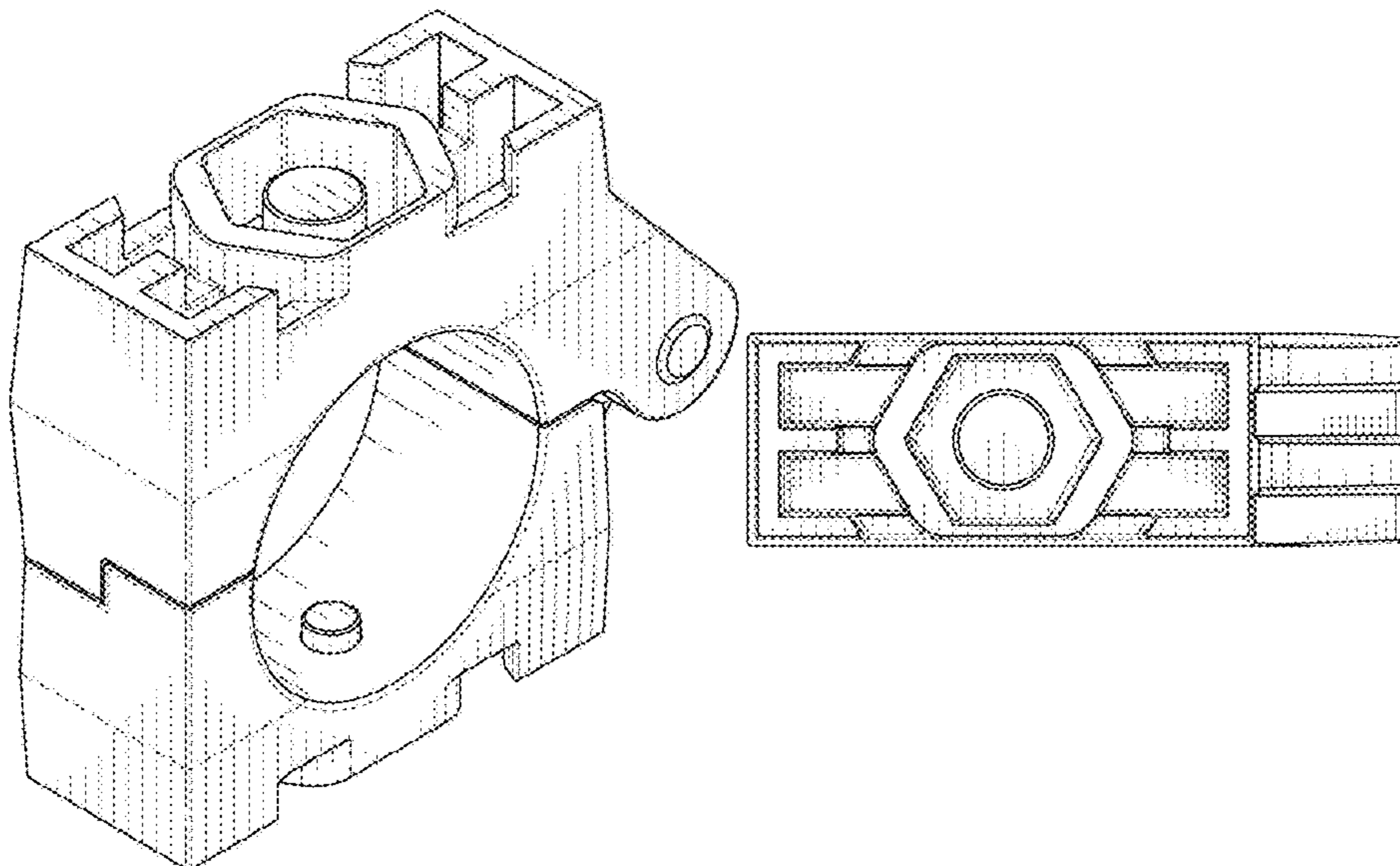
(56) **References Cited**

U.S. PATENT DOCUMENTS

D212,690 S	*	11/1968	Kuharsky, Jr.	D22/110
D262,690 S		1/1982	Berry et al.		
D391,335 S		2/1998	Bechtel		
D403,393 S		12/1998	Weast		
5,864,957 A	*	2/1999	Small	F41G 1/54 42/111
D406,632 S		3/1999	Edgar		
D415,239 S		10/1999	Fell et al.		

(Continued)

1 Claim, 6 Drawing Sheets



(56)

References Cited

U.S. PATENT DOCUMENTS

D426,612 S 6/2000 Primeau, IV
 D442,852 S 5/2001 Gopalraja et al.
 D444,531 S 7/2001 Squillante et al.
 D456,234 S 4/2002 Keller
 6,660,134 B1 12/2003 Gopalraja et al.
 D536,055 S * 1/2007 Frost D22/110
 D554,730 S 11/2007 Coggins
 D591,324 S 4/2009 Sukhov
 D622,807 S * 8/2010 Stone D22/199
 D636,790 S 4/2011 Brooks et al.
 D657,840 S 4/2012 Prieto
 8,171,666 B2 5/2012 Karagias
 D675,698 S 2/2013 Bietsch
 D681,767 S 5/2013 Li et al.
 D693,897 S 11/2013 Javorsky
 D697,993 S * 1/2014 Satzinger D22/108
 D709,979 S 7/2014 Prieto
 8,961,340 B2 2/2015 Boatwright et al.
 D753,990 S * 4/2016 Swan D8/395
 9,784,535 B1 * 10/2017 Cheng F41G 1/545
 D802,406 S 11/2017 Milner et al.
 D813,339 S 3/2018 Maroney
 D815,184 S 4/2018 Gu
 D822,091 S 7/2018 Zheng et al.
 D826,360 S 8/2018 Cheng et al.
 D829,294 S 9/2018 Cheng et al.
 D835,505 S 12/2018 De Los Santos
 D847,932 S 5/2019 Reavis, III
 D851,199 S 6/2019 Ding et al.
 D852,308 S * 6/2019 Ethridge D22/108
 10,386,147 B1 * 8/2019 Fan F41A 21/36
 D859,136 S 9/2019 Tenander et al.
 D859,959 S * 9/2019 Sawyer D8/356
 D867,511 S * 11/2019 Brittingham D22/108
 10,539,387 B1 1/2020 Joplin et al.
 D875,199 S 2/2020 Hu
 D885,508 S 5/2020 Spector et al.
 10,641,573 B2 5/2020 Jen et al.
 D894,316 S * 8/2020 Bergman D22/108
 D898,857 S * 10/2020 Brittingham D22/108
 D904,548 S * 12/2020 Chen D22/108
 2015/0198405 A1 7/2015 Keng
 2015/0266168 A1 9/2015 Geissele
 2015/0369555 A1 12/2015 Daniel et al.
 2016/0025449 A1 1/2016 Verba et al.
 2016/0066465 A1 * 3/2016 Peng F16B 2/065
 361/747

2017/0205178 A1 7/2017 Niswander et al.
 2017/0268844 A1 9/2017 Smith
 2017/0284760 A1 10/2017 Maffett
 2018/0202742 A1 * 7/2018 Brittingham F41A 21/30
 2018/0306545 A1 * 10/2018 Brittingham B25B 13/48
 2019/0072351 A2 * 3/2019 Brittingham F41A 21/30
 2019/0086175 A1 3/2019 Karagias
 2019/0154396 A1 5/2019 Zinsner et al.
 2020/0025498 A1 1/2020 Wheeler
 2020/0103194 A1 4/2020 Oliver

OTHER PUBLICATIONS

Rifle Mount Clamp for Rigid Molle Panels, posted at ODSGear, posting date not available, site visited Jul. 3, 2021. URL: <<https://www.odsgear.com/product/rifle-mount-clamp-for-rigid/>>.*
 AAC Prodigy Disassembly Tool, posted at Silencer Shop, image copyright 2011, site visited Mar. 4, 2019 URL:<<https://www.silencership.com/gear/tools/aac-prodigy-disassembly-tool.html>> (Year 2011).
 Osprey Booster Disassembly Tool, posted at Silencer Co, posting date not available, site visited Mar. 4, 2019. URL: <<https://www.store.silencerco.com/products/replacement-osprey-booster-disassembly-tool?variant=221756542>>.
 Suppressor Disassembly Tool, posted at ShopRuger, posting date Jan. 18, 2016. Site visited Mar. 4, 2019. URL:<<https://web.archive.org/web/20160118232701/http://shopruger.com/Suppressor-Disassembly-Tool/productinfo/90557/>>(Year: 2016).
 Iainf, A bayonet mount, posted at Wikipedia, posting date Jul. 8, 2006. Site visited Jun. 3, 2010. URL: <https://en.wikipedia.org/wiki/Bayonet_mount#/media/File:Bayonet-mount-01.svg> (Year: 2006).
 Mercier, Adam, Making a Locking Mechanism Slot Along a Cylinder, posted at Onshape, posting date Jan. 2016. Site visited Jun. 3, 2020. URL: <https://forum.onshape.com/discussion/2482/making-a-locking-mechanism-slot-along-a-cylinder>> (Year: 2016).
 Amphenol. MS-A 8 Way Cable MIL Spec Circular Connector Plug, posted at RS Online, posting date not available. Site visited Jun. 3, 2020. URL: <<https://uk.rs-online.com/web/p/mil-spec-circular-connectors/2004763/>>.
 New from Ruland: Mountable Shaft Collars, posted at Motion Control Resources, posting date Jan. 22, 2018. Site visited Jun. 3, 2020. URL: <https://www.motioncontrolonline.org/content-detail.cfm/Motion-Control-News/New-from-Ruland-Mountable-shaft-collars/content_id/2315> (Year: 2018).

* cited by examiner

FIG. 1

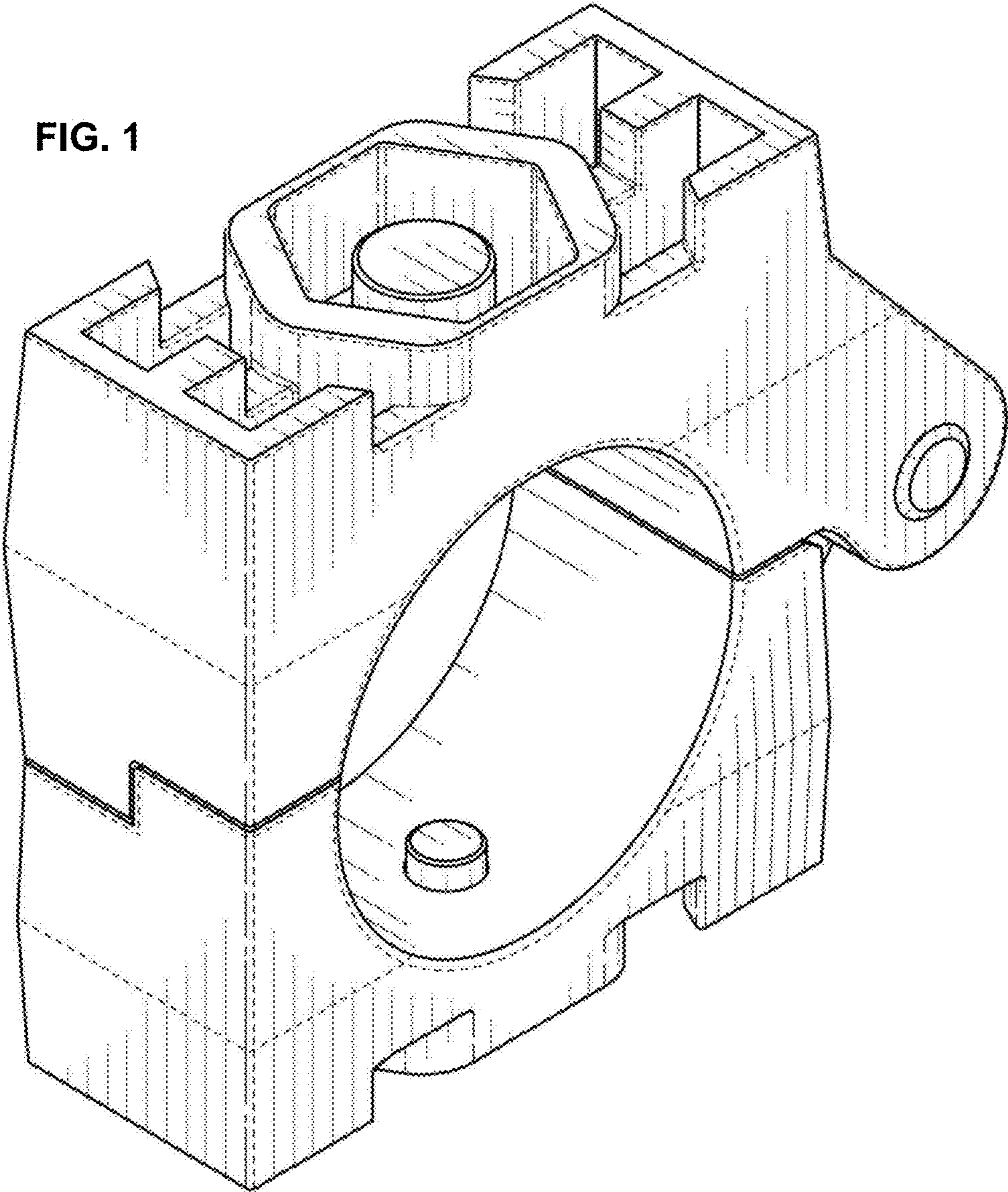
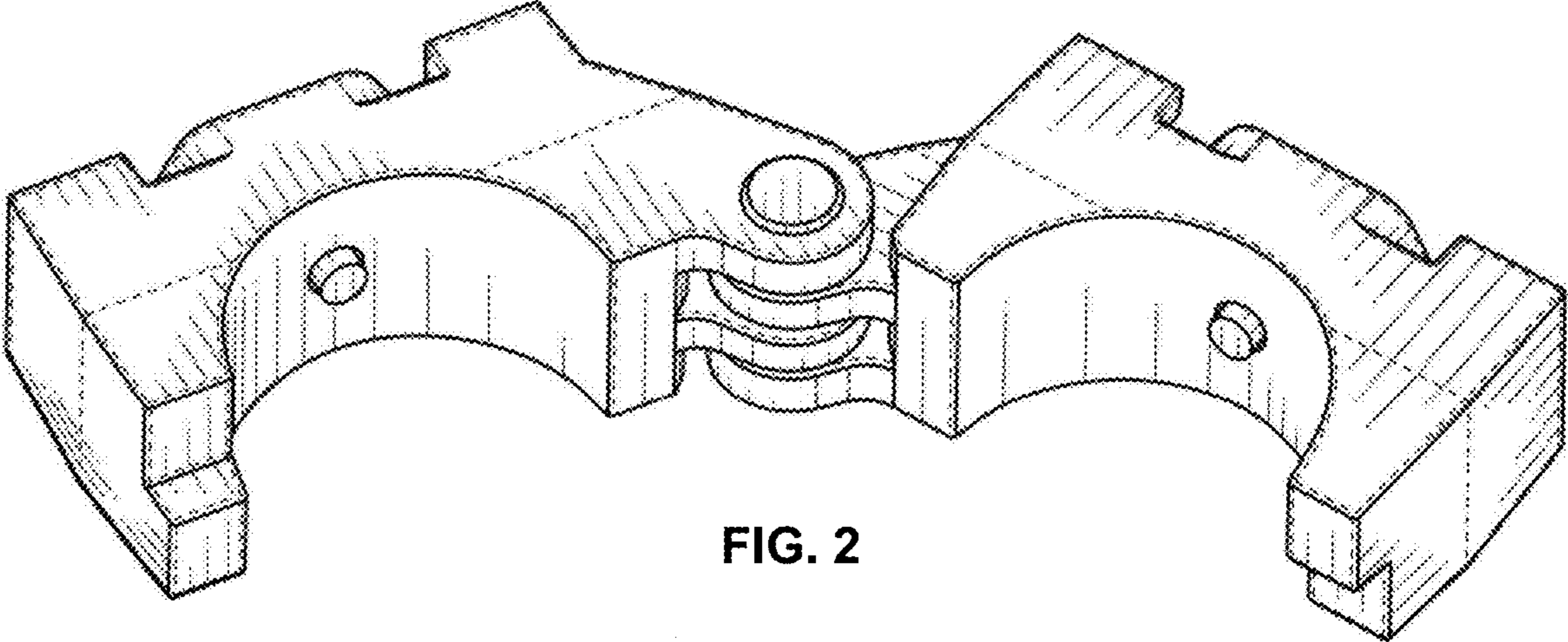


FIG. 2



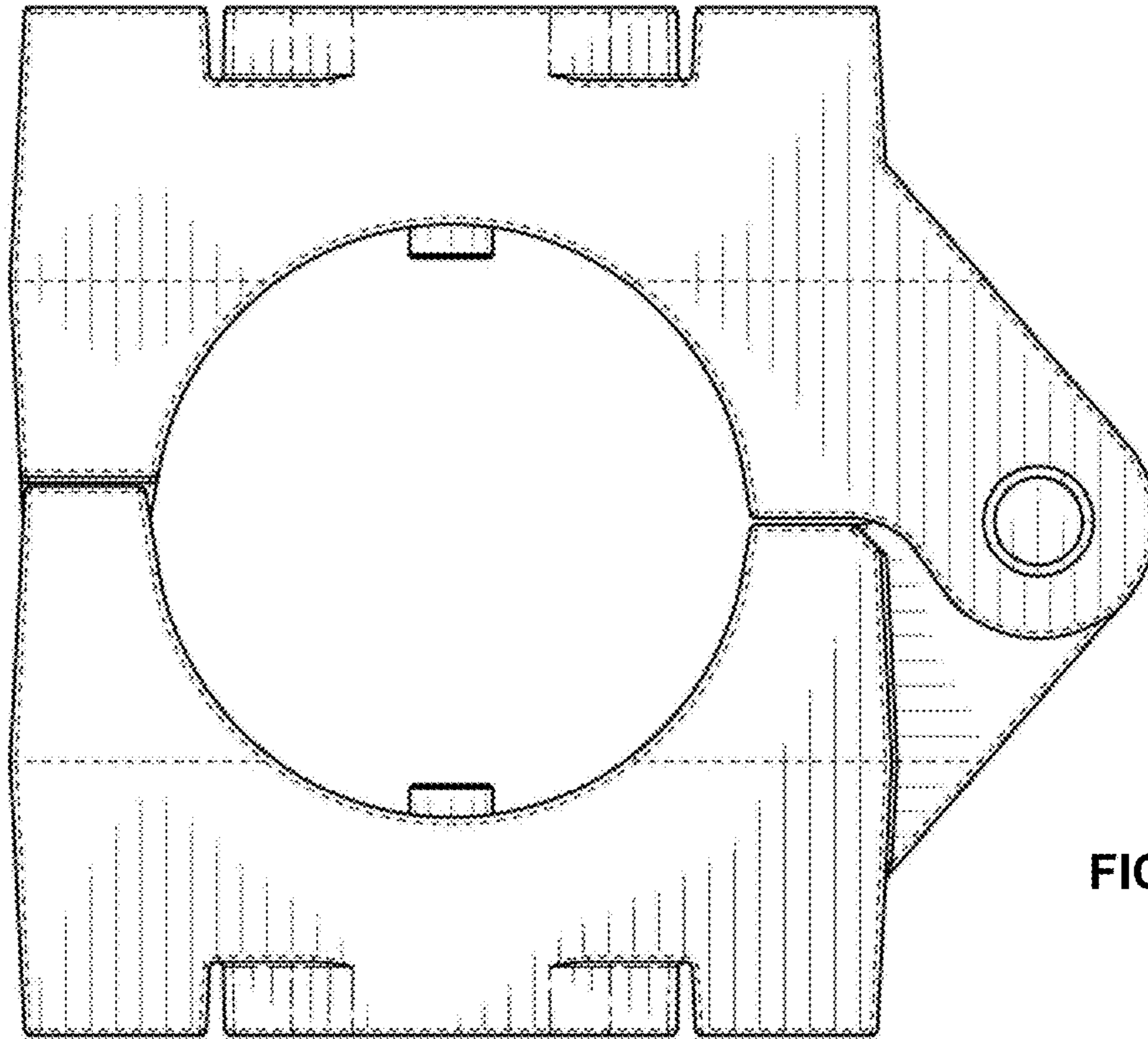


FIG. 3

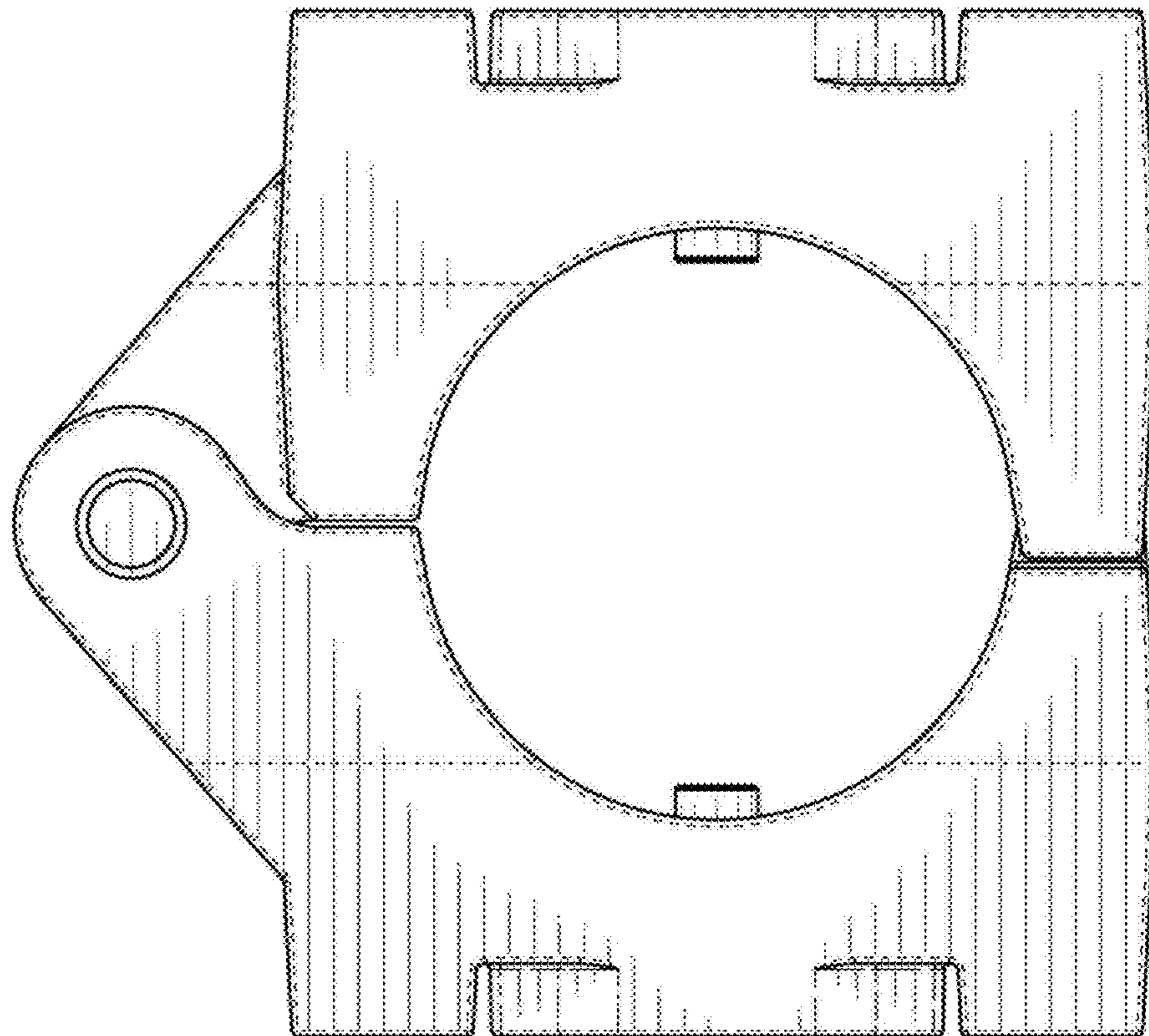


FIG. 4

FIG. 5

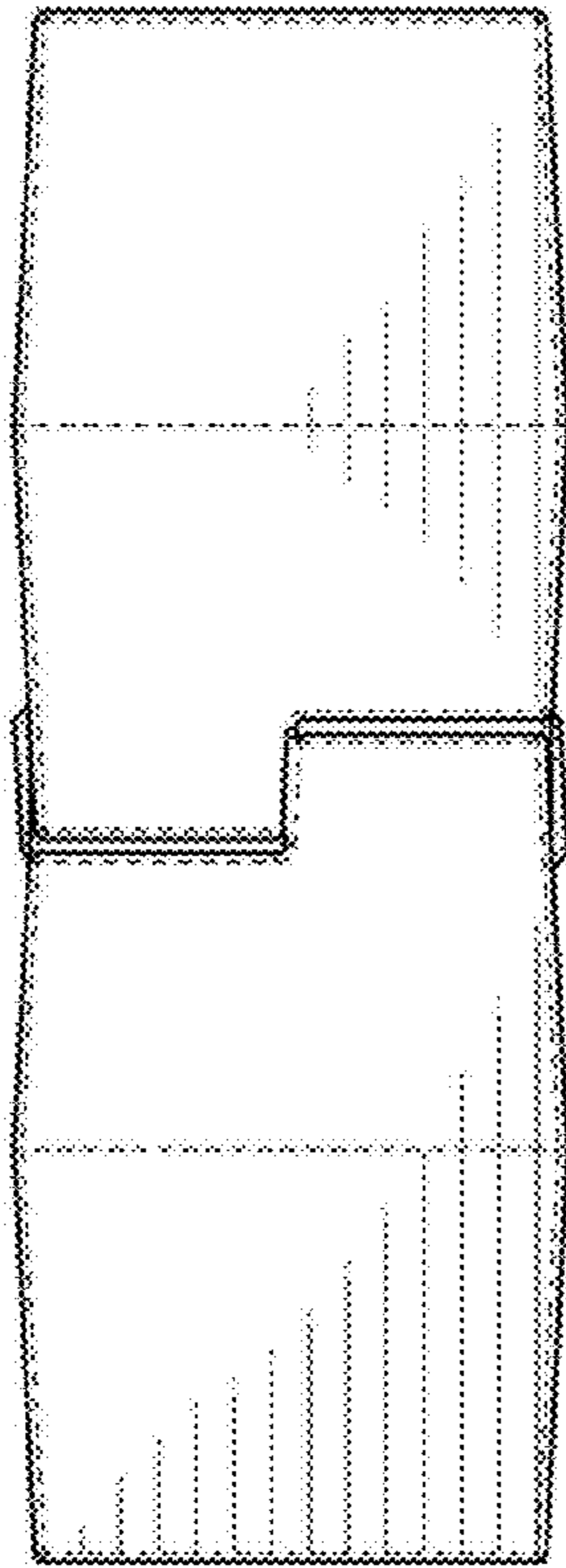


FIG. 6

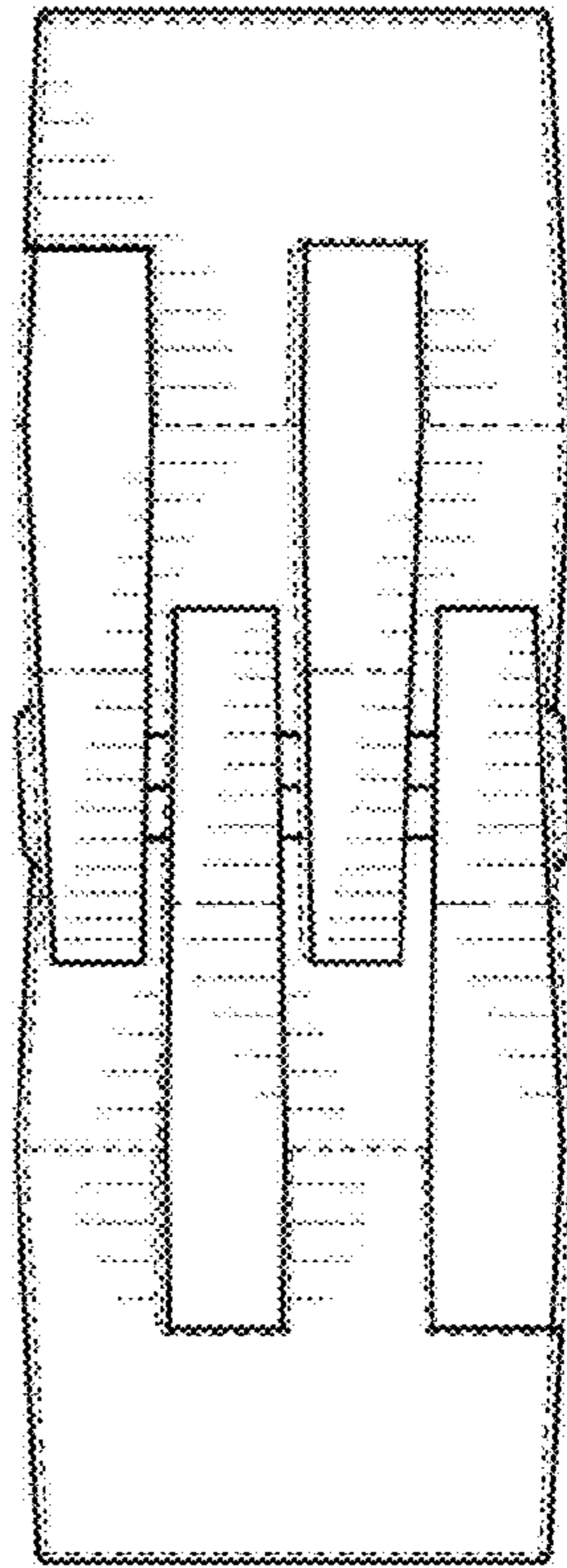


FIG. 7

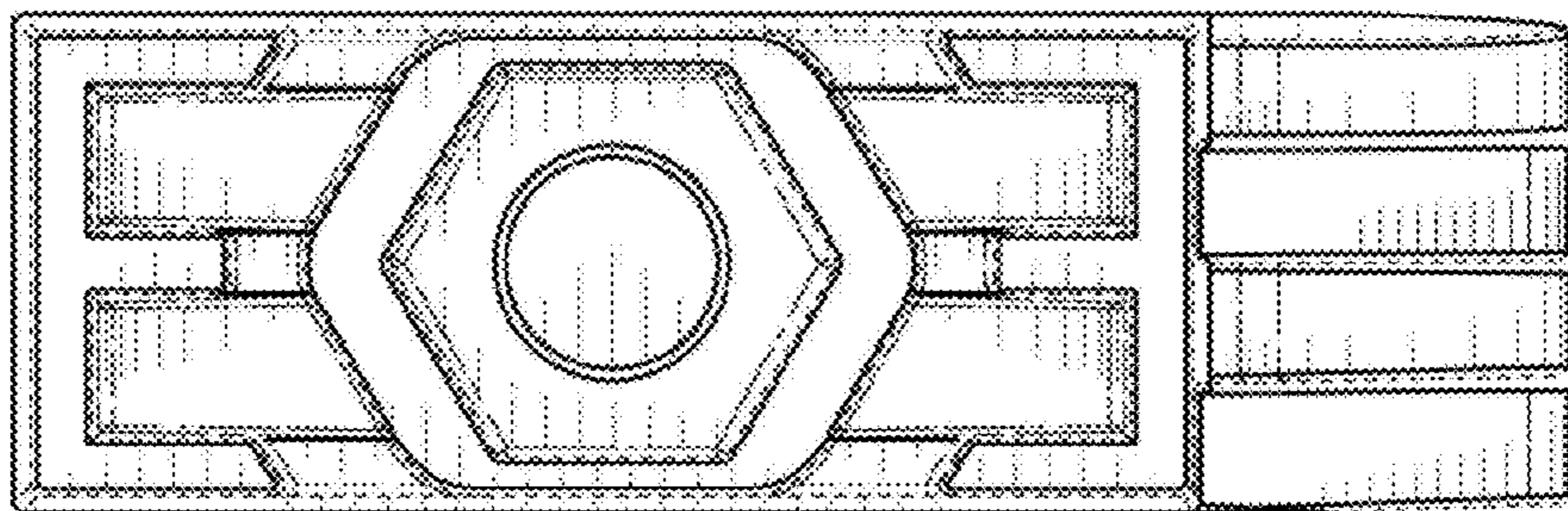
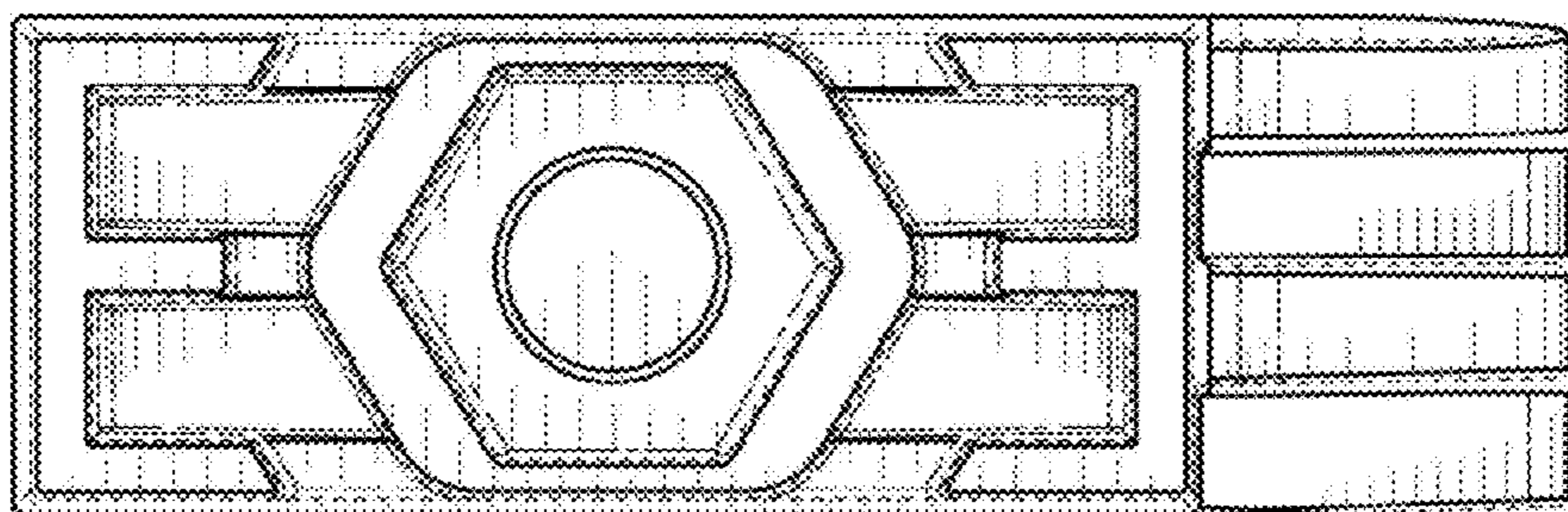


FIG. 8



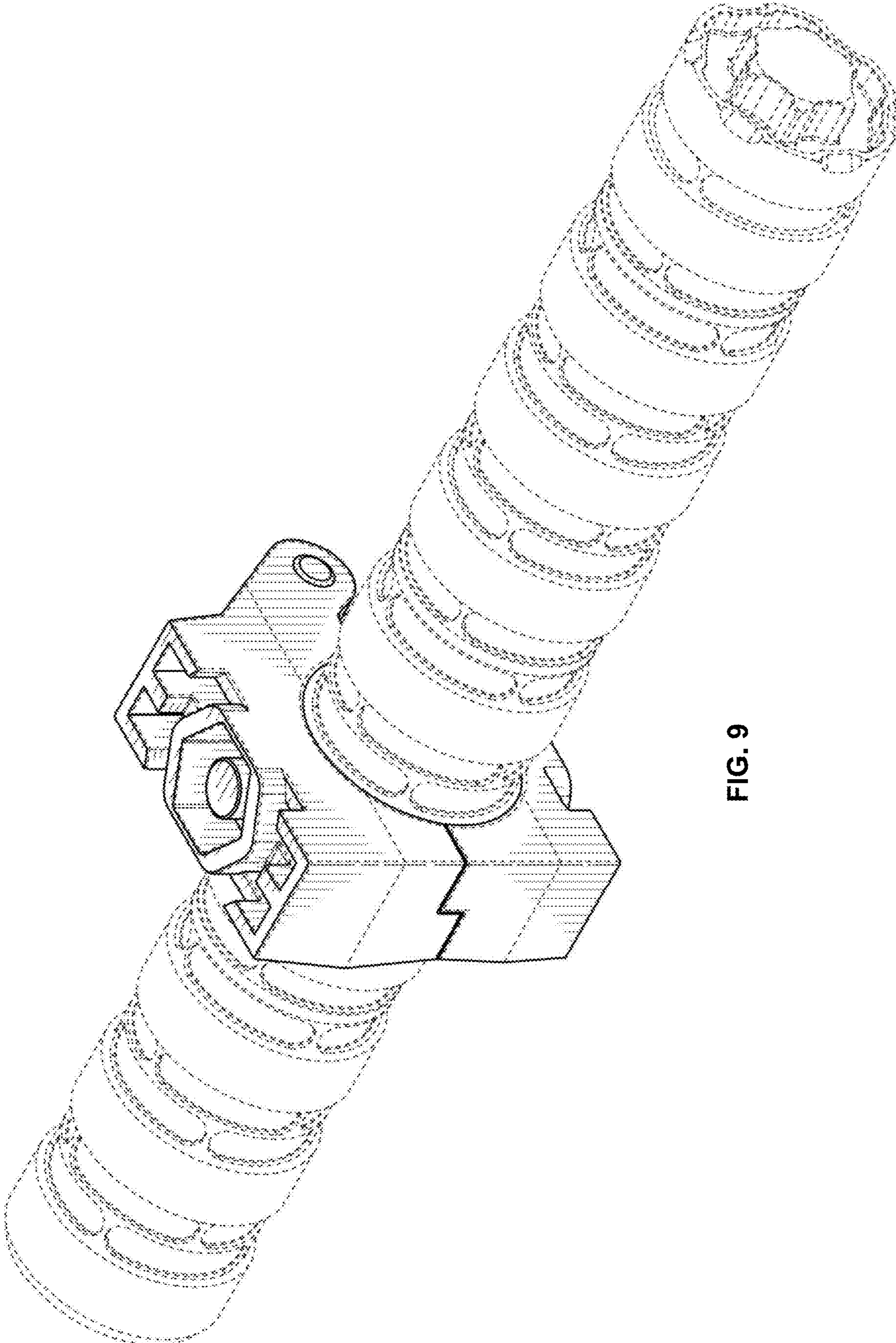


FIG. 9

FIG. 10

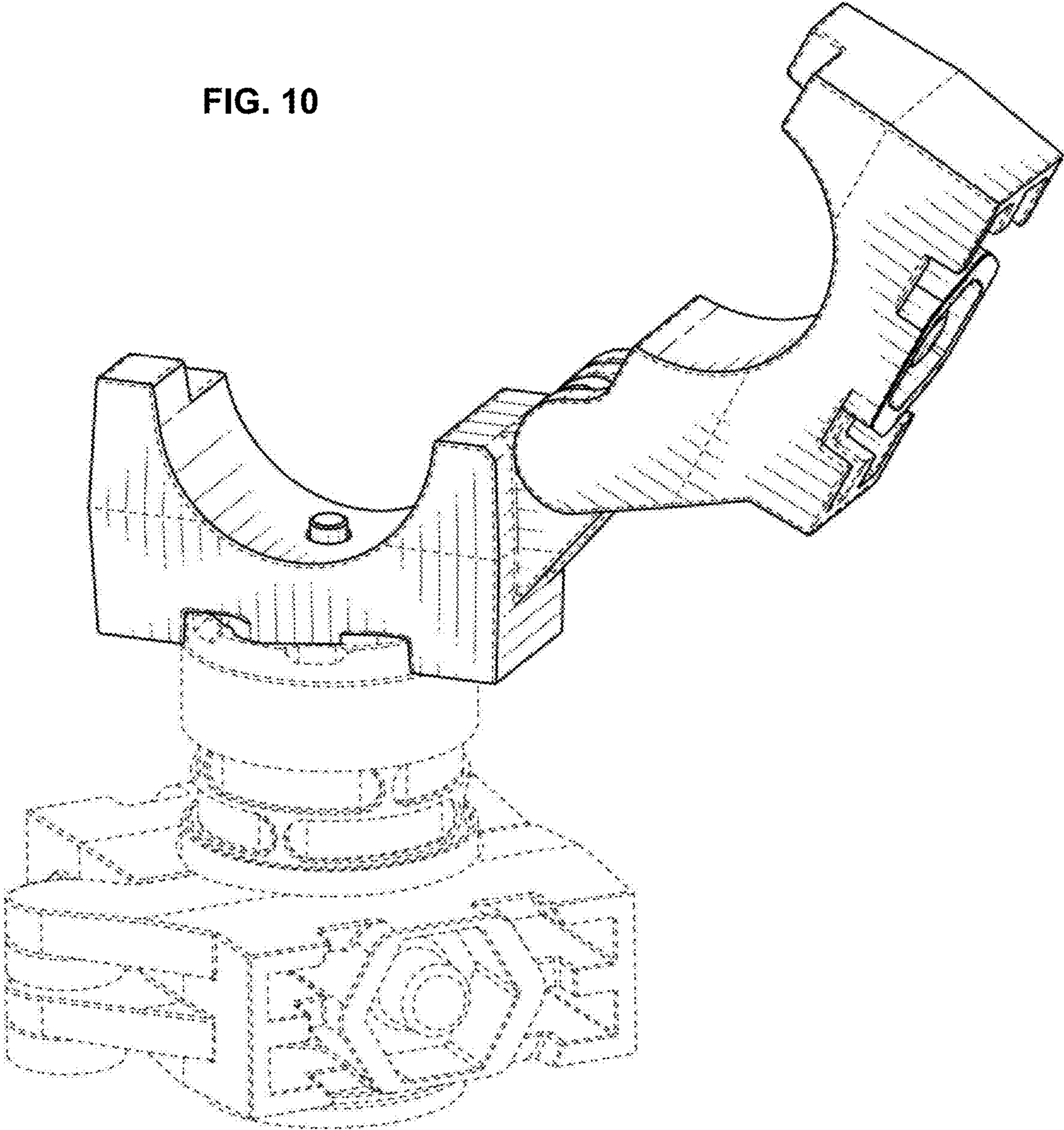


FIG. 11

