



US00D931399S

(12) **United States Design Patent**  
**Li**

(10) **Patent No.:** **US D931,399 S**

(45) **Date of Patent:** **\*\* Sep. 21, 2021**

(54) **FLOAT INFLATABLE LOUNGE**  
(71) Applicant: **Yuansong Li**, Guangdong (CN)  
(72) Inventor: **Yuansong Li**, Guangdong (CN)

(\*\*) Term: **15 Years**

(21) Appl. No.: **29/750,696**

(22) Filed: **Sep. 16, 2020**

(51) **LOC (13) Cl.** ..... **21-02**

(52) **U.S. Cl.**  
USPC ..... **D21/803**

(58) **Field of Classification Search**  
USPC ..... D21/801, 803, 808, 809; D6/595, 596,  
D6/597, 598, 601  
CPC ..... B63B 32/20; B63B 32/22; B63B 32/51;  
B63B 32/54; B63B 35/58; B63B 35/607;  
B63B 35/613; B63B 35/62  
See application file for complete search history.

D554,224 S 10/2007 Peterson  
D615,606 S \* 5/2010 Eagan ..... D21/803  
7,955,226 B2 \* 6/2011 Dauben ..... A63B 31/00  
482/55  
D679,770 S \* 4/2013 Berenson ..... D21/803  
D863,484 S \* 10/2019 de Grasse ..... D21/803  
D875,420 S \* 2/2020 Furuland ..... D6/390  
D913,395 S \* 3/2021 Joseph ..... D21/803  
D913,396 S \* 3/2021 Joseph ..... D21/803  
D913,398 S \* 3/2021 Joseph ..... D21/803  
D914,824 S \* 3/2021 Cirjak ..... D21/803

\* cited by examiner

*Primary Examiner* — Zenia I Bennett

(57) **CLAIM**

The ornamental design for a float inflatable lounge, as shown and described.

**DESCRIPTION**

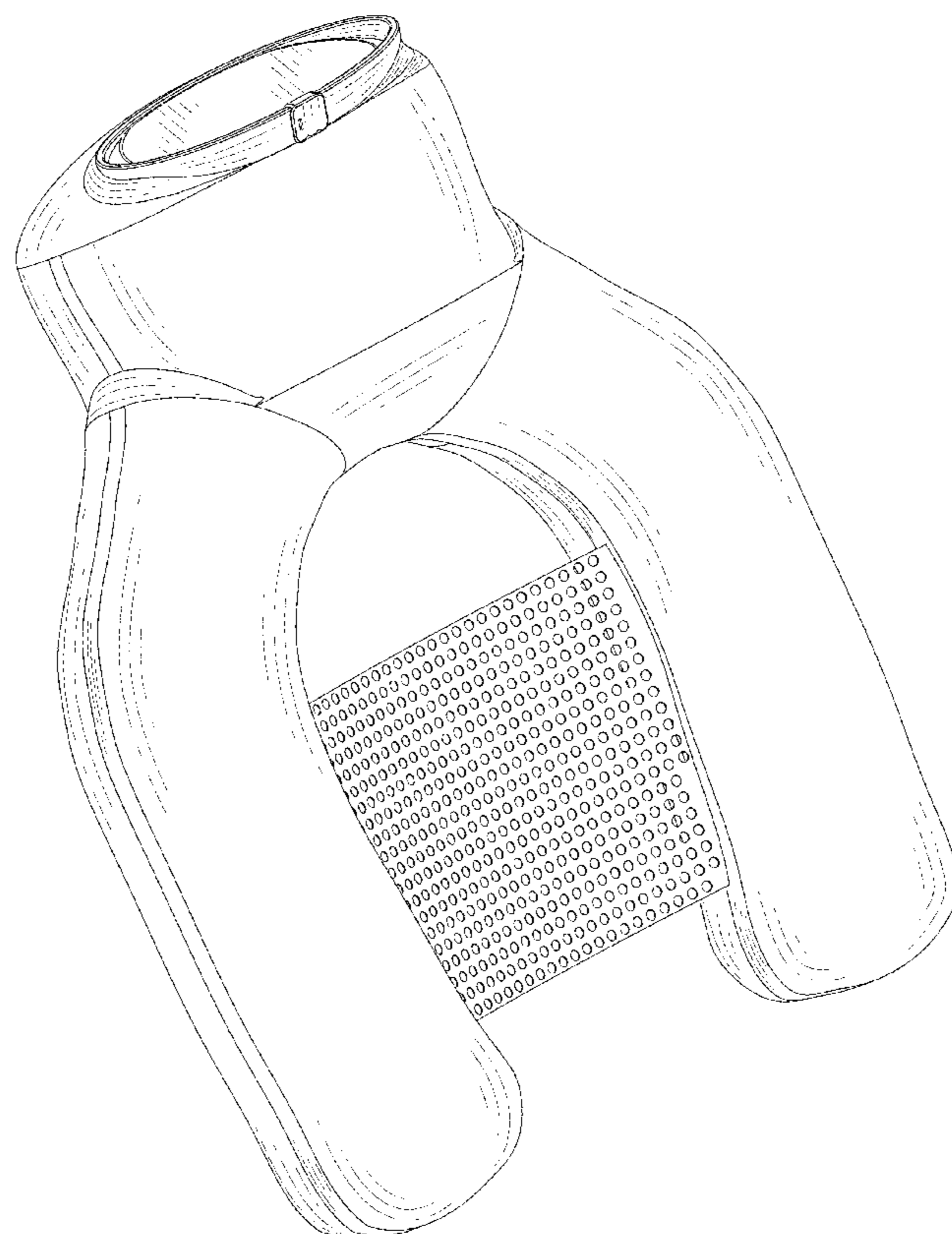
FIG. 1 is a perspective view of a float inflatable lounge showing my new design;  
FIG. 2 is a front elevational view thereof;  
FIG. 3 is a rear elevational view thereof;  
FIG. 4 is a left side elevational view thereof;  
FIG. 5 is a right side elevational view thereof;  
FIG. 6 is a top plan view thereof; and,  
FIG. 7 is a bottom plan view thereof.

**1 Claim, 7 Drawing Sheets**

(56) **References Cited**

**U.S. PATENT DOCUMENTS**

D290,108 S \* 6/1987 Wolfe ..... D12/316  
D406,299 S \* 3/1999 Huston ..... D21/803  
D421,085 S \* 2/2000 Fife ..... D21/801  
D433,826 S 11/2000 Linder  
D482,096 S 11/2003 Peterson  
D513,915 S 1/2006 Jacklin  
D529,979 S 10/2006 Peterson  
D549,297 S \* 8/2007 Eagan ..... D21/803



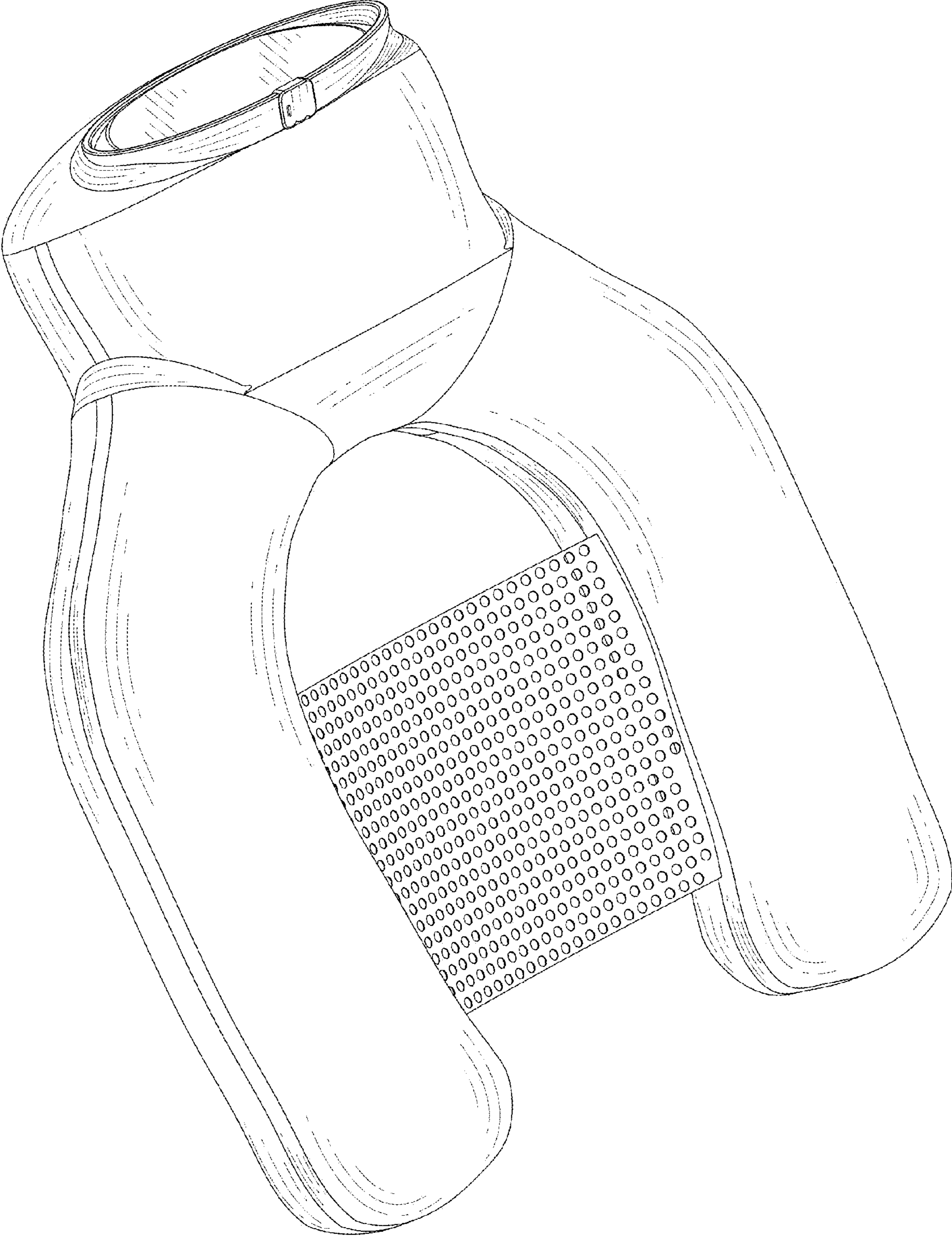


FIG.1

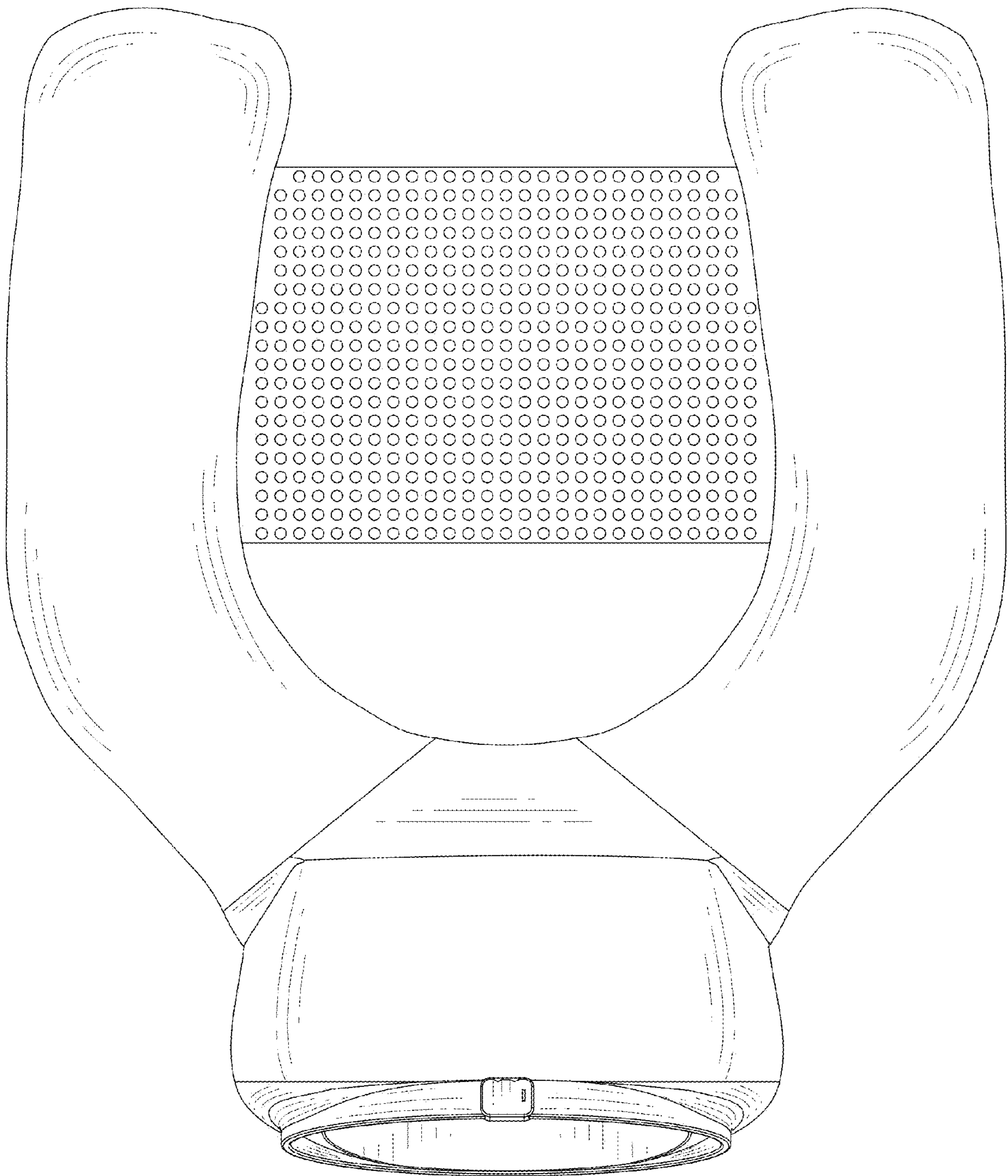


FIG.2

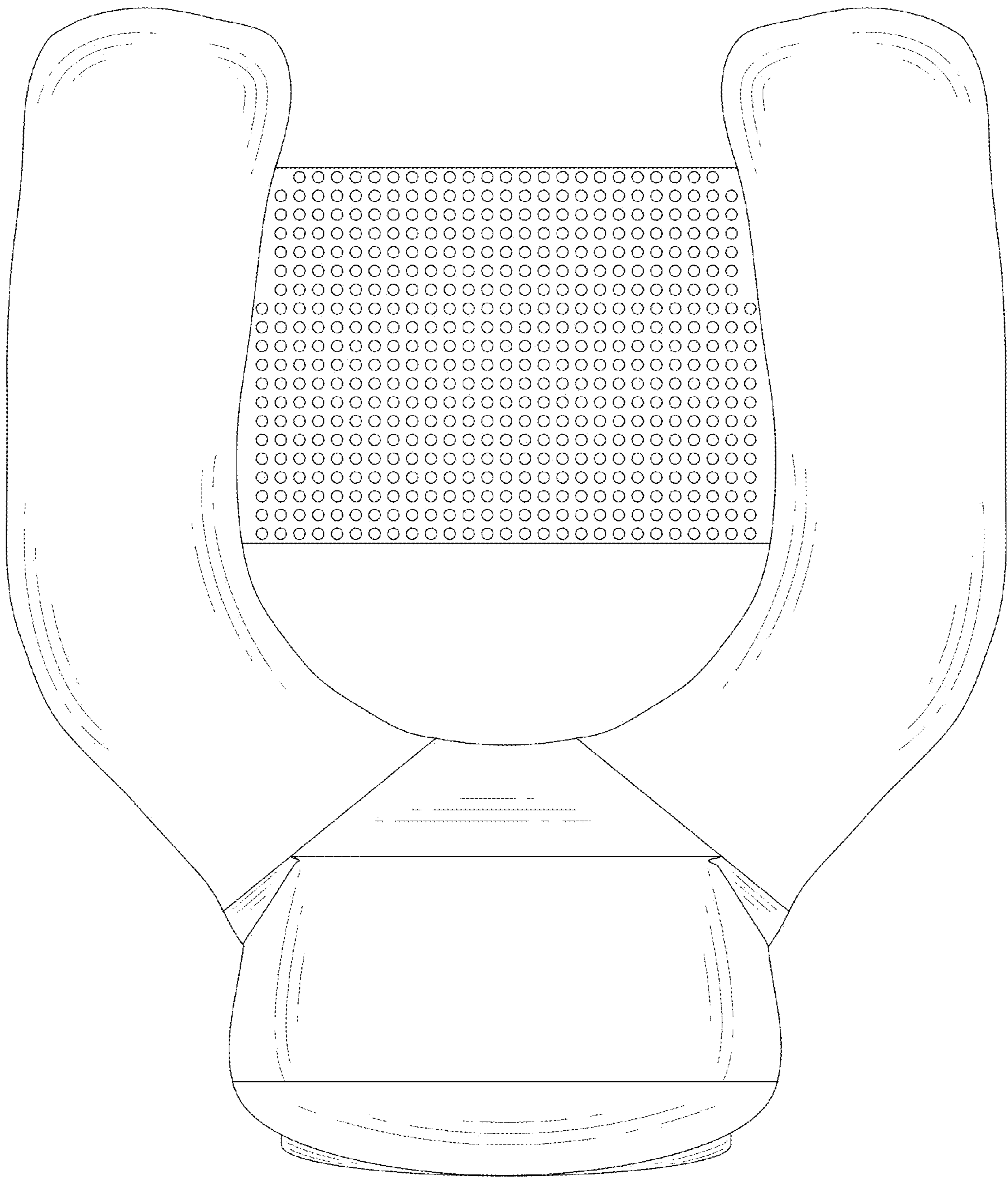


FIG.3

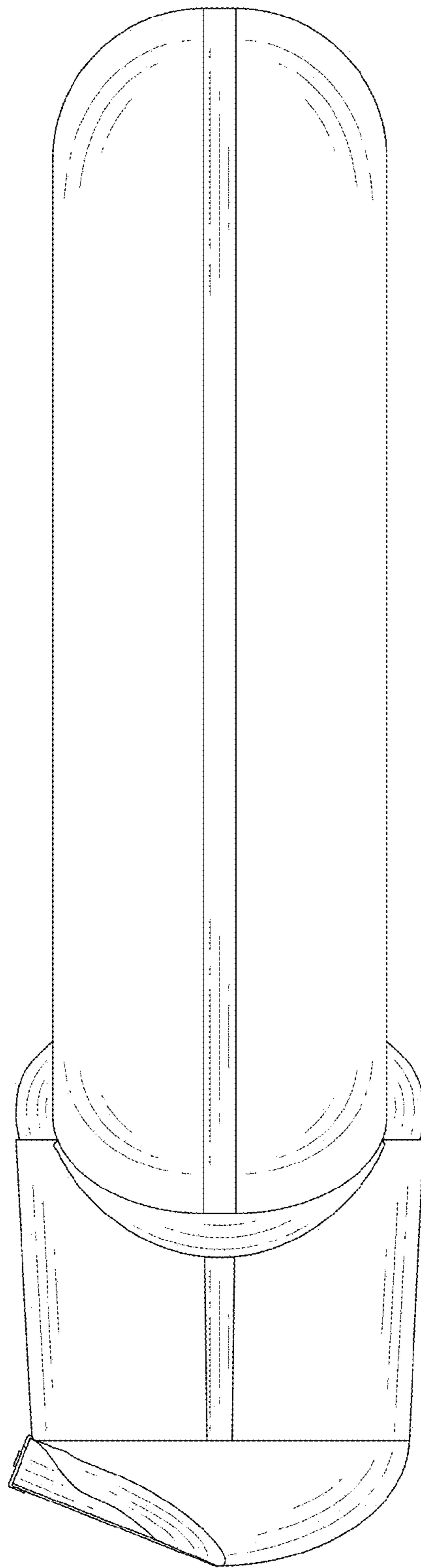


FIG.4

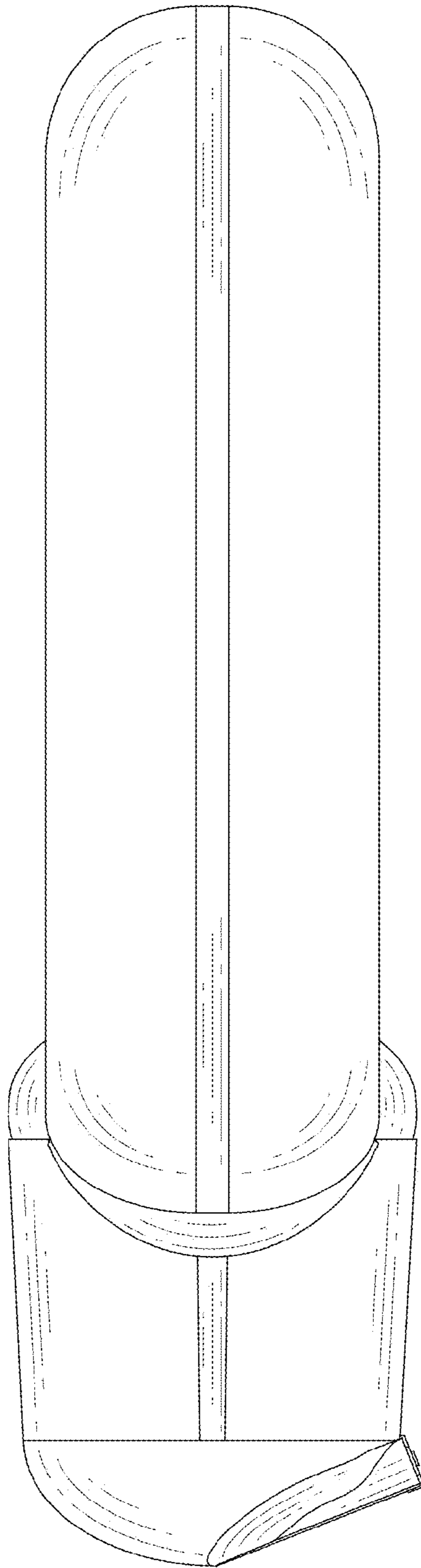


FIG.5

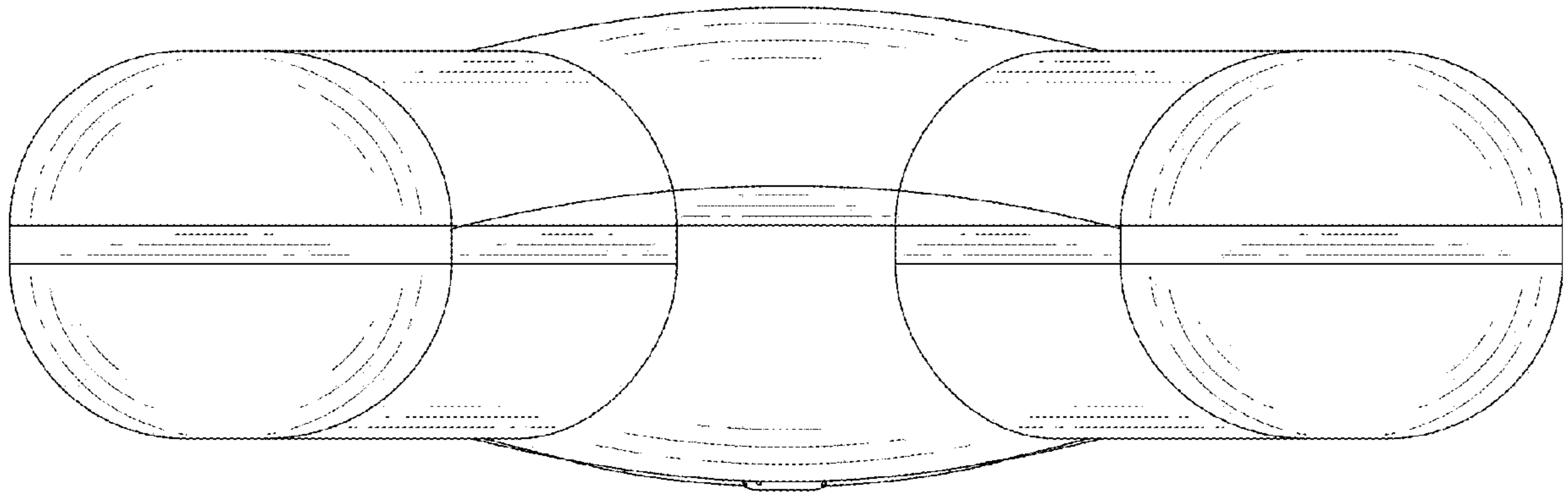


FIG.6

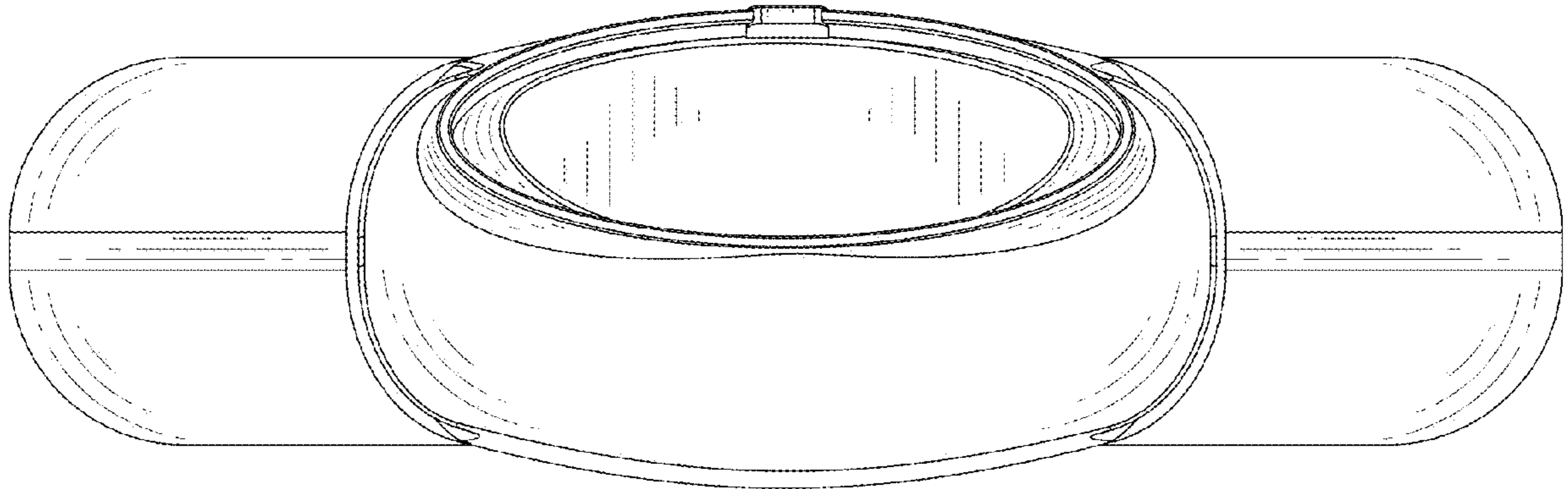


FIG.7